



US00D480225S

(12) **United States Design Patent**
Nicoletti

(10) **Patent No.:** **US D480,225 S**

(45) **Date of Patent:** **** Oct. 7, 2003**

- (54) **SOFA**
- (75) **Inventor:** **Giuseppe Nicoletti, Matera (IT)**
- (73) **Assignee:** **Nicoletti S.p.A., Matera (IT)**
- (**) **Term:** **14 Years**
- (21) **Appl. No.:** **29/168,023**
- (22) **Filed:** **Sep. 26, 2002**
- (30) **Foreign Application Priority Data**
Mar. 26, 2002 (IT) RM2002O0073
- (51) **LOC (7) Cl.** **06-01**
- (52) **U.S. Cl.** **D6/361; D6/381**
- (58) **Field of Search** D6/334, 335, 361,
D6/364, 371, 377, 381, 382, 500, 501,
502; 5/53.1, 279.1, 280, 281; 297/232

- (56) **References Cited**
U.S. PATENT DOCUMENTS
D96,379 S * 7/1935 Freedman D6/361
D144,677 S * 5/1946 Billet et al. D6/361

- D269,482 S * 6/1983 Ungaro D6/361
- D308,141 S * 5/1990 Genova et al. D6/334
- D399,663 S * 10/1998 Vu D6/361
- D406,473 S * 3/1999 Lin et al. D6/361

* cited by examiner

Primary Examiner—Gary D. Watson
(74) *Attorney, Agent, or Firm*—Browdy and Neimark, P.L.L.C.

(57) **CLAIM**

The ornamental design for a sofa, as shown and described.

DESCRIPTION

FIG. 1 is a perspective view from the top and right side of a sofa in accordance with the present design;
FIG. 2 is a perspective view from the left side thereof;
FIG. 3 is a perspective view from the front and top side thereof; and,
FIG. 4 is a perspective view from the rear thereof.
The bottom of the sofa is not illustrated and forms no part of the present design.

1 Claim, 2 Drawing Sheets

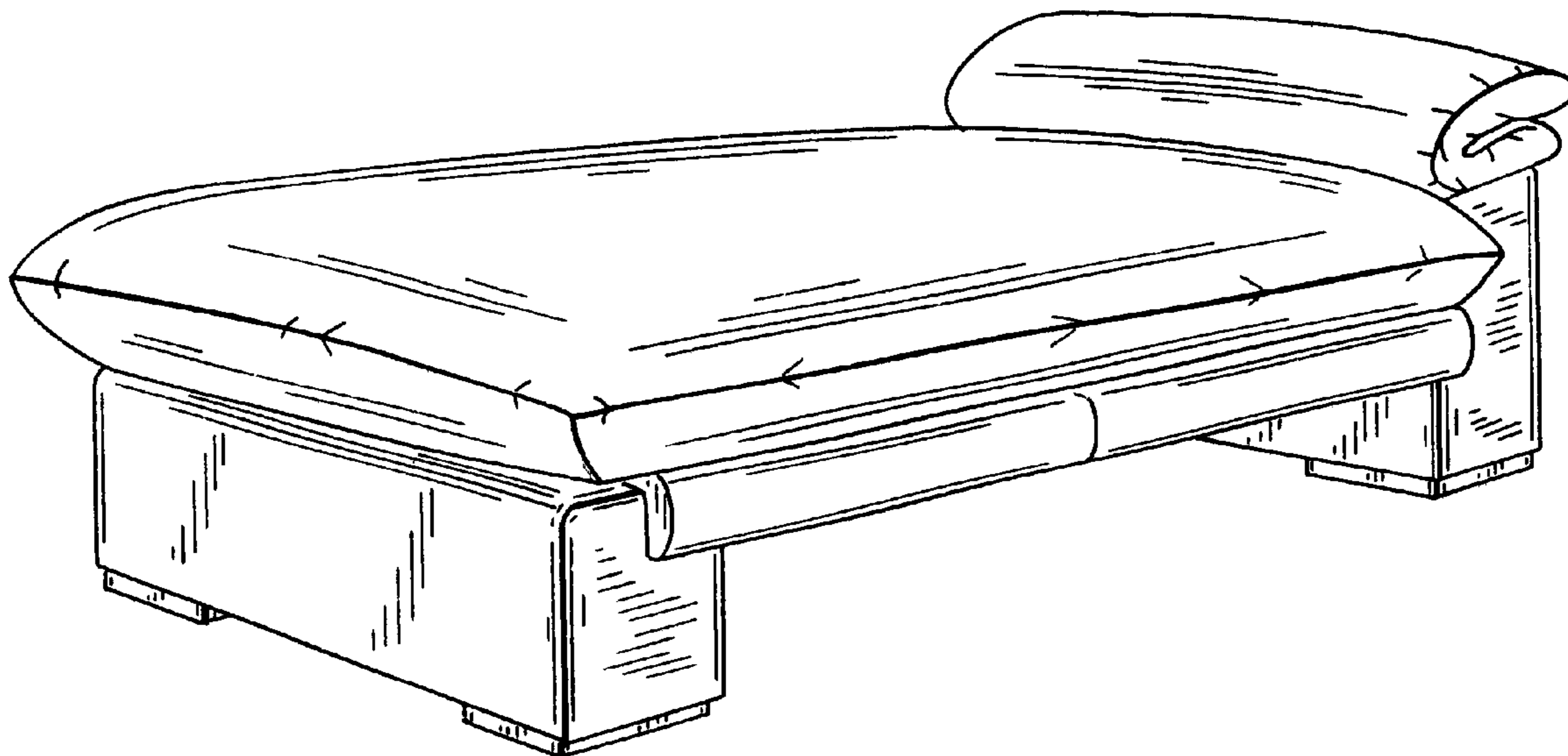


FIG. 1

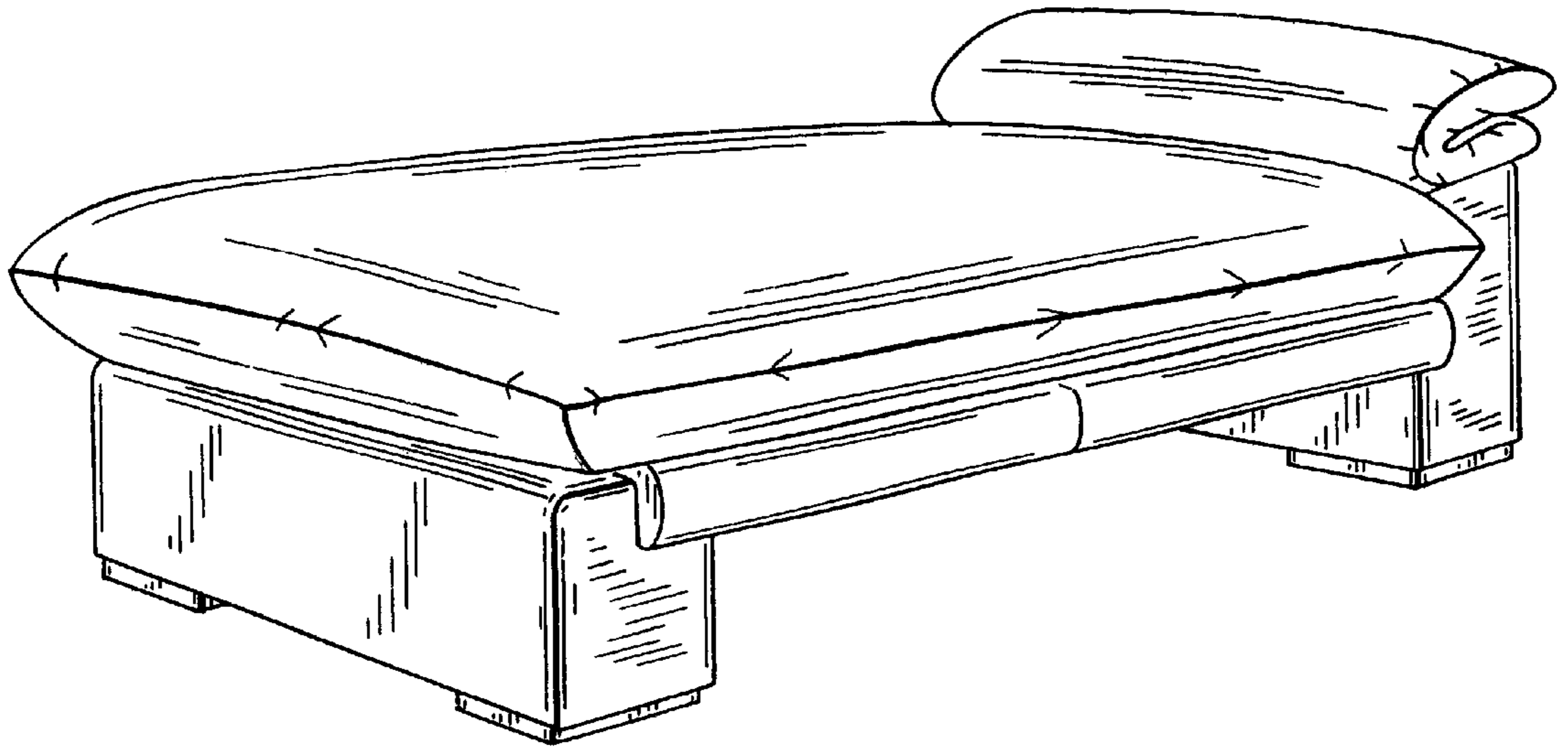


FIG. 2

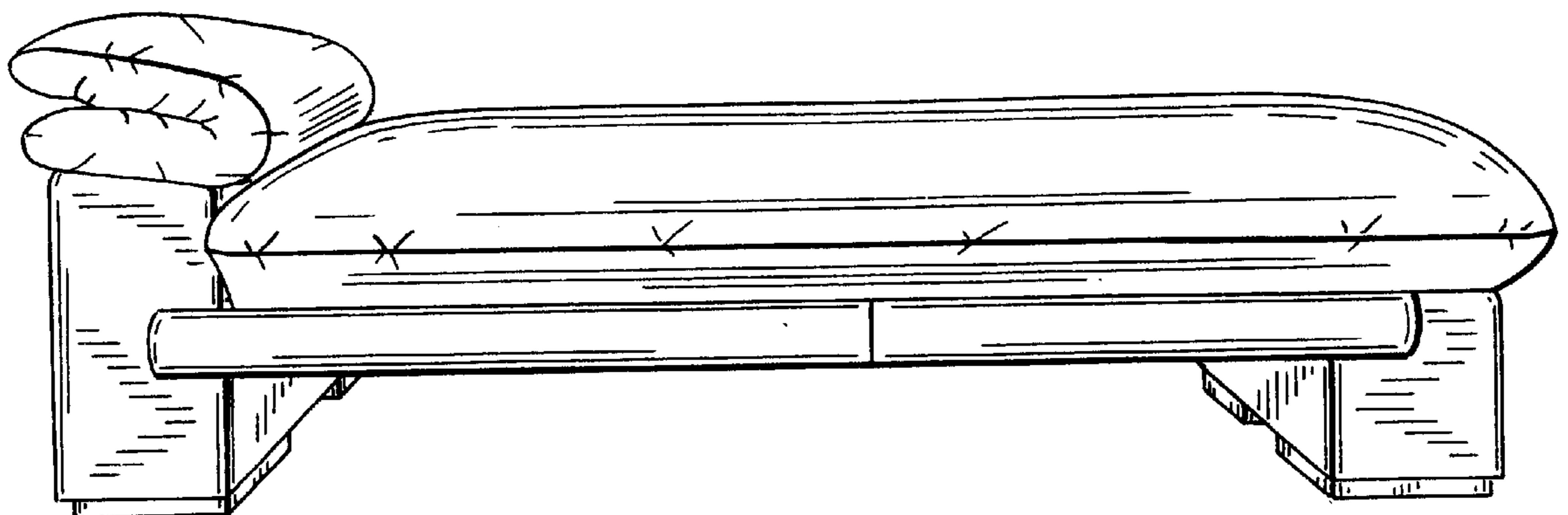


FIG. 3

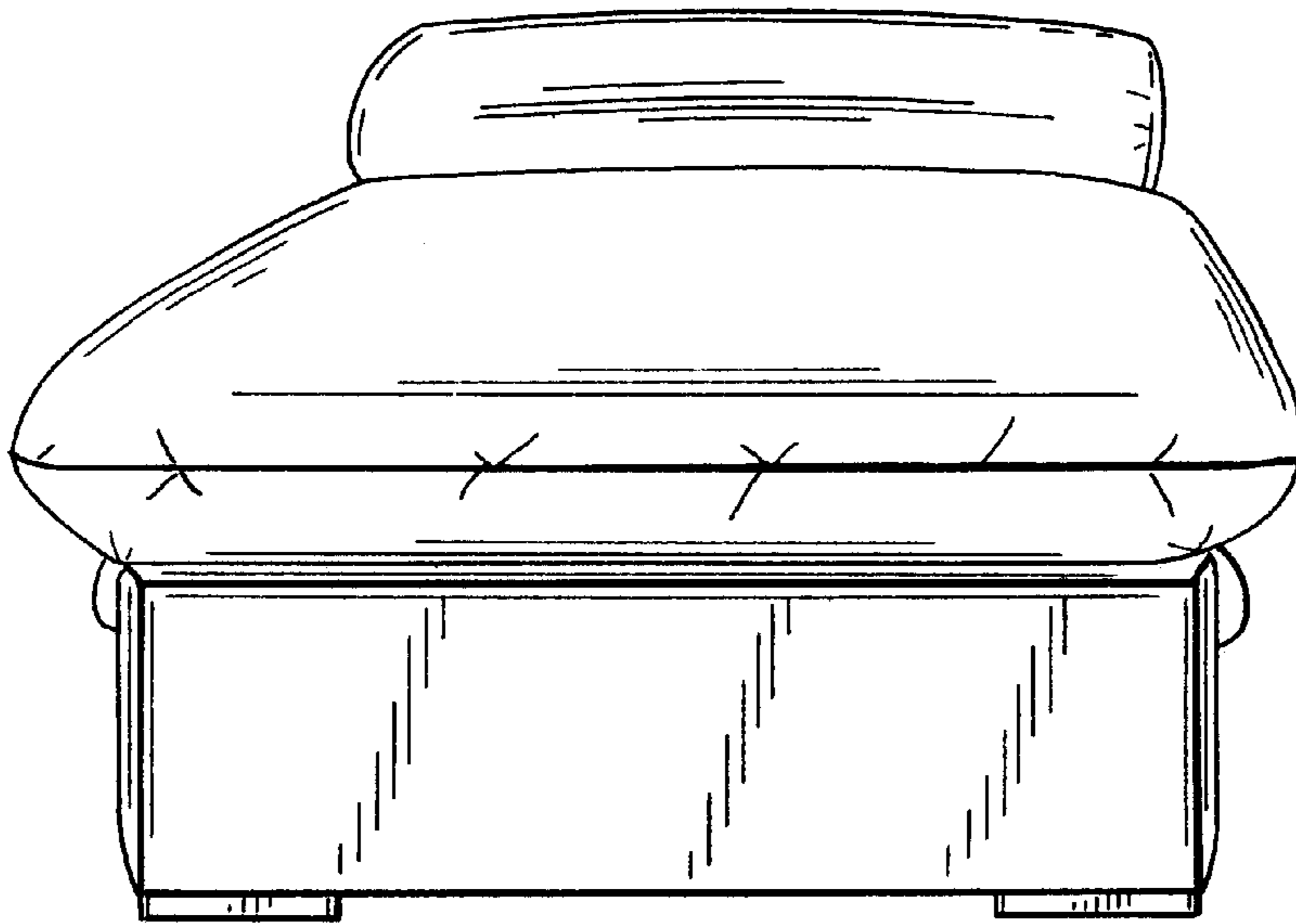


FIG. 4

