



US00D480224S

(12) **United States Design Patent**  
**Ware et al.**

(10) **Patent No.:** **US D480,224 S**

(45) **Date of Patent:** **\*\* Oct. 7, 2003**

(54) **SWING**

(75) Inventors: **Harold L. Ware**, 1435 Lakehurst, Ada, OK (US) 74820; **Dennis R. Beecham**, Lexington, TN (US)

(73) Assignee: **Harold L. Ware**, Ada, OK (US)

(\*\*) Term: **14 Years**

(21) Appl. No.: **29/175,830**

(22) Filed: **Feb. 10, 2003**

(51) **LOC (7) Cl.** ..... **06-01**

(52) **U.S. Cl.** ..... **D6/347**

(58) **Field of Search** ..... D6/334, 335, 344, D6/346, 347, 370, 381, 500-502; D21/823, 825, 521; 248/370; 297/273, 277, 244; 472/118, 122, 125

(56) **References Cited**

**U.S. PATENT DOCUMENTS**

923,974 A	*	6/1909	Johnson	.....	297/273
1,157,458 A		10/1915	Thompson		
1,241,951 A	*	10/1917	Fremaux	.....	297/244
D80,736 S	*	3/1930	Lehman	.....	D6/347
D109,239 S	*	4/1938	Wolpin	.....	D6/370
D135,694 S	*	5/1943	Smith	.....	D6/347
D149,900 S	*	6/1948	Mock	.....	D6/346
2,665,744 A		1/1954	Hodgson		
D294,375 S	*	2/1988	Lowry	.....	D21/521
4,784,383 A	*	11/1988	Roberts	.....	472/125
5,120,071 A	*	6/1992	Thibault et al.	.....	D6/370
5,366,273 A	*	11/1994	Bresch	.....	297/452.63
5,749,623 A		5/1998	Mistry et al.		
D399,064 S	*	10/1998	Noll	.....	D6/344
D399,071 S	*	10/1998	Noll	.....	D6/370

D408,639 S \* 4/1999 Noll ..... D6/347

\* cited by examiner

*Primary Examiner*—Doris V. Coles

*Assistant Examiner*—Mimosa De

(74) *Attorney, Agent, or Firm*—Dunlap, Coddling & Rogers, P.C.

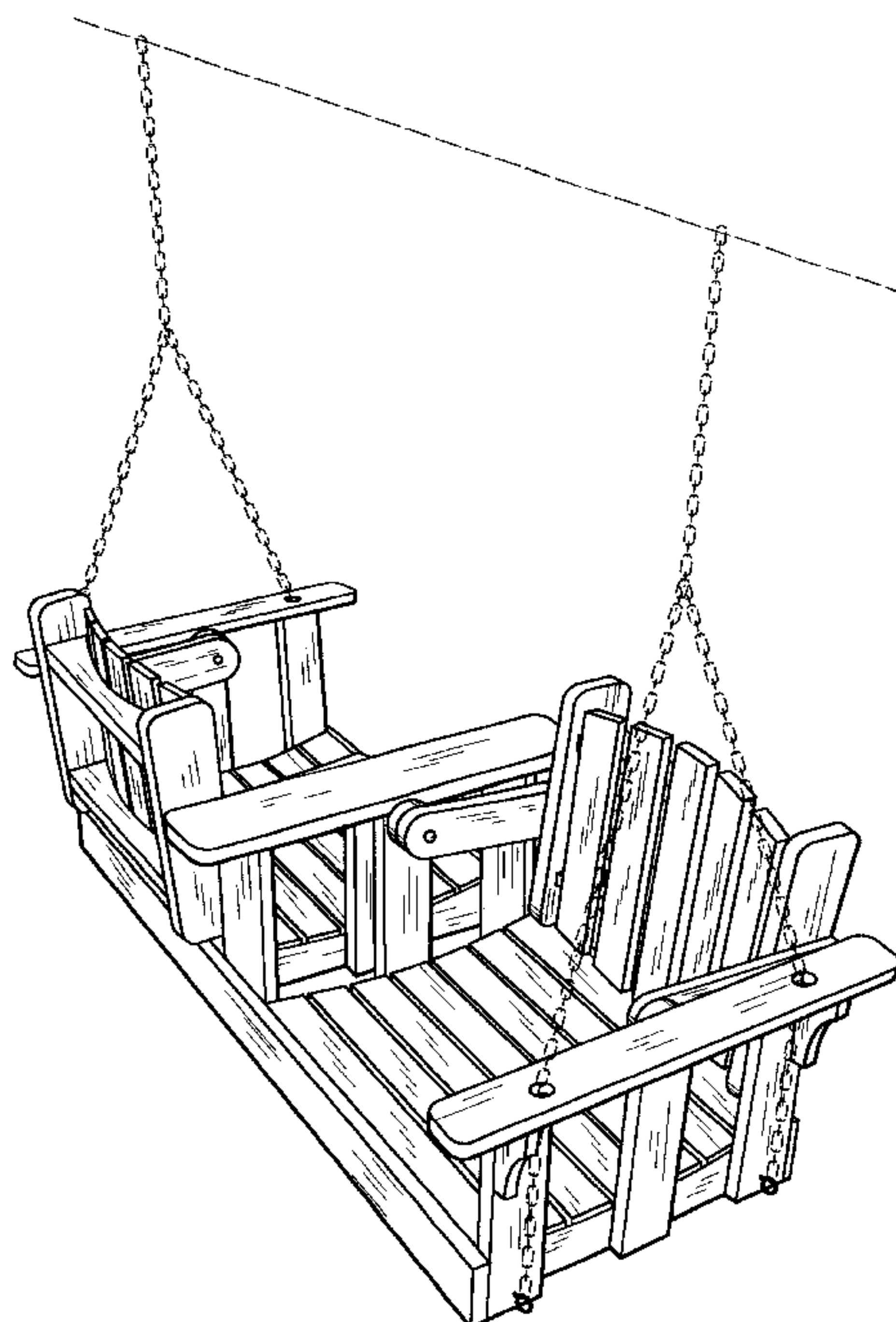
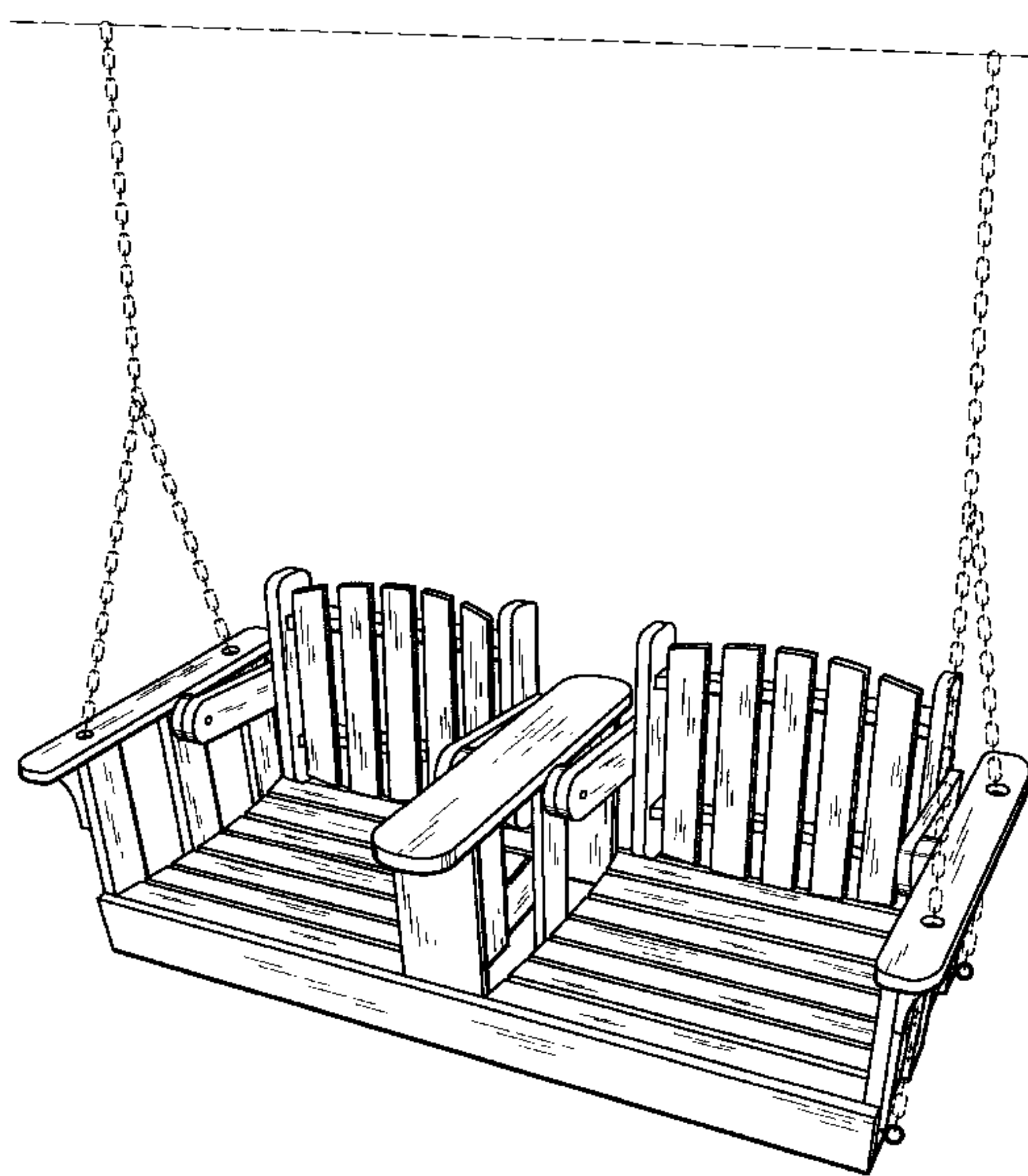
(57) **CLAIM**

The ornamental design for a swing, as shown and described.

**DESCRIPTION**

FIG. 1 is a perspective view of a first embodiment of a swing showing our new design, the swing being shown suspended from an overhead support by plurality of chains, which are shown in phantom for illustrative purposes only; FIG. 2 is a front elevational view thereof; FIG. 3 is a rear elevational view thereof; FIG. 4 is a top plan view thereof; FIG. 5 is a bottom plan view thereof; FIG. 6 is an elevational view of one side thereof, the opposite side being a mirror image thereof; FIG. 7 is a perspective view of a second embodiment wherein one back support assembly of the swing has been rotated to be in a facing relationship with the other back support assembly, the swing being shown suspended from an overhead support by a plurality of chains which are shown in phantom for illustrative purposes only; FIG. 8 is a front elevational view thereof, a rear elevational view being a mirror image thereof; FIG. 9 is a top plan view thereof; FIG. 10 is a bottom plan view thereof; and, FIG. 11 is an elevational view of one side thereof, the opposite side being a mirror image thereof.

**1 Claim, 6 Drawing Sheets**



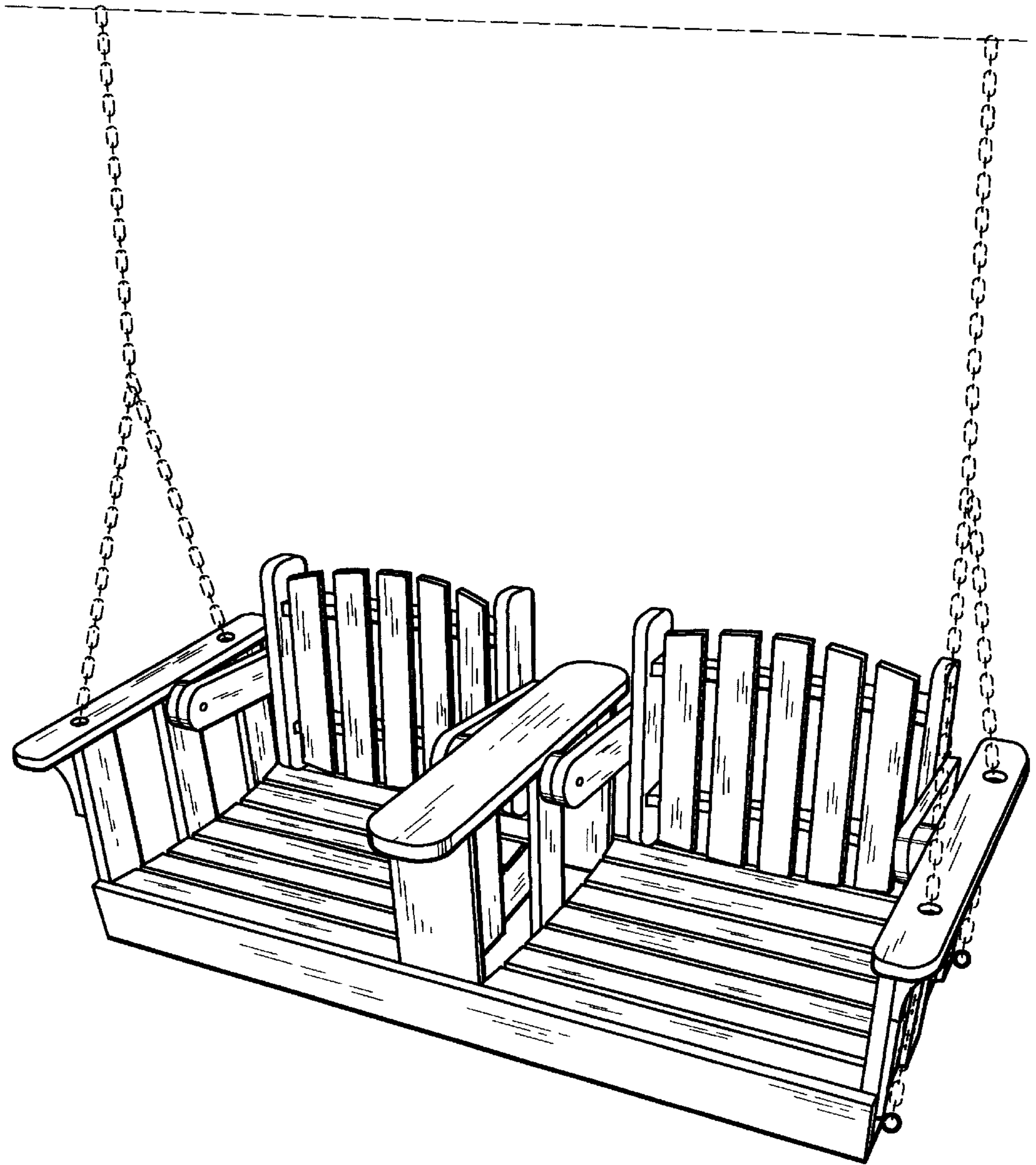


Fig. 1

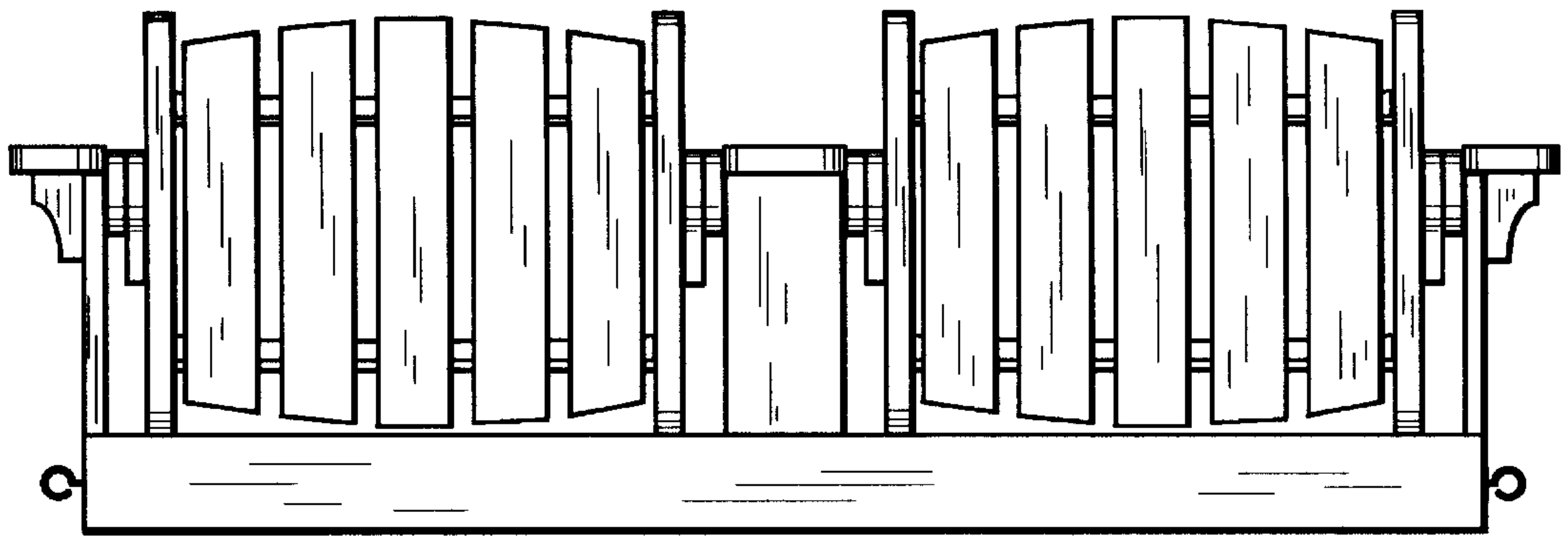


Fig. 2

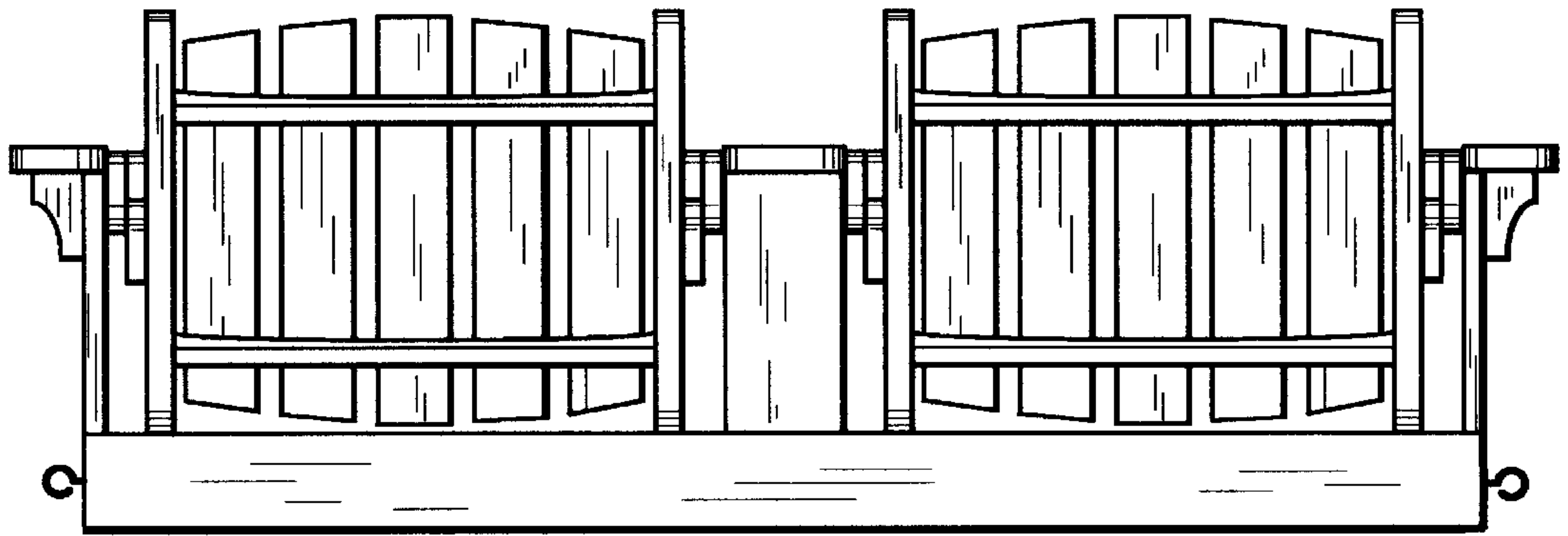


Fig. 3

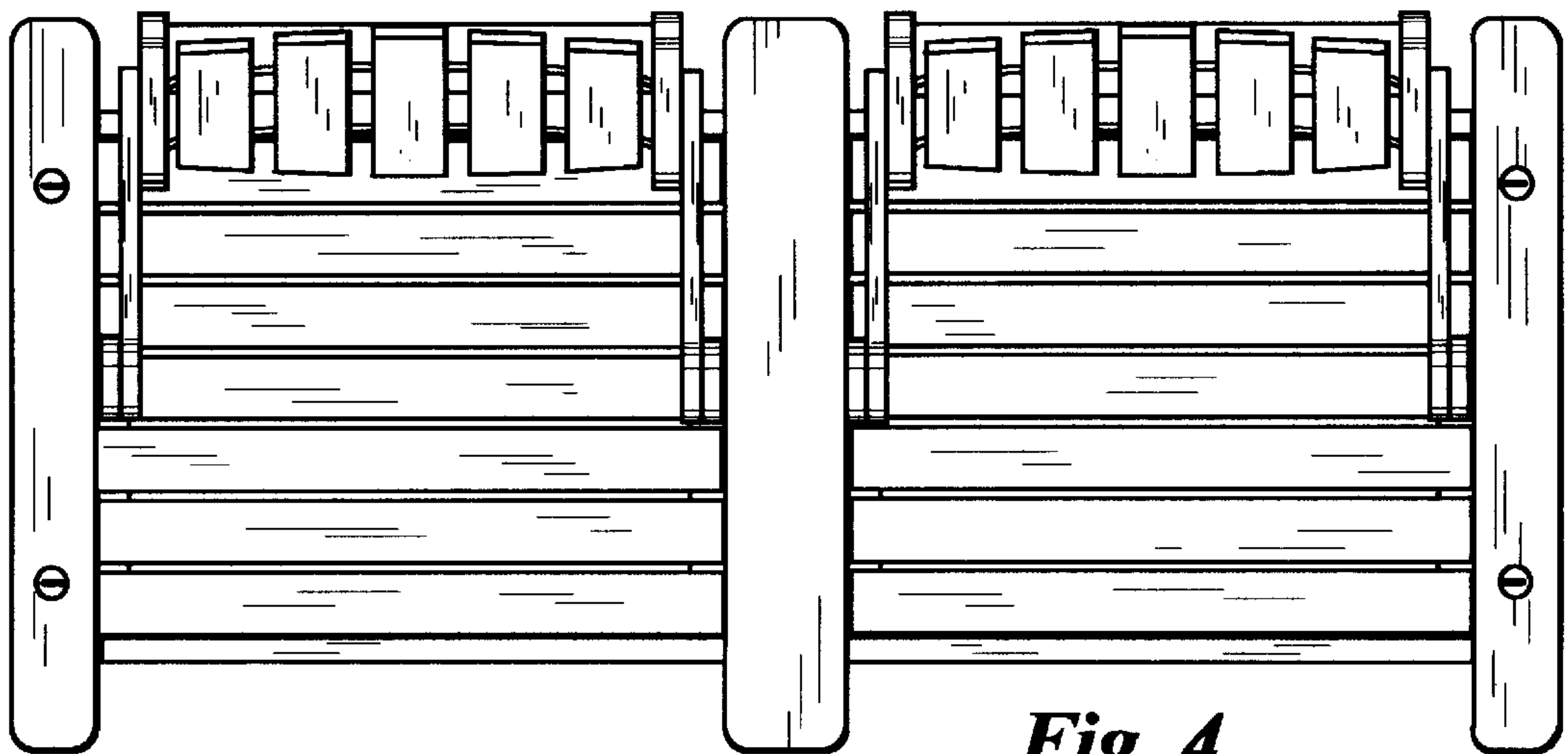


Fig. 4

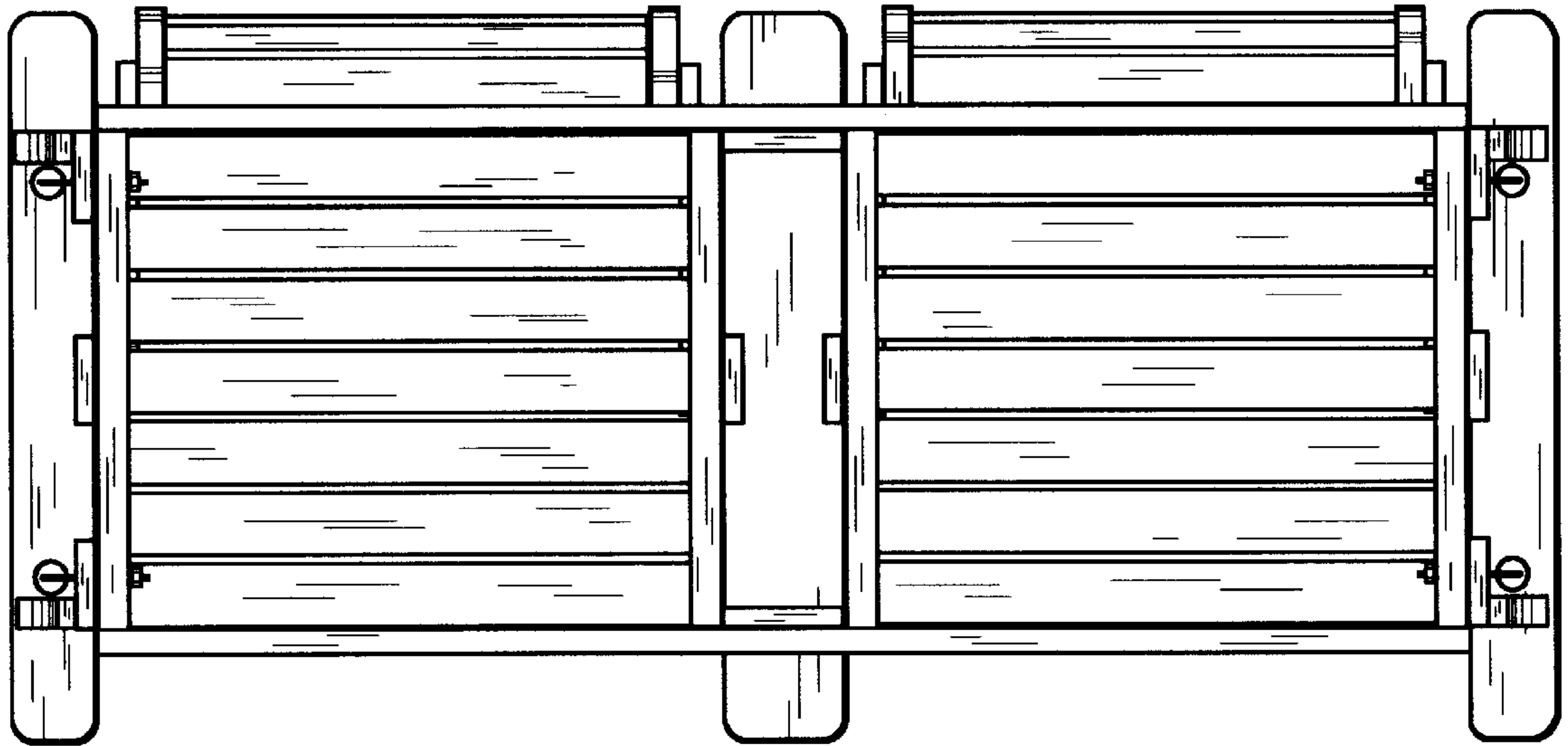


Fig. 5

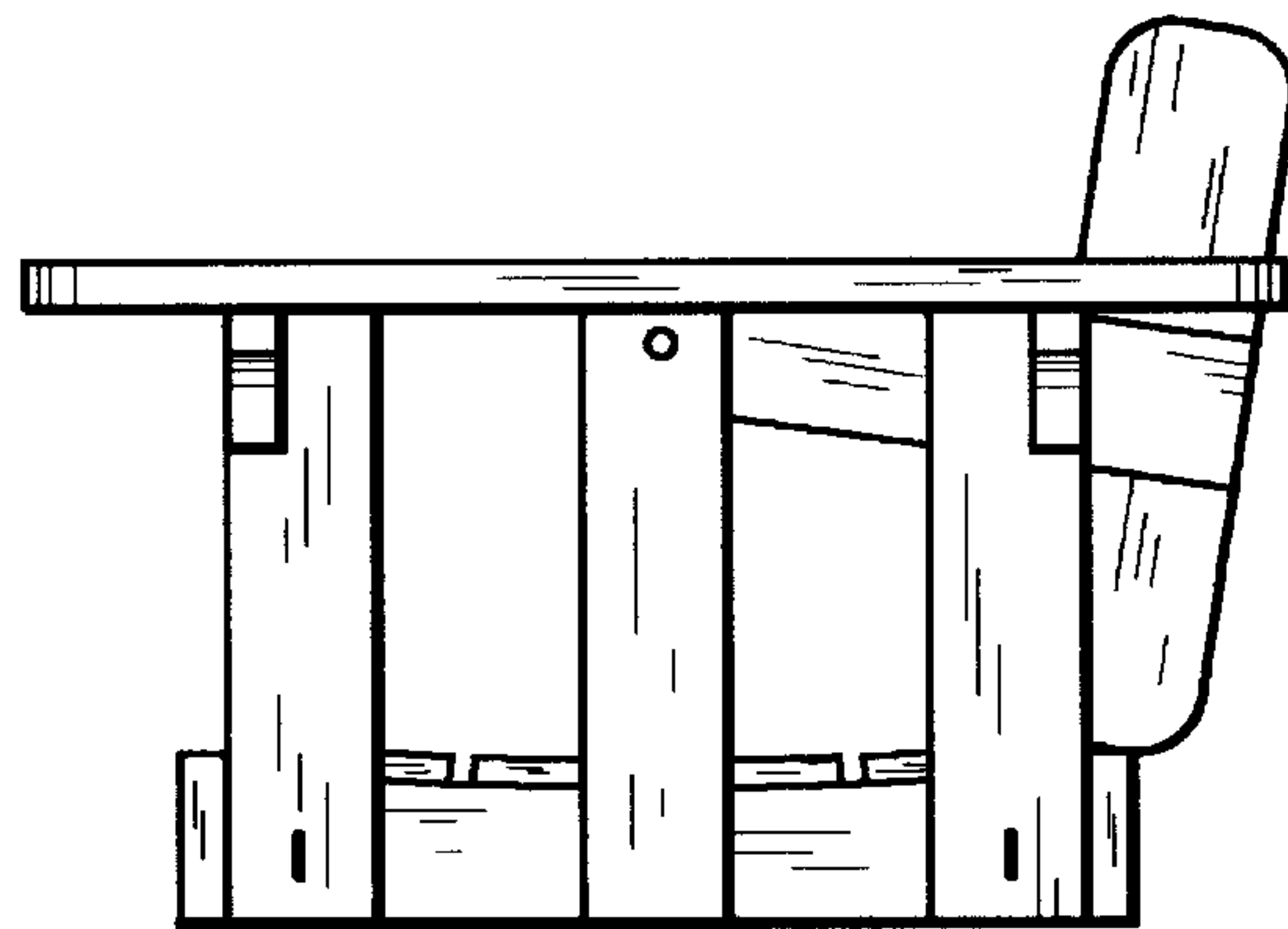


Fig. 6



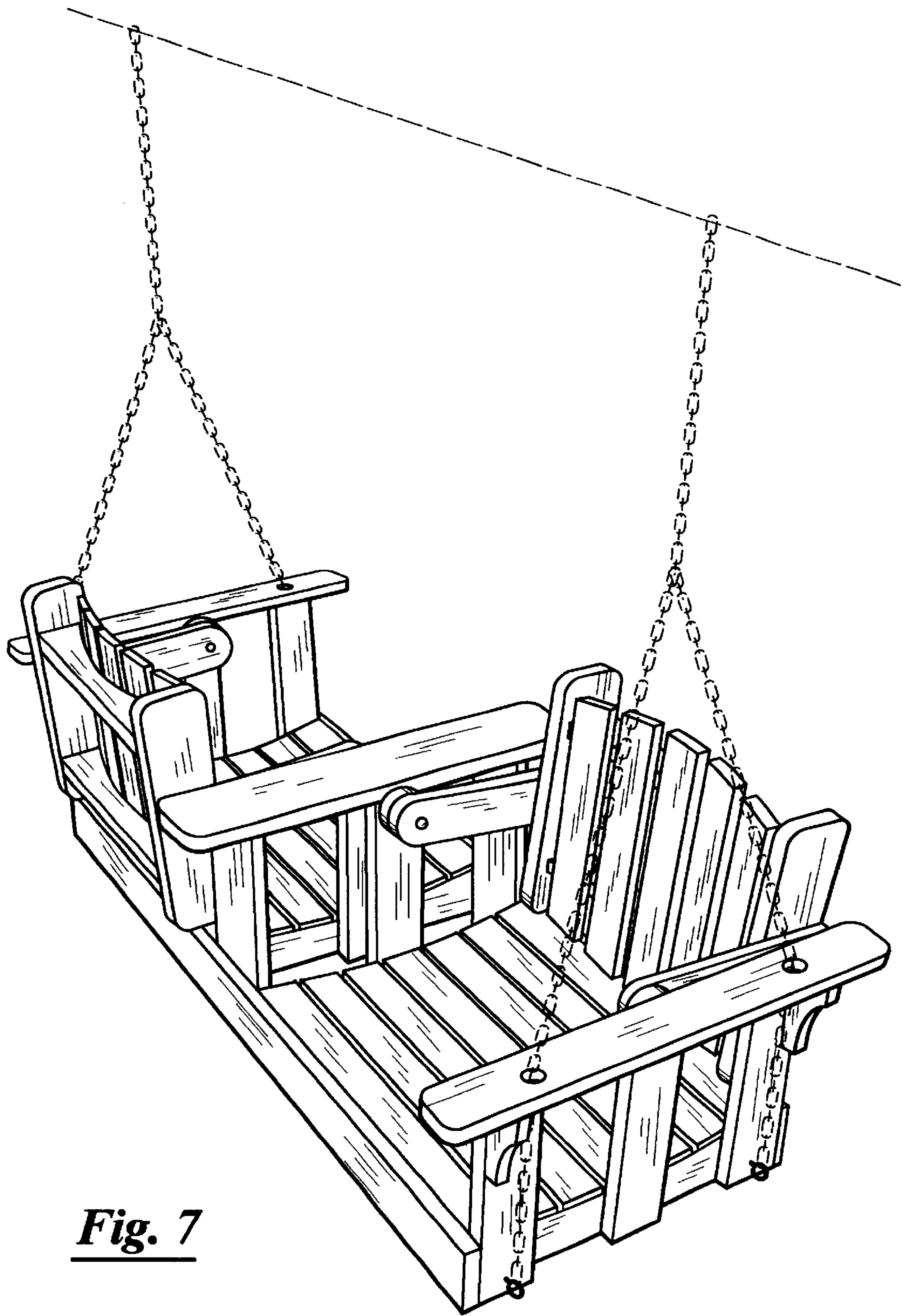


Fig. 7

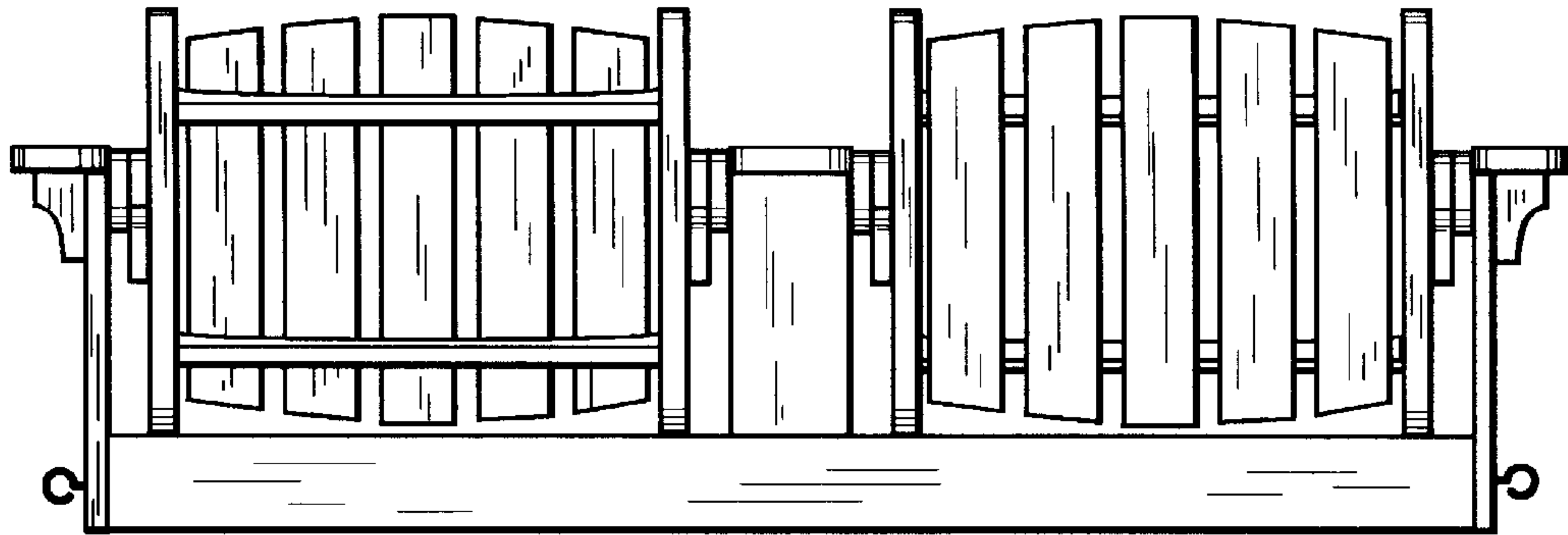


Fig. 8

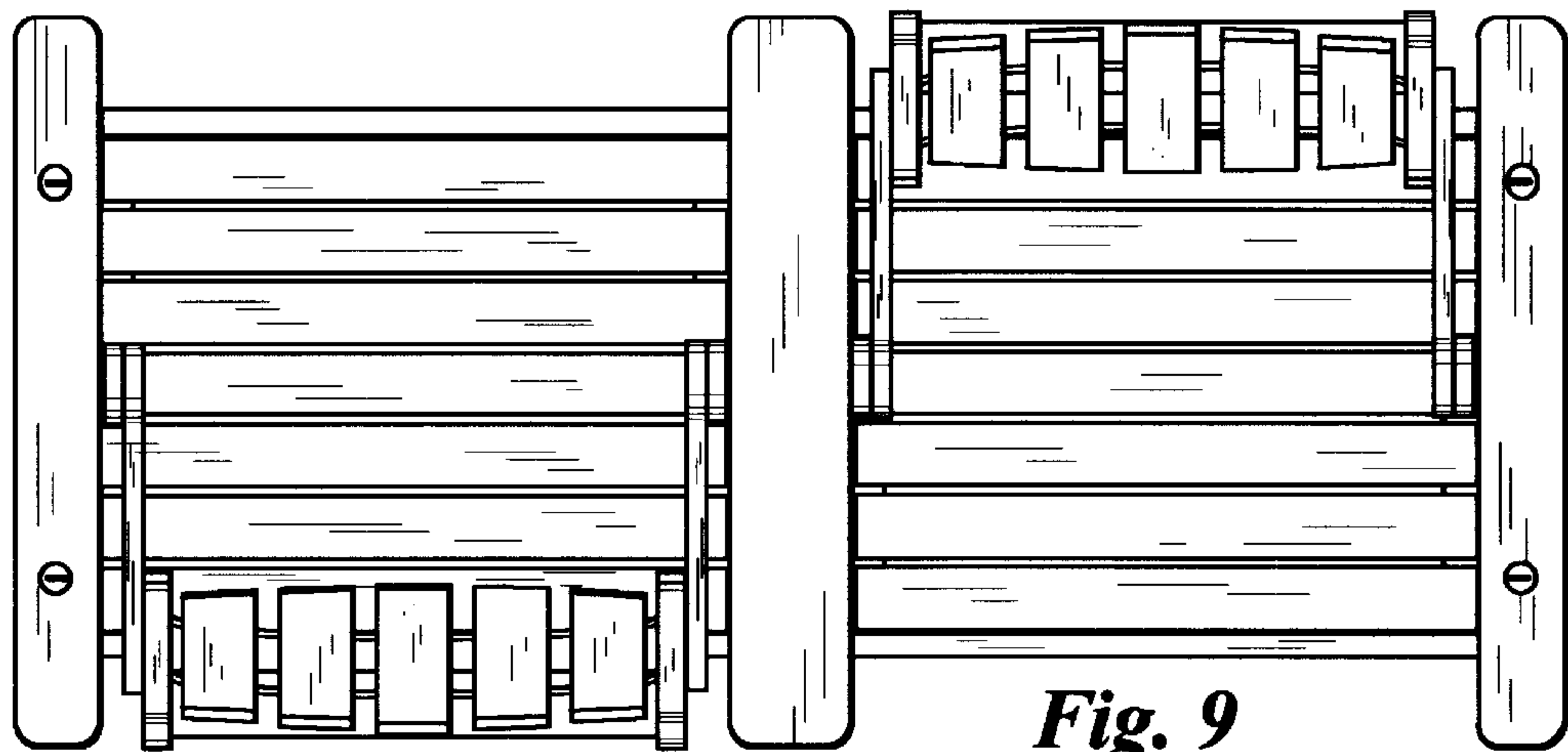


Fig. 9

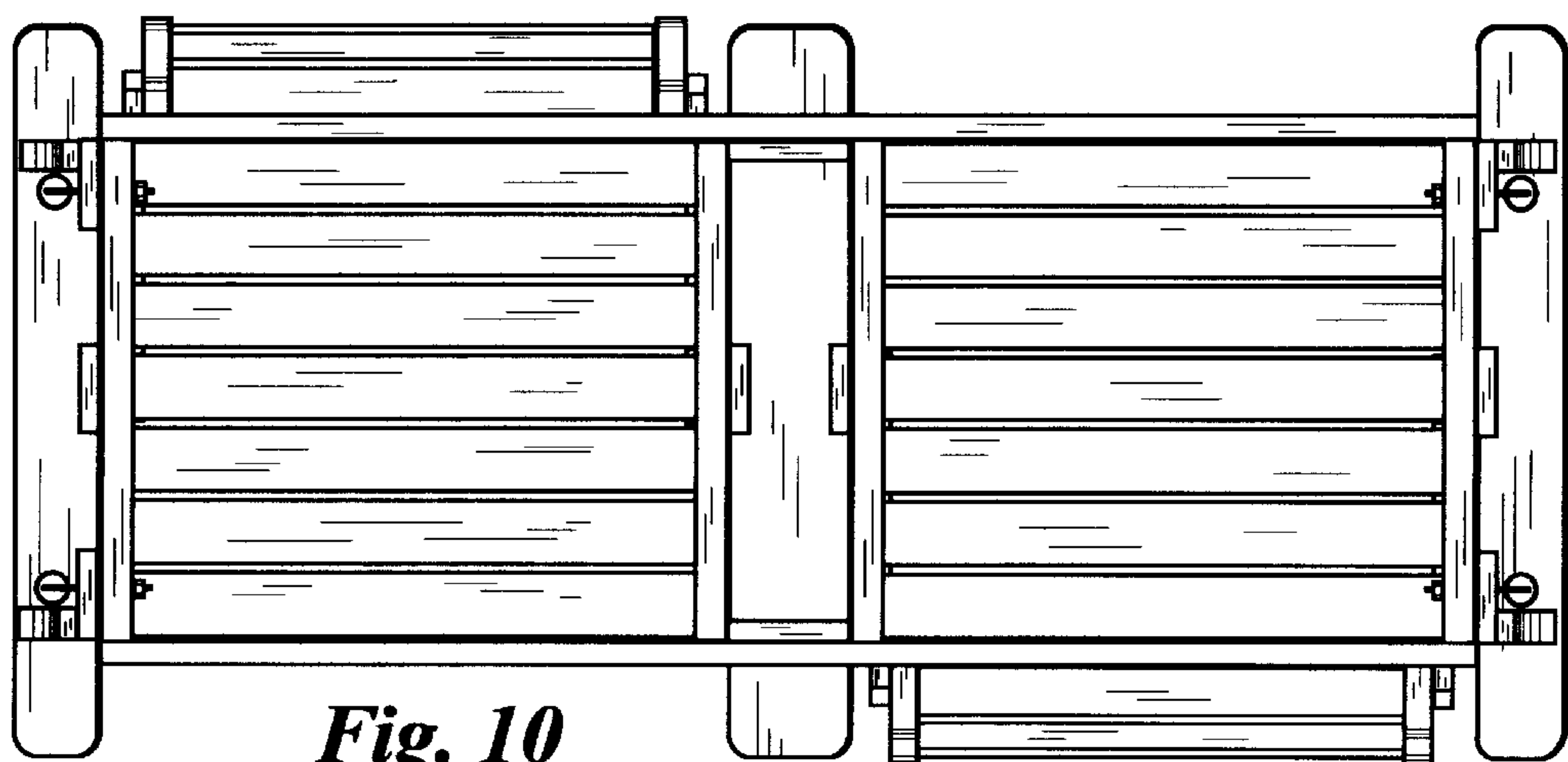
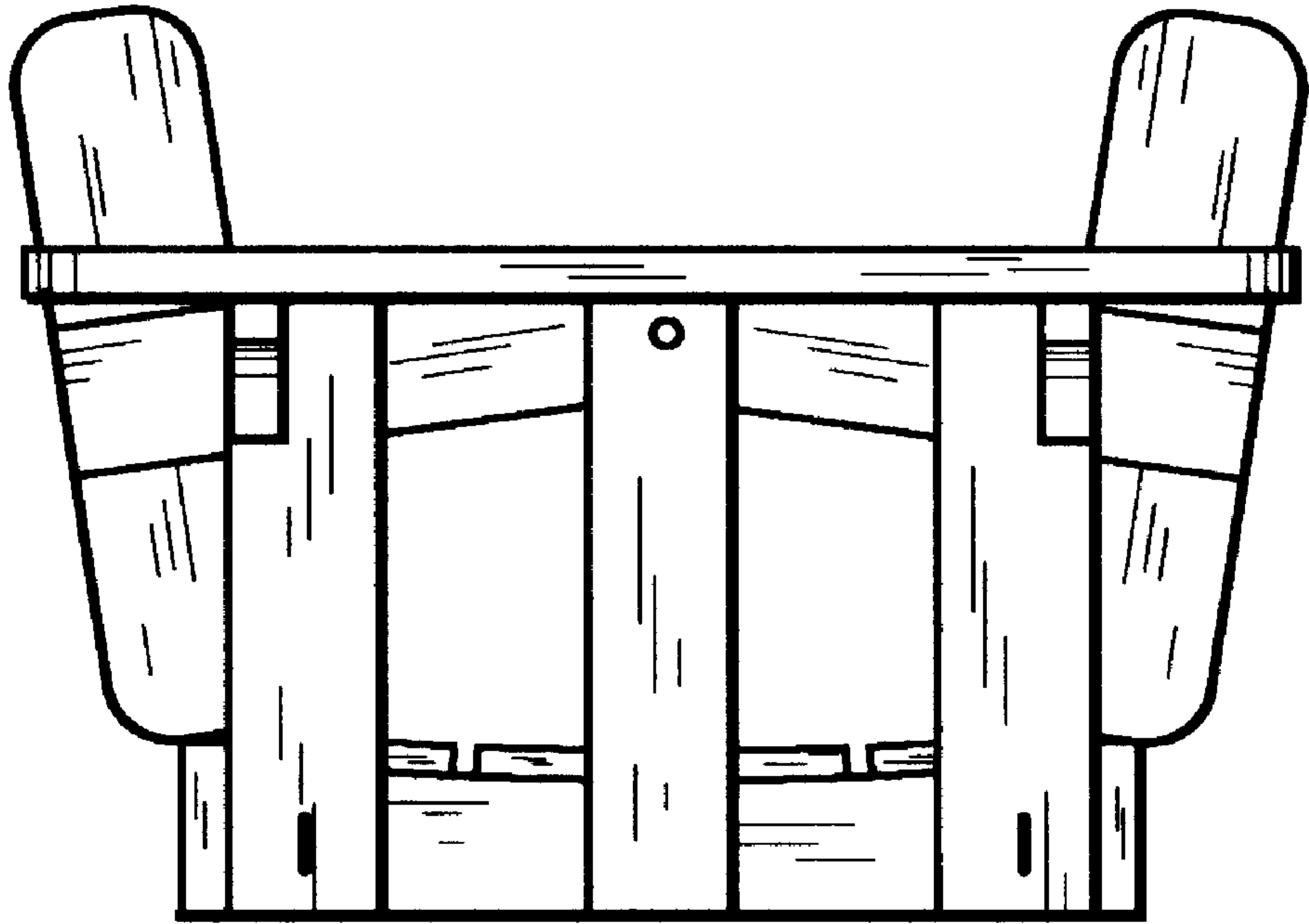


Fig. 10



***Fig. 11***