



US00D480204S

(12) **United States Design Patent**  
**Nakayama**

(10) **Patent No.:** **US D480,204 S**

(45) **Date of Patent:** **\*\* Oct. 7, 2003**

(54) **SPIKE NUT**

D237,562 S \* 11/1975 Mori ..... D2/962  
4,723,366 A \* 2/1988 Hagger ..... 36/134

(75) Inventor: **Hiroshi Nakayama, Osaka (JP)**

\* cited by examiner

(73) Assignee: **Yugenkaisha Maruzen Byora, Osaka (JP)**

*Primary Examiner*—Dominic Simone

(\*\*) Term: **14 Years**

(74) *Attorney, Agent, or Firm*—Antonelli, Terry, Stout & Kraus, LLP

(21) Appl. No.: **29/152,990**

(57) **CLAIM**

(22) Filed: **Jan. 7, 2002**

The ornamental design for a spike nut, as shown and described.

(30) **Foreign Application Priority Data**

**DESCRIPTION**

Jul. 9, 2001 (JP) ..... 2001-020053

(51) **LOC (7) Cl.** ..... **02-99**

(52) **U.S. Cl.** ..... **D2/962**

(58) **Field of Search** ..... D2/906, 962; 36/134,  
36/59 R, 67 A, 67 D

FIG. 1 is a top plan view;  
FIG. 2 is a front elevation;  
FIG. 3 is a bottom plan view;  
FIG. 4 is a right-side elevation;  
FIG. 5 is a cross section taken along the line A—A in FIG. 1; and,

(56) **References Cited**

FIG. 6 is an enlarged perspective view.  
A rear elevation symmetrical with the front elevation, as well as a left-side elevation also symmetrical with the right-side elevation, are excluded from the drawings.

**U.S. PATENT DOCUMENTS**

2,722,757 A \* 11/1955 Phillips ..... 36/59 R  
3,195,246 A \* 7/1965 Ueda ..... 36/67 D  
3,552,043 A \* 1/1971 Moffa ..... 36/67 D

**1 Claim, 2 Drawing Sheets**

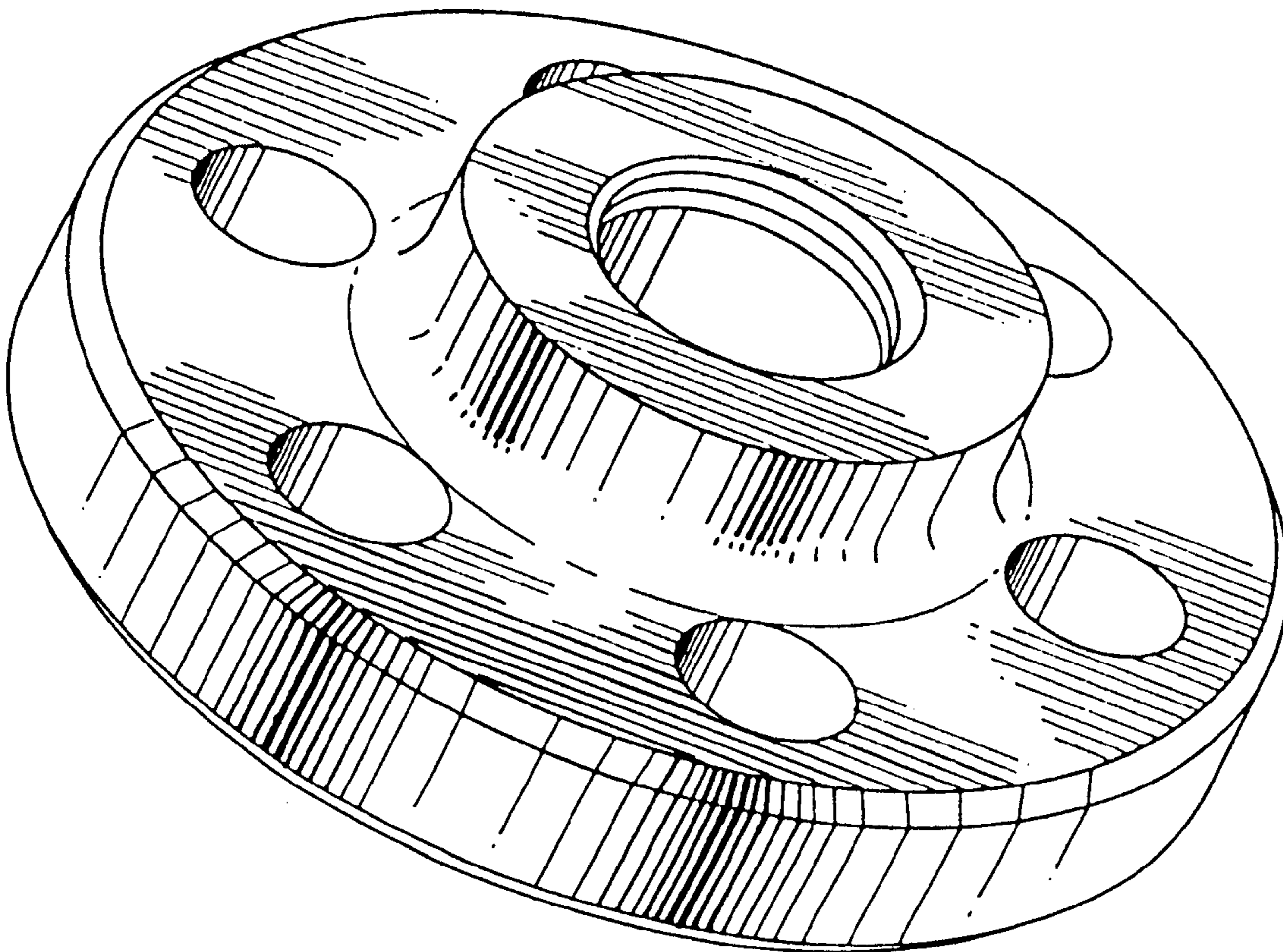


Fig. 1

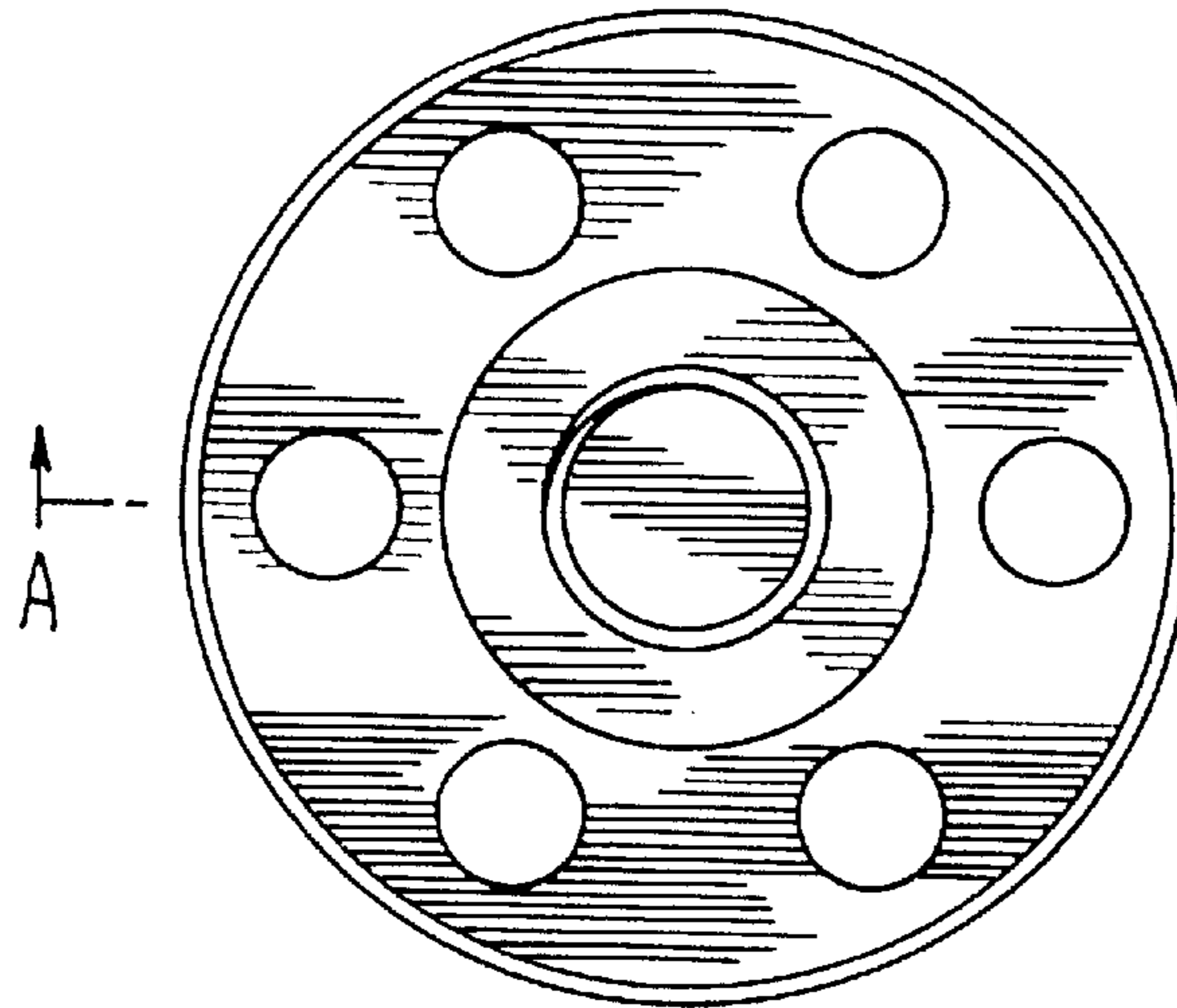


Fig. 2

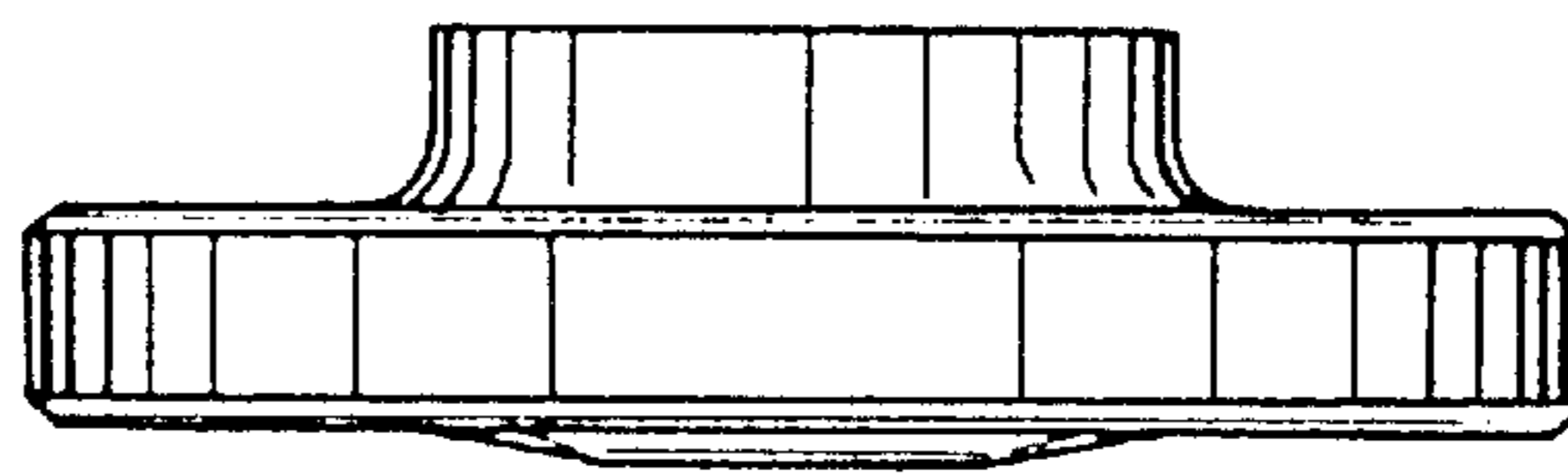
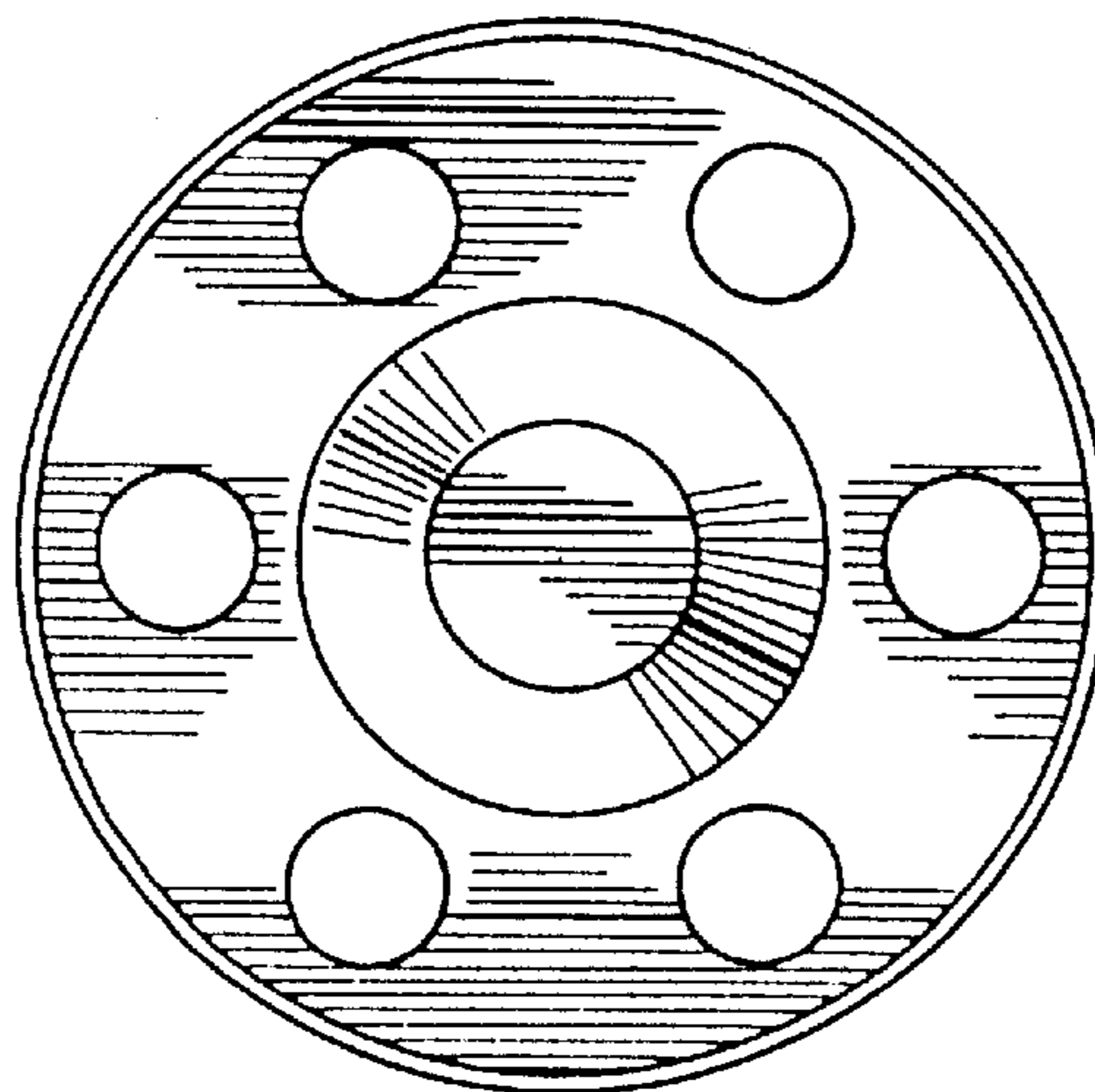
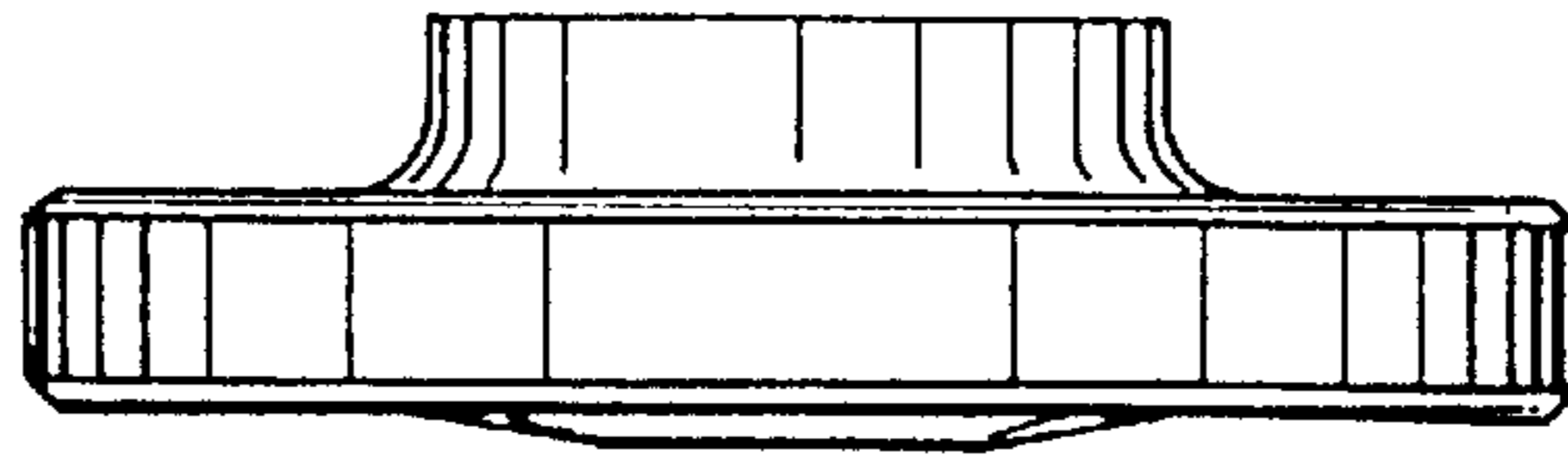


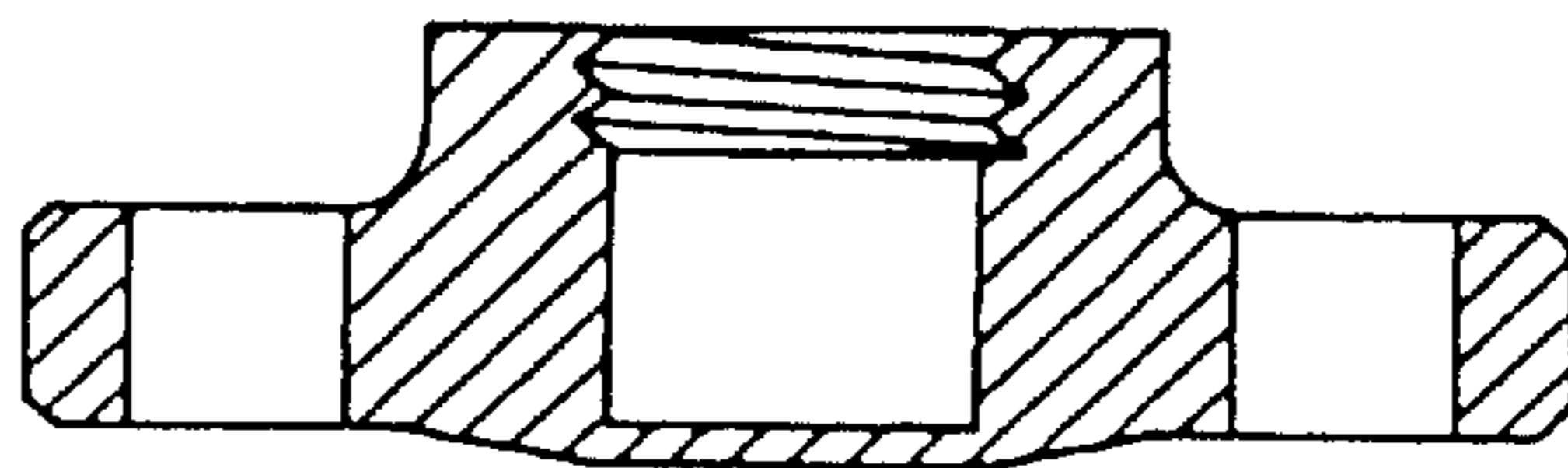
Fig. 3



**Fig. 4**



**Fig. 5**



**Fig. 6**

