



US00D480201S

(12) **United States Design Patent**
Cotten

(10) **Patent No.:** **US D480,201 S**

(45) **Date of Patent:** **** *Oct. 7, 2003**

(54) **CONFECTION WITH SWIRL PATTERN**

(75) Inventor: **Gerald B. Cotten**, Sparta, NJ (US)

(73) Assignee: **Kraft Foods Holdings, Inc.**, Northfield, IL (US)

(*) Notice: This patent is subject to a terminal disclaimer.

(**) Term: **14 Years**

(21) Appl. No.: **29/152,768**

(22) Filed: **Dec. 28, 2001**

(51) **LOC (7) Cl.** **01-01**

(52) **U.S. Cl.** **D1/127**

(58) **Field of Search** D1/100-129, 199;
426/3-6, 89, 104, 249, 660, 383, 512, 502,
503, 516-518; D19/53; 15/424

(56) **References Cited**

U.S. PATENT DOCUMENTS

1,855,145 A * 4/1932 Jones 426/89 X
D271,536 S * 11/1983 Siecke D1/127
6,099,880 A 8/2000 Klacik et al.

OTHER PUBLICATIONS

Copy of 10.5 oz. Nabisco, Inc. bag package (undated) for LifeSavers® Creme Savers® Hard Candy showing hard candy with swirl design, with copy of US PTO online

abstract for U.S. Trademark Registration No. 2,255,941 for the word mark Creme Savers for candy indicating a first use in commerce of Aug. 17, 1998.

* cited by examiner

Primary Examiner—Alan P. Douglas
Assistant Examiner—Linda Brooks
(74) *Attorney, Agent, or Firm*—Hollander Law Firm, P.L.C.

(57) **CLAIM**

The ornamental design for a confection with swirl pattern, as shown and described.

DESCRIPTION

FIG. 1 is a perspective view of a confection with swirl pattern showing my design.

FIG. 2 is a front elevational view thereof.

FIG. 3 is a top plan view thereof.

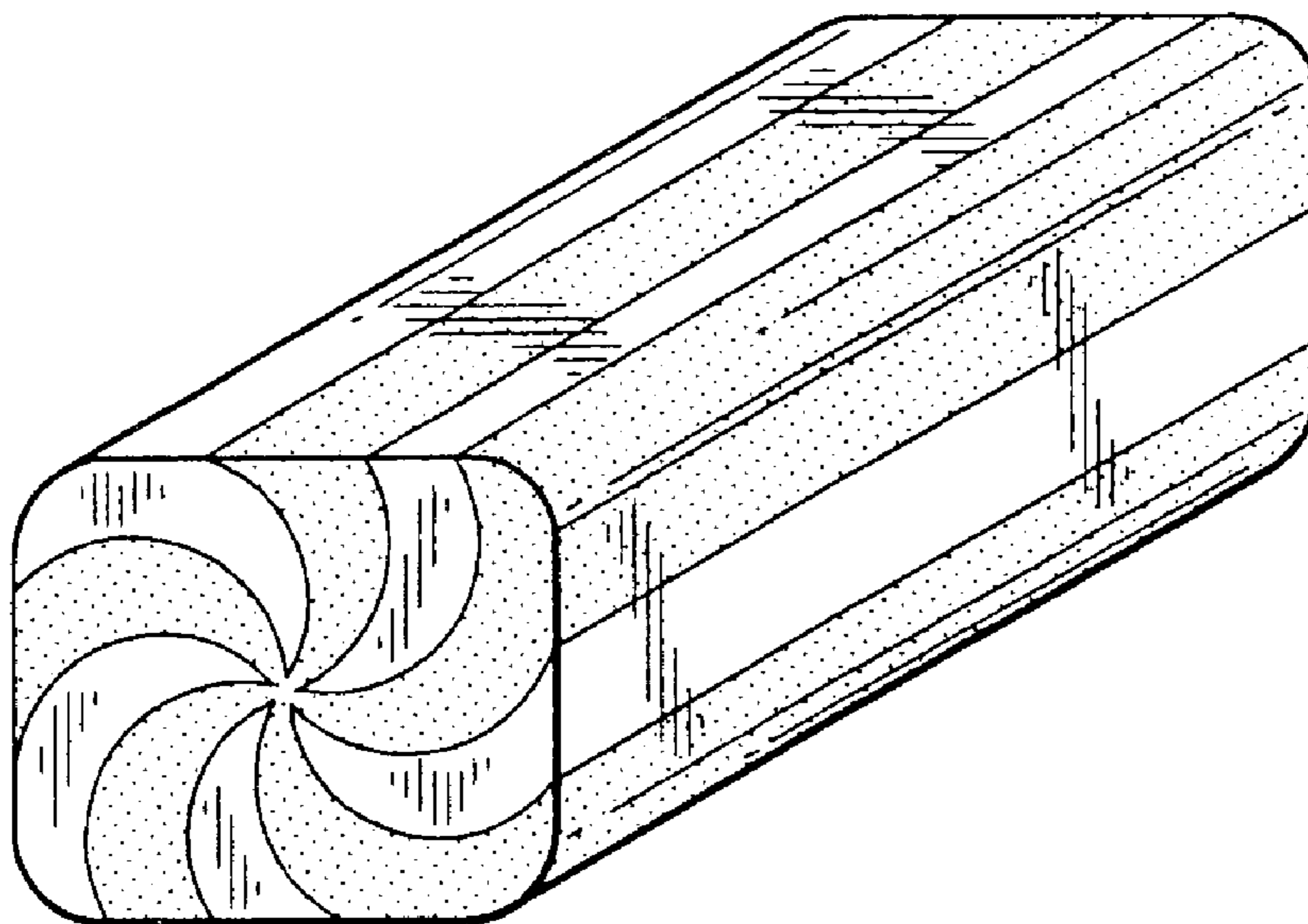
FIG. 4 is a left side elevational view thereof.

FIG. 5 is a bottom plan view thereof.

FIG. 6 is a right elevational view thereof; and,

FIG. 7 is a rear elevational view thereof.

1 Claim, 1 Drawing Sheet



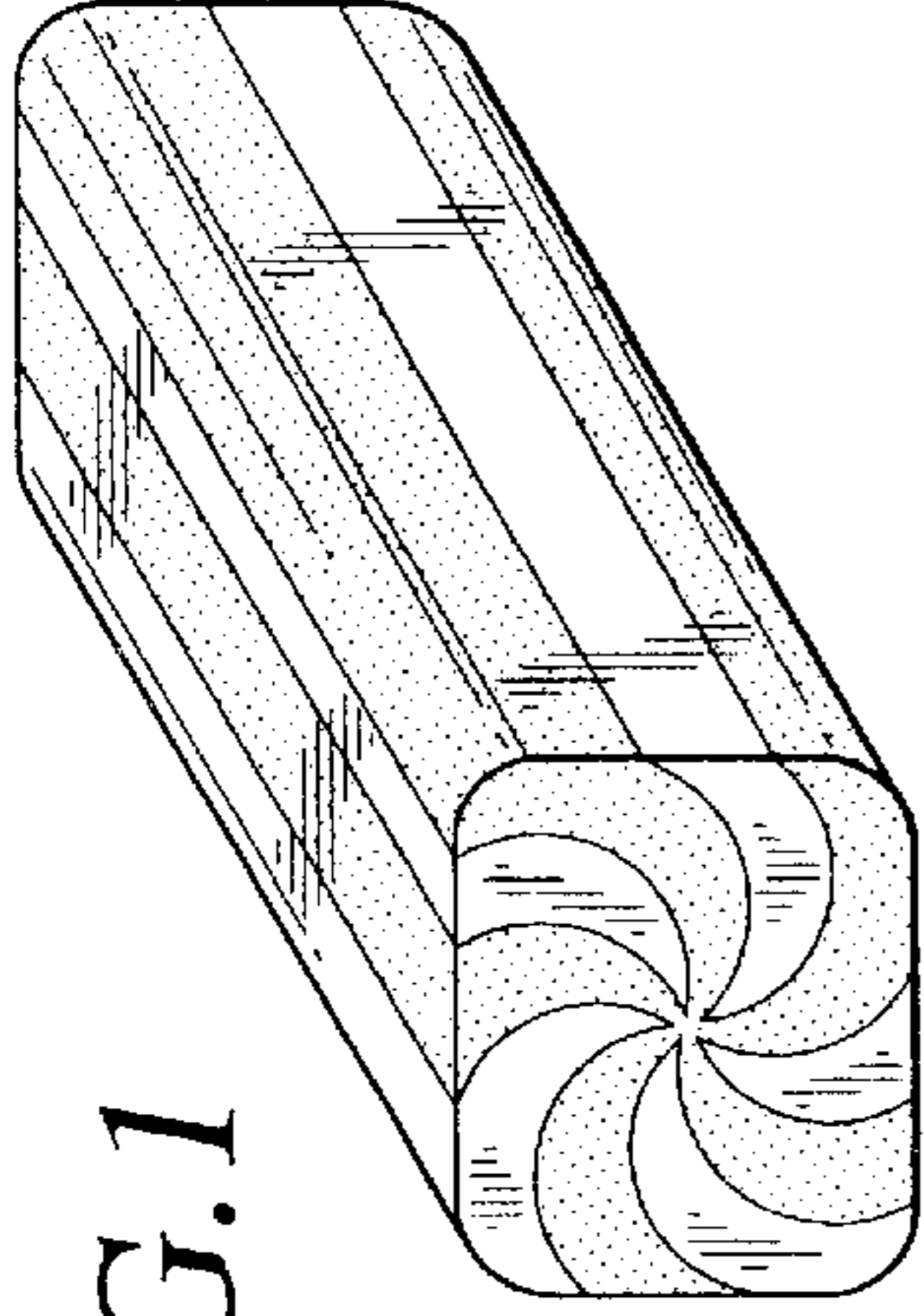


FIG. 1

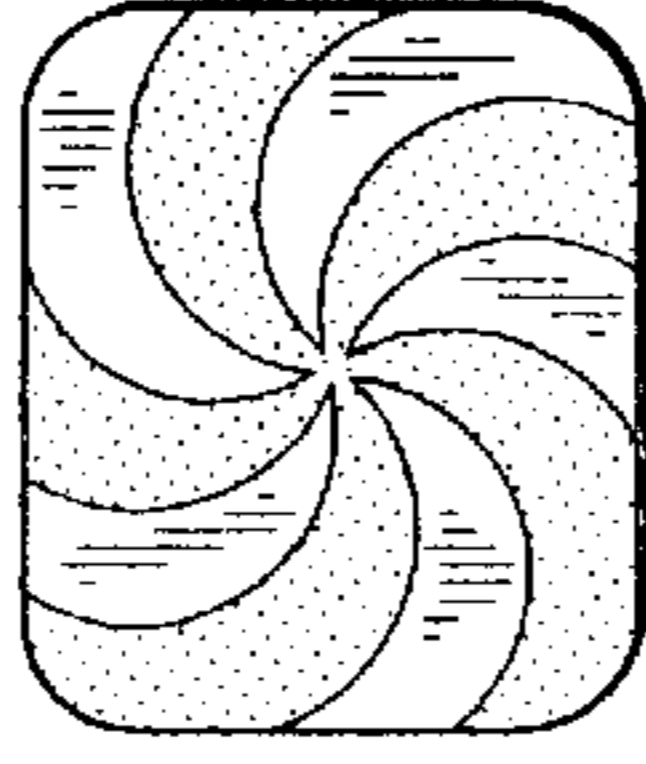


FIG. 7

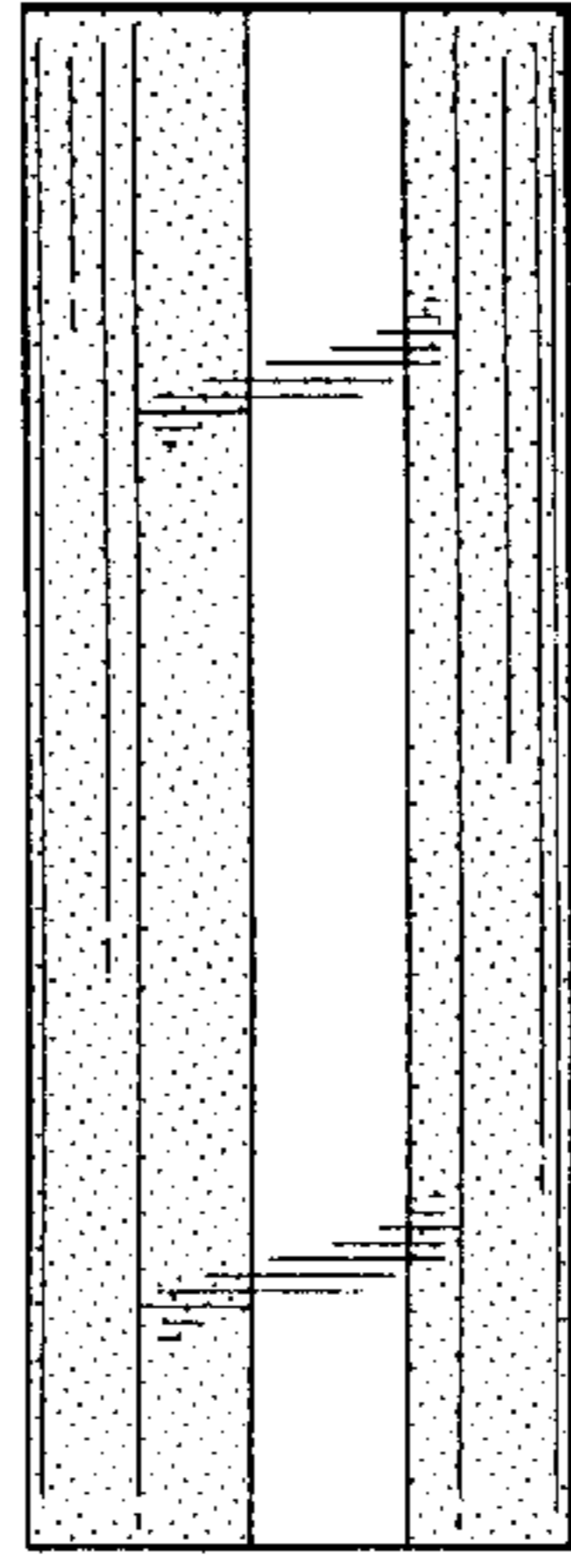


FIG. 6

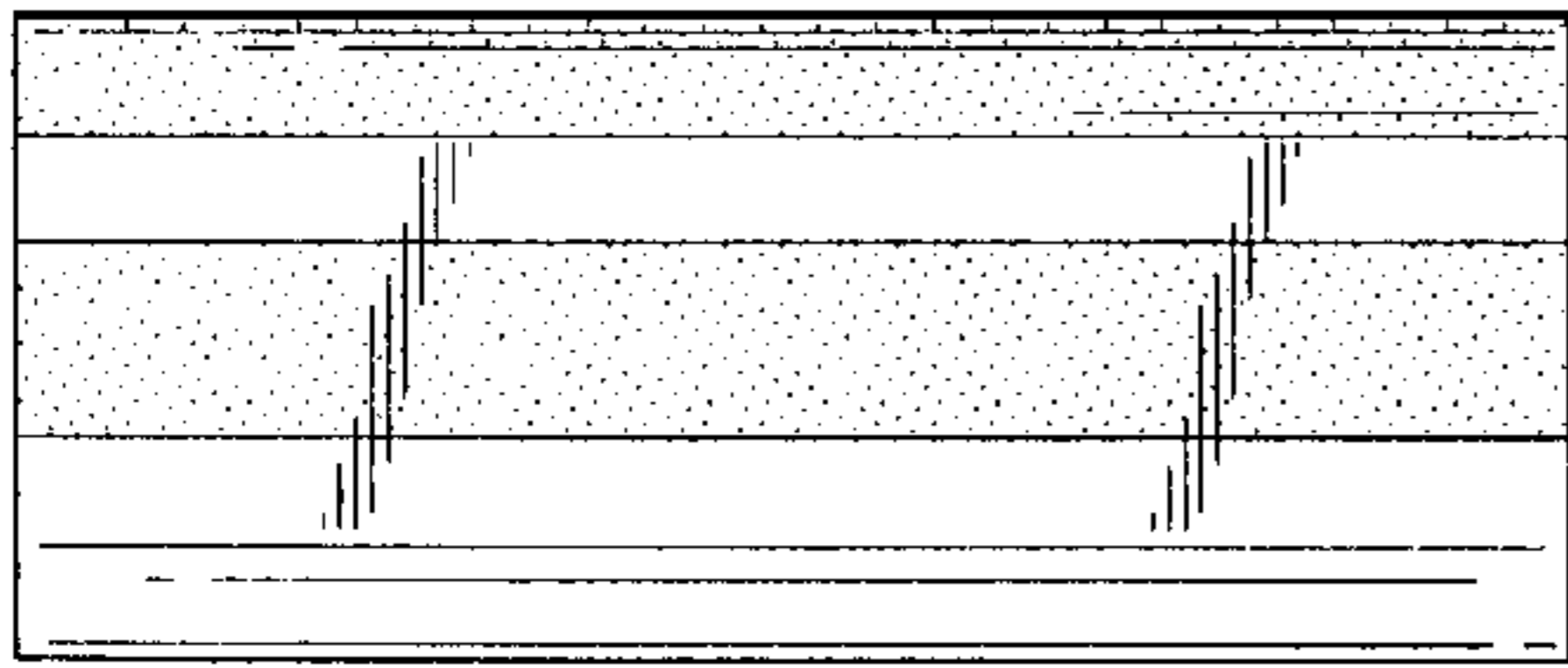


FIG. 3

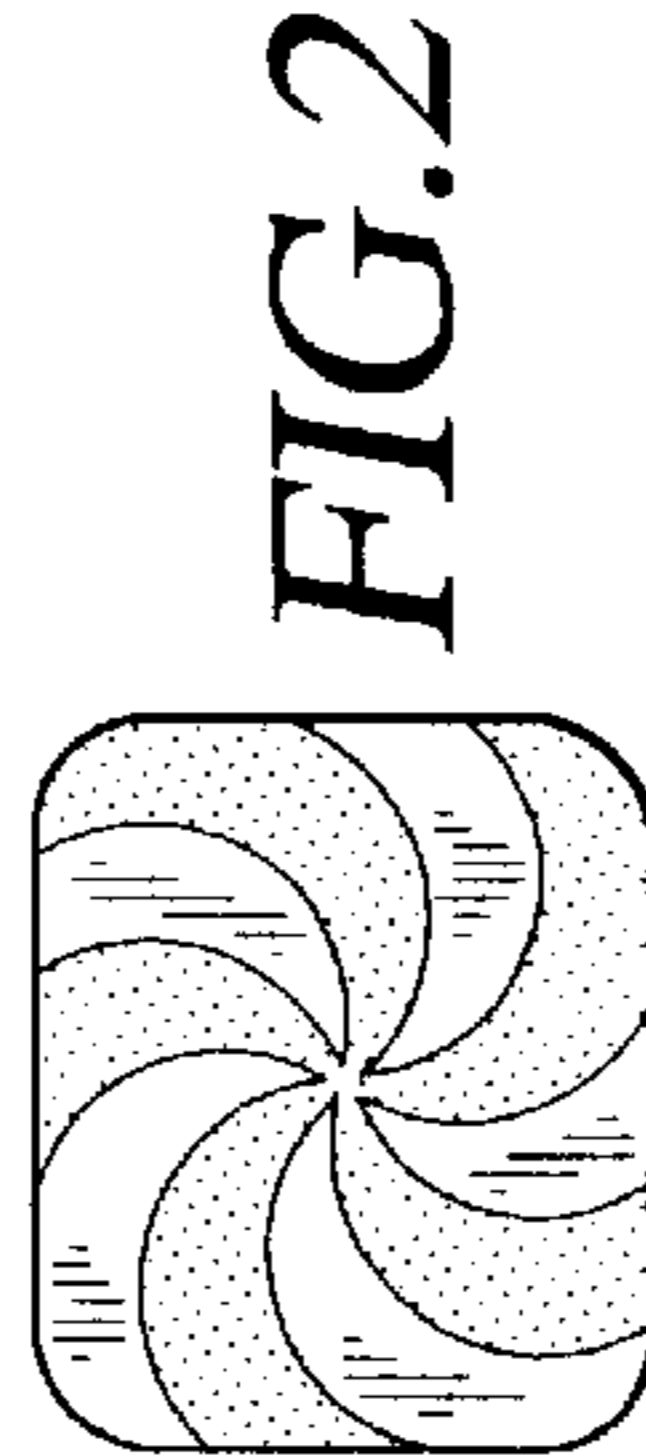


FIG. 2

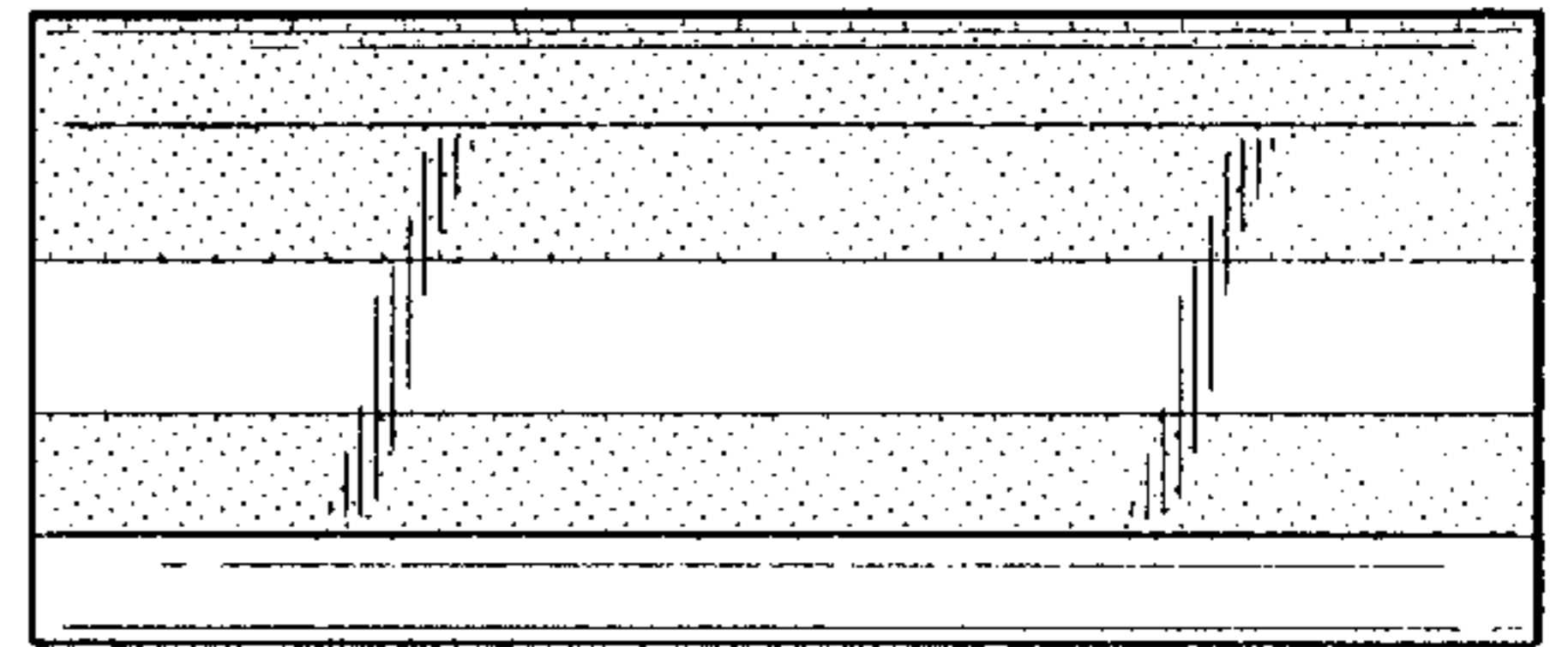


FIG. 5

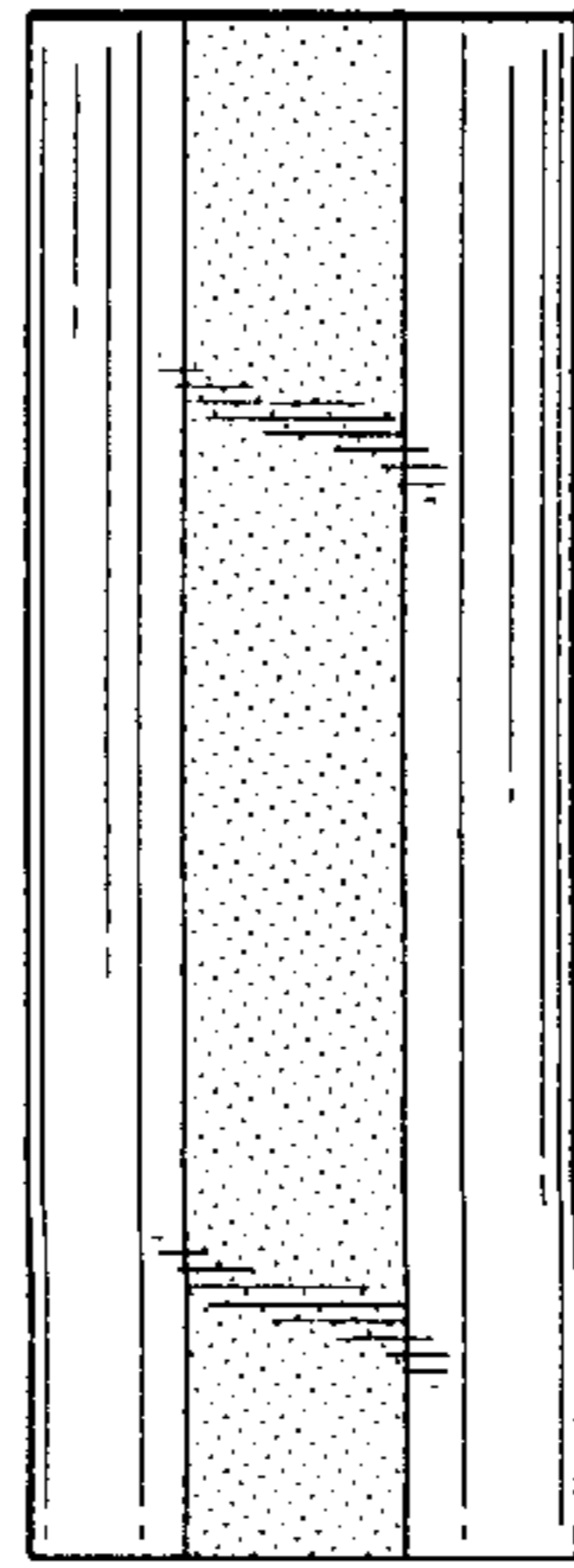


FIG. 4