



US00D480196S

(12) **United States Design Patent**
Hsu

(10) **Patent No.:** **US D480,196 S**

(45) **Date of Patent:** **** Sep. 30, 2003**

(54) **HOISTING JACK**

(76) Inventor: **Kun-Shan Hsu**, No. 16, Lane 175, Hai Kuo Liao Rd., Pei Hu Li, Chiayi City (TW)

(**) Term: **14 Years**

(21) Appl. No.: **29/167,322**

(22) Filed: **Sep. 13, 2002**

(51) **LOC (7) Cl.** **12-05**

(52) **U.S. Cl.** **D34/31**

(58) **Field of Search** D34/31, 38, 33; 254/83, 84, 11, 93 H, 2 B, 88, DIG. 3, 48, 94

D398,730 S	*	9/1998	Lin	D34/31
D421,516 S	*	3/2000	Hung	D34/31
D444,606 S	*	7/2001	Hsu	D34/31
D452,597 S	*	12/2001	Hung	D34/31
D453,983 S	*	2/2002	Lin	D34/31
D454,419 S	*	3/2002	Lee et al.	D34/31
6,357,724 B1	*	3/2002	Hung	254/8 B
6,505,816 B1	*	1/2003	Hung	254/8 B

* cited by examiner

Primary Examiner—Cynthia E. Ramirez

(74) *Attorney, Agent, or Firm*—Rosenberg, Klein & Lee

(57) **CLAIM**

The ornamental design for a hoisting jack, as shown and described.

DESCRIPTION

FIG. 1 is a perspective view of a hoisting jack, showing my new design;

FIG. 2 is a front elevational view thereof;

FIG. 3 is a rear elevational view thereof;

FIG. 4 is a left side elevational view thereof;

FIG. 5 is a right side elevational view thereof;

FIG. 6 is a top plan view thereof;

FIG. 7 is a bottom plan view thereof; and,

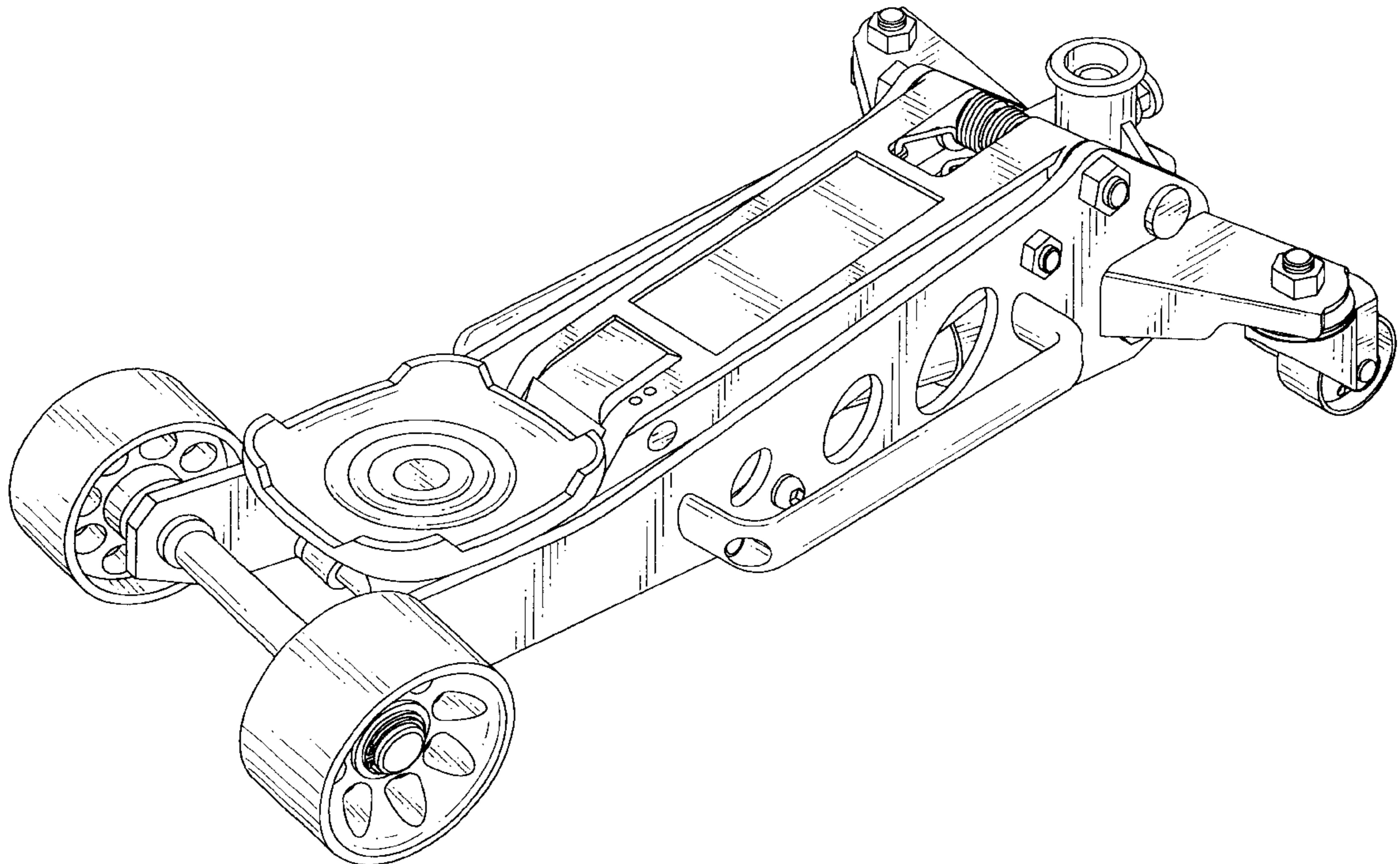
FIG. 8 is a side plan view in partial cross section along line 8—8 in FIG. 6 thereof.

(56) **References Cited**

U.S. PATENT DOCUMENTS

4,018,421 A	*	4/1977	Tallman	254/8 B
4,131,263 A	*	12/1978	John	254/8 B
D284,417 S	*	6/1986	Yamagishi	D34/31
D295,799 S	*	5/1988	Hung	D34/31
4,850,568 A	*	7/1989	Hung	254/8 B
5,201,494 A	*	4/1993	Lundman	254/8 B
D358,923 S	*	5/1995	Hawkins	D34/31
5,431,369 A	*	7/1995	Hung	254/8 B
D364,026 S	*	11/1995	Hung	D34/31
5,551,668 A	*	9/1996	Hung	254/8 B
D388,926 S	*	1/1998	Sorensen	D34/31

1 Claim, 6 Drawing Sheets



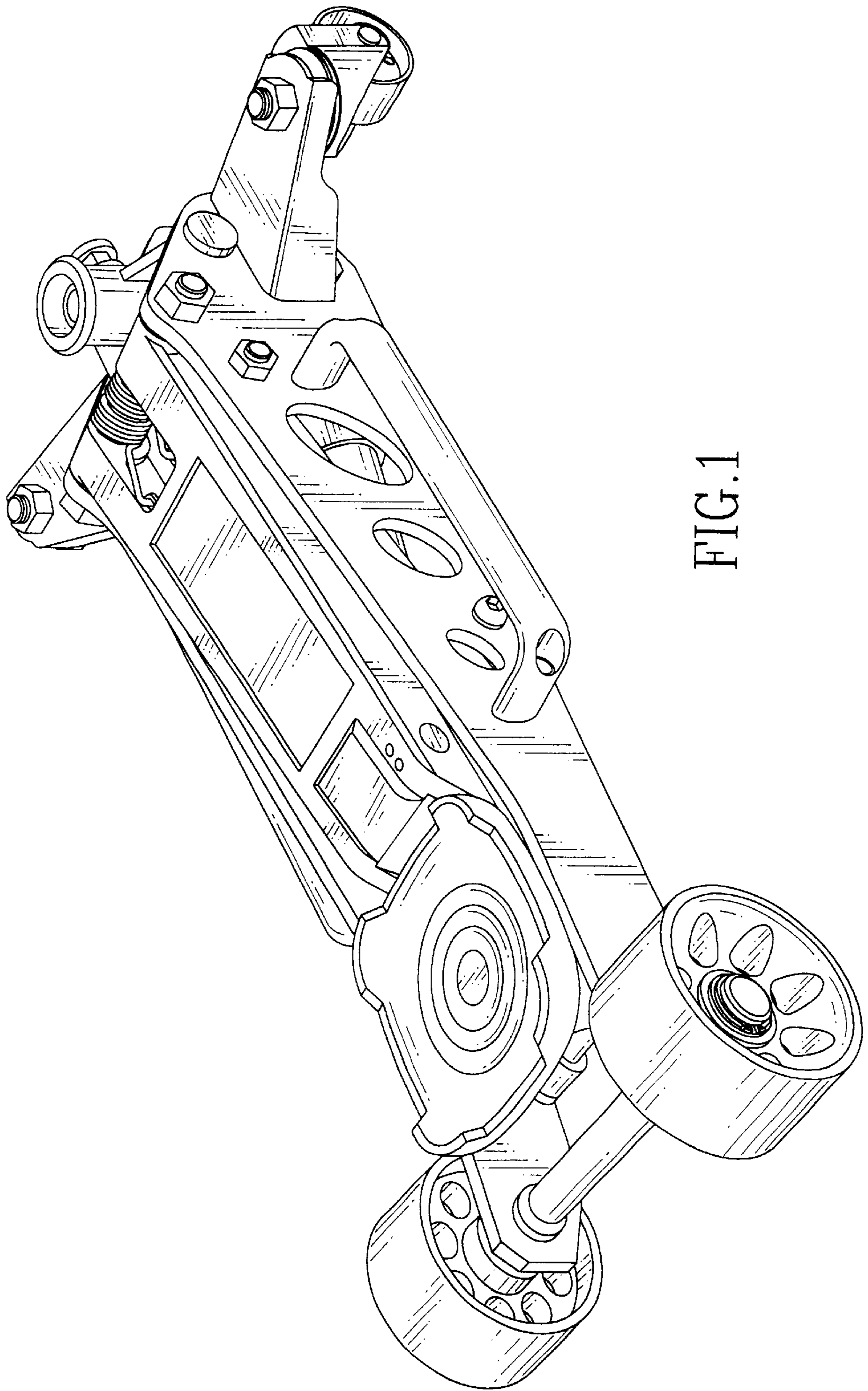


FIG. 1

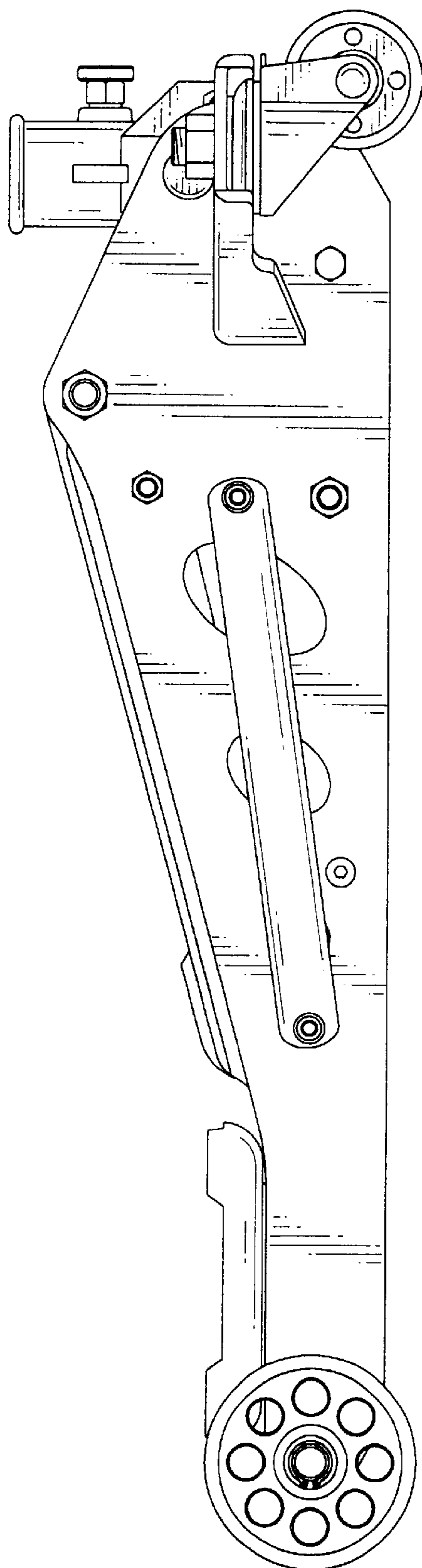


FIG. 2

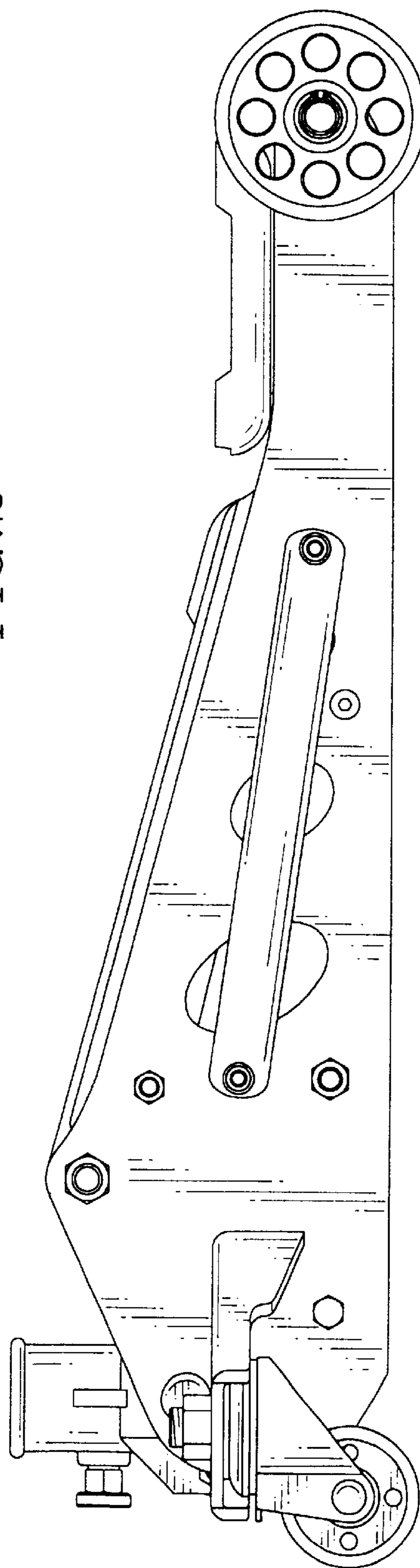


FIG. 3

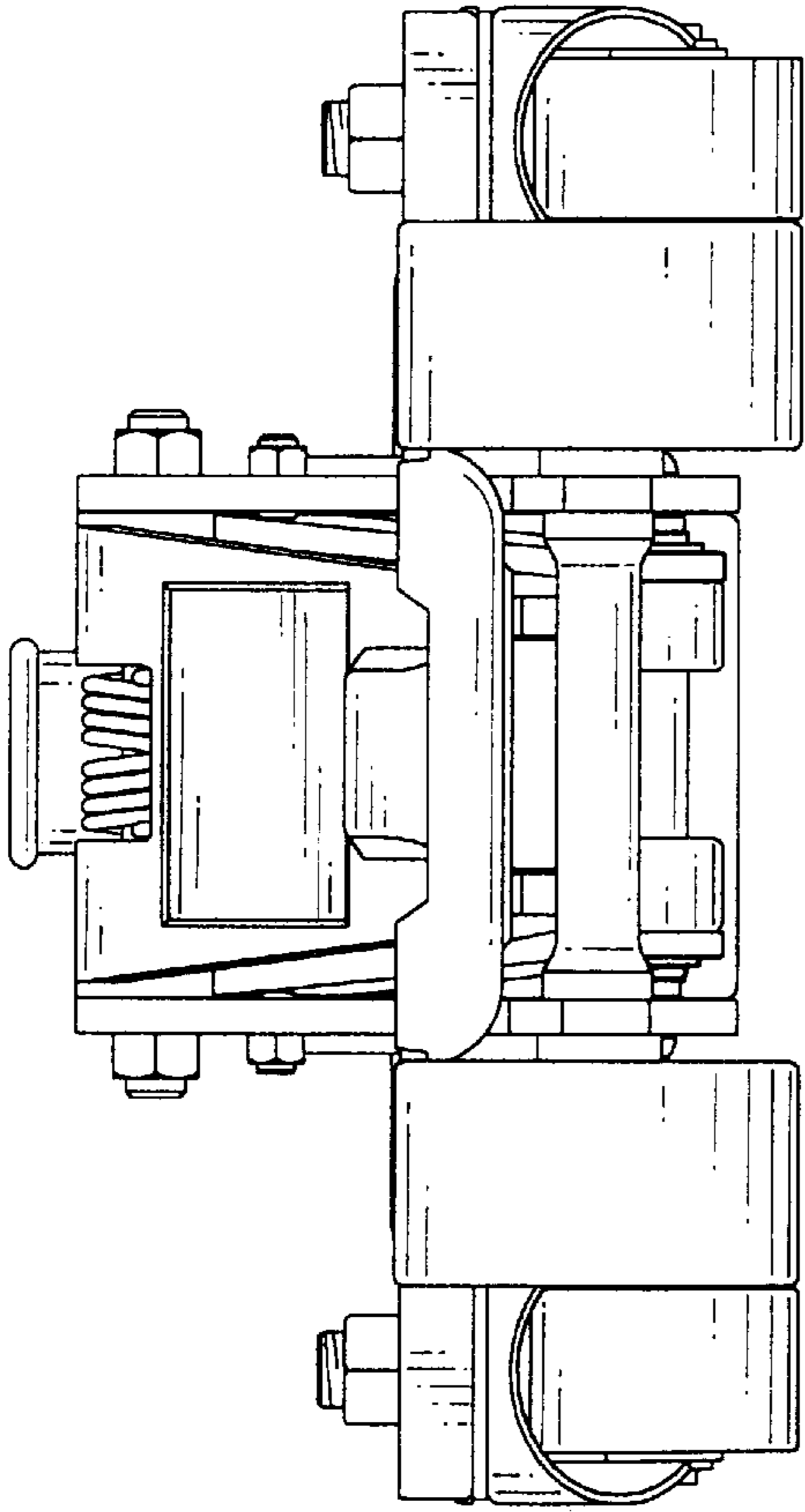


FIG. 4

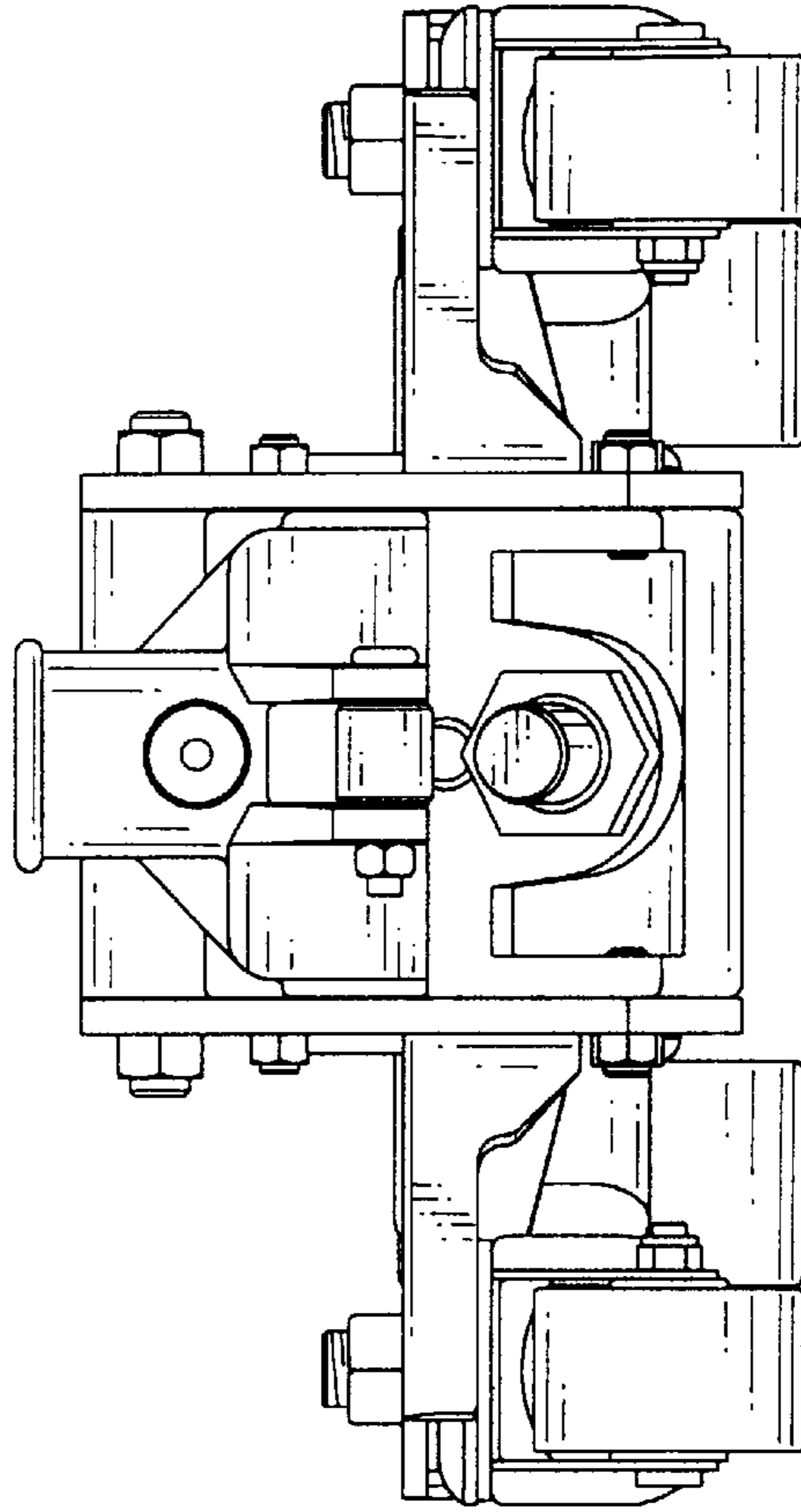


FIG. 5

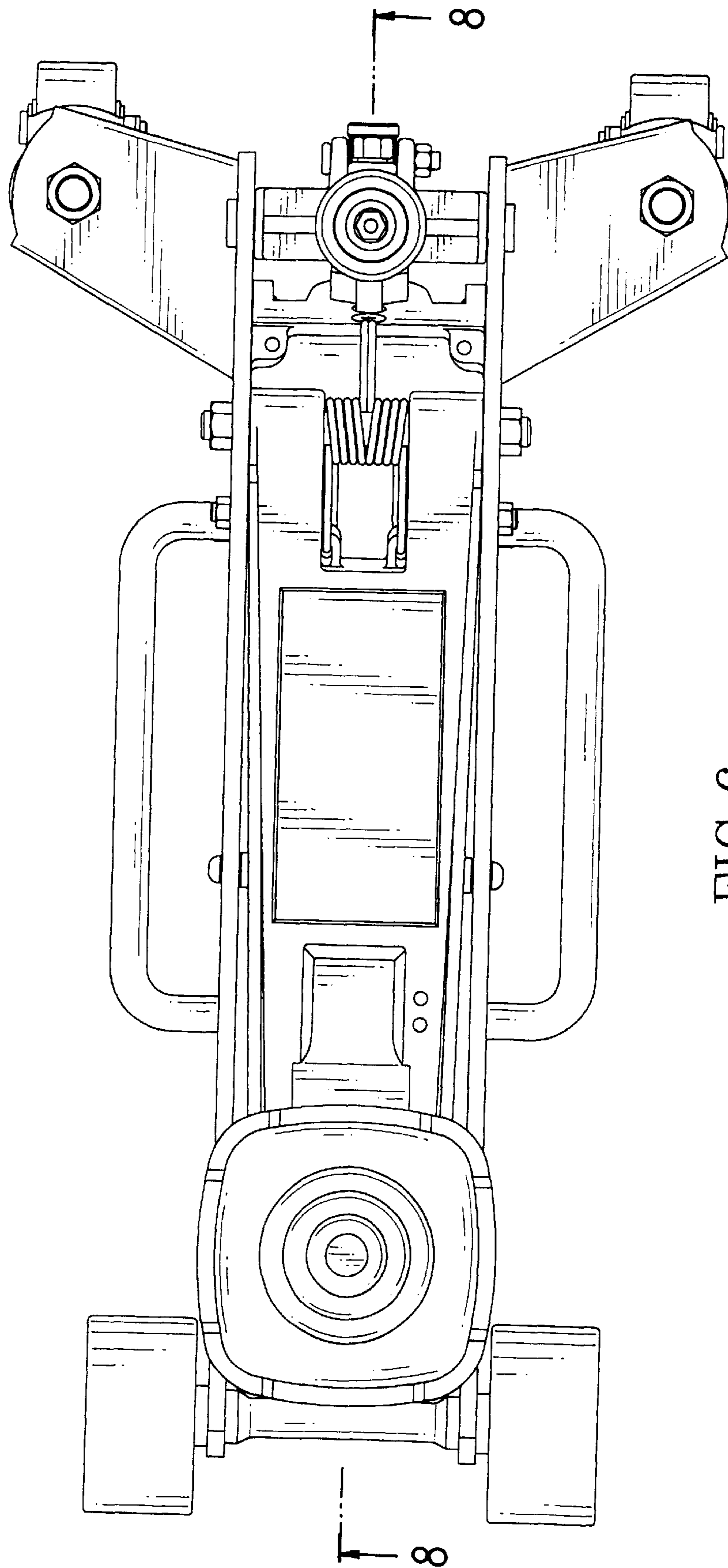


FIG. 6

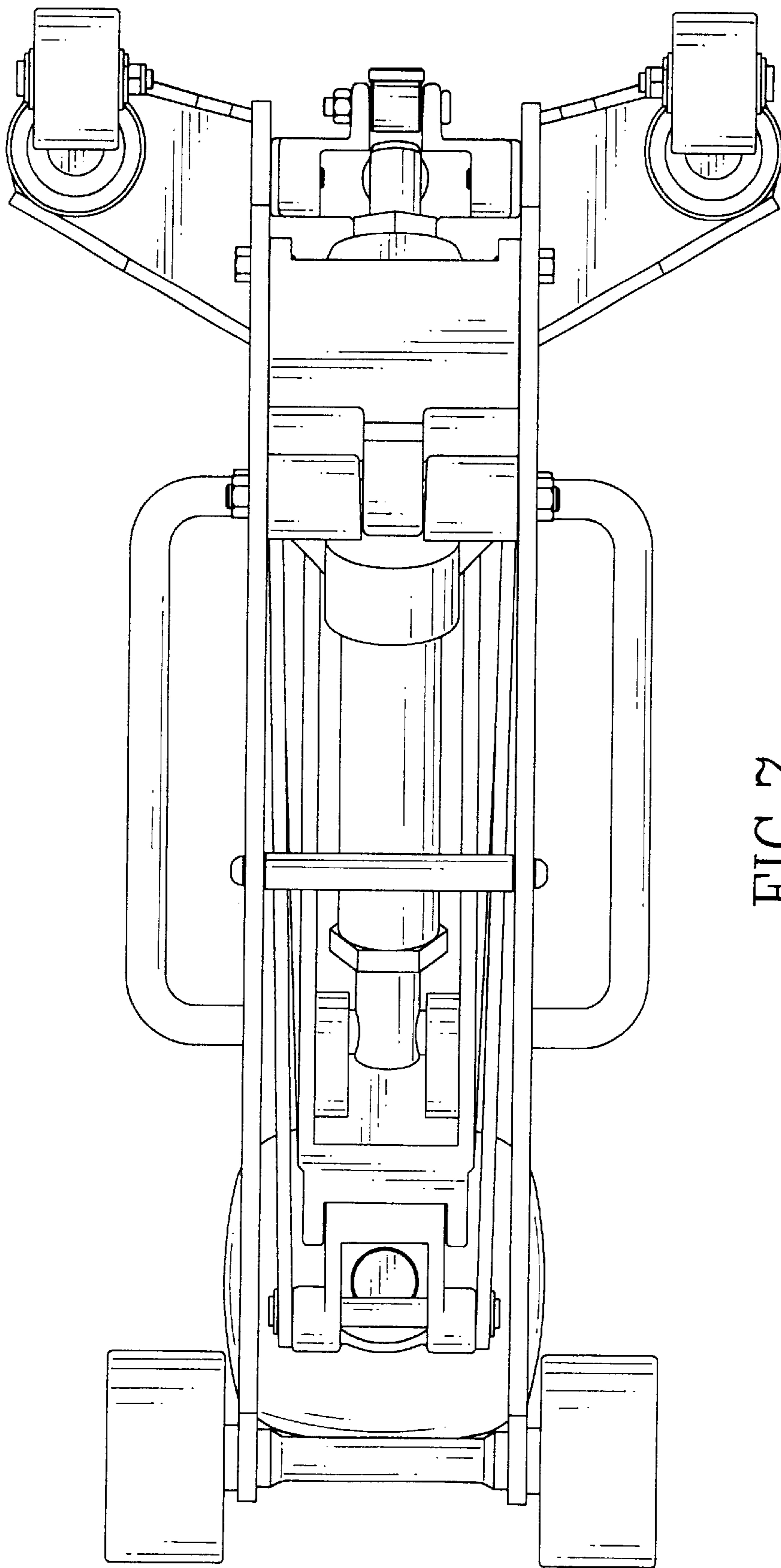


FIG. 7

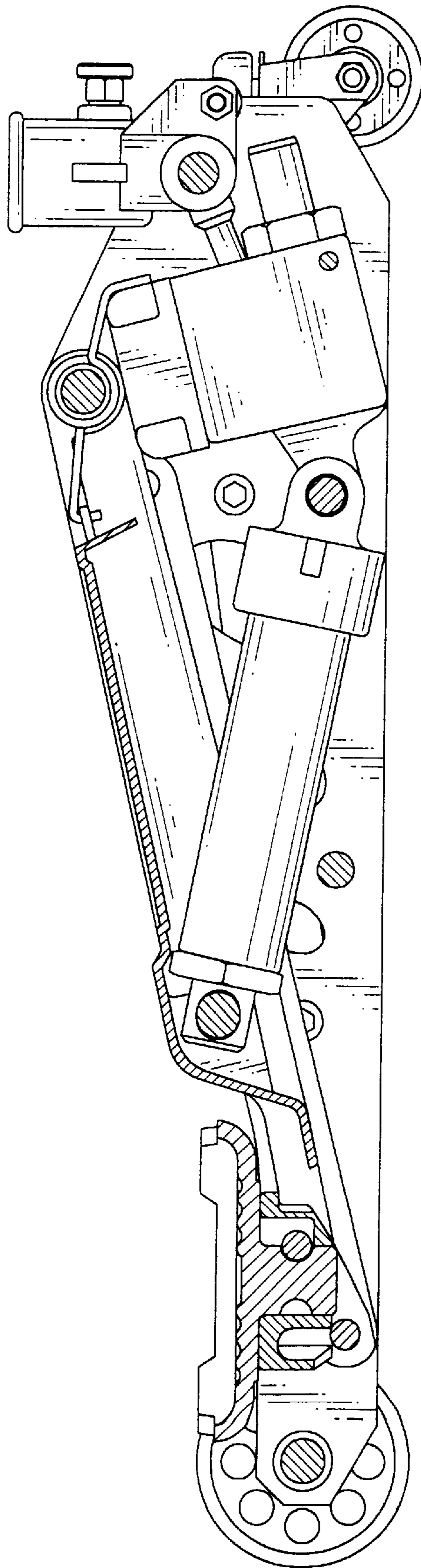


FIG. 8