



US00D480193S

(12) **United States Design Patent**
Wang

(10) **Patent No.:** **US D480,193 S**

(45) **Date of Patent:** **** Sep. 30, 2003**

(54) **TRASH CAN**

(75) **Inventor:** **Huang-Yuan Wang**, Tainan (TW)

(73) **Assignee:** **Yuan Min Aluminum Co., Ltd.**,
Tainan (TW)

(**) **Term:** **14 Years**

(21) **Appl. No.:** **29/170,394**

(22) **Filed:** **Nov. 6, 2002**

(51) **LOC (7) Cl.** **09-09**

(52) **U.S. Cl.** **D34/9**

(58) **Field of Search** D34/1, 7, 8, 9,
D34/10, 11; 220/675, 908, 909, 262, 263,
264

(56) **References Cited**

U.S. PATENT DOCUMENTS

1,966,323	A	*	7/1934	Von Elm	220/263
D108,642	S	*	3/1938	Geibel	D34/9
2,246,975	A	*	6/1941	Geibel	220/23.87
5,249,693	A	*	10/1993	Gillispie et al.	220/263
D343,486	S	*	1/1994	Kimport	D34/1.1

D435,951	S	*	1/2001	Yang et al.	D34/9
D447,611	S	*	9/2001	Lin	D34/9
D453,600	S	*	2/2002	Lin	D34/9
6,345,725	B1	*	2/2002	Lin	220/263
D454,239	S	*	3/2002	Lin	D34/9
D473,360	S	*	4/2003	Fuller	D34/7

* cited by examiner

Primary Examiner—Cynthia E. Ramirez

(74) *Attorney, Agent, or Firm*—Rosenberg, Klein & Lee

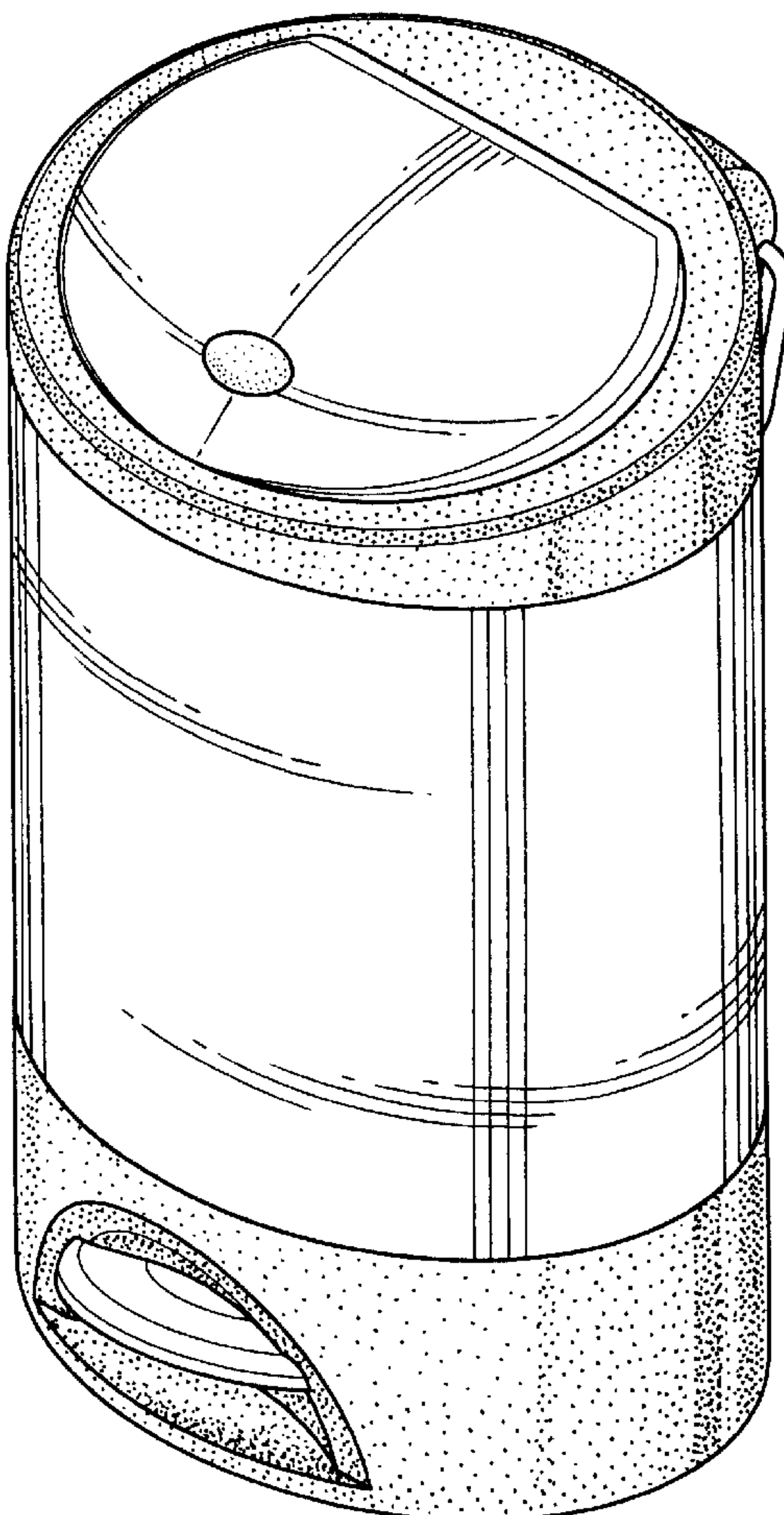
(57) **CLAIM**

The ornamental design for a trash can, as shown and described.

DESCRIPTION

FIG. 1 is a perspective view of a trash can showing my new design;
FIG. 2 is a front elevational view thereof;
FIG. 3 is a rear elevational view thereof;
FIG. 4 is a left side elevational view thereof;
FIG. 5 is a right side elevational view thereof;
FIG. 6 is a top plan view thereof; and,
FIG. 7 is a bottom plan view thereof.

1 Claim, 6 Drawing Sheets



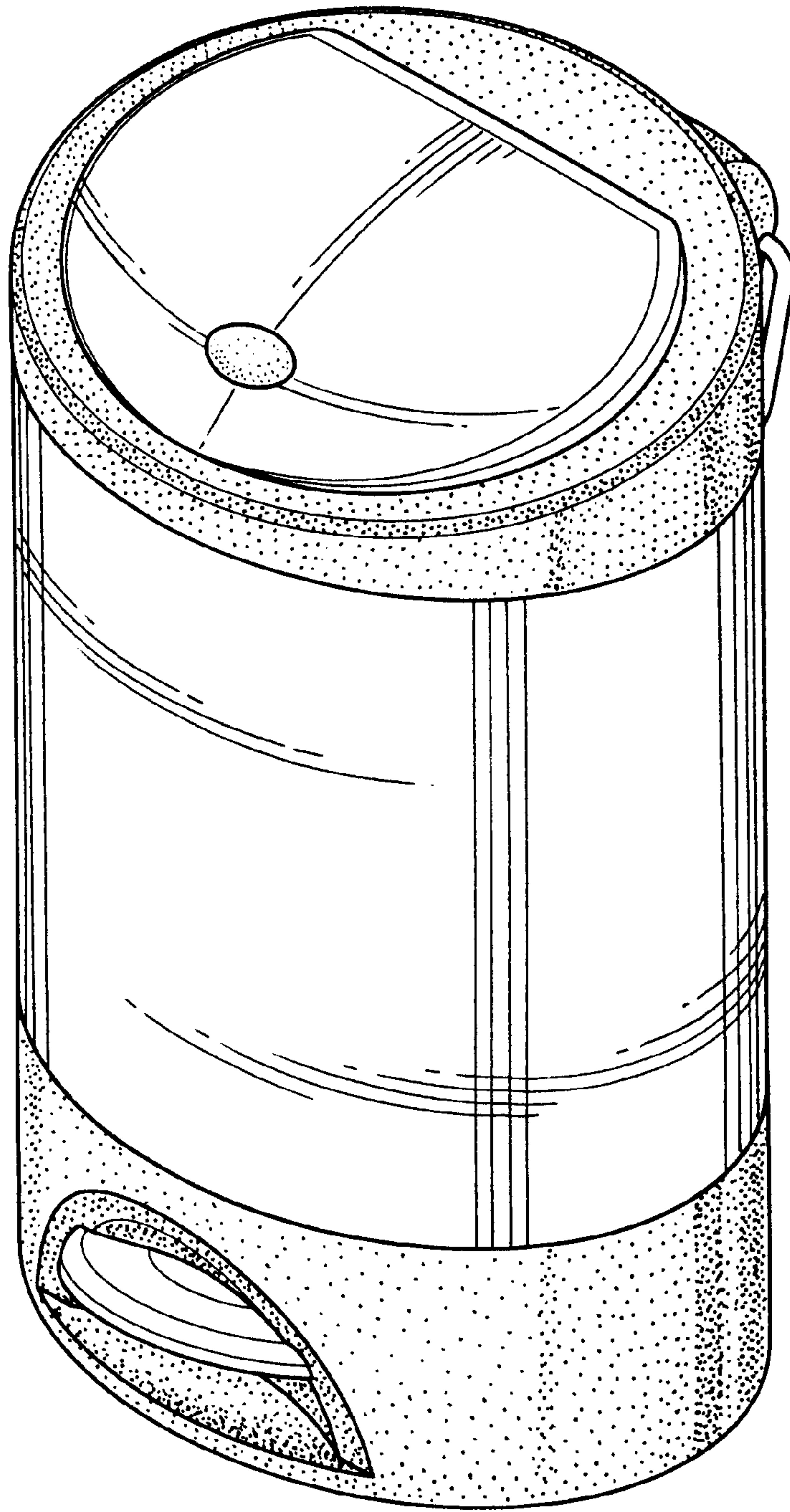


FIG. 1

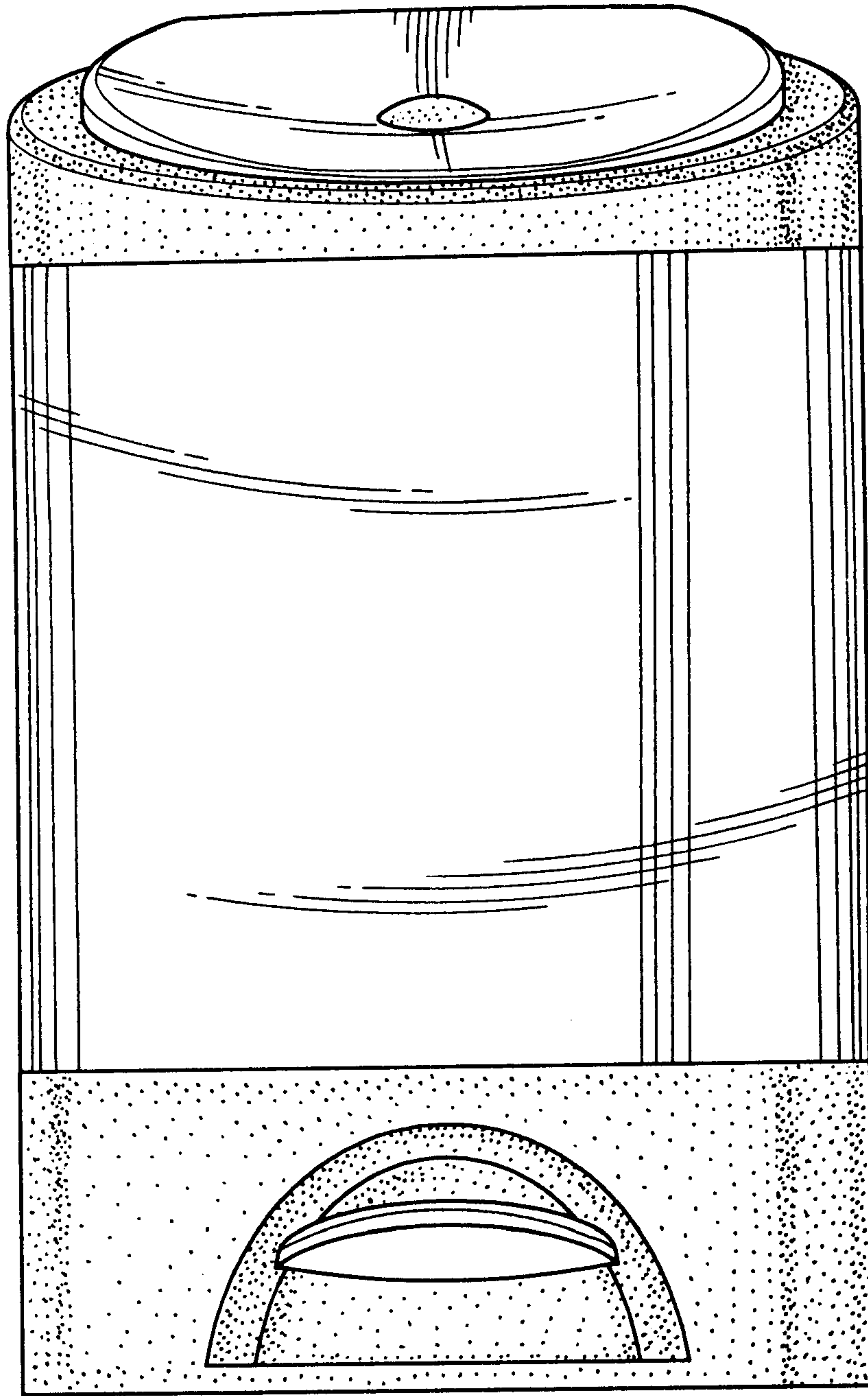


FIG. 2

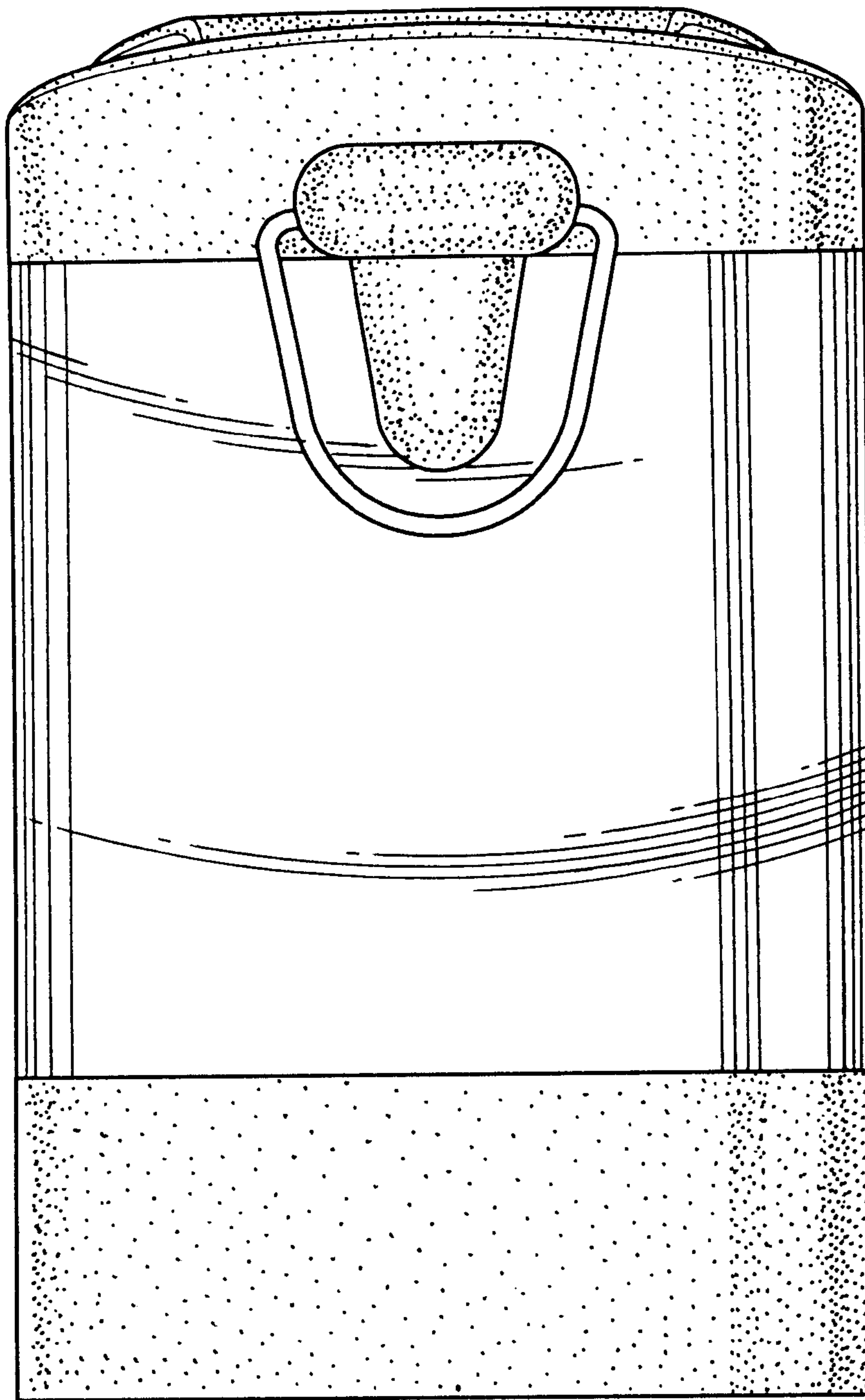


FIG. 3

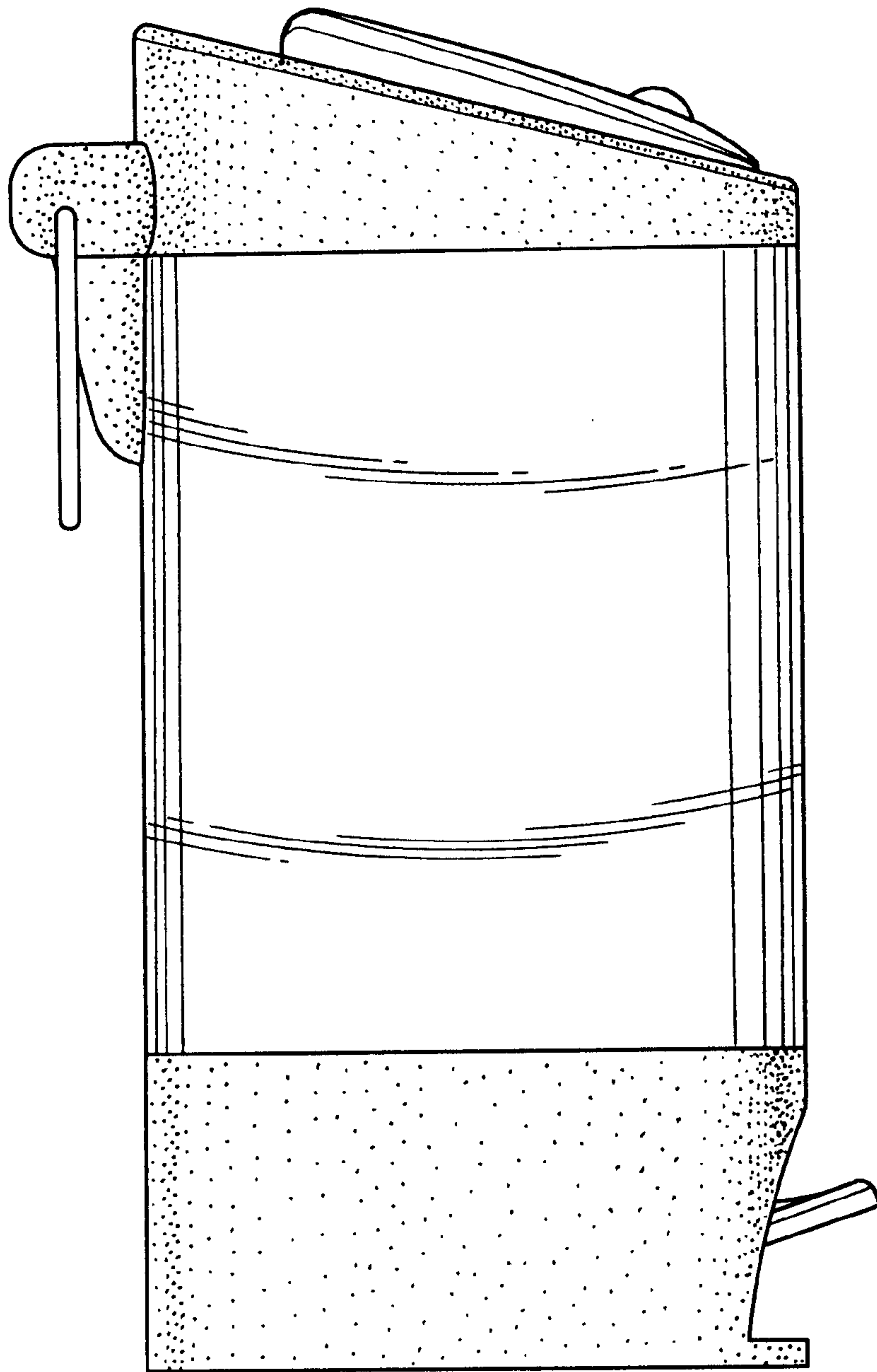


FIG. 4

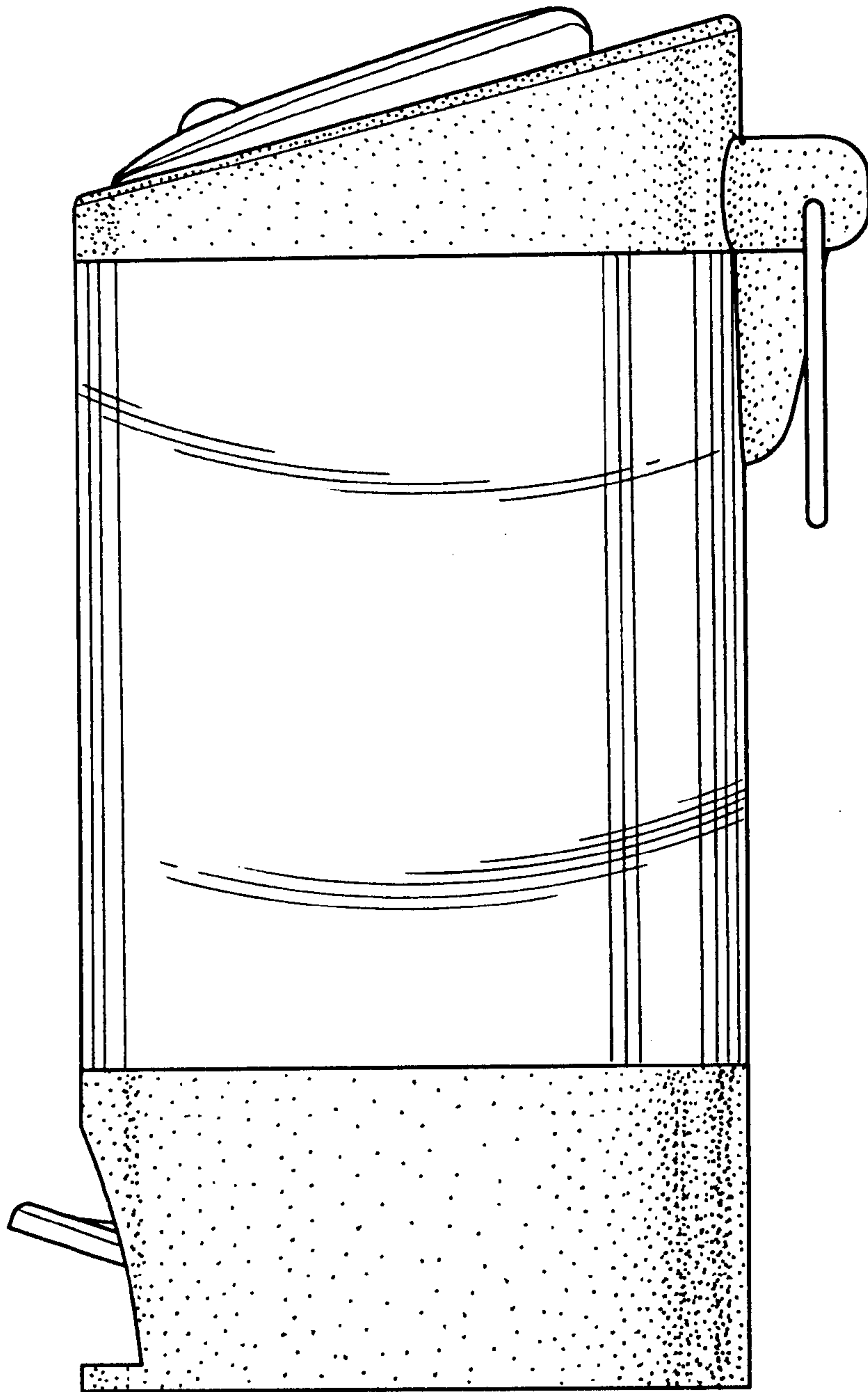


FIG. 5

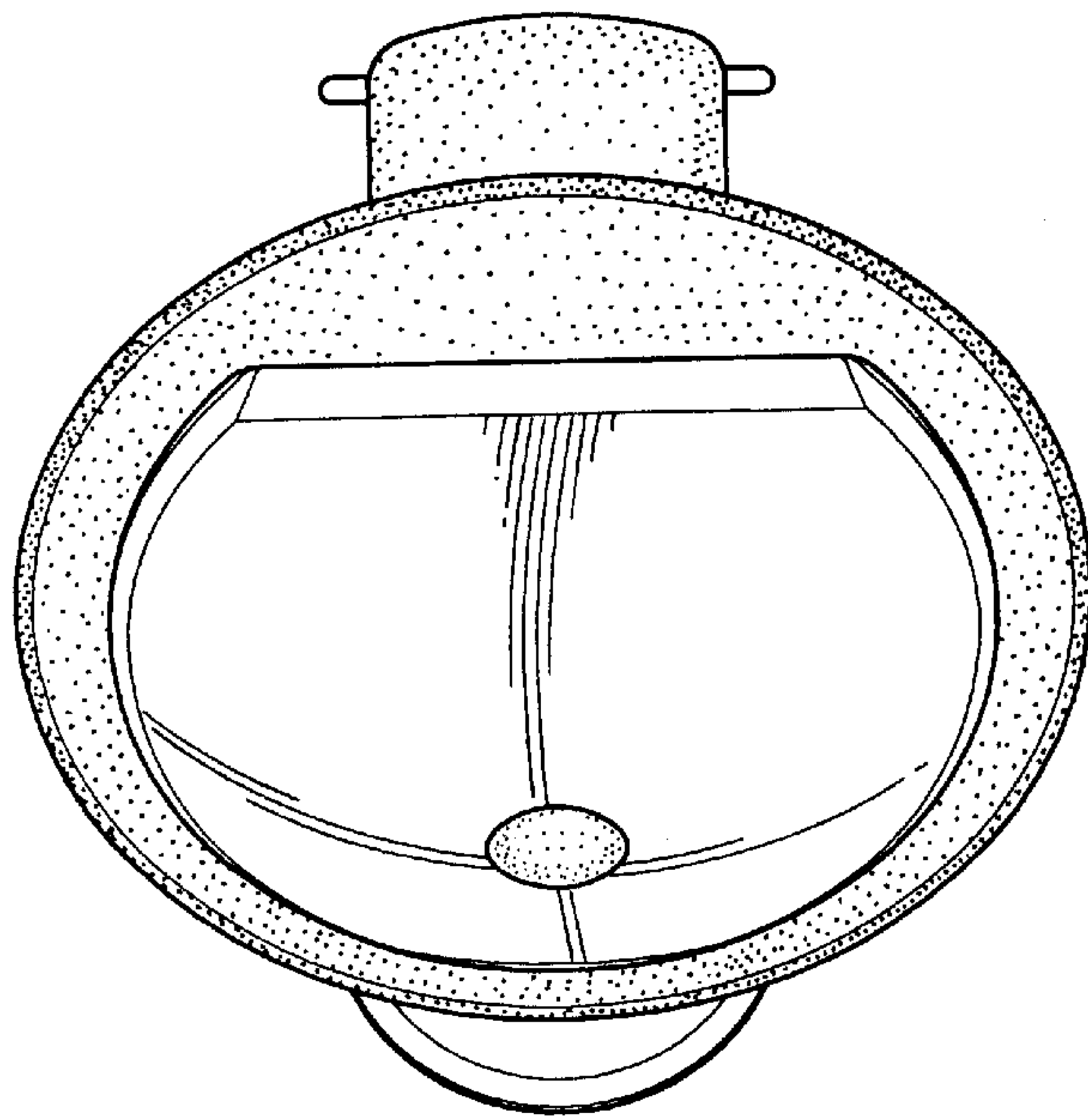


FIG. 6

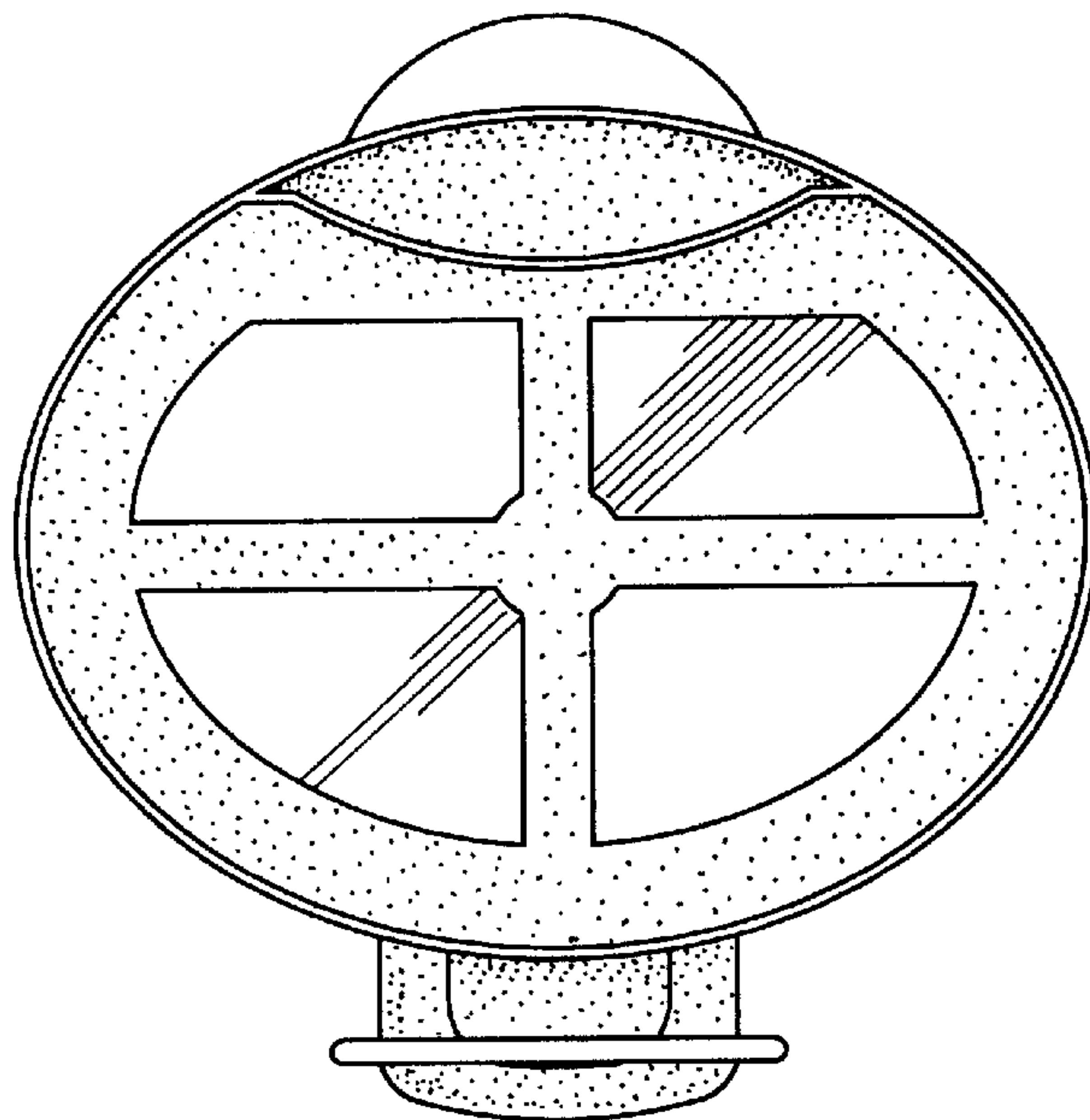


FIG. 7