



US00D480191S

(12) **United States Design Patent**
Glaser

(10) **Patent No.:** **US D480,191 S**

(45) **Date of Patent:** **** Sep. 30, 2003**

(54) **PAINT TRAY SUPPORT**

(76) **Inventor:** **Don Glaser**, 1707 N. Ellis Rd., Sioux Falls, SD (US) 57101

(**) **Term:** **14 Years**

(21) **Appl. No.:** **29/163,496**

(22) **Filed:** **Jul. 3, 2002**

(51) **LOC (7) Cl.** **07-07**

(52) **U.S. Cl.** **D32/54; D25/68**

(58) **Field of Search** D8/366, 373, 380,
D8/16; D25/68, 119; D32/53.1, 54; 108/152;
182/129; 248/210, 211, 238

(56) **References Cited**

U.S. PATENT DOCUMENTS

D29,796 S	*	12/1898	Lane	D25/119
1,245,958 A	*	11/1917	O'Connor	248/210
D185,897 S	*	8/1959	Stark	D8/380 X
3,822,847 A		7/1974	Emmons		
D257,993 S	*	1/1981	DeMars	D8/366 X
D266,964 S		11/1982	Rasheed		
D272,981 S	*	3/1984	Justice	D8/16
5,052,581 A		10/1991	Christ et al.		
5,511,753 A		4/1996	Lage		
5,816,363 A		10/1998	Searcy		
5,836,043 A		11/1998	Rovas		
5,873,433 A	*	2/1999	Katz	182/129

D409,077 S	*	5/1999	Brooks	D8/366 X
5,957,238 A		9/1999	Curvin, II		
6,012,689 A		1/2000	Sisca		
6,341,666 B1		1/2002	Allen		

* cited by examiner

Primary Examiner—Alan P. Douglas
Assistant Examiner—Lavone D. Tabor

(57) **CLAIM**

The ornamental design for a paint tray support, as shown and described.

DESCRIPTION

FIG. 1 is a front elevational view of the paint tray support of the present invention;
 FIG. 2 is a rear elevational view of the paint tray support of FIG. 1;
 FIG. 3 is a left side elevational view of the paint tray support of FIG. 1, the right side elevational view being a mirror image thereof;
 FIG. 4 is a top plan view of the paint tray support of FIG. 1;
 FIG. 5 is a bottom plan view of the paint tray support of FIG. 1; and,
 FIG. 6 is a top, front, right side perspective view of the paint tray support of FIG. 1.

1 Claim, 6 Drawing Sheets

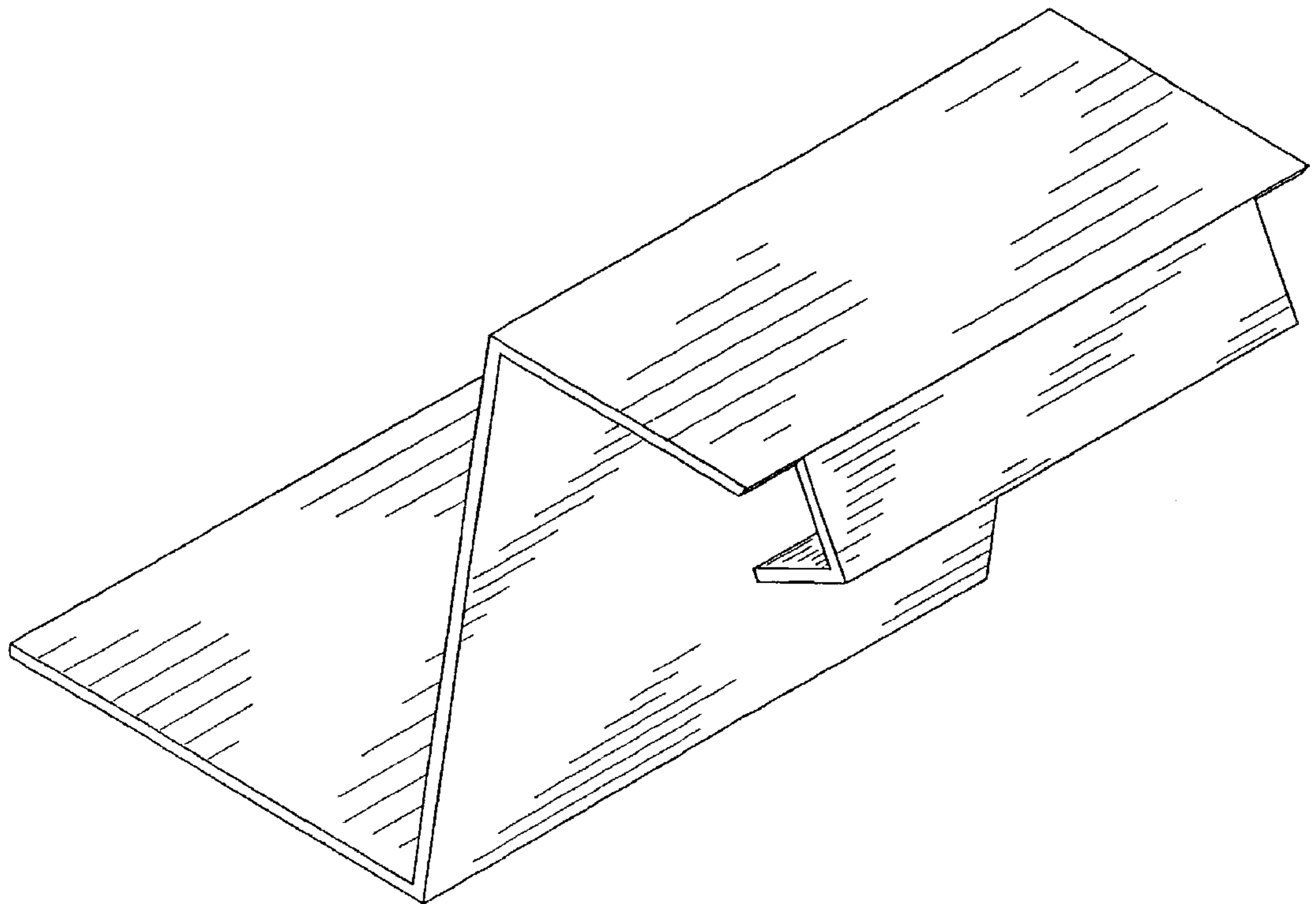


Fig. 1

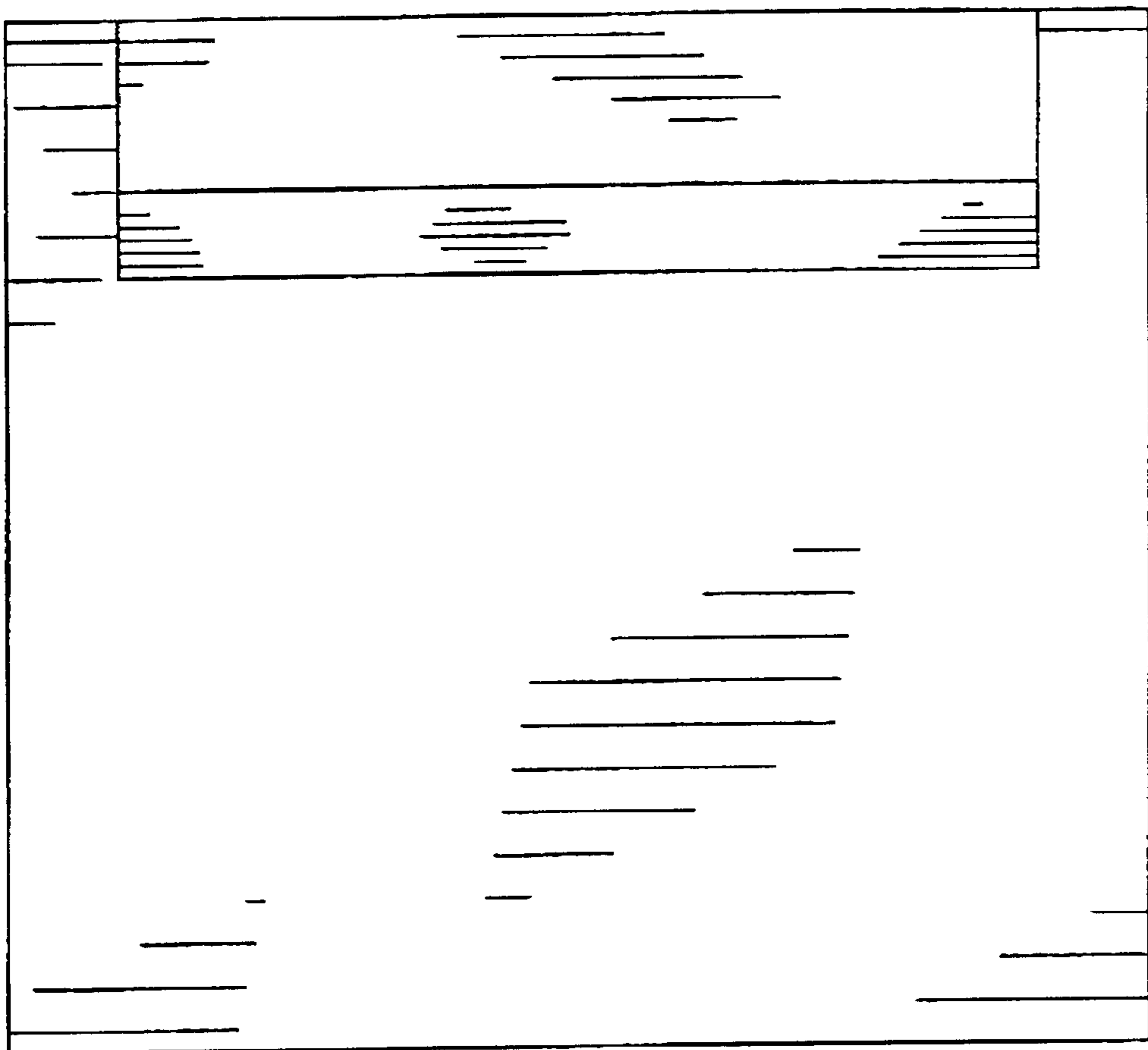


Fig. 2

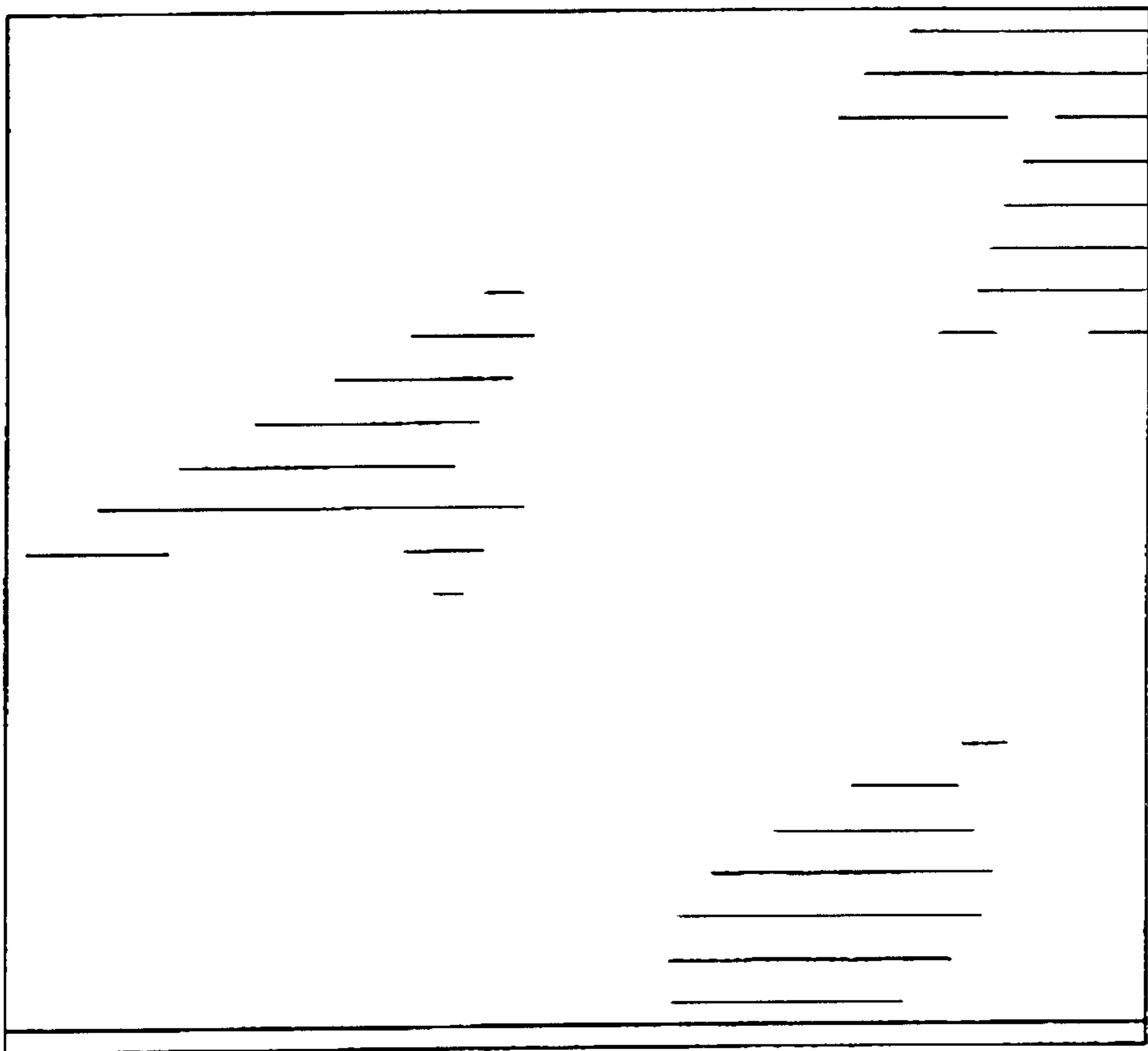


Fig. 3

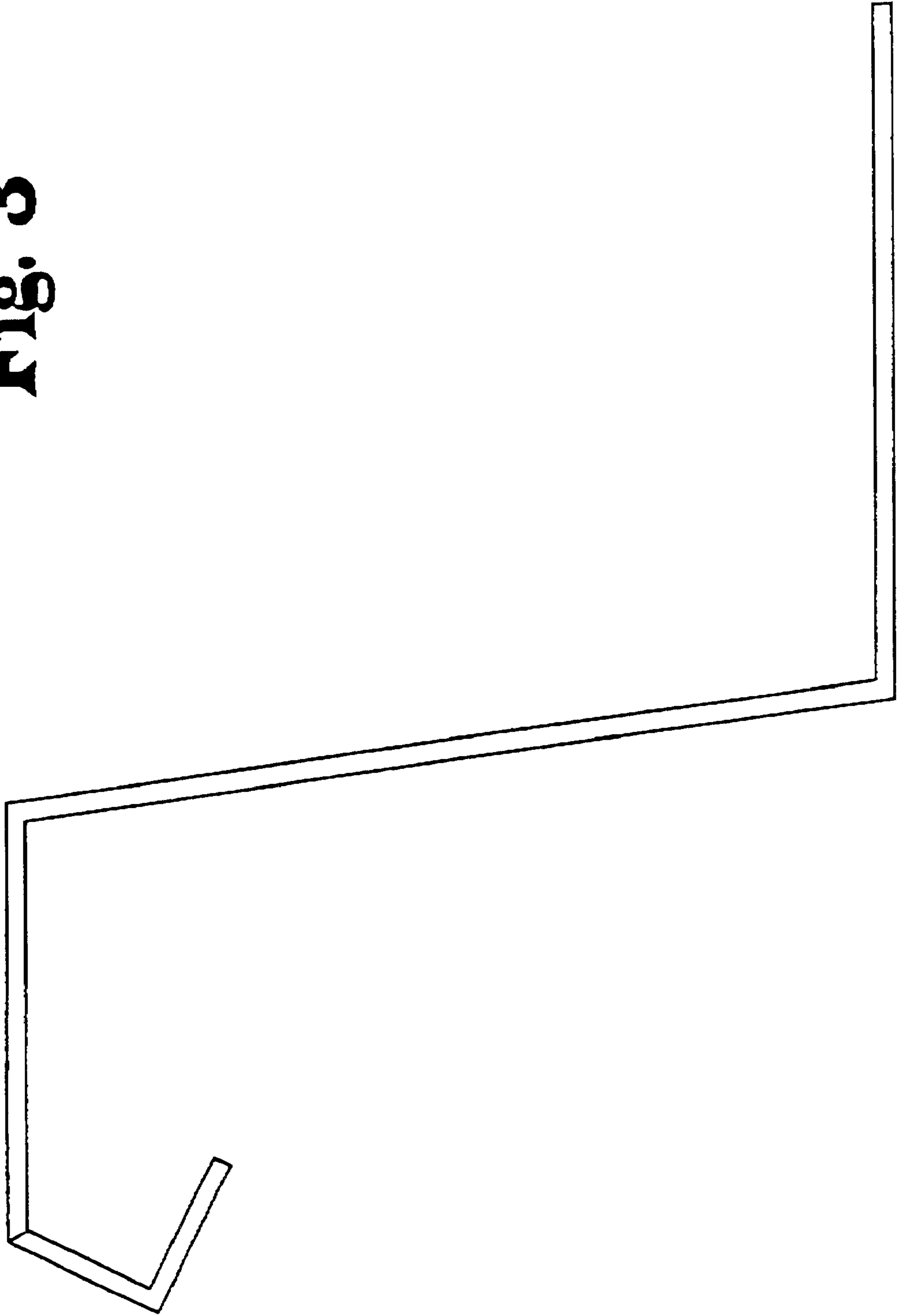


Fig. 4

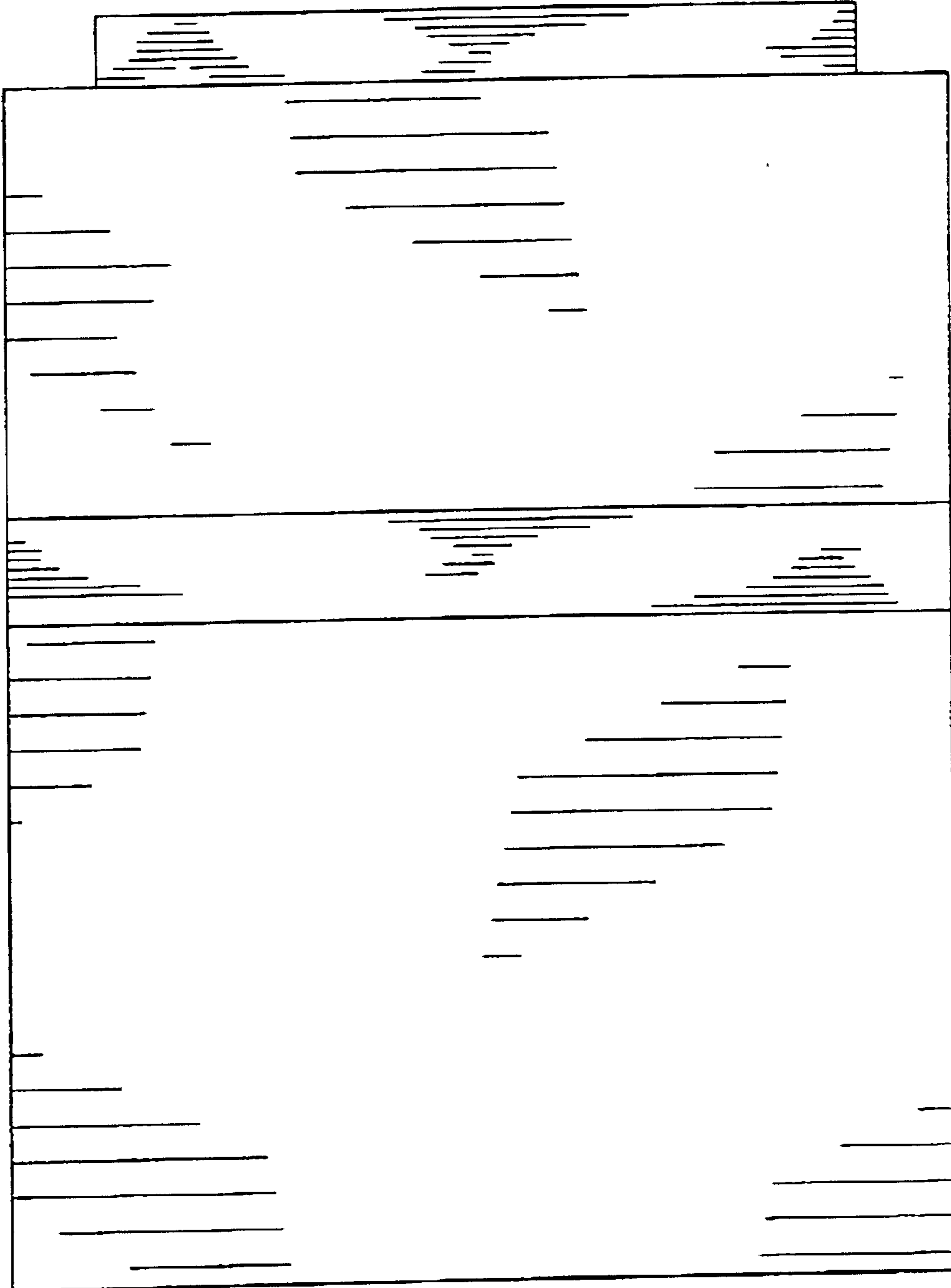
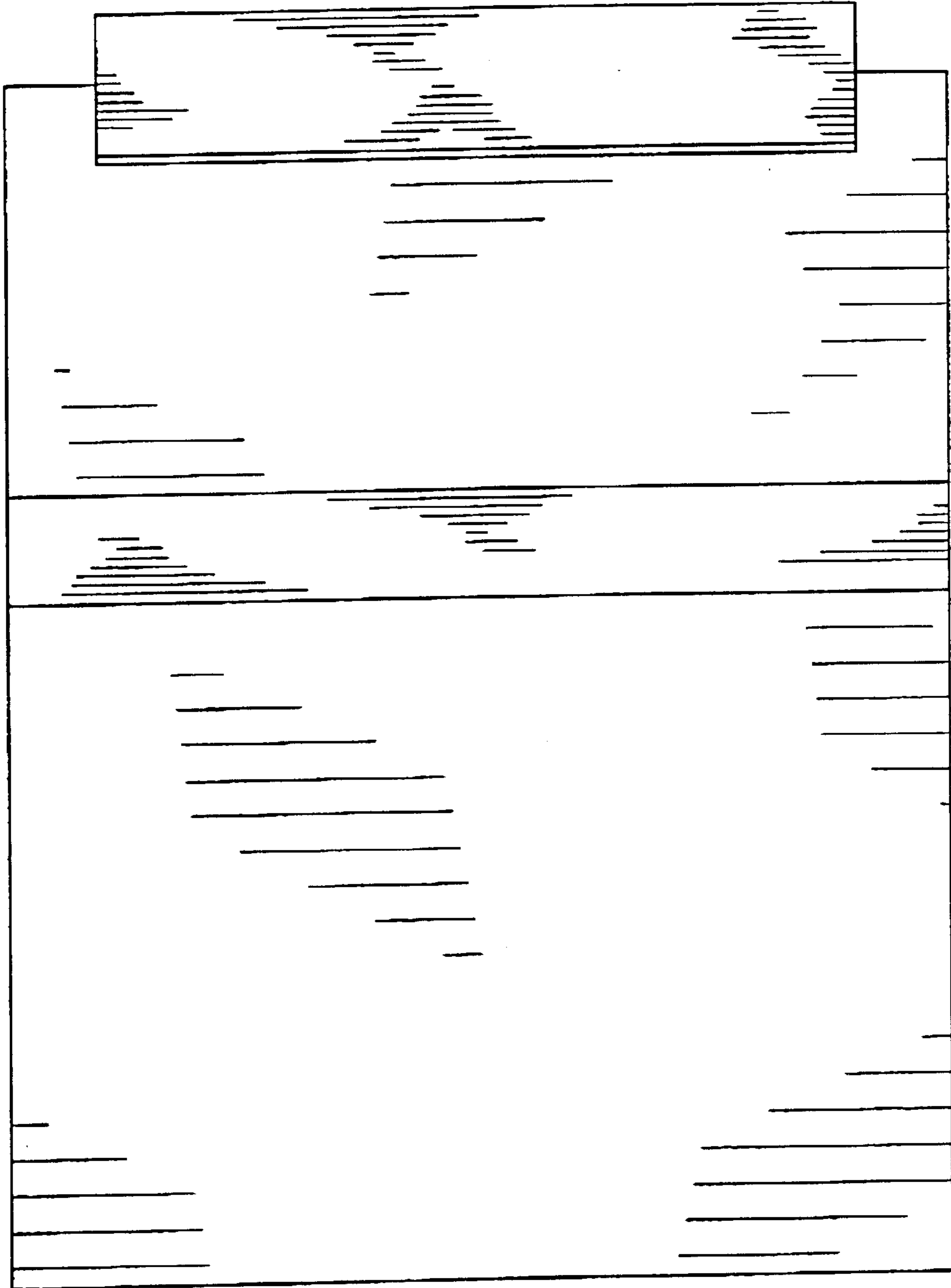


Fig. 5



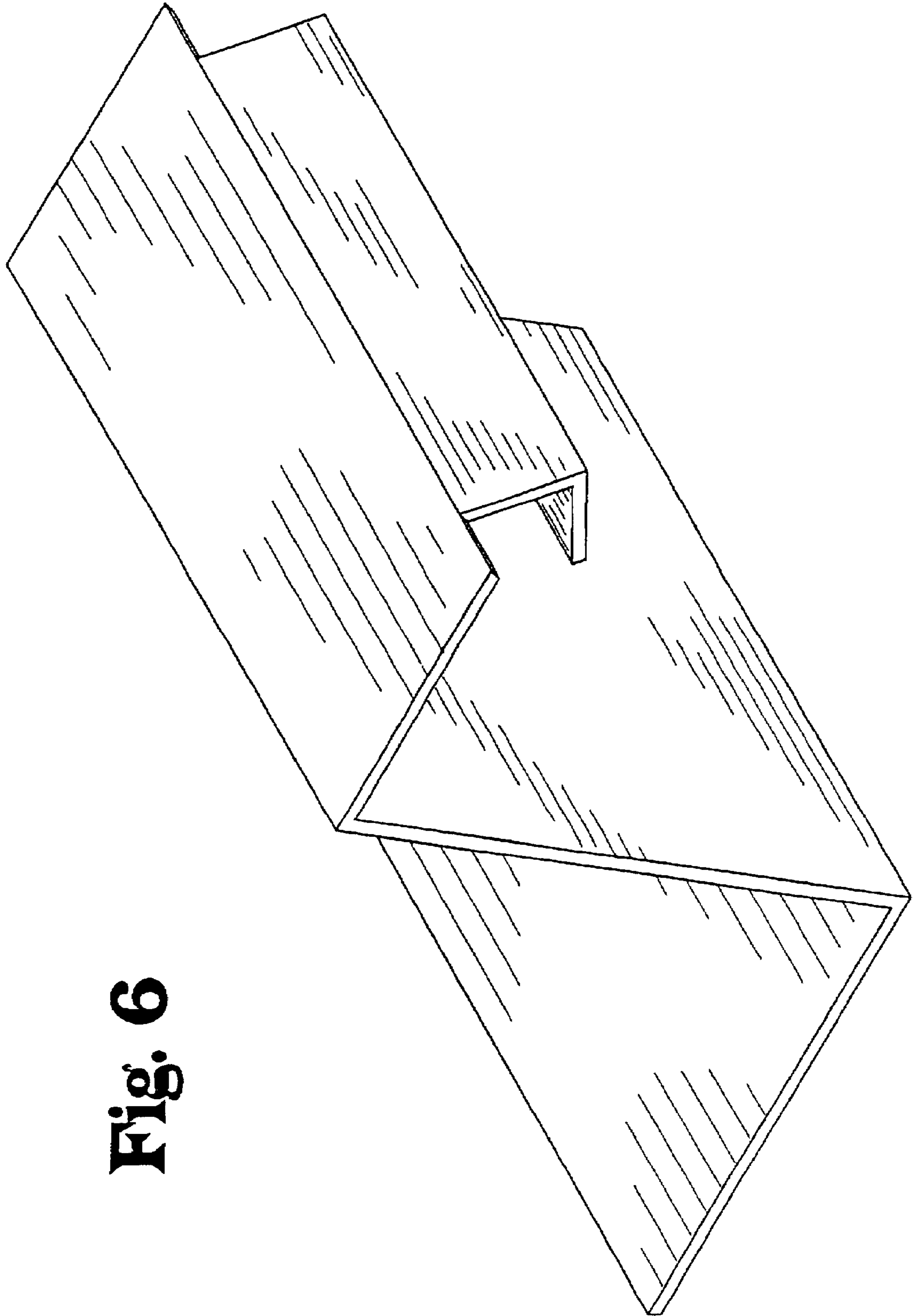


Fig. 6