



US00D480184S

(12) **United States Design Patent**  
**Brown**

(10) **Patent No.:** **US D480,184 S**

(45) **Date of Patent:** **\*\* Sep. 30, 2003**

(54) **COMBINED TEAT CUP SHELL AND  
REPLACEABLE LINER THEREFOR**

(76) **Inventor:** **Stan A. Brown**, 2144 Chardony,  
Hanford, CA (US) 93230

(\*\*) **Term:** **14 Years**

(21) **Appl. No.:** **29/158,932**

(22) **Filed:** **Apr. 12, 2002**

(51) **LOC (7) Cl.** ..... **30-99**

(52) **U.S. Cl.** ..... **D30/199**; 119/14.47

(58) **Field of Search** ..... D30/199, 158;  
119/14.01, 14.02, 14.08, 14.5, 14.38, 14.34,  
14.43, 14.23, 14.47, 14.54, 14.53

(56) **References Cited**

**U.S. PATENT DOCUMENTS**

2,340,296	A	*	2/1944	Bender	.....	119/14.02
2,621,626	A	*	12/1952	Harris	.....	119/53
2,687,112	A	*	8/1954	Shurts	.....	119/14.49
2,944,514	A	*	7/1960	Neseth	.....	119/14.49
3,148,661	A	*	9/1964	Lindsey	.....	119/14.5
4,610,220	A	*	9/1986	Goldberg et al.	.....	119/14.47
4,745,881	A		5/1988	Larson	.....	119/14.51
4,756,275	A		7/1988	Larson	.....	119/14.49
4,964,368	A		10/1990	Ball et al.	.....	119/14.49
D324,591	S	*	3/1992	Lallerstedt	.....	D30/199
D327,552	S	*	6/1992	Lallerstedt	.....	D30/199
5,482,004	A		1/1996	Chowdhury	.....	119/14.52

5,572,947	A		11/1996	Larson et al.	.....	119/14.51
5,666,904	A		9/1997	Grindal	.....	119/14.02
5,967,082	A	*	10/1999	Petterson et al.	.....	119/14.47
5,979,358	A		11/1999	Ornerfors et al.	.....	119/14.02
6,039,001	A		3/2000	Sanford	.....	119/14.47
6,058,879	A		5/2000	Miefalk	.....	119/14.47
6,164,243	A		12/2000	Larson	.....	119/14.49
6,176,200	B1		1/2001	Petterson	.....	119/14.47
D447,840	S		9/2001	Alveby et al.	.....	D30/199
6,308,656	B1		10/2001	Milbrath et al.	.....	119/14.47

\* cited by examiner

*Primary Examiner*—Pamela Burgess

(74) *Attorney, Agent, or Firm*—Daniel J. Meaney, Jr.

(57) **CLAIM**

The combined teat cup shell and replaceable liner therefor, as shown and described.

**DESCRIPTION**

FIG. 1 is a top, front and left side perspective view of a combined teat cup and replaceable liner therefor showing my new design;

FIG. 2 is a bottom, rear and right side perspective view thereof;

FIG. 3 is a front elevational view thereof;

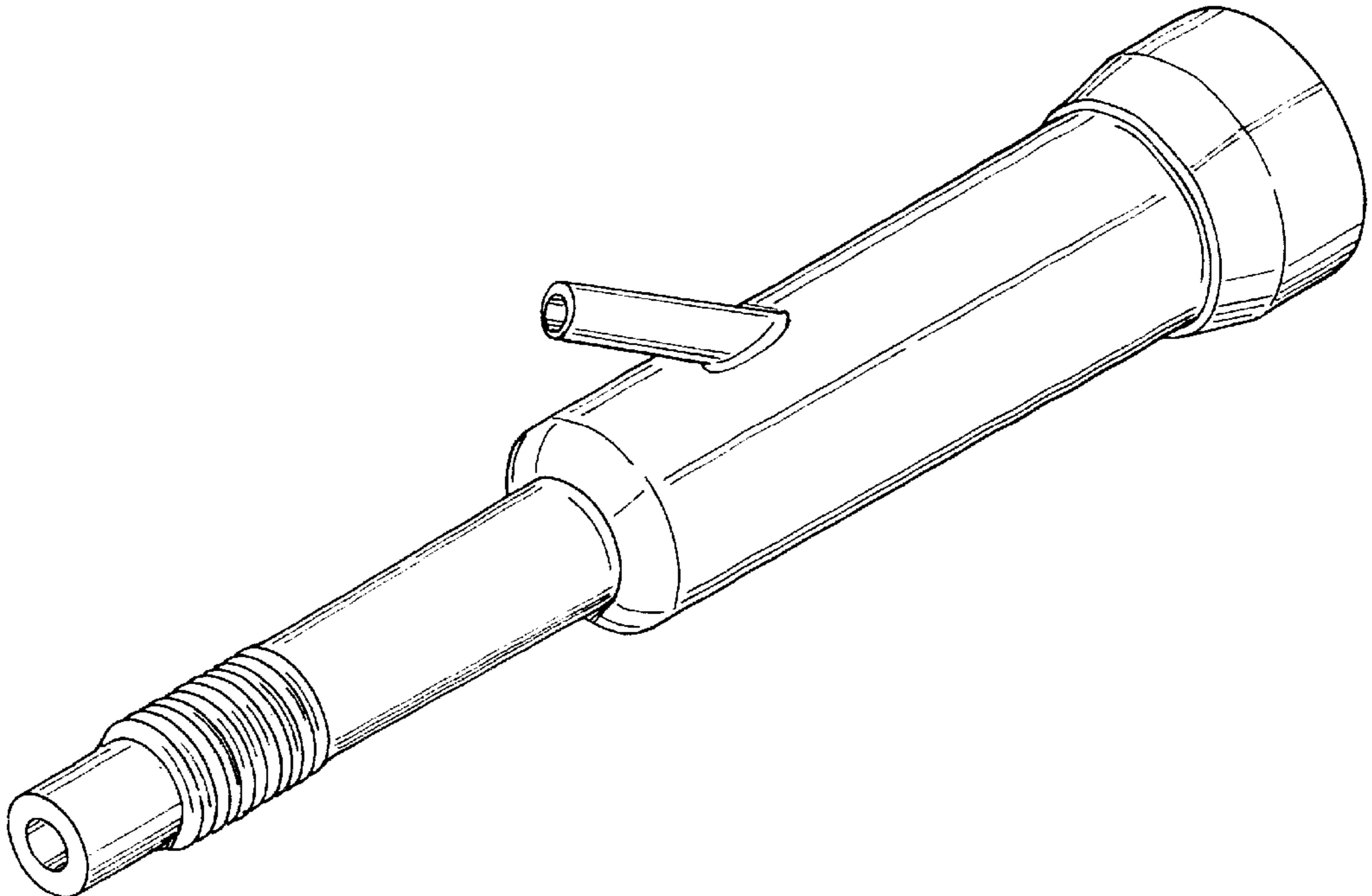
FIG. 4 is a left side elevational view thereof;

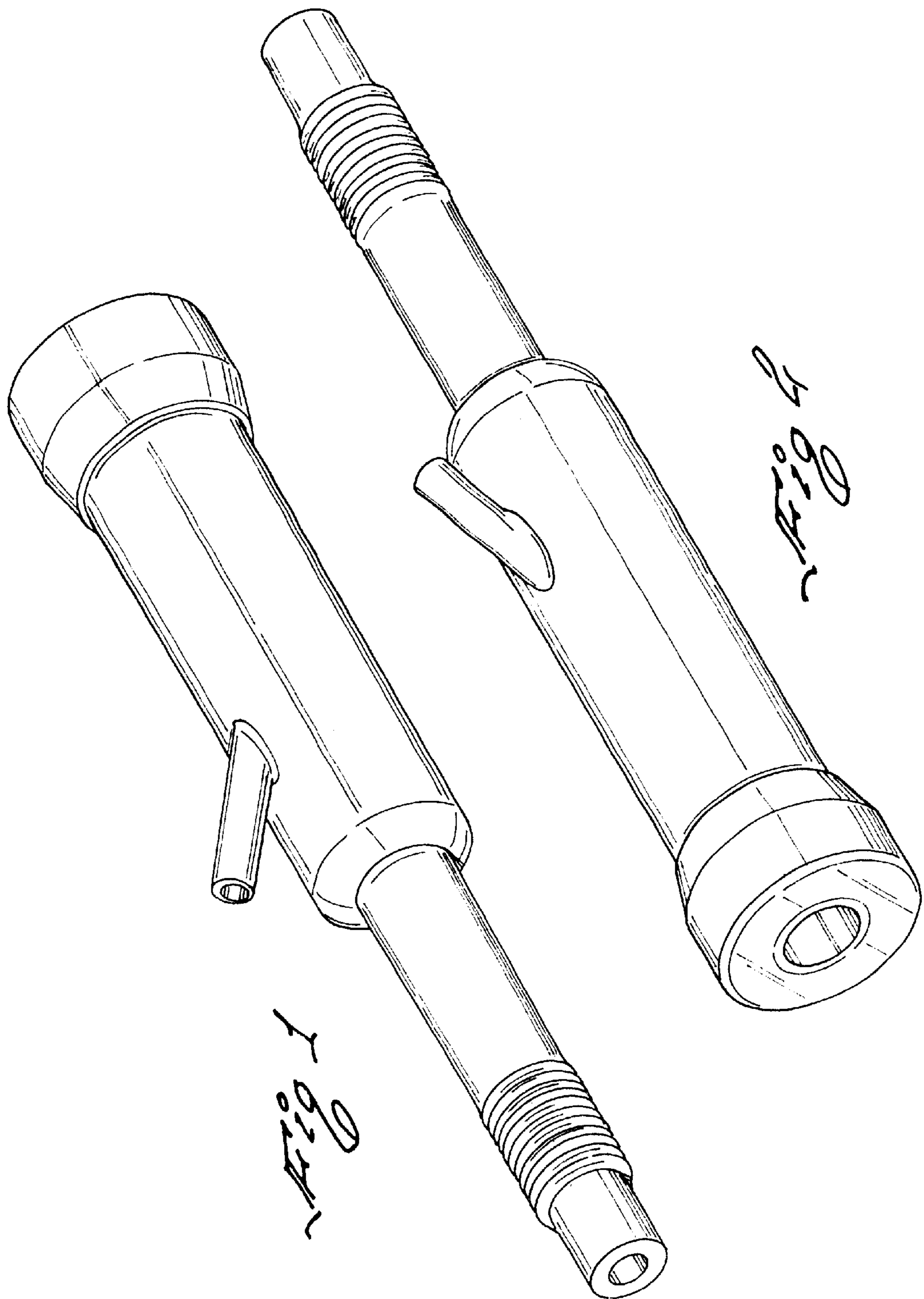
FIG. 5 is a right side elevational view thereof;

FIG. 6 is a top plan view thereof; and,

FIG. 7 is a bottom plan view thereof.

**1 Claim, 2 Drawing Sheets**





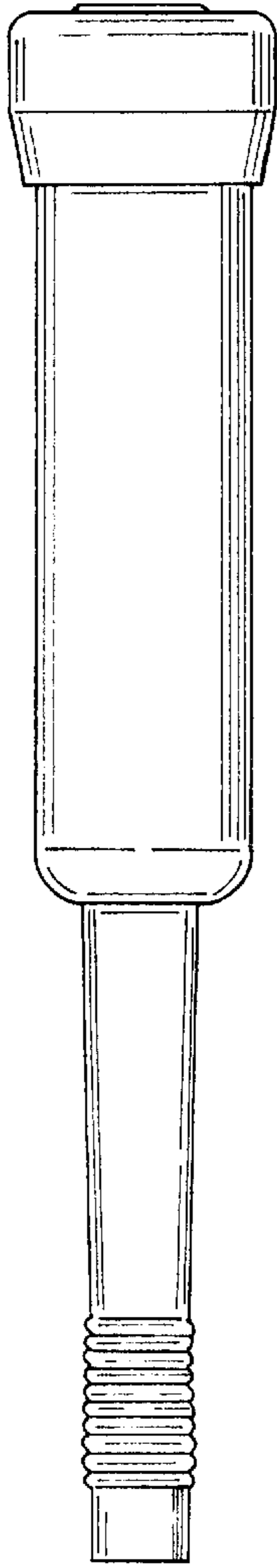


Fig. 1

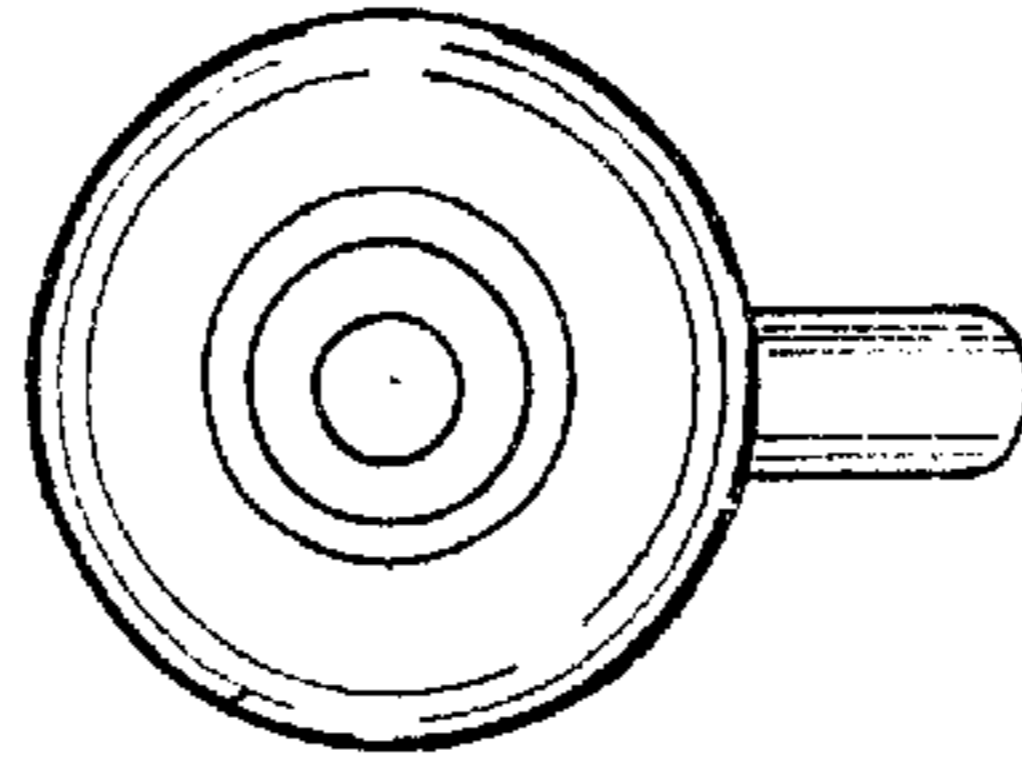


Fig. 5

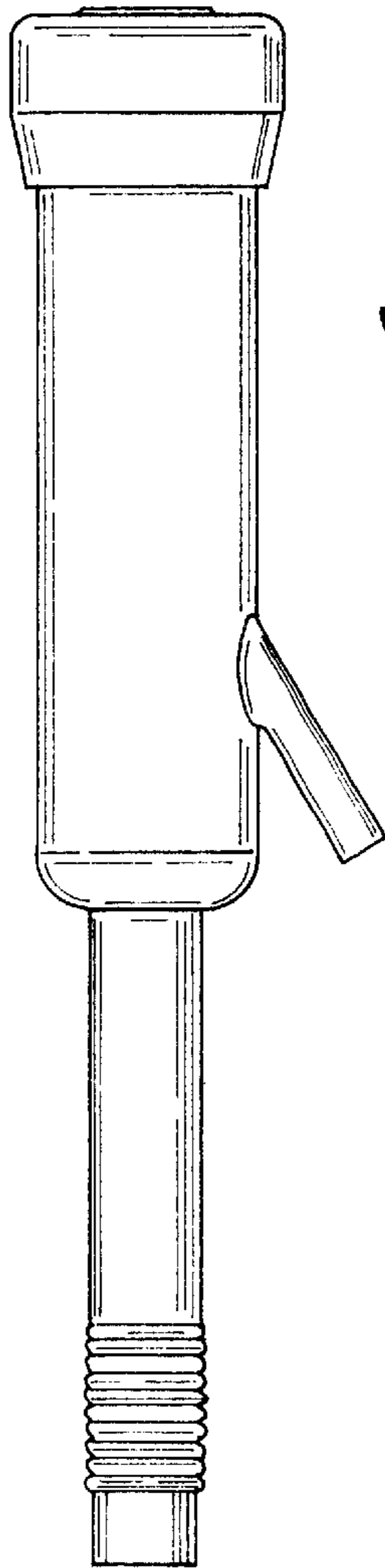


Fig. 3

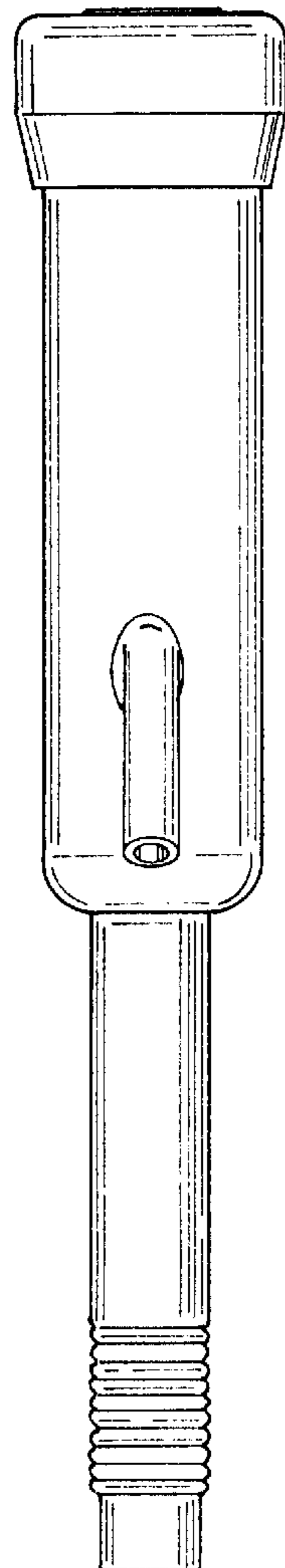


Fig. 6

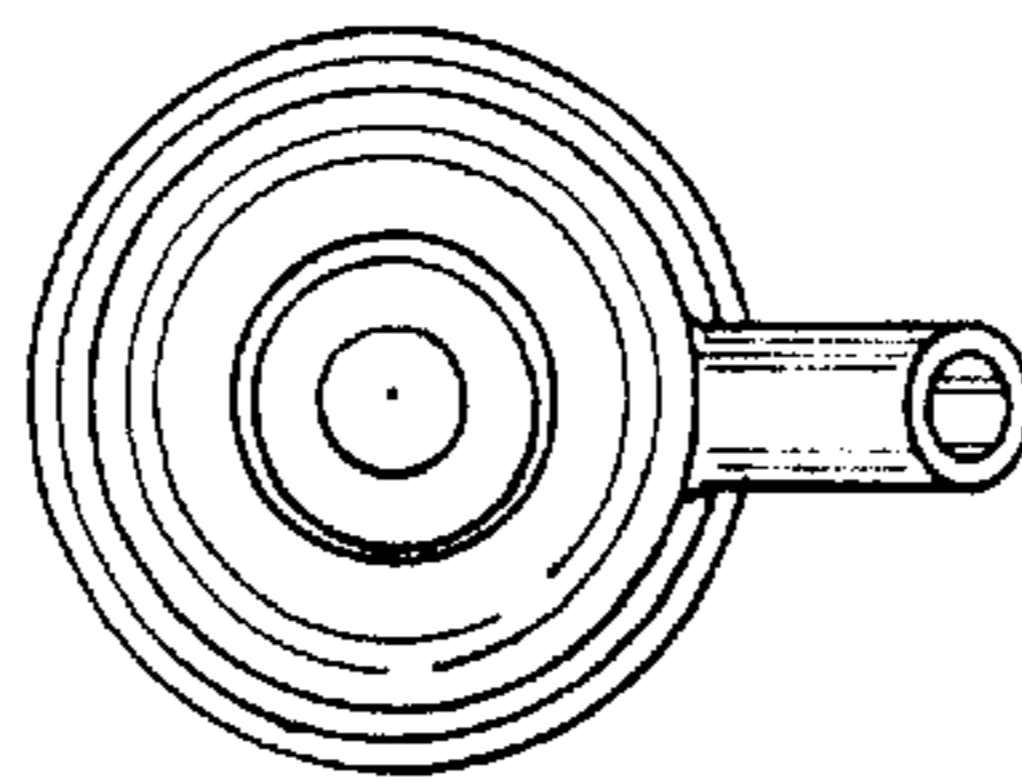


Fig. 4