



US00D480181S

(12) **United States Design Patent**
Sheng

(10) **Patent No.:** **US D480,181 S**

(45) **Date of Patent:** **** Sep. 30, 2003**

(54) **COSMETIC CASE**

(76) **Inventor:** **Wen-Cheng Sheng**, No. 71, Lane 96,
Da-Shing St., Tainan City (TW)

(**) **Term:** **14 Years**

(21) **Appl. No.:** **29/173,767**

(22) **Filed:** **Jan. 6, 2003**

(51) **LOC (7) Cl.** **28-03**

(52) **U.S. Cl.** **D28/83; D3/294**

(58) **Field of Search** **D28/73, 76, 78-84;**
D3/295, 294; 132/293-307, 314-315; 220/DIG. 26;
D9/334, 341, 423; 206/581, 823

(56) **References Cited**

U.S. PATENT DOCUMENTS

D244,669 S * 6/1977 Shiffman D9/423

D361,429 S * 8/1995 Mohundro D3/294

* cited by examiner

Primary Examiner—Jennifer Rivard

(74) *Attorney, Agent, or Firm*—Ladas & Parry

(57) **CLAIM**

The ornamental design for a cosmetic case, as shown and described.

DESCRIPTION

FIG. 1 is a perspective view of cosmetic case showing my new design;

FIG. 2 is a front elevational view thereof;

FIG. 3 is a rear elevational view thereof;

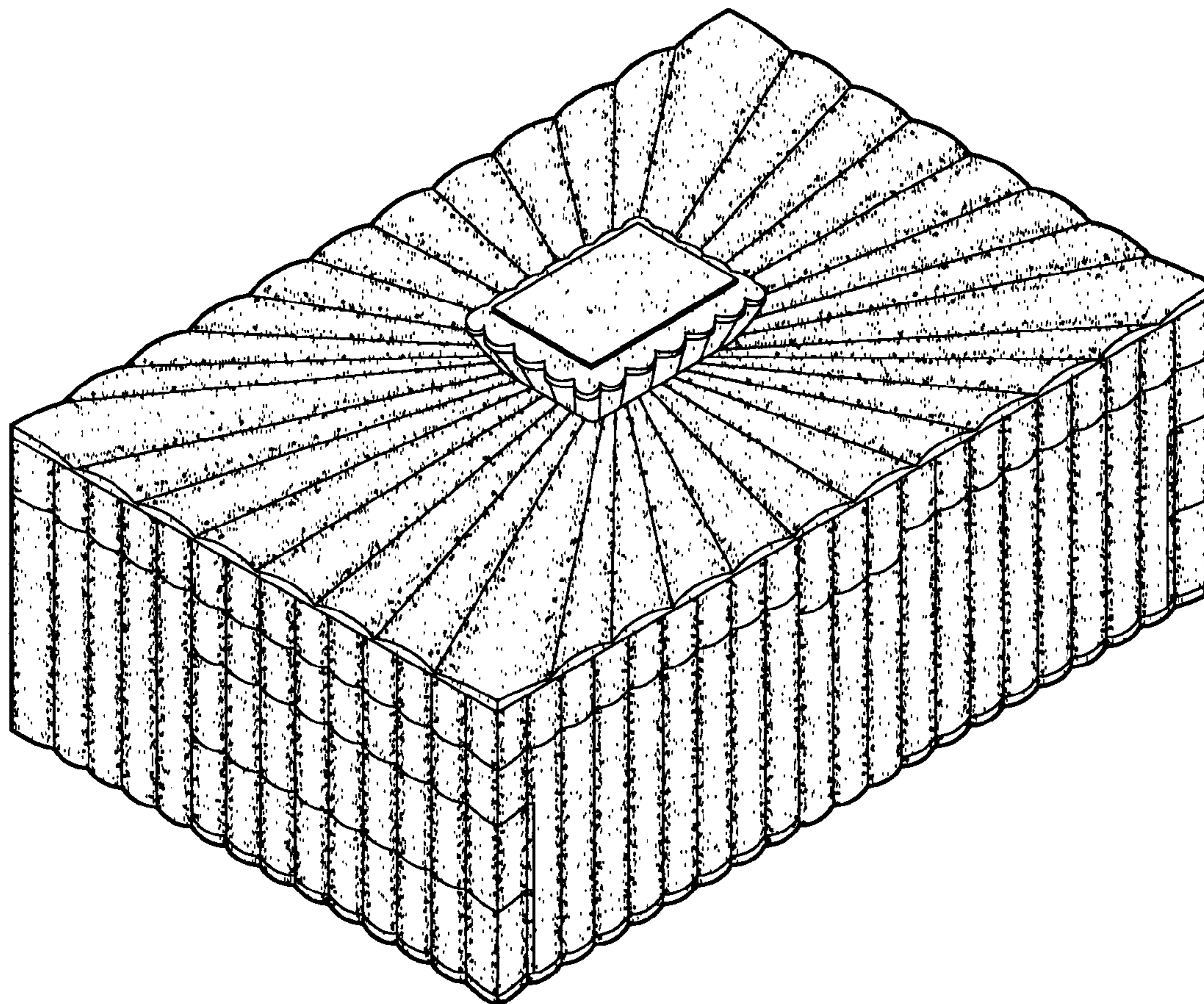
FIG. 4 is a left side elevational view thereof;

FIG. 5 is a right side elevational view thereof;

FIG. 6 is a top plan view thereof; and,

FIG. 7 is a bottom plan view thereof.

1 Claim, 4 Drawing Sheets



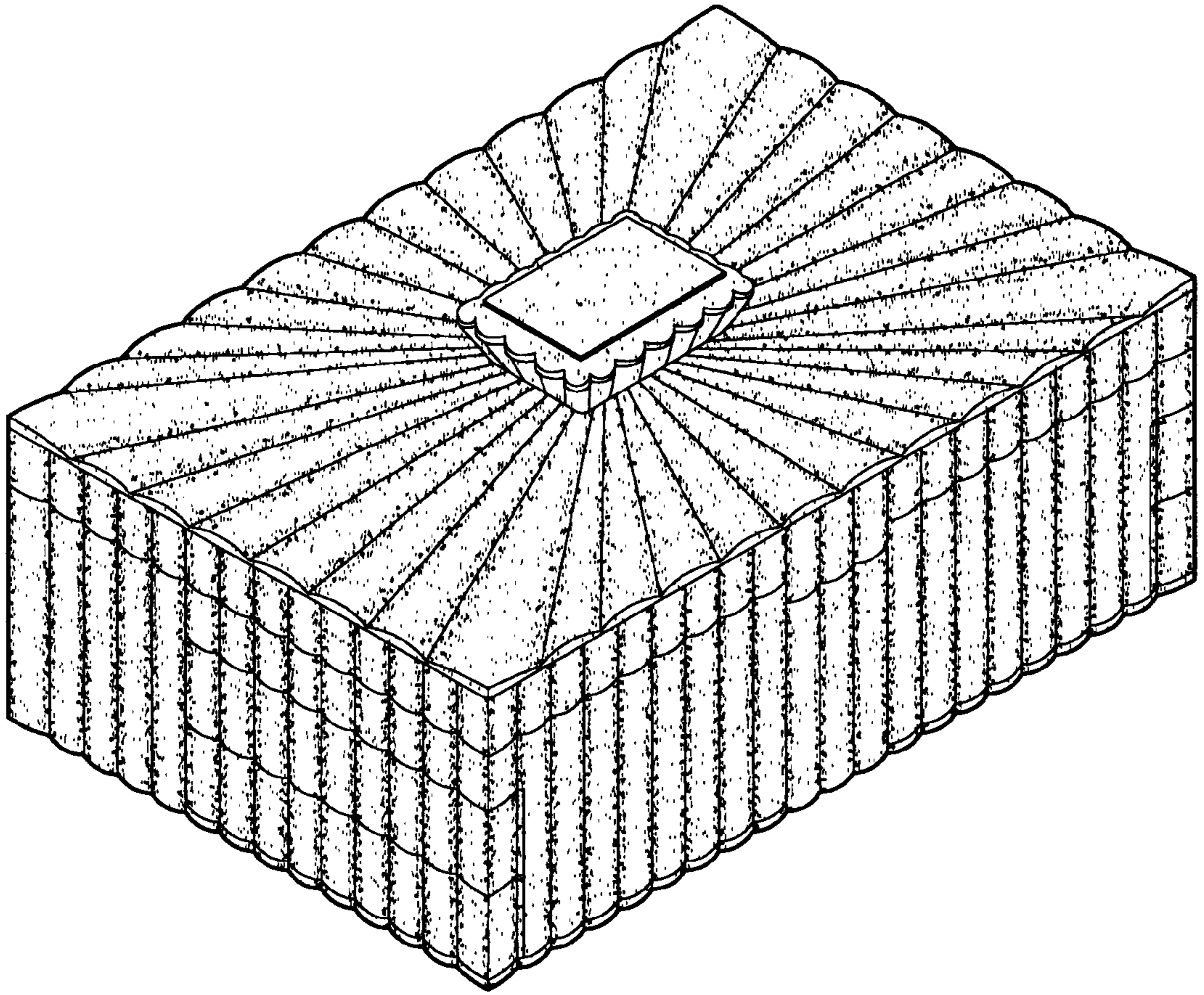


FIG. 1

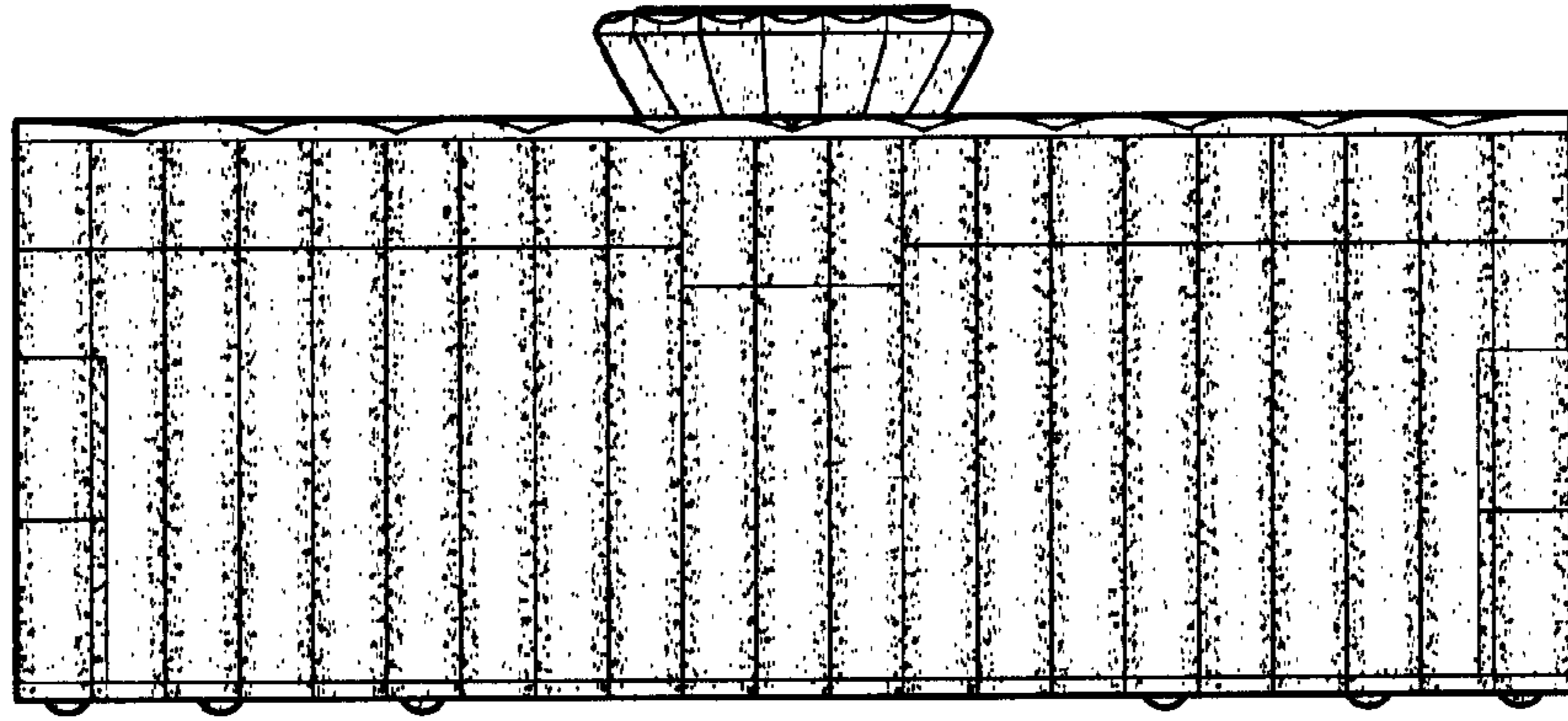


FIG. 2

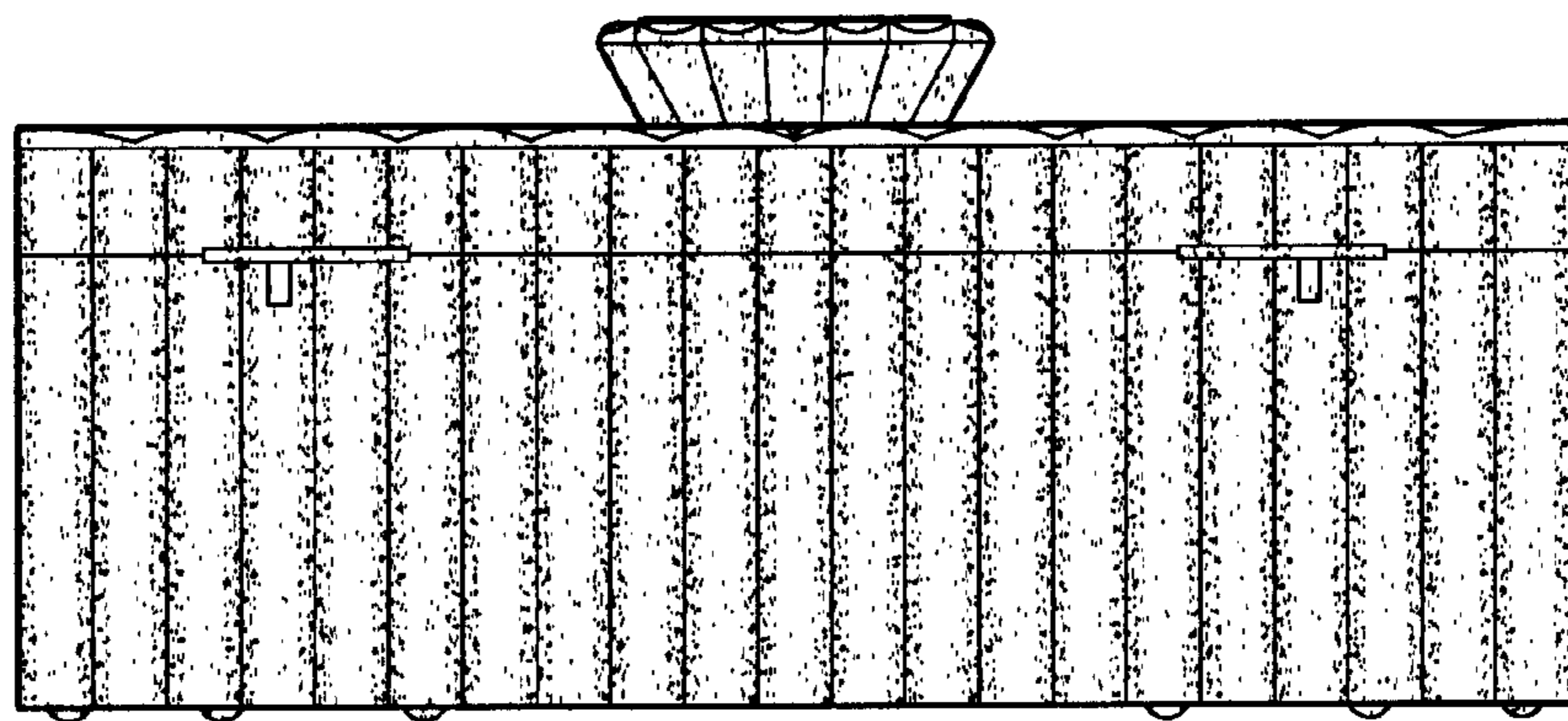


FIG. 3

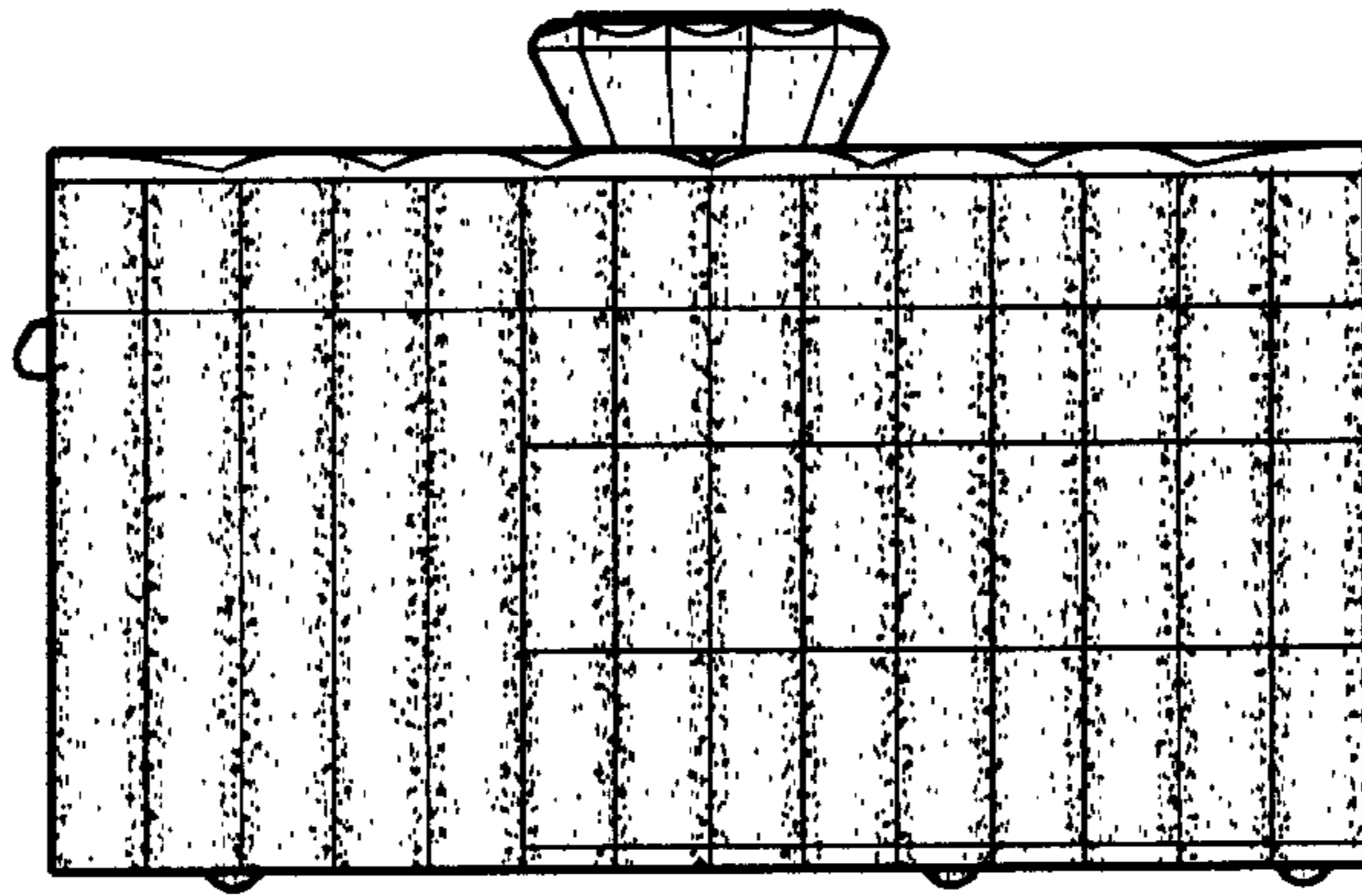


FIG. 4

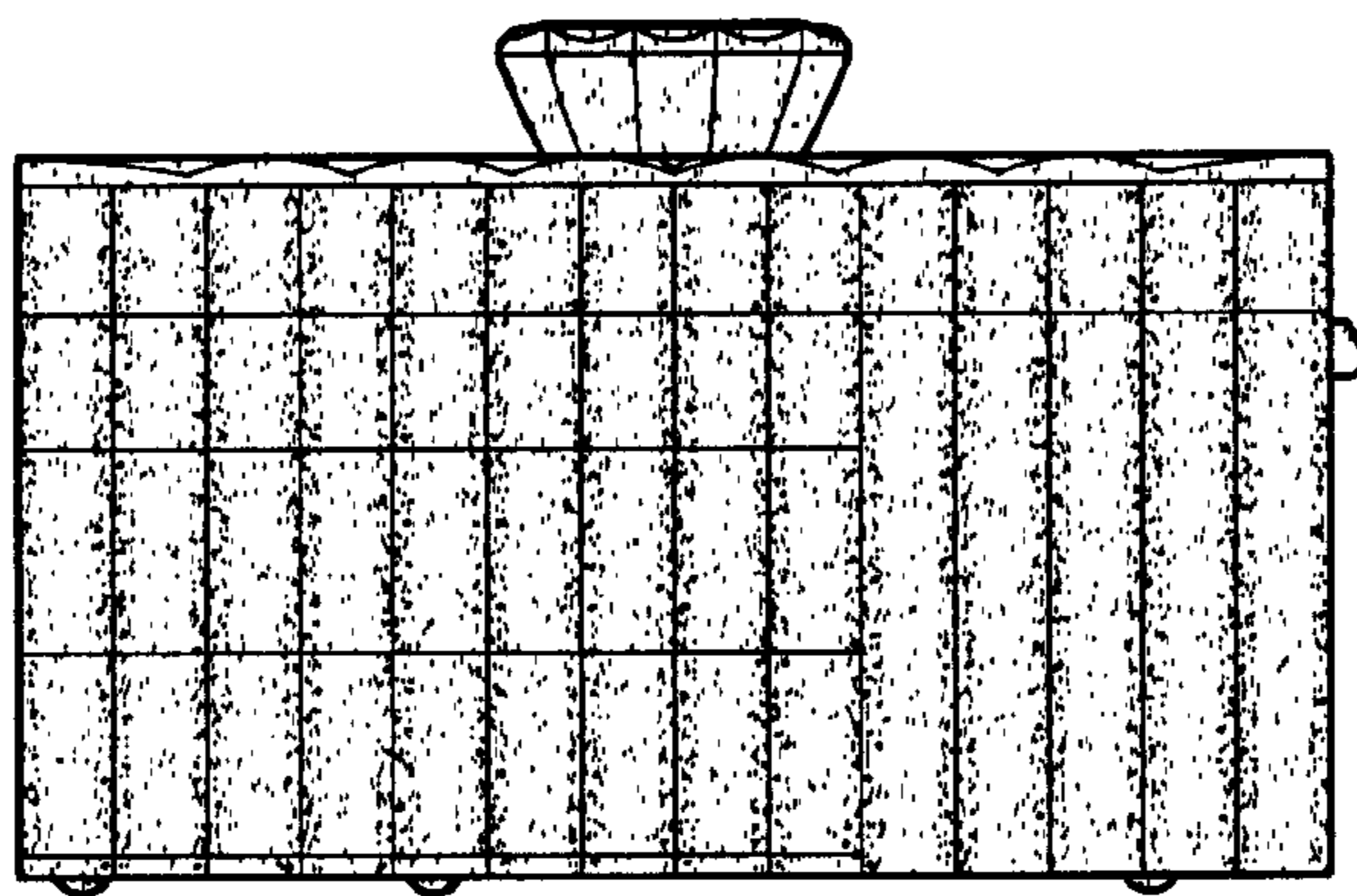


FIG. 5

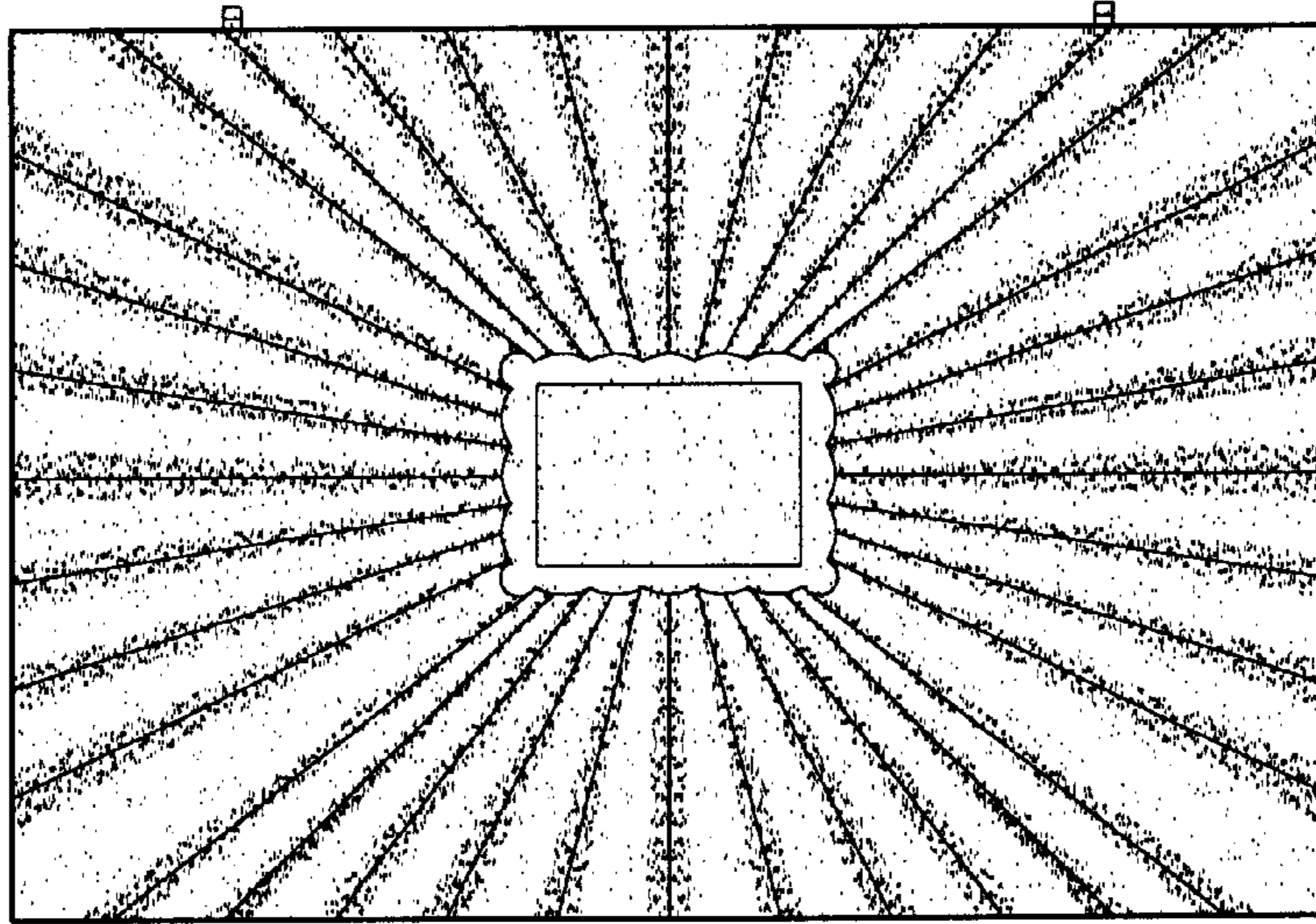


FIG. 6

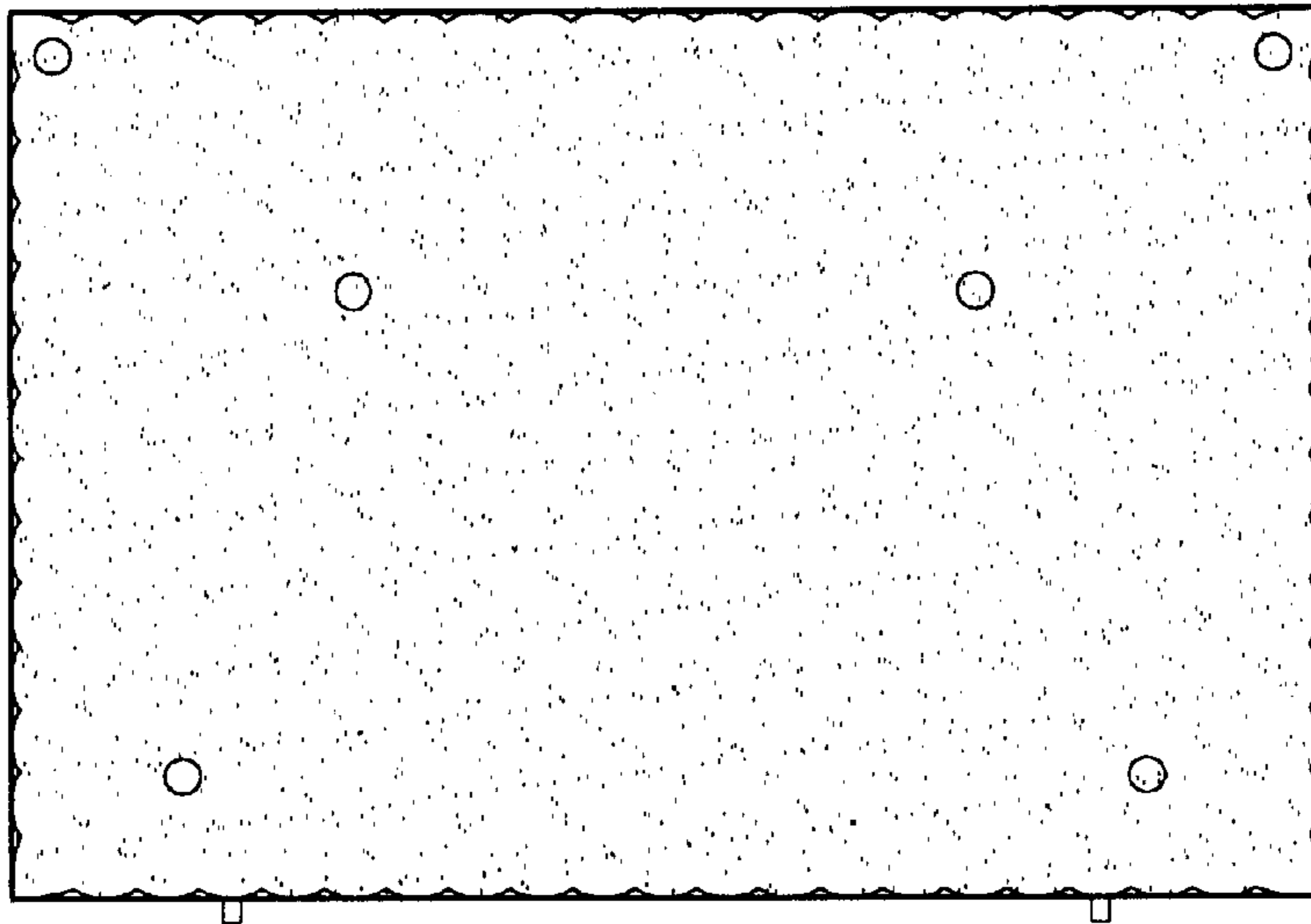


FIG. 7