



US00D480178S

(12) **United States Design Patent**
Arline

(10) **Patent No.:** **US D480,178 S**

(45) **Date of Patent:** **** Sep. 30, 2003**

(54) **BEAUTICIAN HAIR TREATMENT CONTAINER**

(74) *Attorney, Agent, or Firm*—Arthur G. Yeager

(76) **Inventor:** **Vanjanette C. Platt Arline**, 5518 Horse Stable La., Jacksonville, FL (US) 32258

(57) **CLAIM**

I claim the ornamental design for a beautician hair treatment container, as shown and described.

(**) **Term:** **14 Years**

DESCRIPTION

(21) **Appl. No.:** **29/163,308**

FIG. 1 is a top front perspective view of the first embodiment of a beautician hair treatment container showing my new design, the solid lid being shown particularly retracted; FIG. 2 is a front elevational view thereof; FIG. 3 is a top plan view thereof; FIG. 4 is a rear elevational view thereof; FIG. 5 is a left end elevational view thereof; FIG. 6 is a bottom plan view thereof; FIG. 7 is a right end elevational view thereof; FIG. 8 is a top plan view of the second embodiment of the lid, it being understood that the lid and the container of the first embodiment are packaged as a unit; and, FIG. 9 is a top plan view of the third embodiment of the lid, it being understood that the lid and container of the first embodiment are packaged as a unit.

(22) **Filed:** **Jul. 2, 2002**

(51) **LOC (7) Cl.** **28-03**

(52) **U.S. Cl.** **D28/77; D28/83**

(58) **Field of Search** **D28/78-84, 77; 132/293-307, 314, 315; 206/581, 823**

(56) **References Cited**

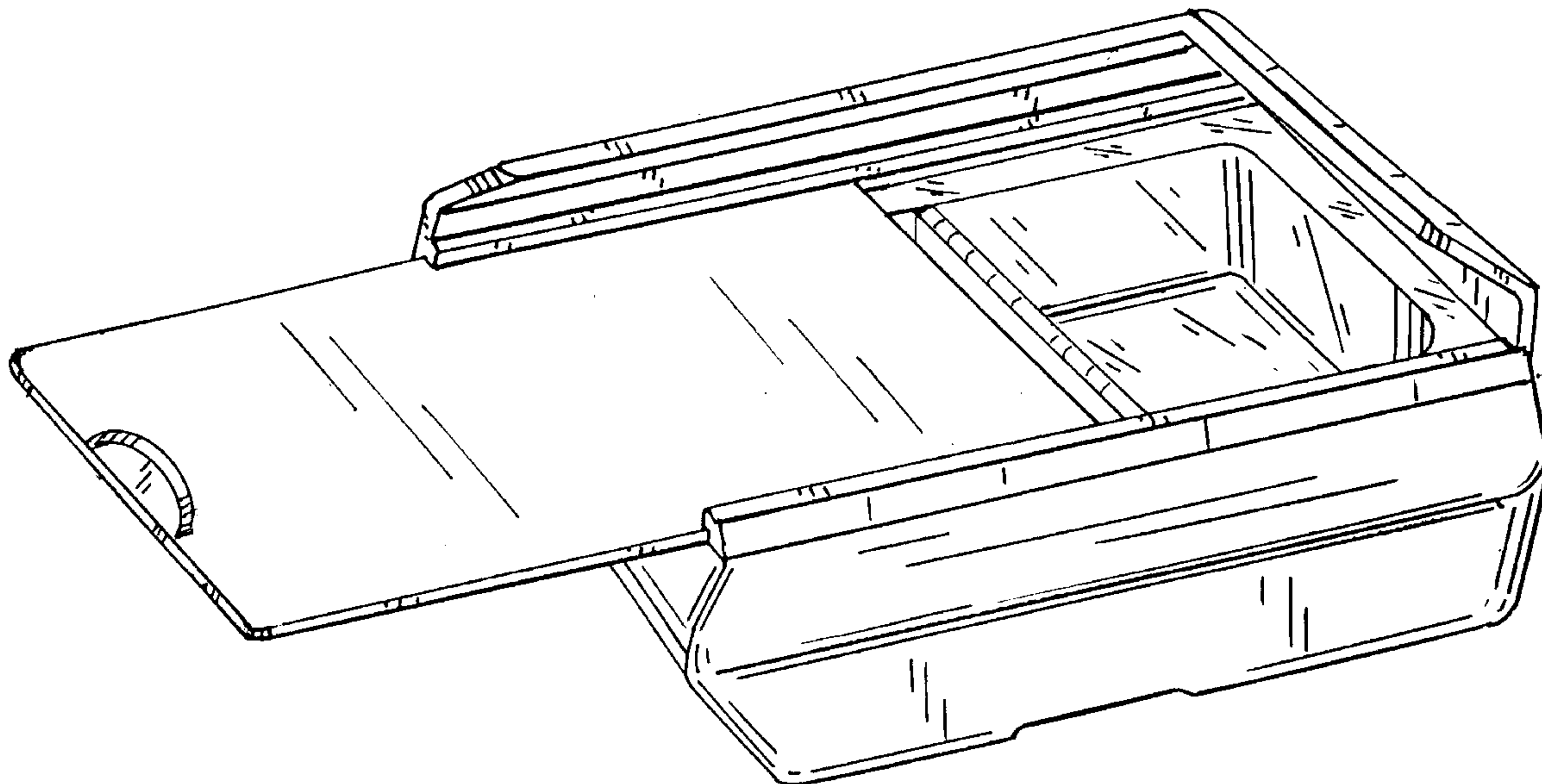
U.S. PATENT DOCUMENTS

- D268,292 S * 3/1983 Chevassus D28/83
- 5,460,288 A * 10/1995 Balzeau 132/293
- D457,687 S * 5/2002 Millar D28/83

* cited by examiner

Primary Examiner—Jennifer Rivard

1 Claim, 4 Drawing Sheets



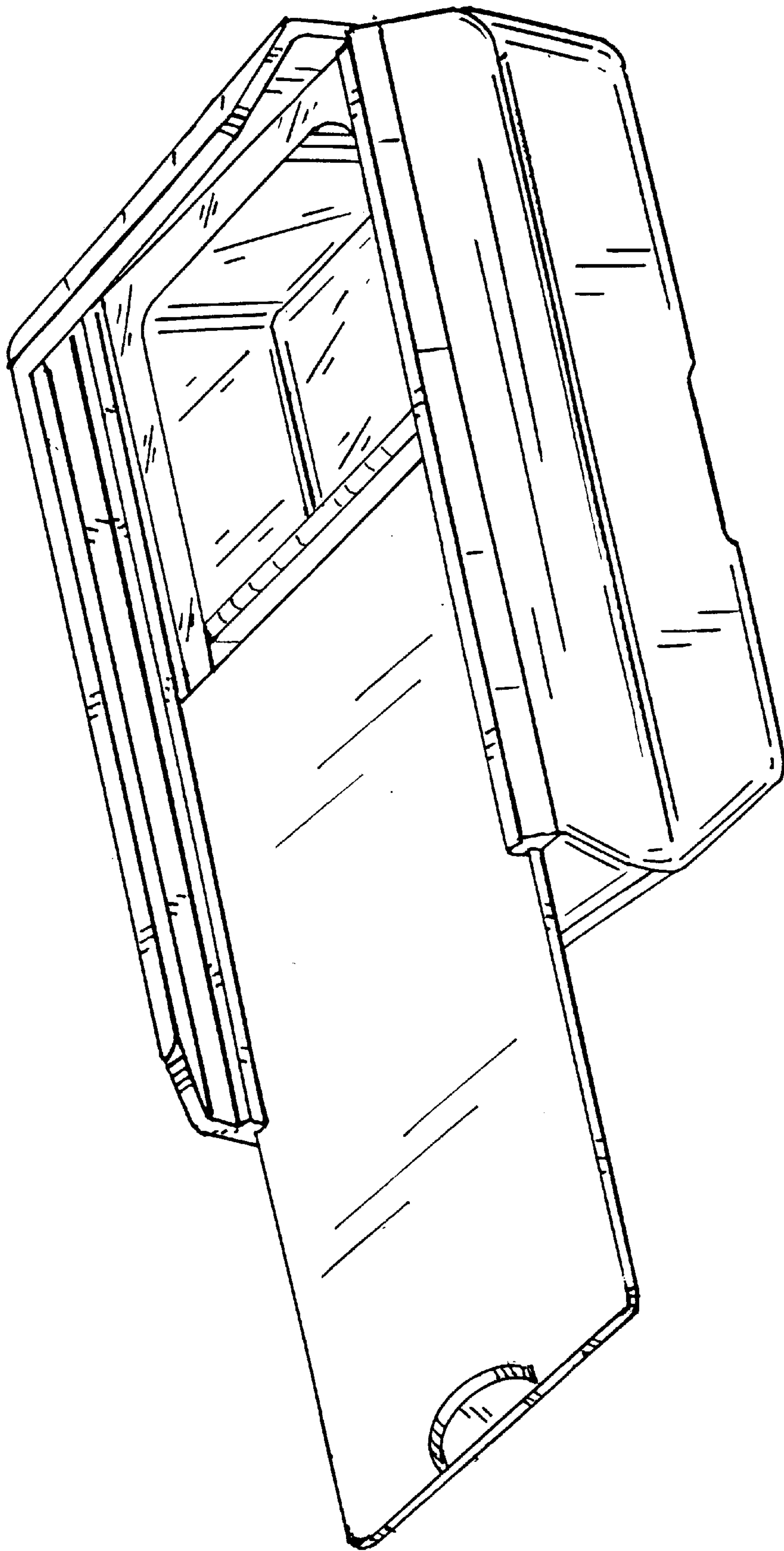


FIG.1

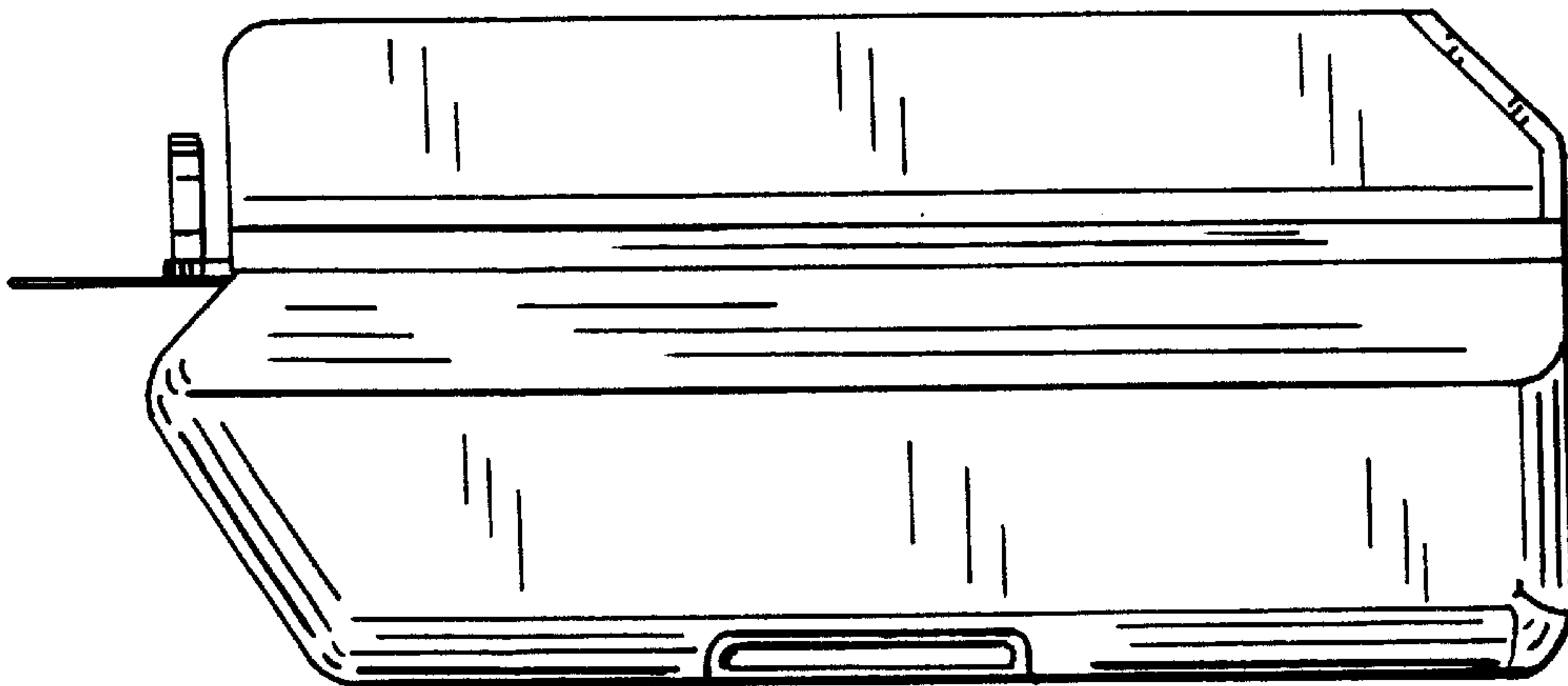


FIG. 2

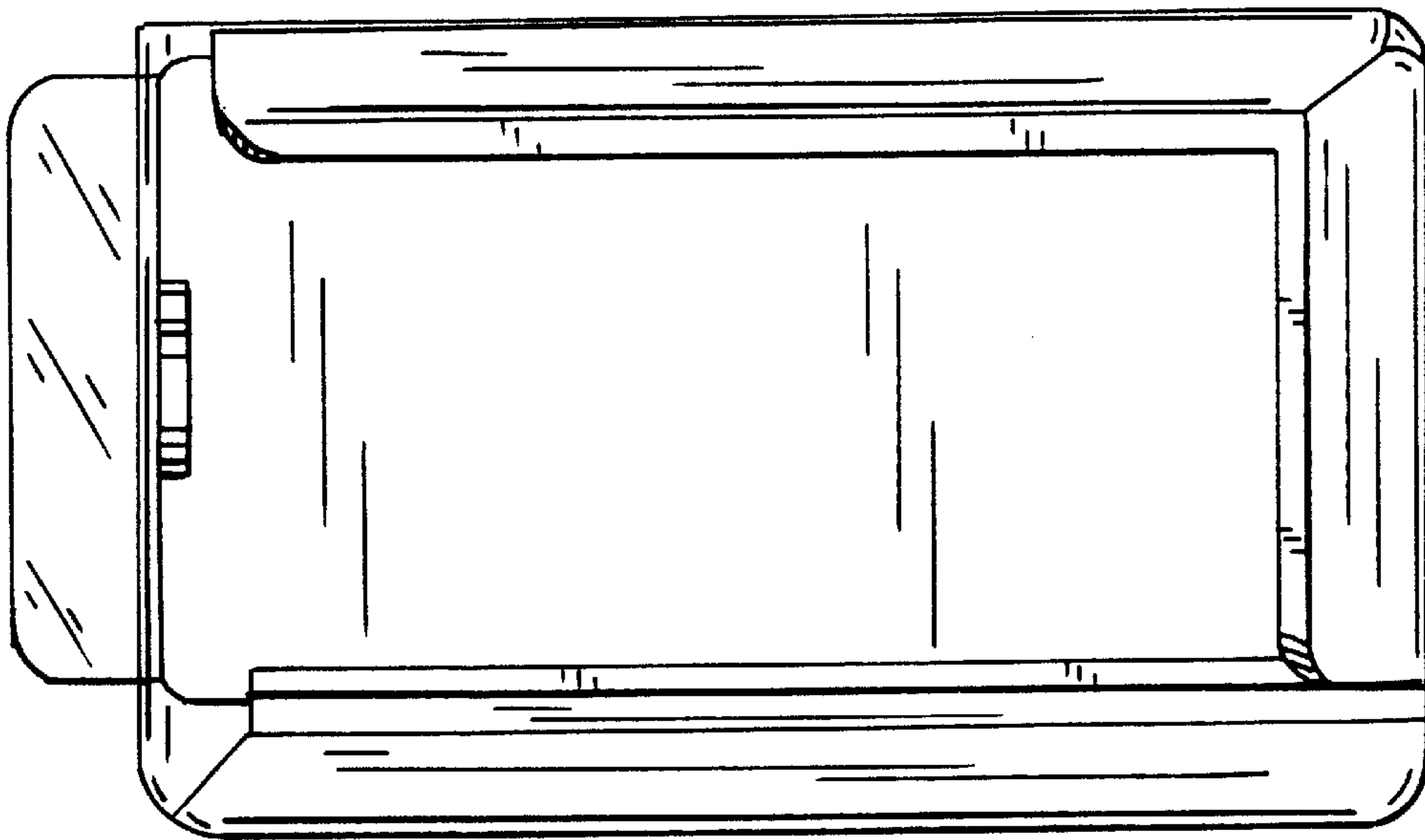


FIG. 3

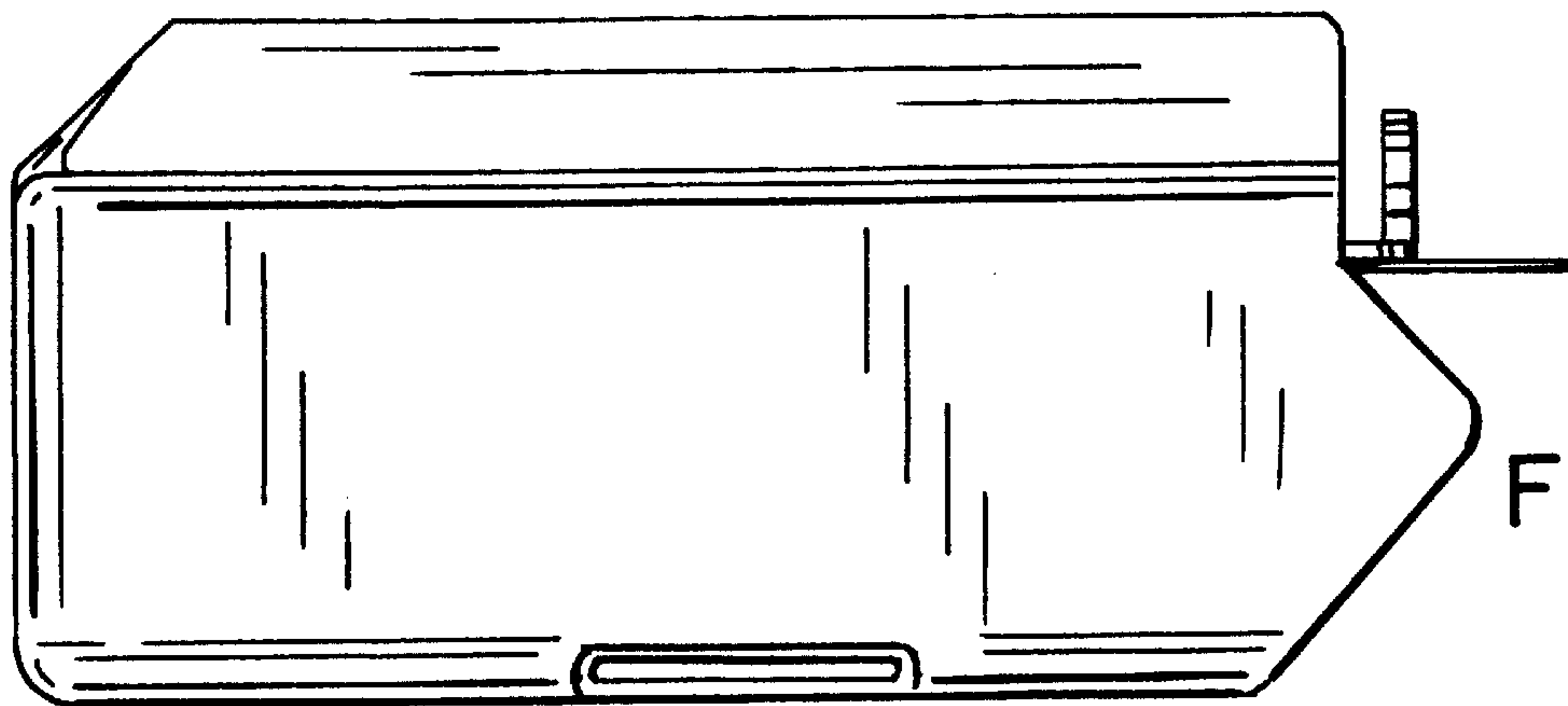


FIG. 4

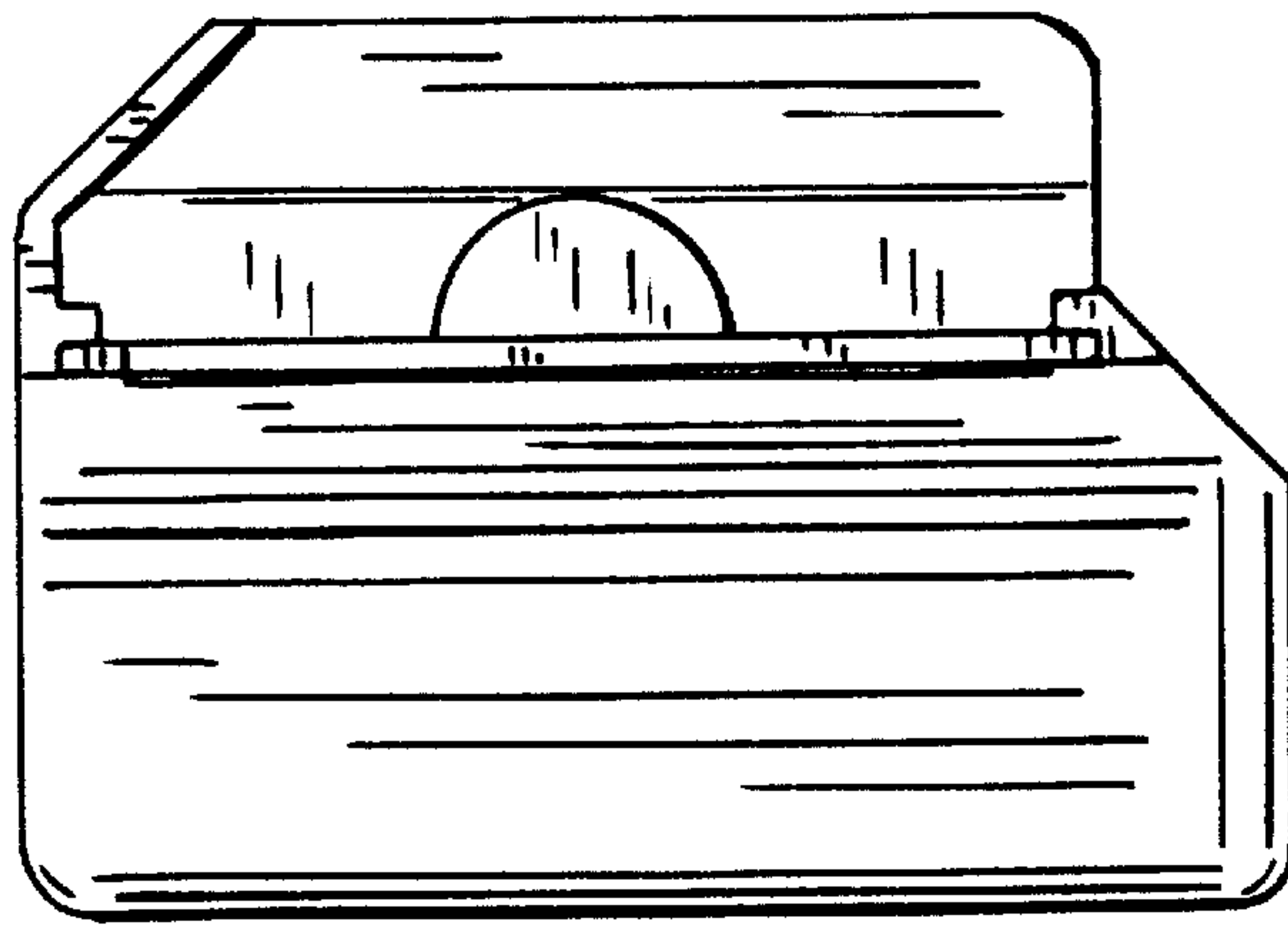


FIG. 5

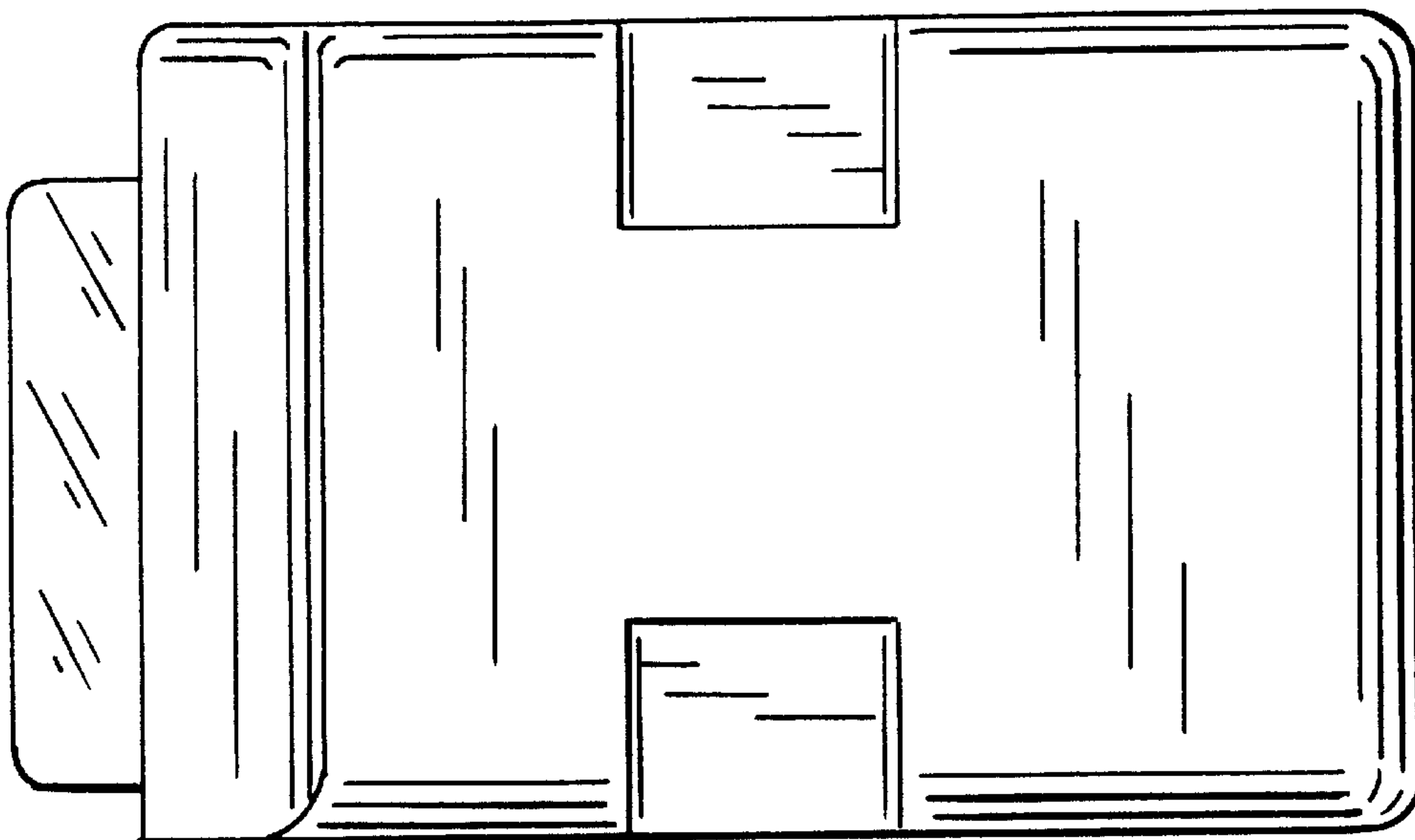


FIG. 6

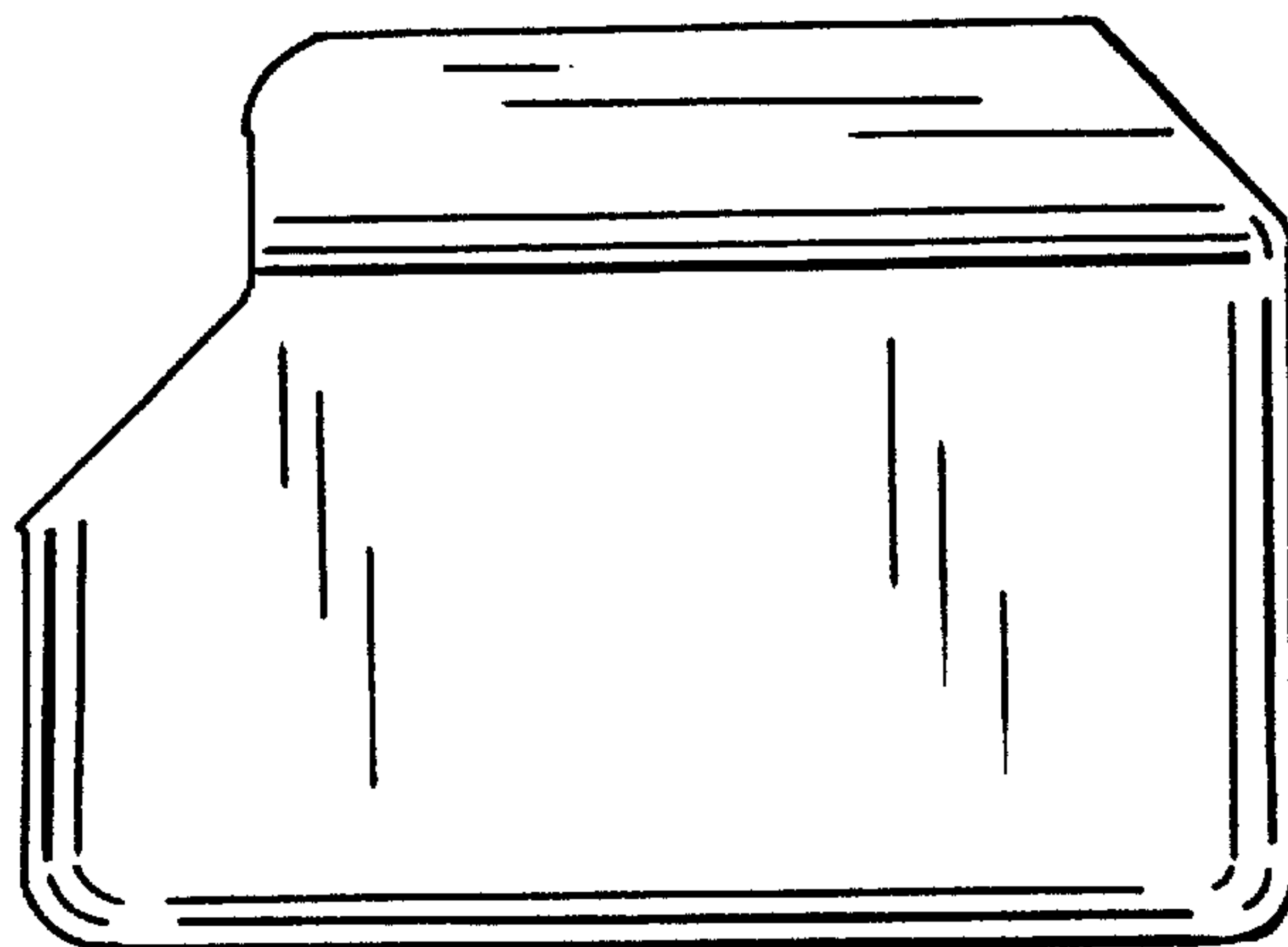


FIG. 7

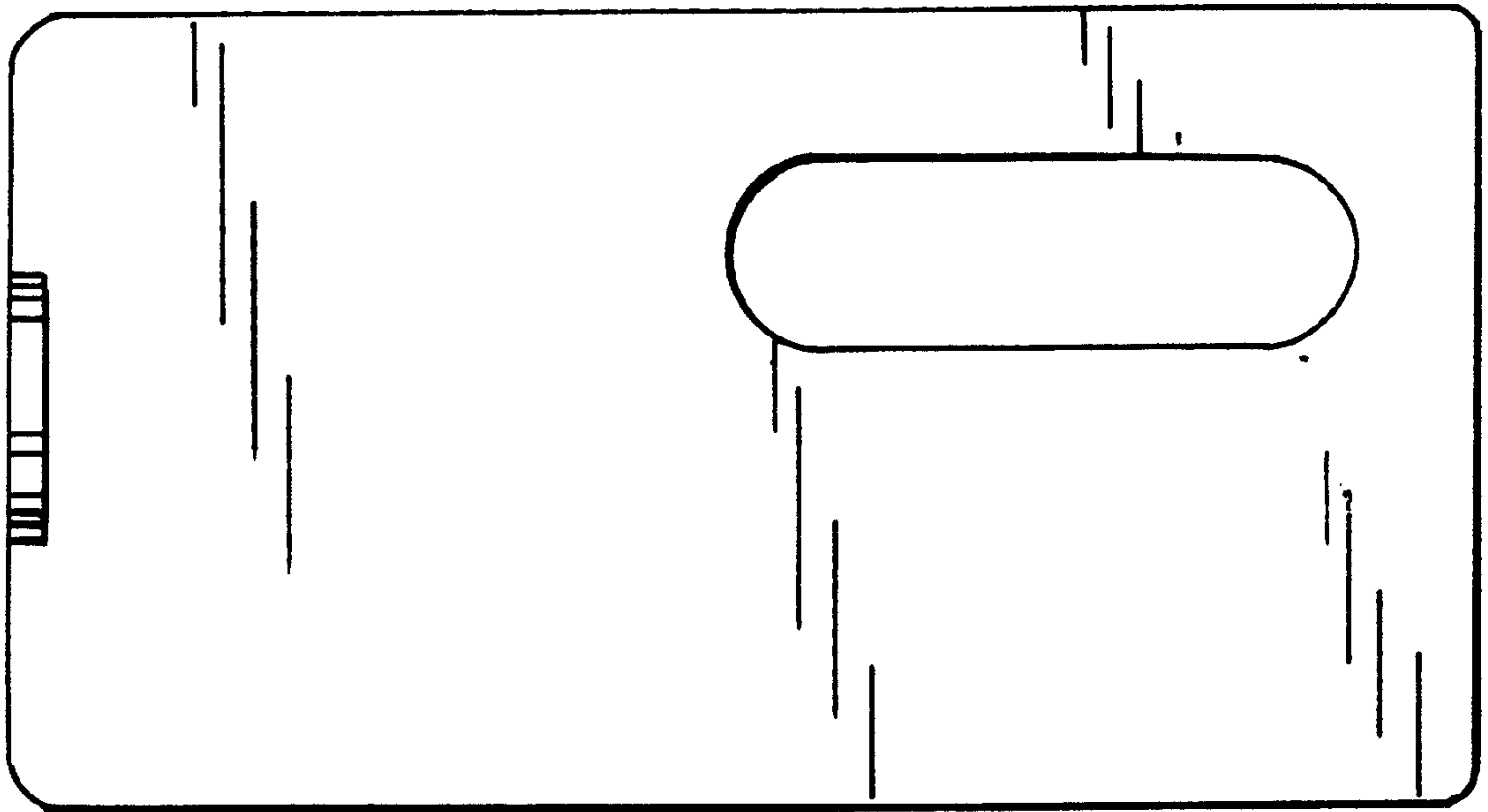


FIG. 8

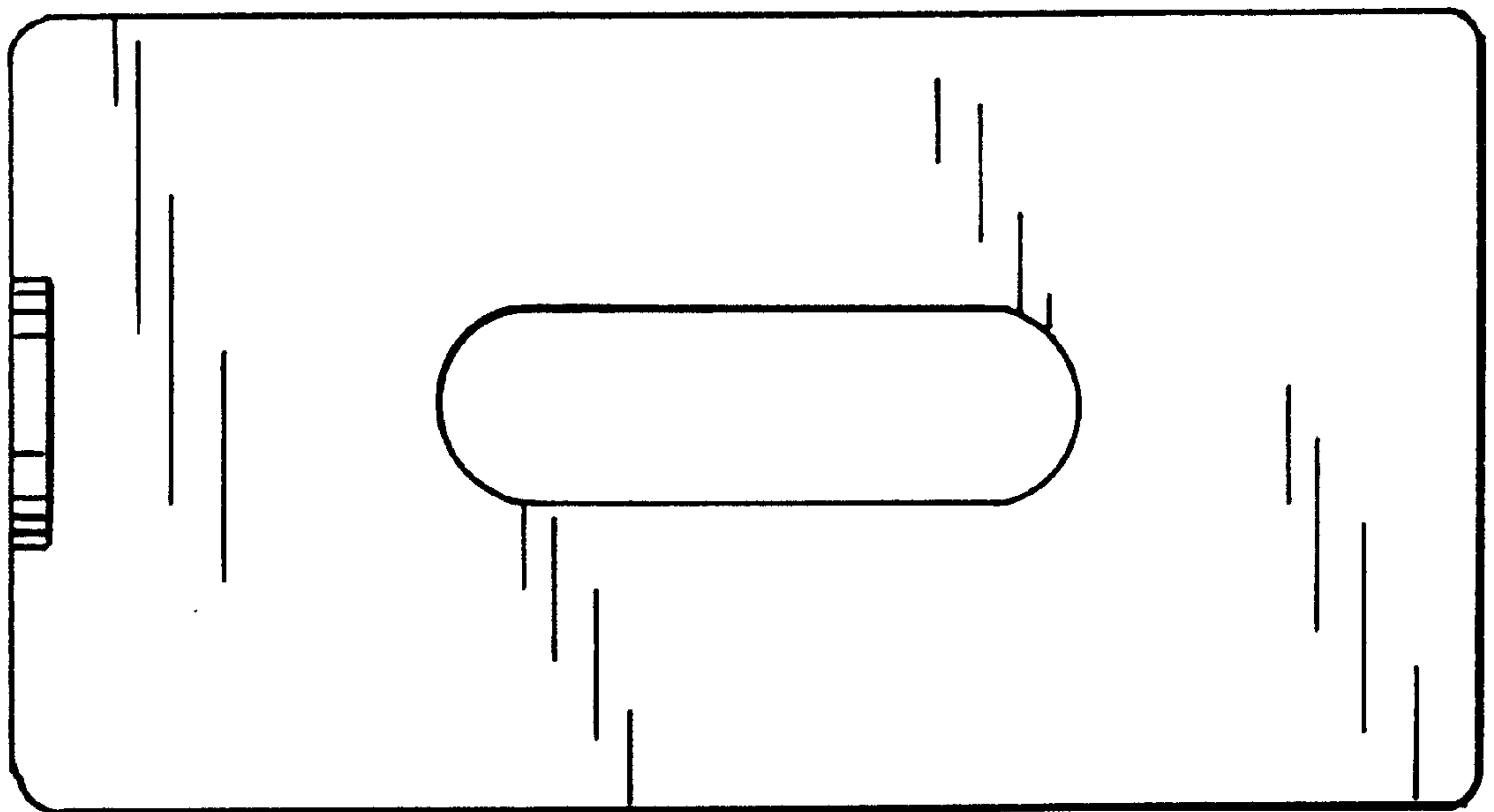


FIG. 9