



US00D480175S

(12) **United States Design Patent**
Kim

(10) **Patent No.: US D480,175 S**

(45) **Date of Patent: ** Sep. 30, 2003**

(54) **HAIR STYLIZING DEVICE**

(57) **CLAIM**

(76) **Inventor: Myung Jin Kim**, 408 N. Pacific Coast Hwy., Suite 100, Redondo Beach, CA (US) 00272

The ornamental design for a hair stylizing device, as shown and described.

(**) **Term: 14 Years**

DESCRIPTION

(21) **Appl. No.: 29/173,280**

FIG. 1 is a rear perspective view of a hair stylizing device in the open configuration, showing my new design; FIG. 2 is a rear perspective view thereof in the closed configuration;

(22) **Filed: Dec. 24, 2002**

FIG. 3 is a side elevational view thereof in the closed configuration, with the opposite side being identical to that shown;

(51) **LOC (7) Cl. 28-03**

(52) **U.S. Cl. D28/35**

FIG. 4 is a side elevational view thereof in the open configuration, with the opposite side being identical to that shown;

(58) **Field of Search D28/35; 132/223-225, 132/271; 219/222, 225**

FIG. 5 is a top plan view thereof, with the bottom side being identical to that shown;

(56) **References Cited**

U.S. PATENT DOCUMENTS

D424,742 S	*	5/2000	Hirata	D28/35
D433,185 S	*	10/2000	Hirata	D28/35
D440,710 S	*	4/2001	Kaizuka	D28/35
6,386,206 B2	*	5/2002	Lee	132/225

FIG. 6 is a front elevational view thereof in the closed configuration;

FIG. 7 is a rear elevational view thereof in the closed configuration; and,

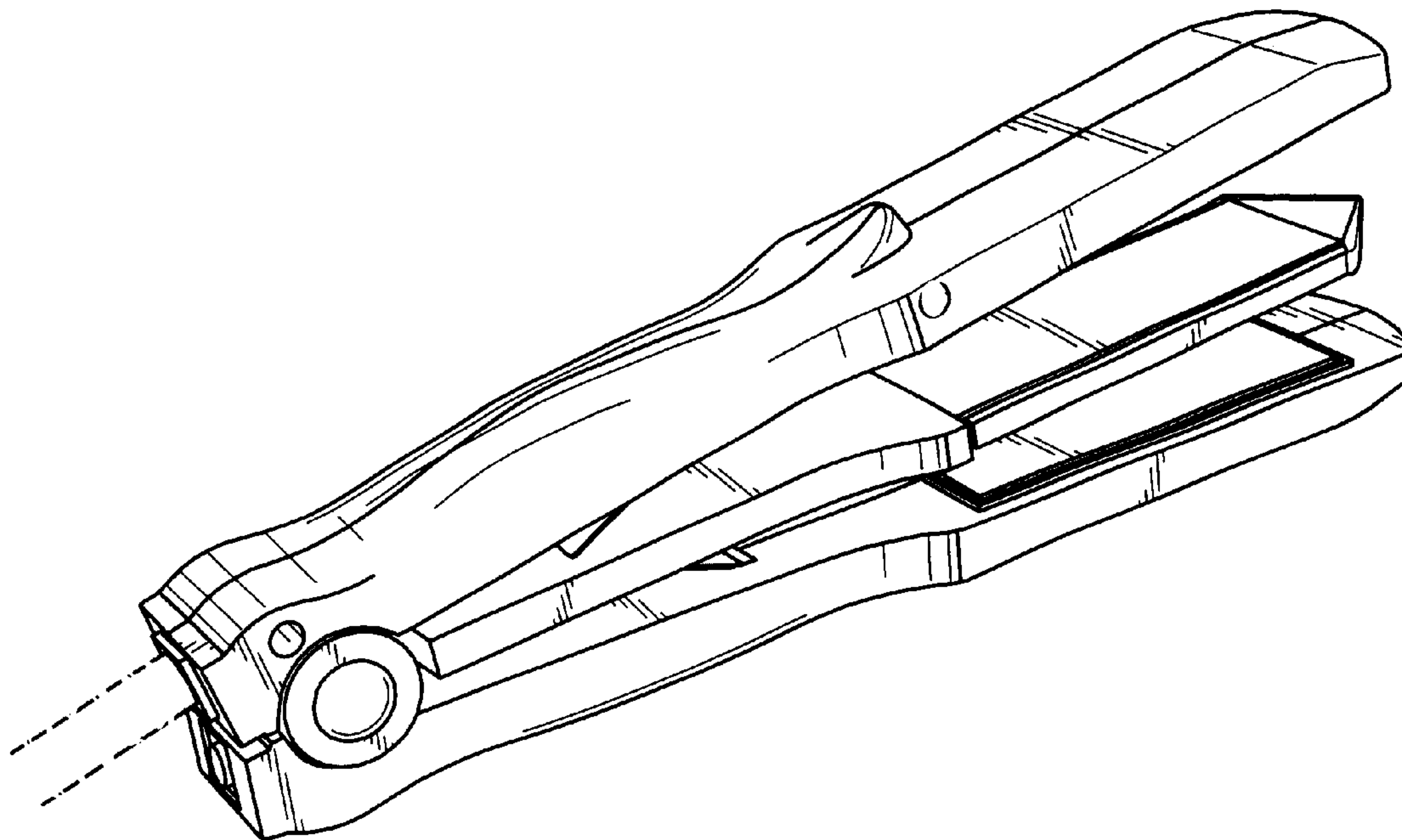
FIG. 8 is a front elevational view thereof in the open configuration.

* cited by examiner

The broken line showing the electrical power supply cord is for illustrative purposes only and forms no part of the claimed design.

Primary Examiner—Jennifer Rivard
(74) *Attorney, Agent, or Firm*—Lee & Hong

1 Claim, 3 Drawing Sheets



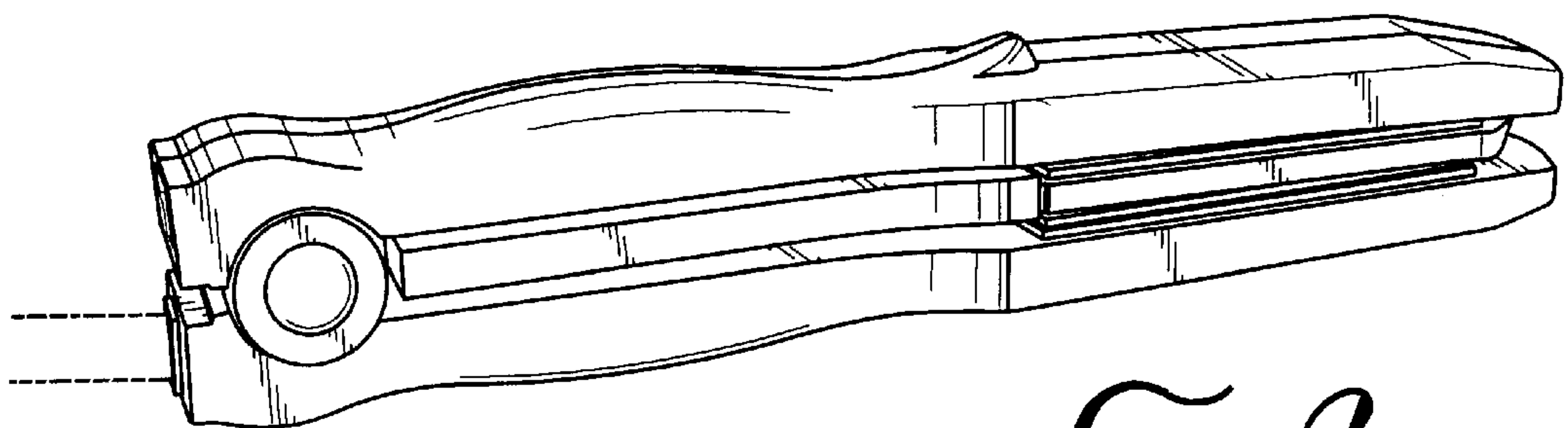
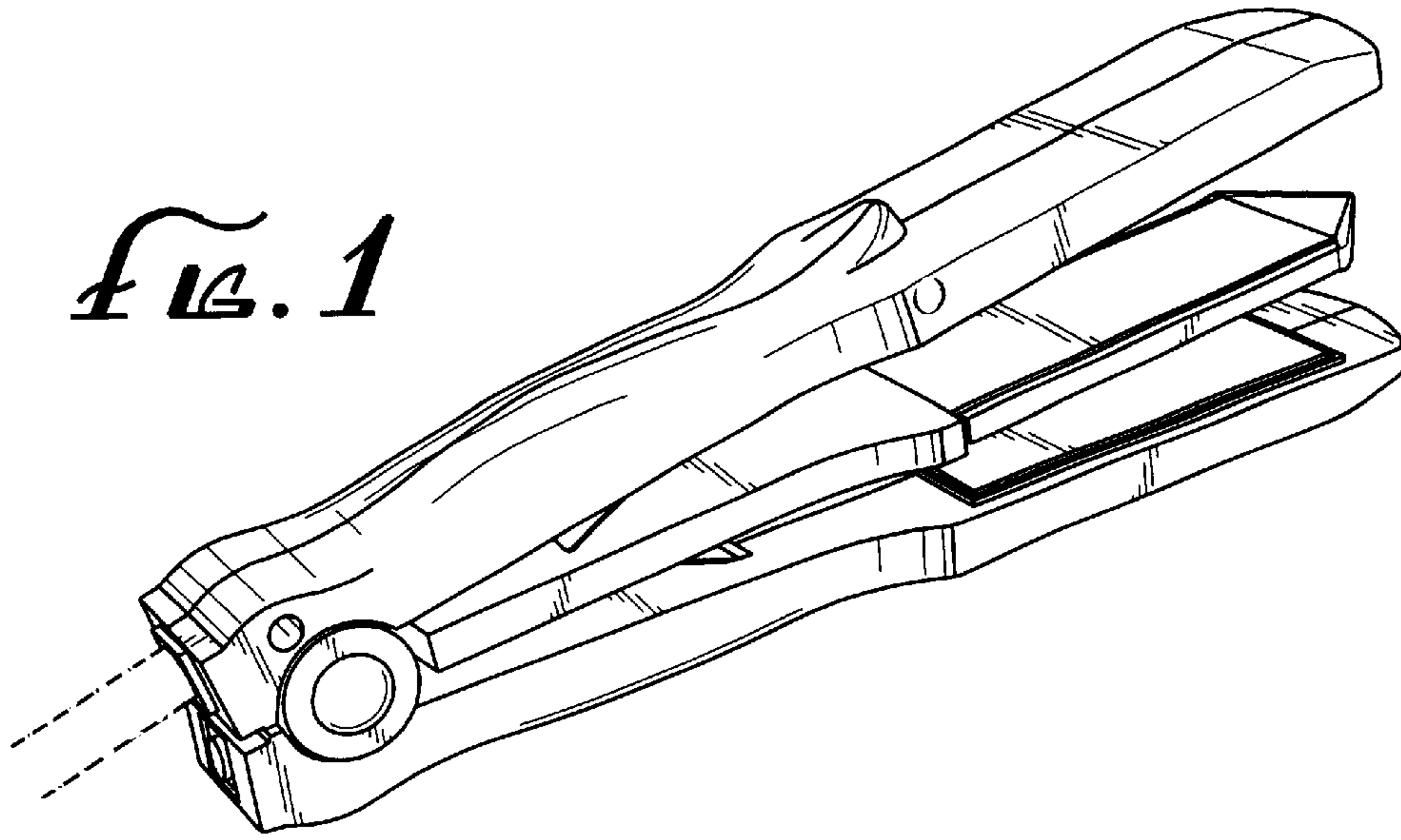


FIG. 2

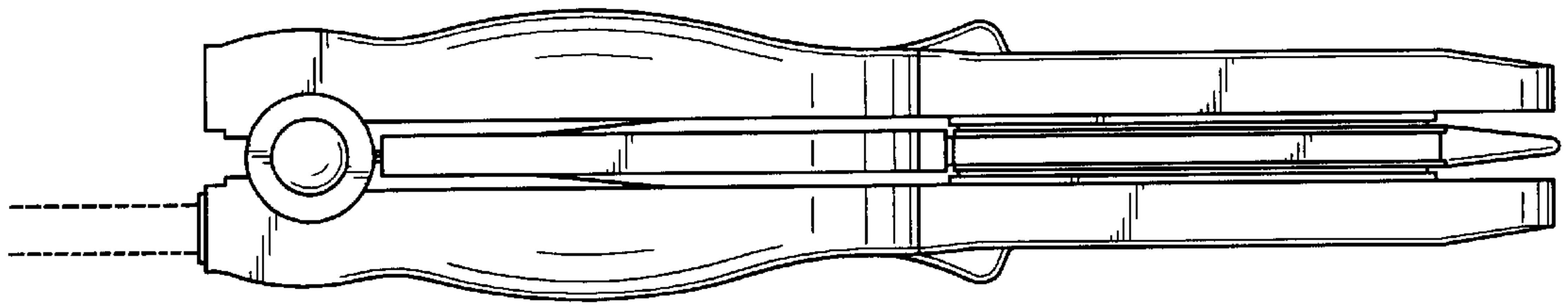


FIG. 3

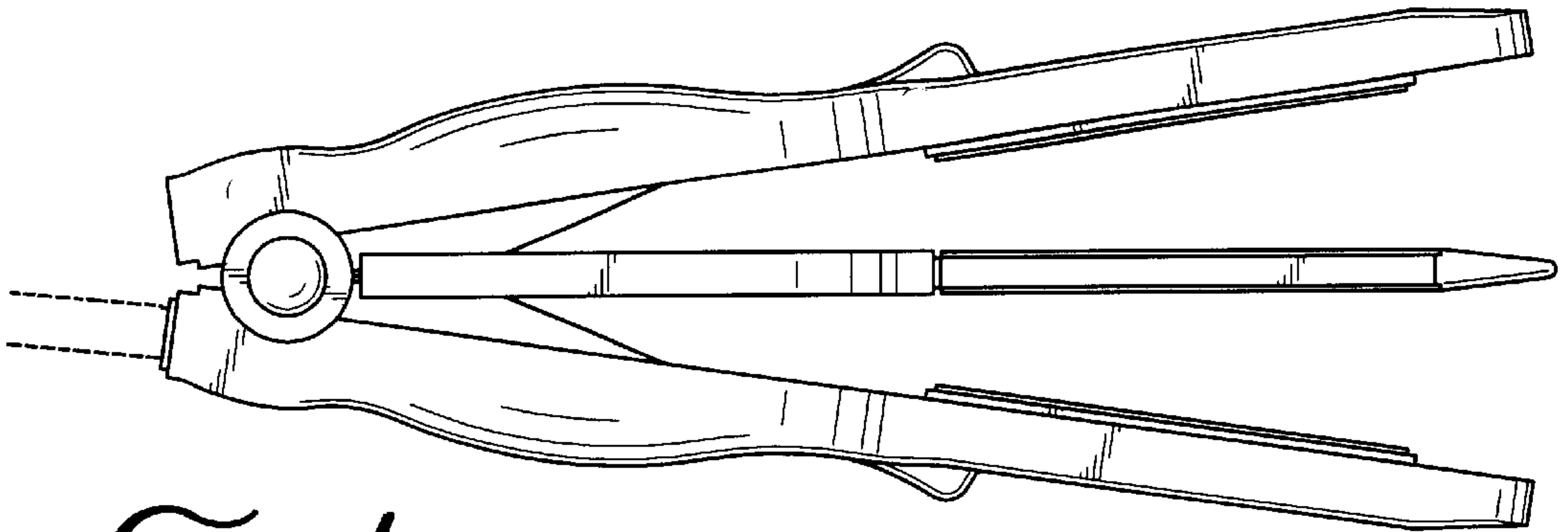


FIG. 4

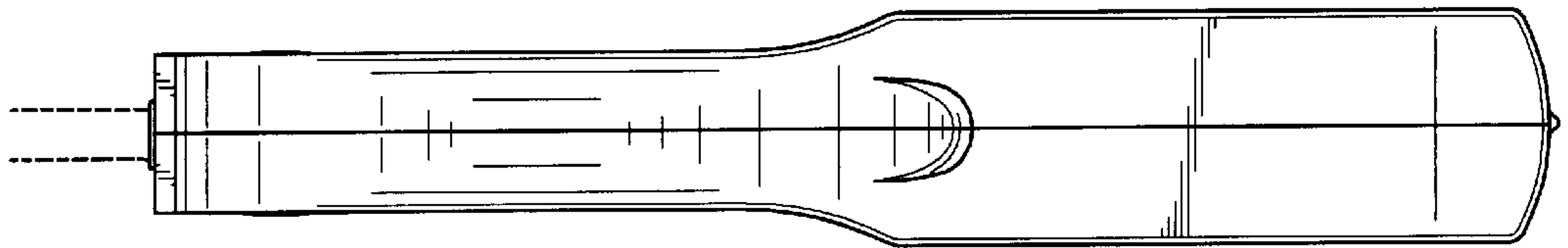


FIG. 5

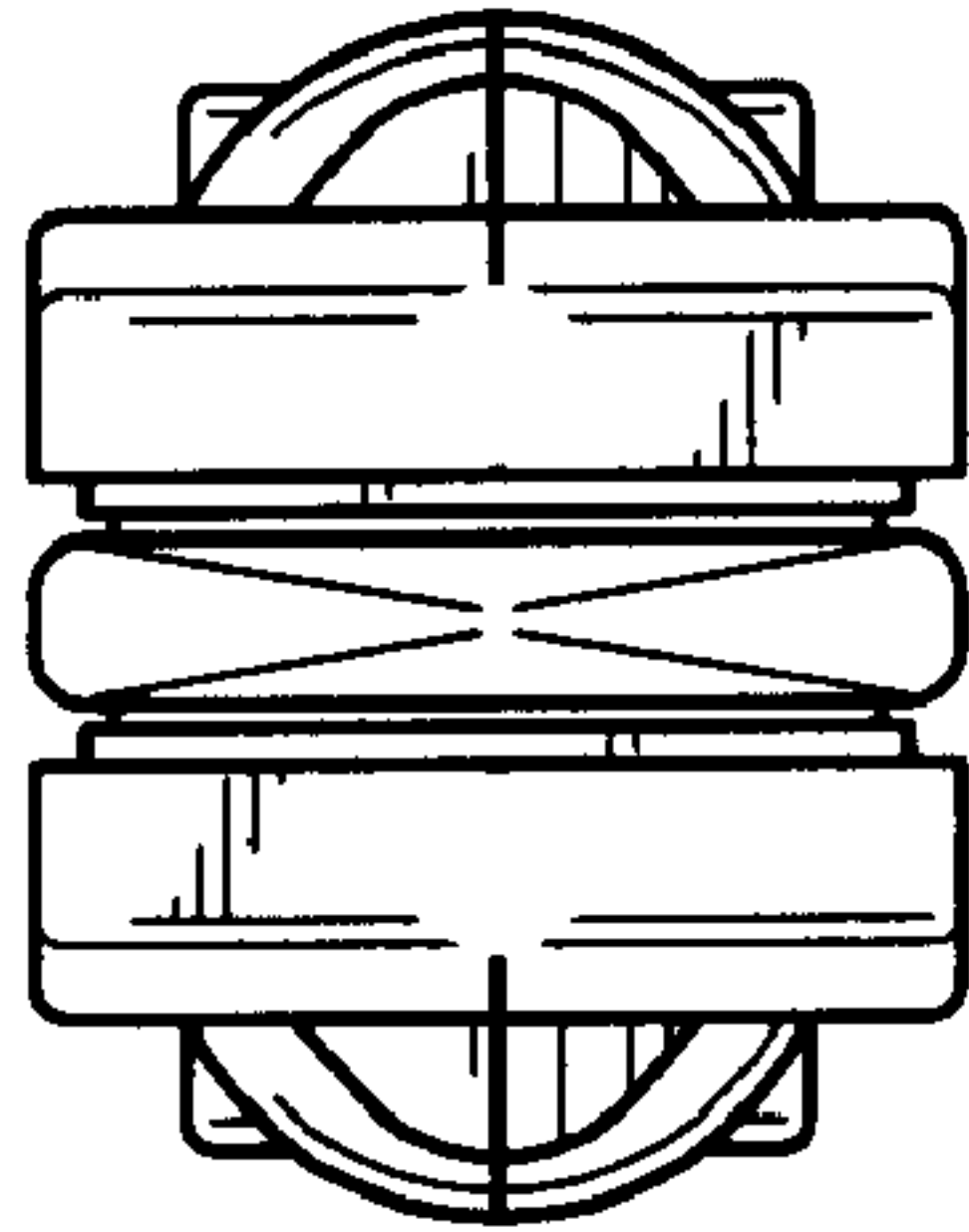


FIG. 6

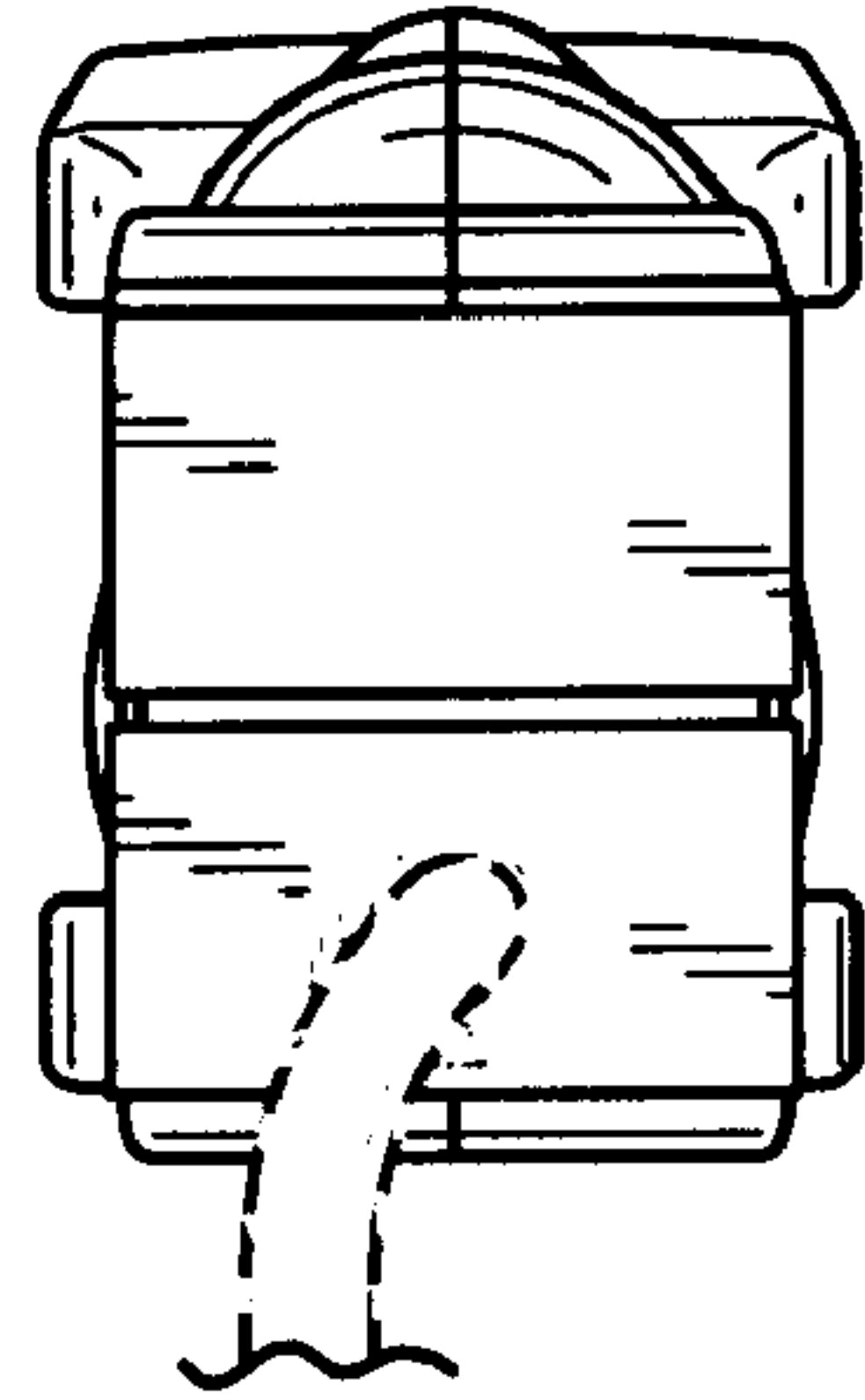


FIG. 7

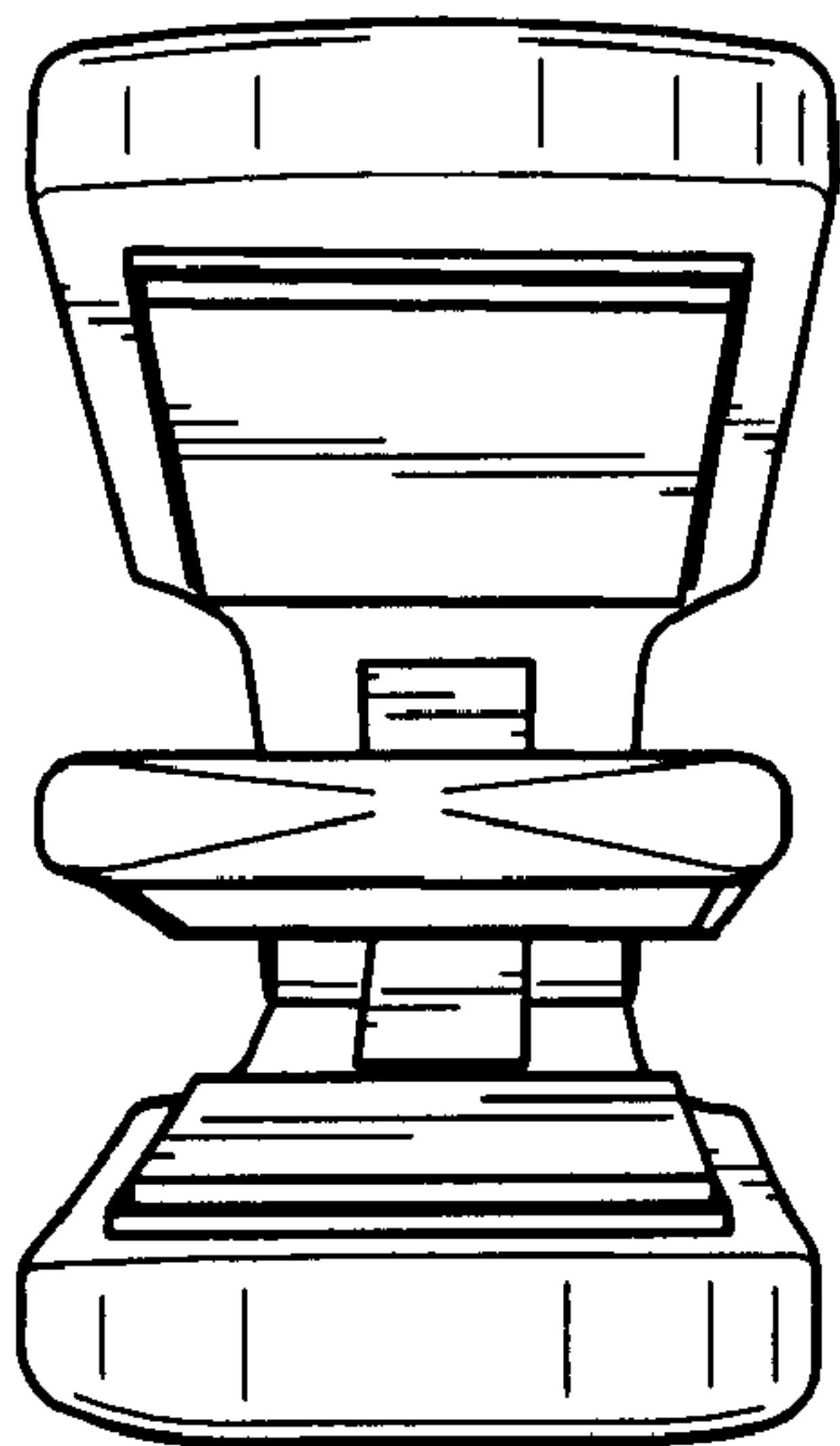


FIG. 8