



US00D480166S

(12) **United States Design Patent**
Cheung

(10) **Patent No.:** **US D480,166 S**

(45) **Date of Patent:** **** Sep. 30, 2003**

(54) **LIGHTING DEVICE**

(75) Inventor: **Tin Lung Delon Cheung**, Shatin (HK)

(73) Assignee: **KA Shun Industrial Limited**, Shatin (HK)

(**) Term: **14 Years**

(21) Appl. No.: **29/167,227**

(22) Filed: **Sep. 10, 2002**

(51) **LOC (7) Cl.** **26-02**

(52) **U.S. Cl.** **D26/45**

(58) **Field of Search** D26/37-50; 362/157, 362/158, 171, 172, 173, 183-208

(56) **References Cited**

U.S. PATENT DOCUMENTS

D431,662 S	*	10/2000	Krieger	D26/45
D434,513 S	*	11/2000	Poon	D26/45
D462,133 S	*	8/2002	Krieger et al.	D26/45
D466,637 S	*	12/2002	Gisser	D26/45
D469,905 S	*	2/2003	Levine et al.	D26/45

OTHER PUBLICATIONS

Trademark Search Report for trademark designs for "Horse-shoe Symbol on Soles (Design)" prepared by Cliff Shorts and Janette Becker, CCH CORSEARCH, Jul. 29, 2002, 124 pages, 4 sheets of drawings.

* cited by examiner

Primary Examiner—Marcus A. Jackson

(74) *Attorney, Agent, or Firm*—Smith-Hill and Bedell

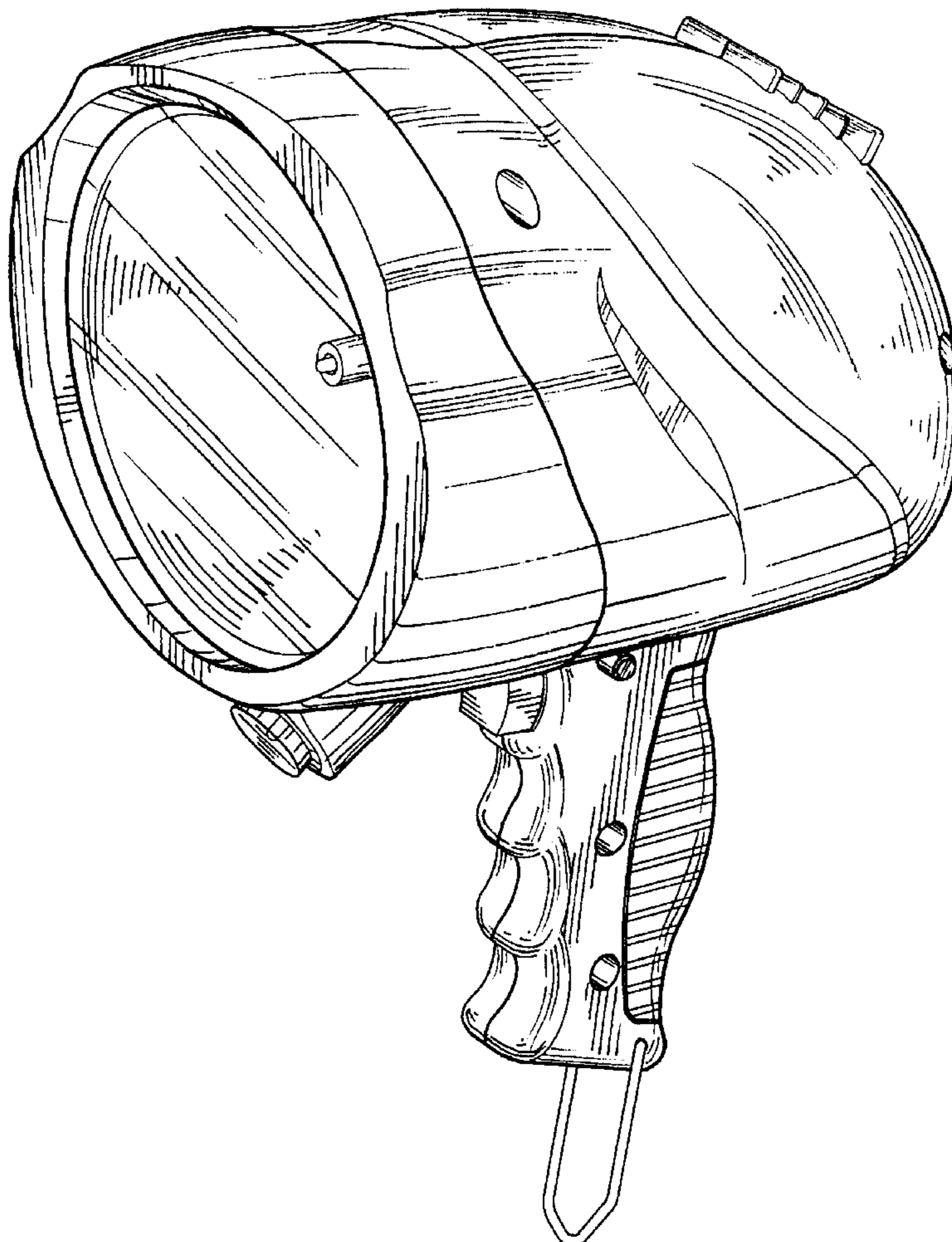
(57) **CLAIM**

The ornamental design for "a lighting device", as shown and described.

DESCRIPTION

FIG. 1 is a perspective view of the article;
FIG. 2 is a top view of the article;
FIG. 3 is a side view of the article;
FIG. 4 is another side view of the article;
FIG. 5 is a bottom view of the article;
FIG. 6 is a front view of the article; and,
FIG. 7 is a rear view of the article.

1 Claim, 4 Drawing Sheets



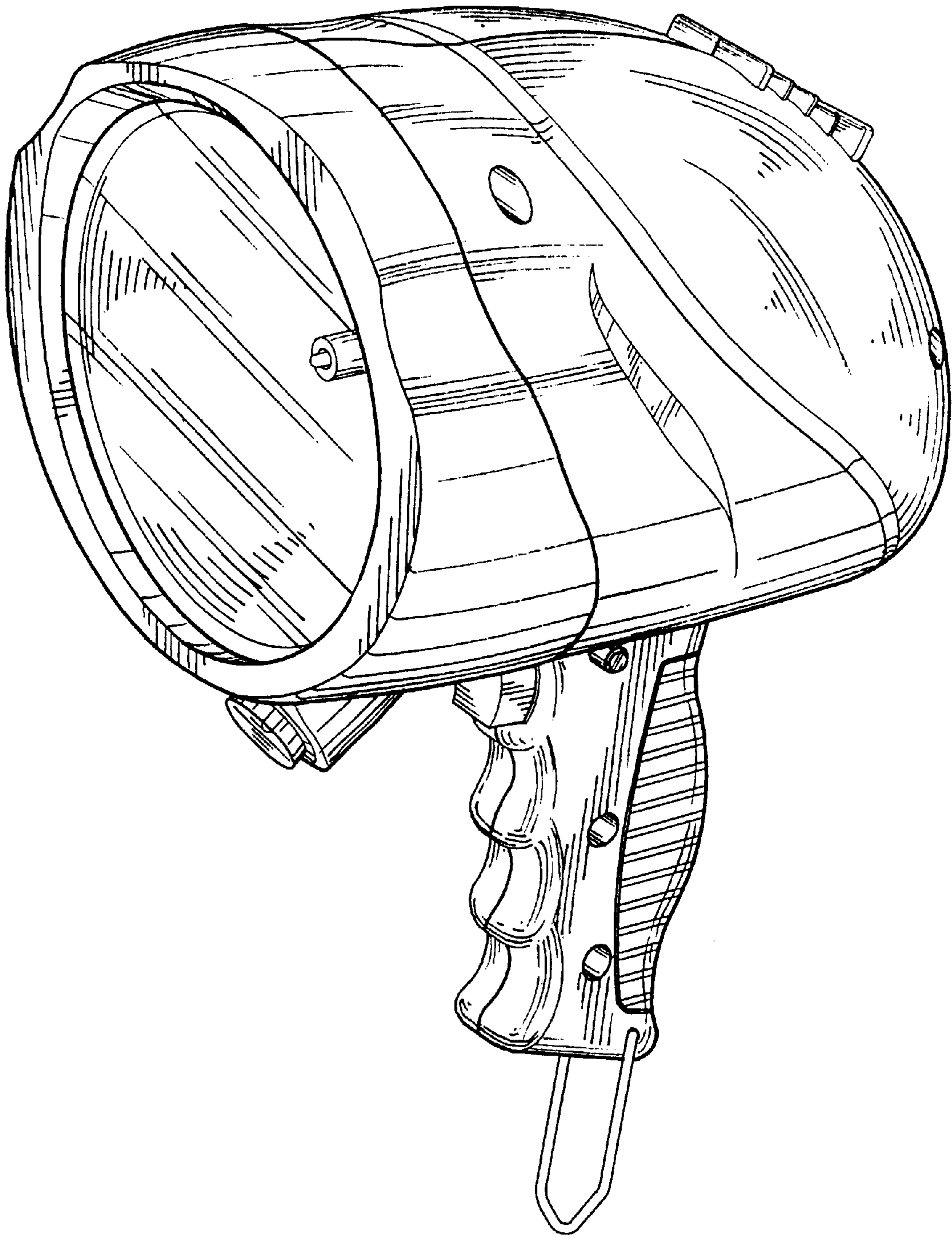


Fig. 1

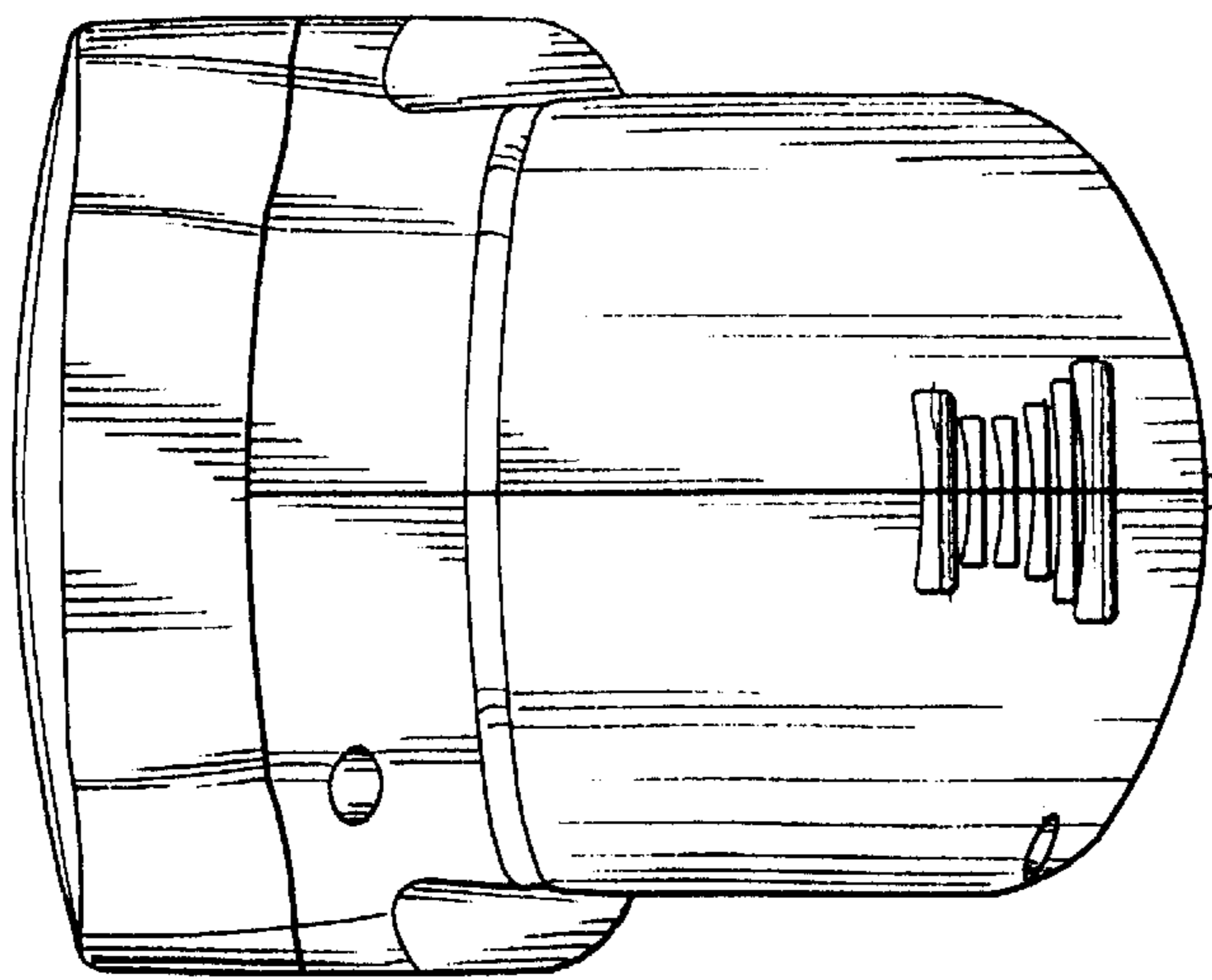


Fig. 2

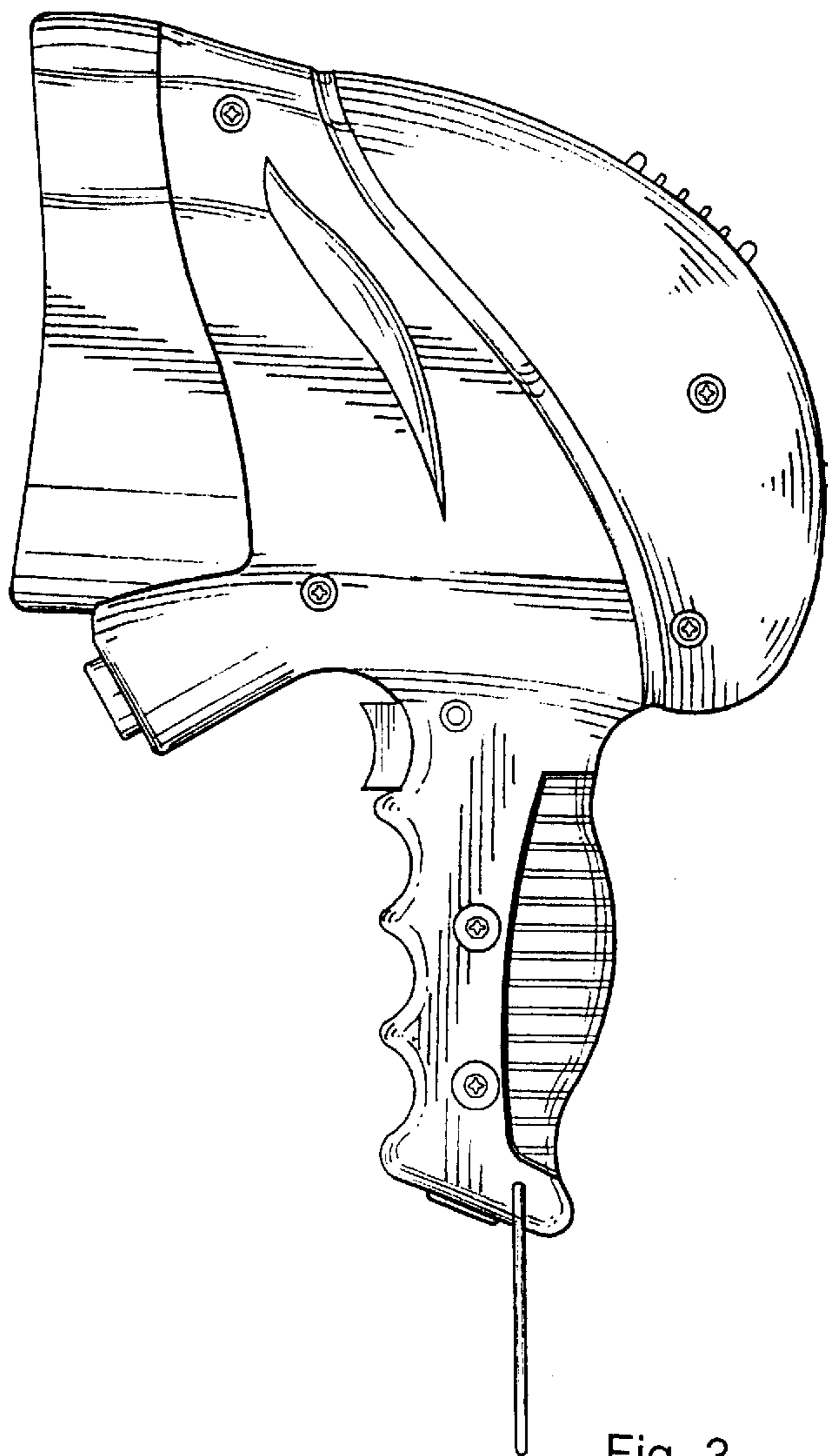


Fig. 3

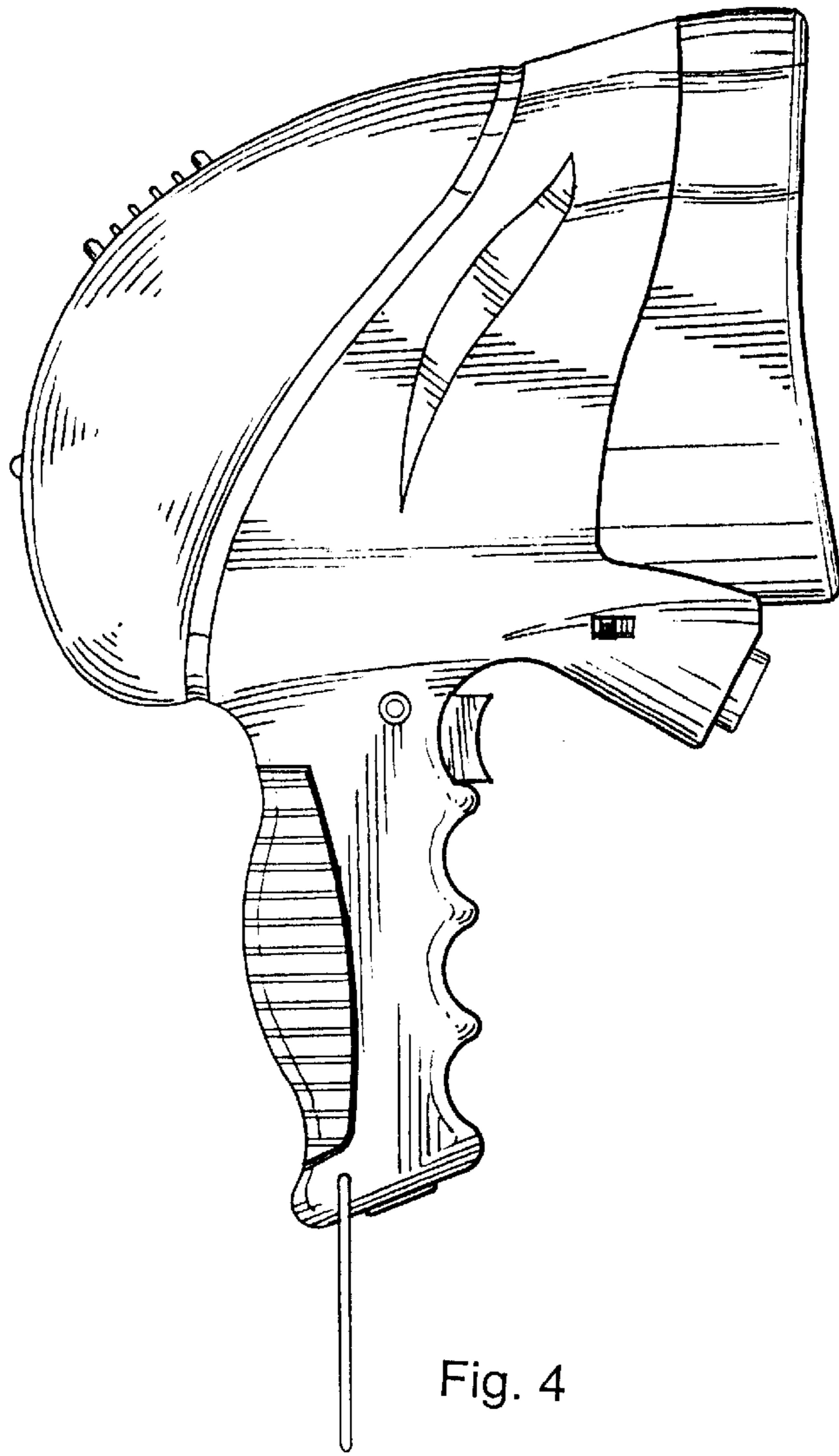


Fig. 4

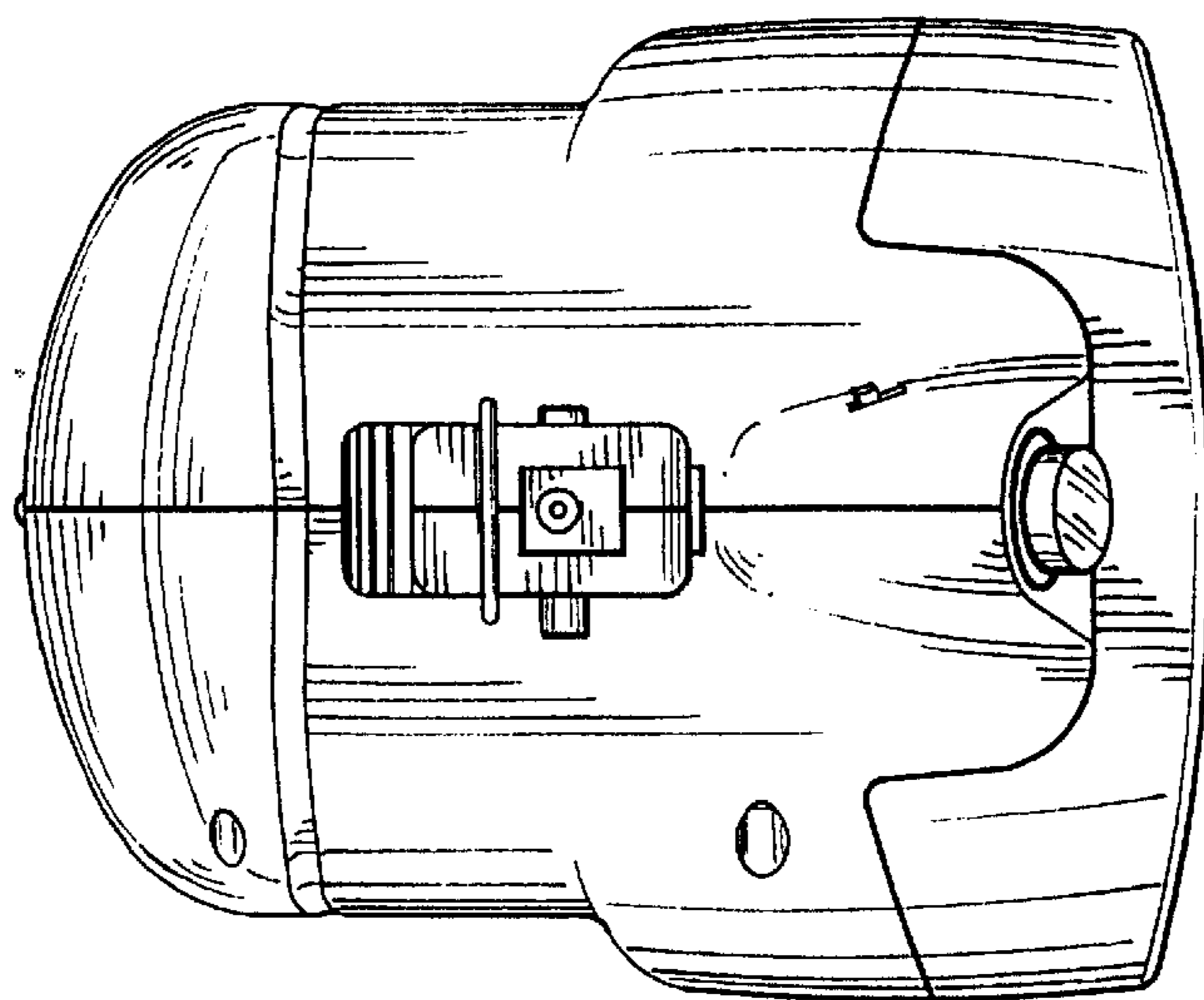


Fig. 5

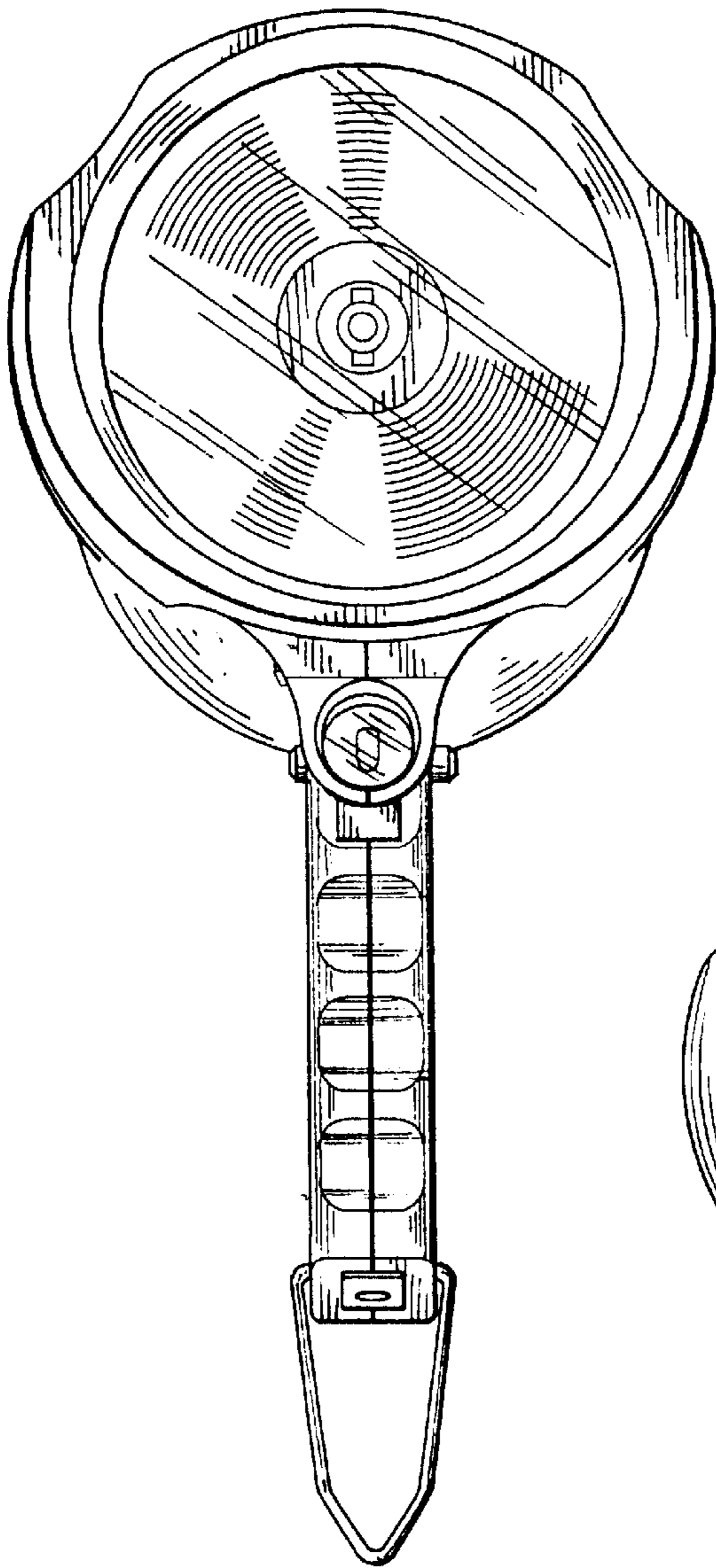


Fig. 6

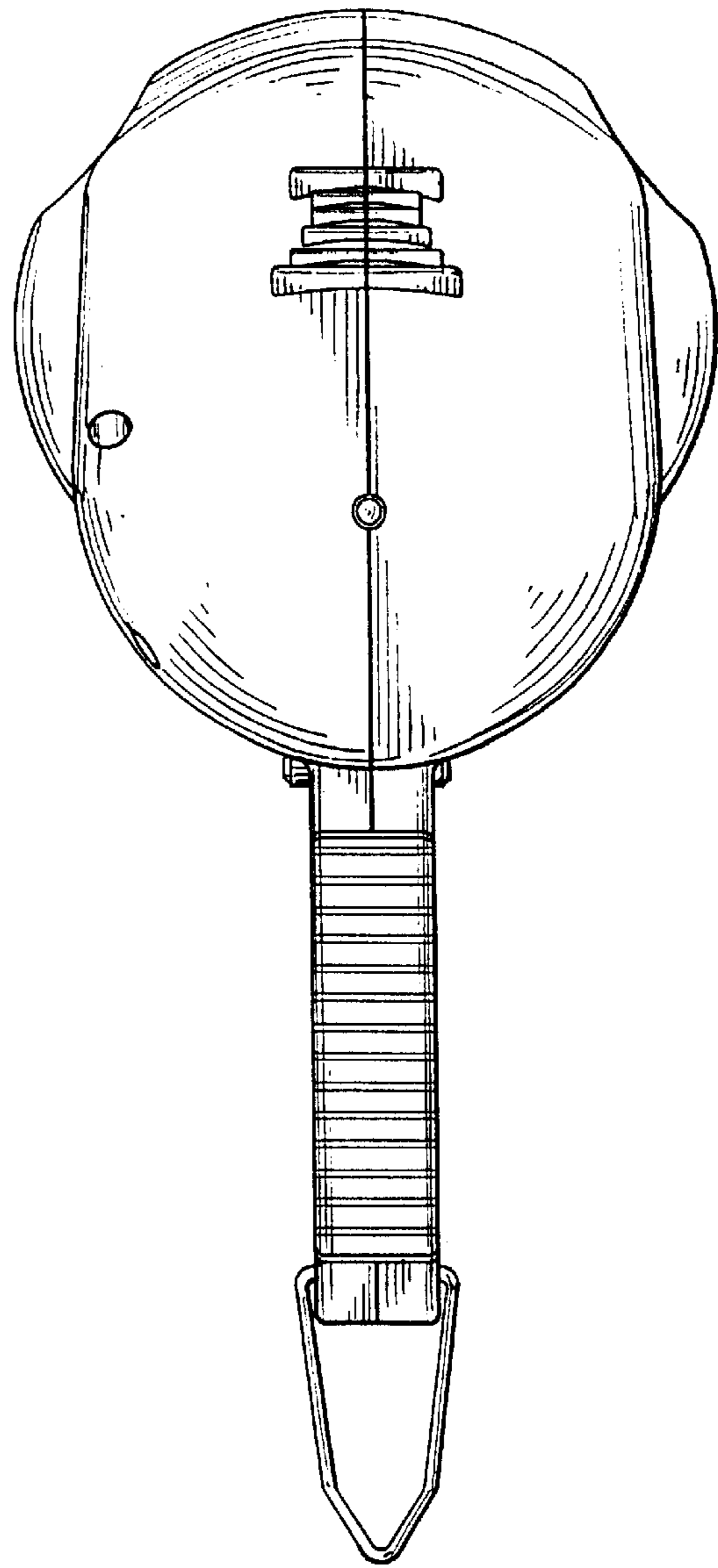


Fig. 7