



US00D480165S

(12) **United States Design Patent**  
**Hunts**

(10) **Patent No.:** **US D480,165 S**

(45) **Date of Patent:** **\*\* Sep. 30, 2003**

(54) **ELECTROLUMINESCENT TOY SAFETY LIGHT**

D463,876 S \* 10/2002 Chan ..... D26/37  
D467,672 S \* 12/2002 Galli ..... D26/37  
D469,902 S \* 2/2003 Zin ..... D26/37

(75) Inventor: **Larry Dean Hunts**, P.O. Box 2428,  
White City, OR (US) 97503

\* cited by examiner

(73) Assignee: **Larry Dean Hunts**, White City, OR  
(US)

*Primary Examiner*—Marcus A. Jackson

(\*\*) Term: **14 Years**

(57) **CLAIM**

The ornamental design for an electroluminescent toy safety light, as shown and described.

(21) Appl. No.: **29/148,988**

**DESCRIPTION**

(22) Filed: **Oct. 1, 2001**

FIG. 1 is a right side elevational view of an electroluminescent toy safety light showing my new design, with the opposite side being a mirror image, and with the wire encased in the plastic sleeve shown broken away to indicated indeterminate length;

(51) **LOC (7) Cl.** ..... **26-02**

(52) **U.S. Cl.** ..... **D26/37**

(58) **Field of Search** ..... D26/37-50; 362/157,  
362/158, 171, 172, 173, 183-208, 260,  
262

FIG. 2 is a top plan view thereof, with the bottom being a mirror image;

FIG. 3 is a perspective view thereof;

FIG. 4 is a sectional view taken along line 2-2 in FIG. 2; and,

FIG. 5 is a front elevational view thereof.

(56) **References Cited**

**U.S. PATENT DOCUMENTS**

D370,276 S \* 5/1996 Davis ..... D26/37  
D457,669 S \* 5/2002 Piegras et al. .... D26/37

**1 Claim, 1 Drawing Sheet**

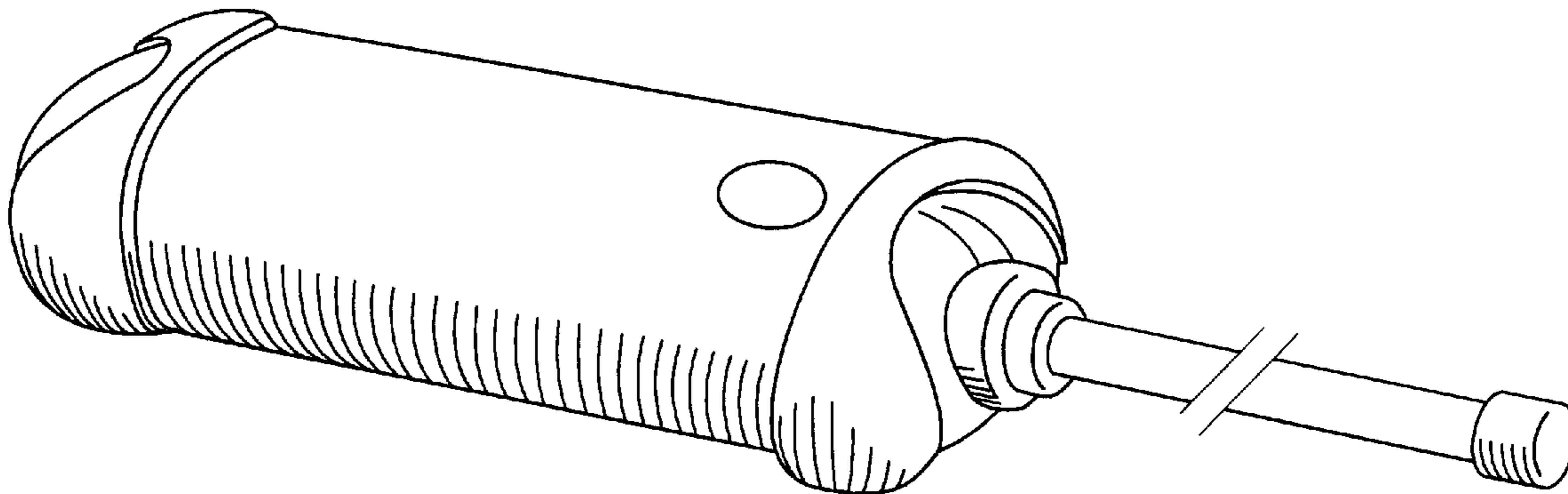


Fig. 1

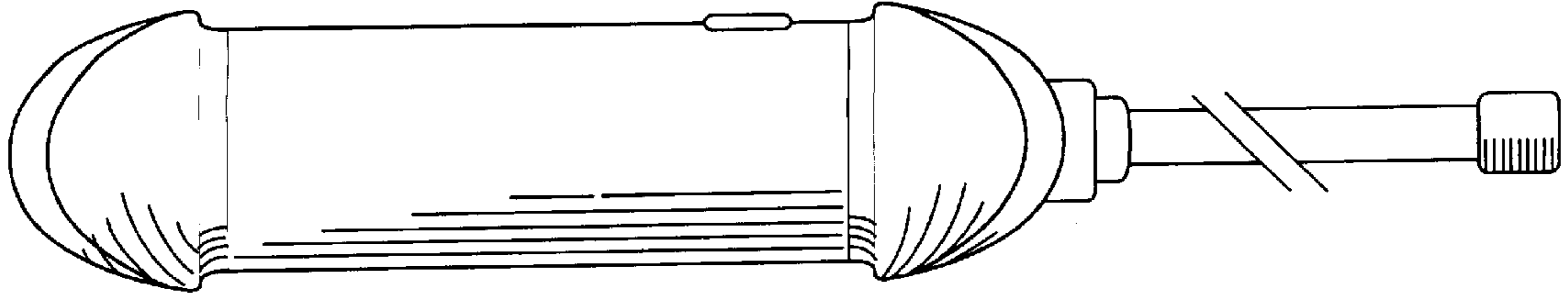


Fig. 2

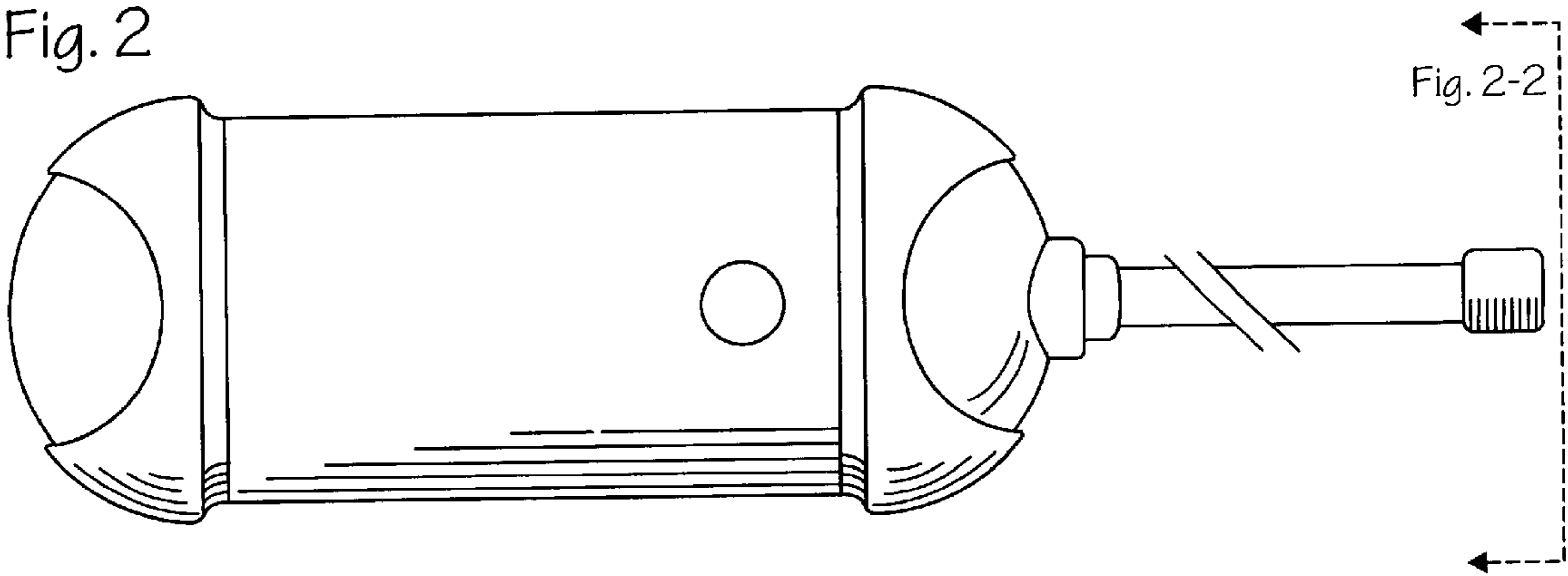


Fig. 3

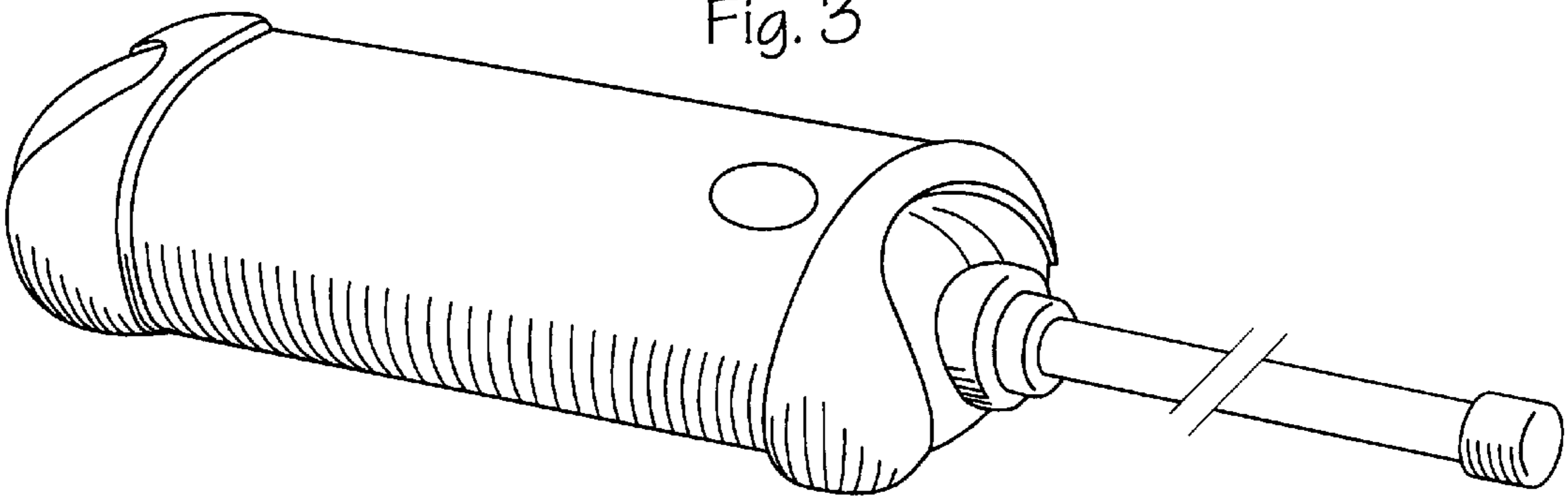


Fig. 4

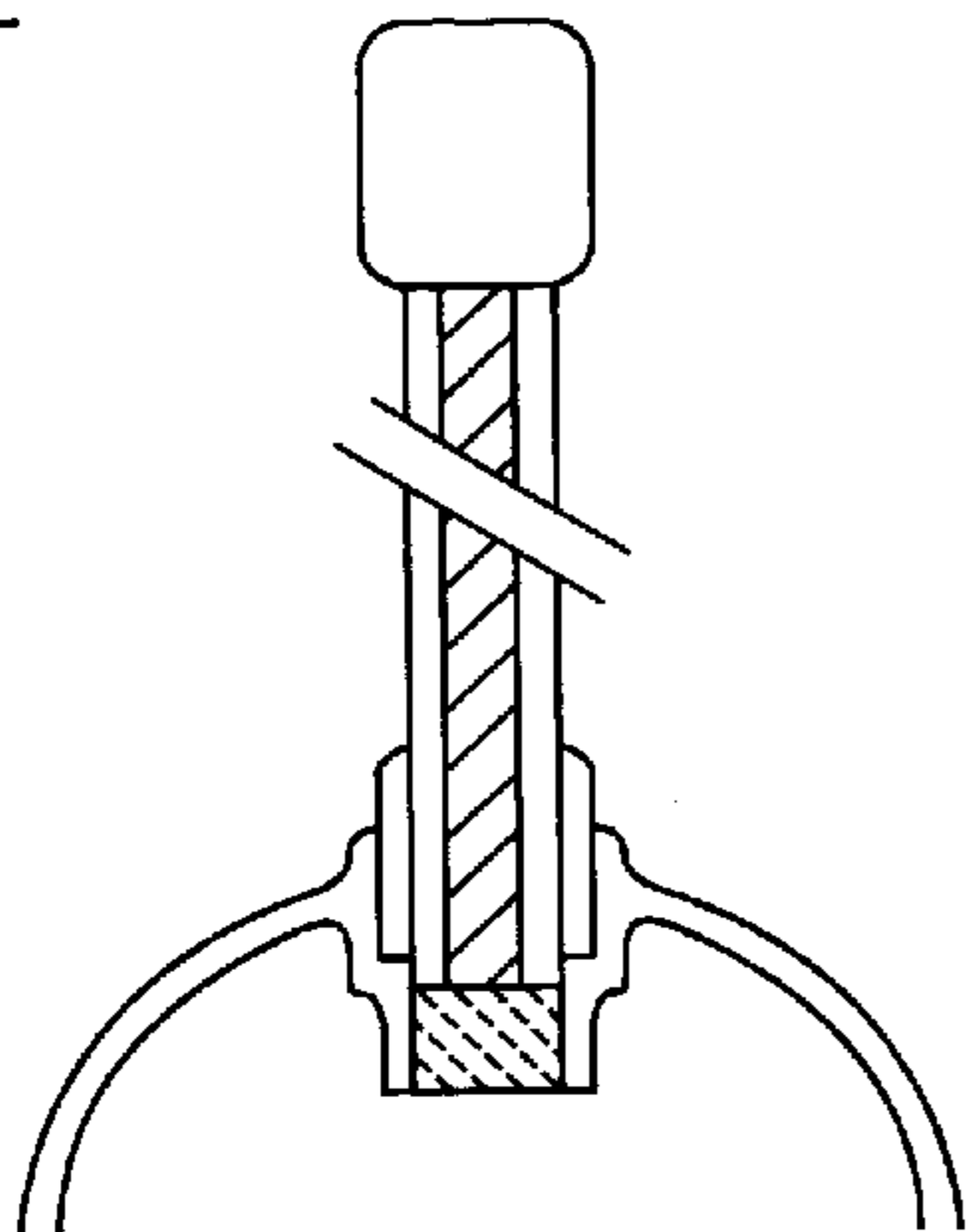


Fig. 5

