



US00D480164S

(12) **United States Design Patent**
Honer

(10) **Patent No.:** **US D480,164 S**

(45) **Date of Patent:** **** Sep. 30, 2003**

(54) **SURFACE CONFIGURATION OF A
TAILLIGHT FOR A VEHICLE**

Primary Examiner—Marcus A. Jackson
(74) *Attorney, Agent, or Firm*—Crowell & Moring LLP

(75) **Inventor:** **Gerhard Honer**, Weil der Stadt (DE)

(57) **CLAIM**

(73) **Assignee:** **DaimlerChrysler AG**, Stuttgart (DE)

The ornamental design for a surface configuration of a taillight for a vehicle, as shown and described.

(**) **Term:** **14 Years**

DESCRIPTION

(21) **Appl. No.:** **29/177,388**

FIG. 1 is a perspective view of a first embodiment of a surface configuration of a taillight for a vehicle according to my novel design;

(22) **Filed:** **Mar. 11, 2003**

(30) **Foreign Application Priority Data**

FIG. 2 is a front view of the first embodiment of the surface configuration of a taillight for a vehicle according to my novel design;

Sep. 26, 2002 (DE) 4 02 08 055

(51) **LOC (7) Cl.** **26-06**

FIG. 3 is a perspective view of a second embodiment of the surface configuration of a taillight for a vehicle according to my novel design; and,

(52) **U.S. Cl.** **D26/28**

(58) **Field of Search** D26/28-36; 362/61, 362/80, 81, 82, 83, 83.3, 267, 269, 330-340

FIG. 4 is a front view of the second embodiment of the surface configuration of a taillight for a vehicle according to my novel design.

(56) **References Cited**

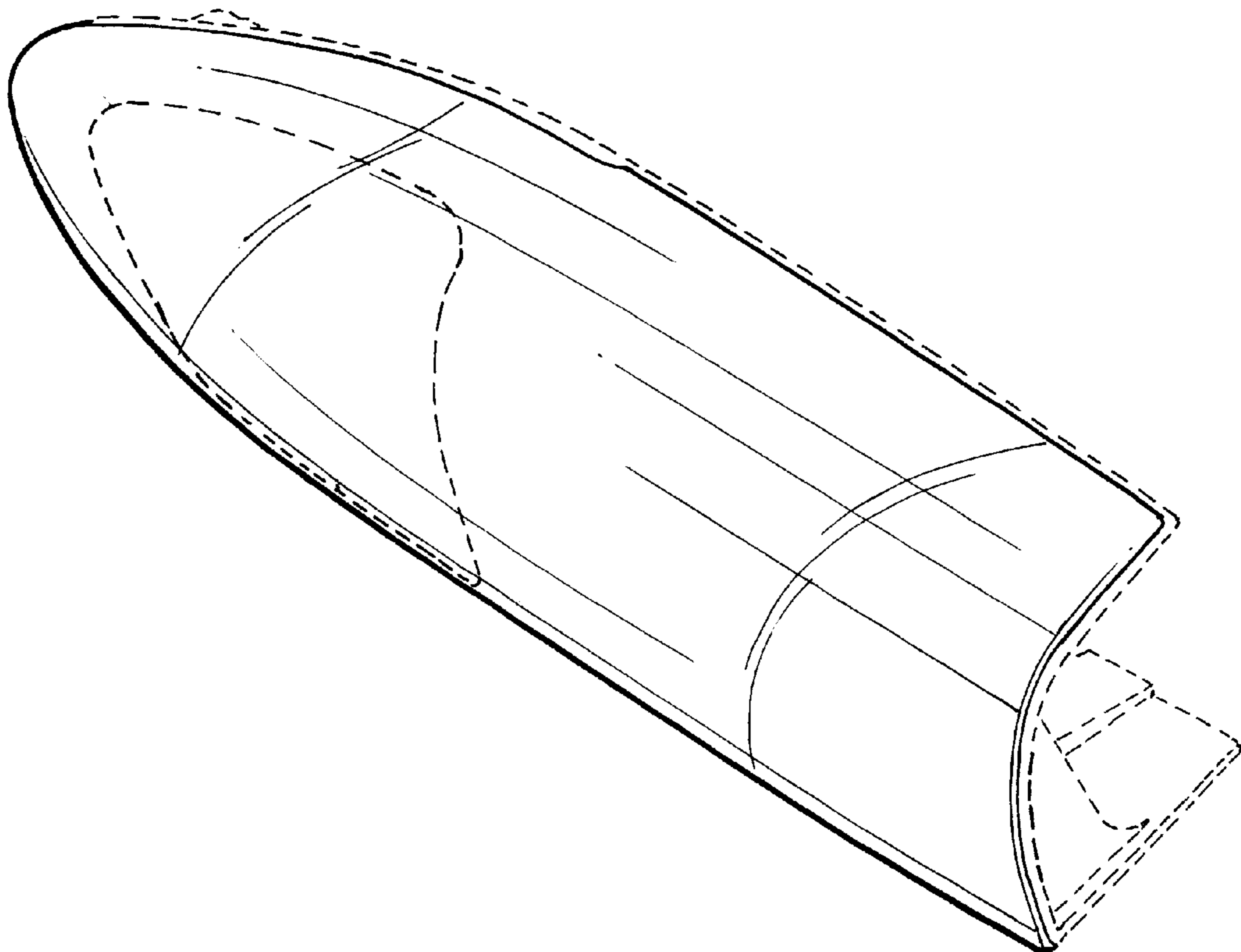
The dash lines included depict environment and are not part of the claimed design.

U.S. PATENT DOCUMENTS

D465,294 S * 11/2002 Crookes et al. D26/28
D467,097 S * 6/2003 Yan D26/28

* cited by examiner

1 Claim, 2 Drawing Sheets



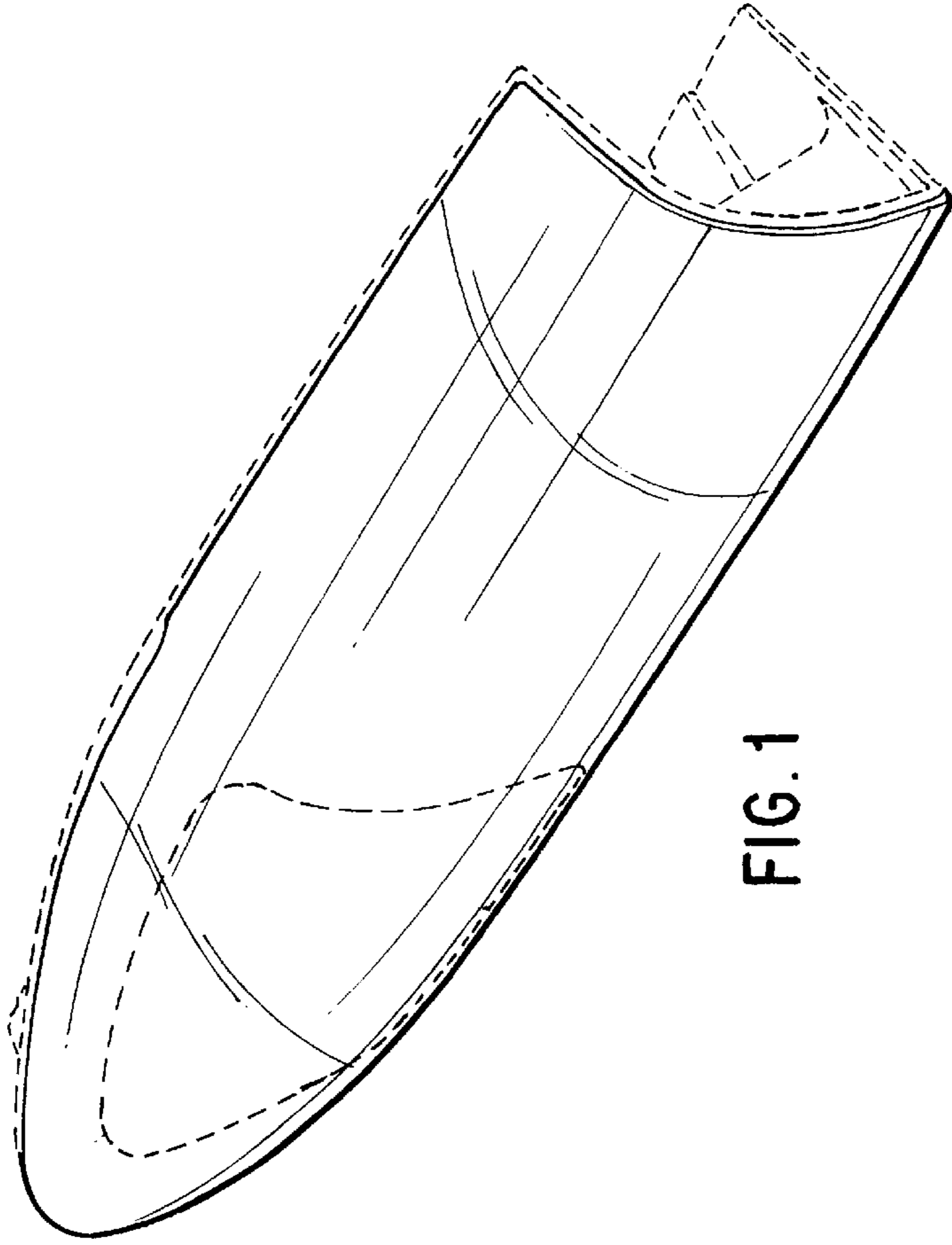


FIG. 1

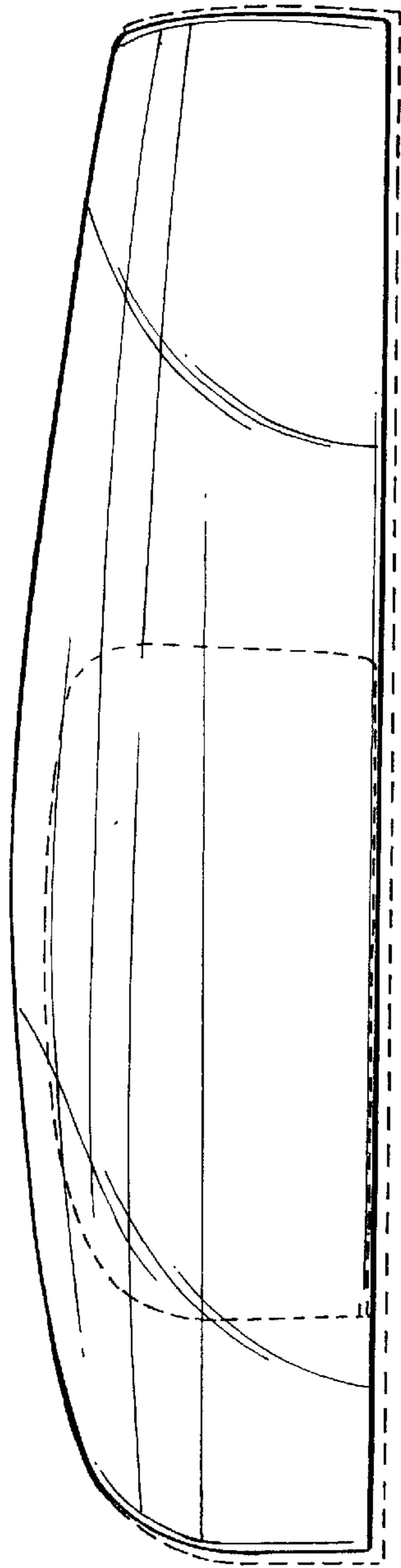


FIG. 2

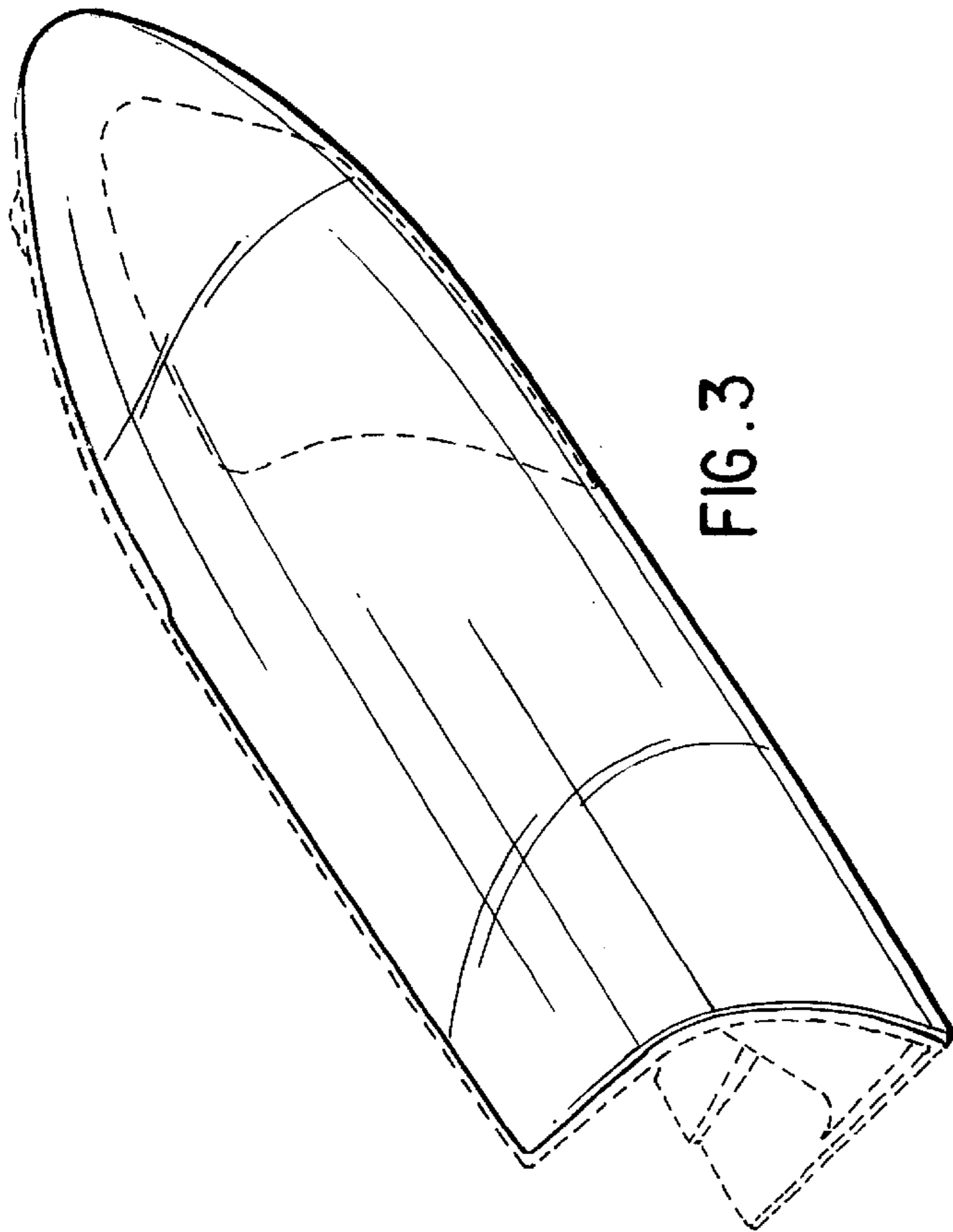


FIG. 3

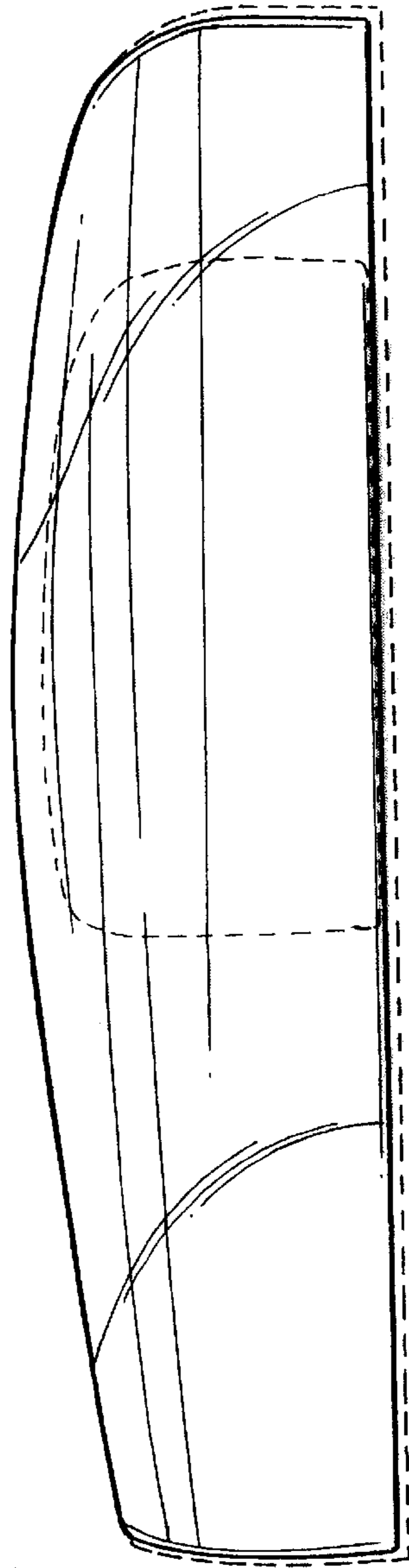


FIG. 4