



US00D480163S

(12) **United States Design Patent**
Pfeiffer et al.

(10) **Patent No.: US D480,163 S**

(45) **Date of Patent: ** Sep. 30, 2003**

(54) **SURFACE CONFIGURATION OF A HEADLIGHT FOR A VEHICLE**

(75) Inventors: **Peter Pfeiffer**, Boeblingen (DE); **Murat Guenak**, Ehningen (DE); **Hans-Dieter Futschik**, Gechingen (DE)

(73) Assignee: **DaimlerChrysler AG**, Stuttgart (DE)

(**) Term: **14 Years**

(21) Appl. No.: **29/166,175**

(22) Filed: **Aug. 23, 2002**

(30) **Foreign Application Priority Data**

Feb. 26, 2002 (DE) 4 02 01 691

(51) **LOC (7) Cl.** **26-06**

(52) **U.S. Cl.** **D26/28**

(58) **Field of Search** D26/28-36; 362/61, 362/80, 81, 82, 83, 83.4, 267, 269, 275, 330-340

(56) **References Cited**

U.S. PATENT DOCUMENTS

- D451,217 S * 11/2001 Pfeiffer D26/28
- D464,749 S * 10/2002 Murkett D26/28
- D466,239 S * 11/2002 Stolz et al. D26/28

* cited by examiner

Primary Examiner—Marcus A. Jackson
(74) *Attorney, Agent, or Firm*—Crowell & Moring LLP

(57) **CLAIM**

The ornamental design for a surface configuration of a headlight for a vehicle, as shown and described.

DESCRIPTION

FIG. 1 is a front view of a first embodiment of a surface configuration of a headlight for a vehicle according to our novel design;

FIG. 2 is a perspective view of the first embodiment of the surface configuration of a headlight for a vehicle according to our novel design;

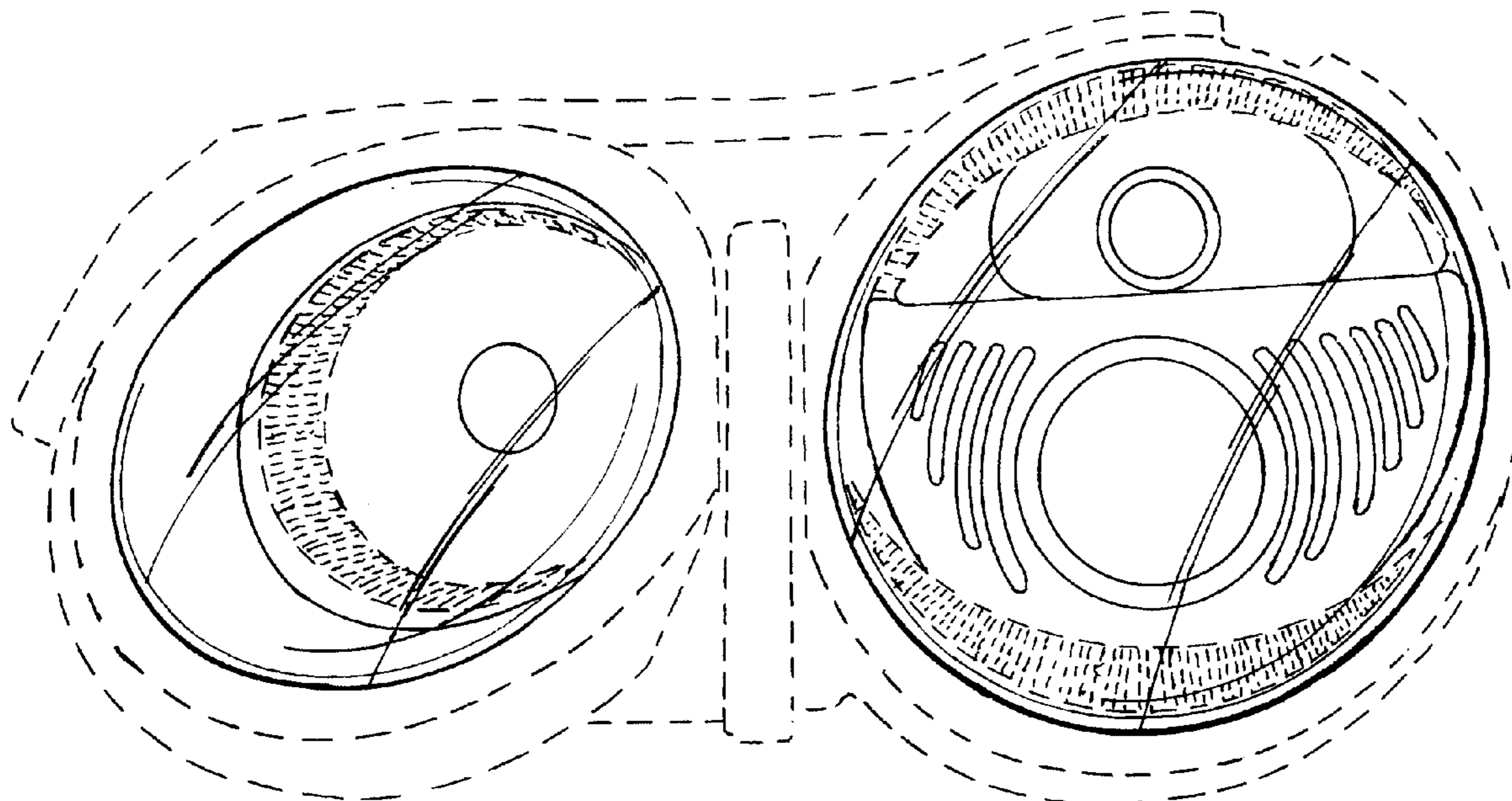
FIG. 3 is a perspective view of the first embodiment of the surface configuration of a headlight for a vehicle according to our novel design;

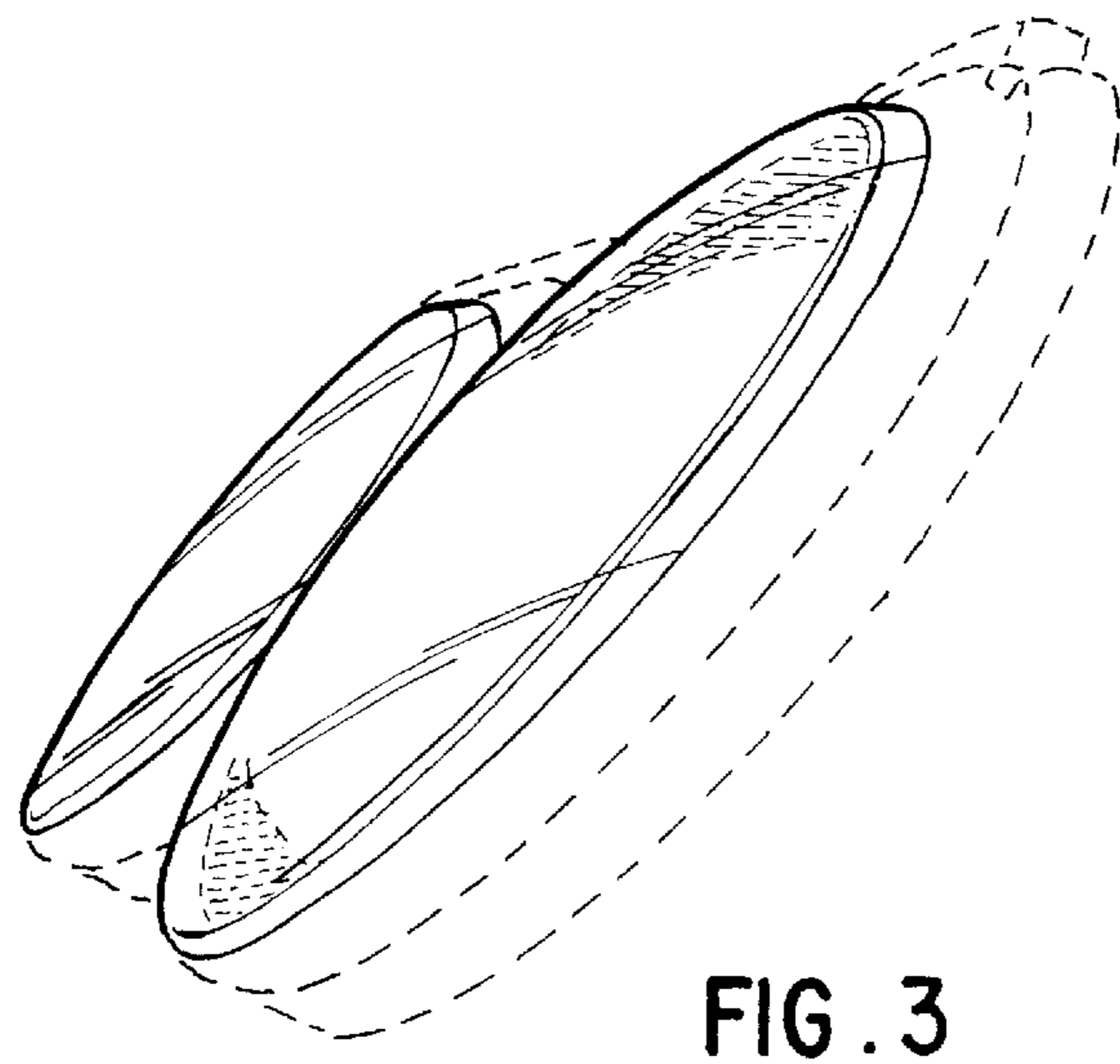
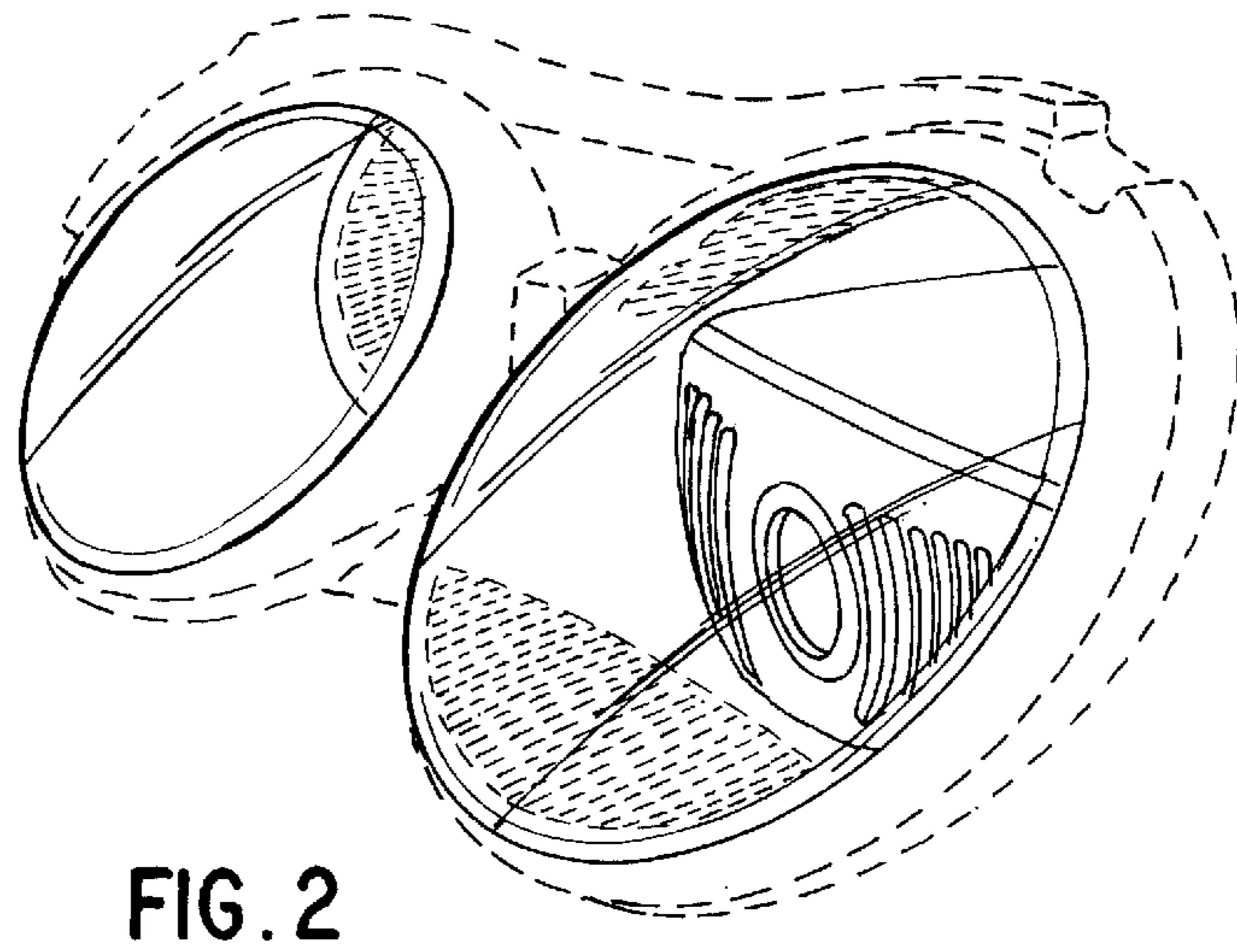
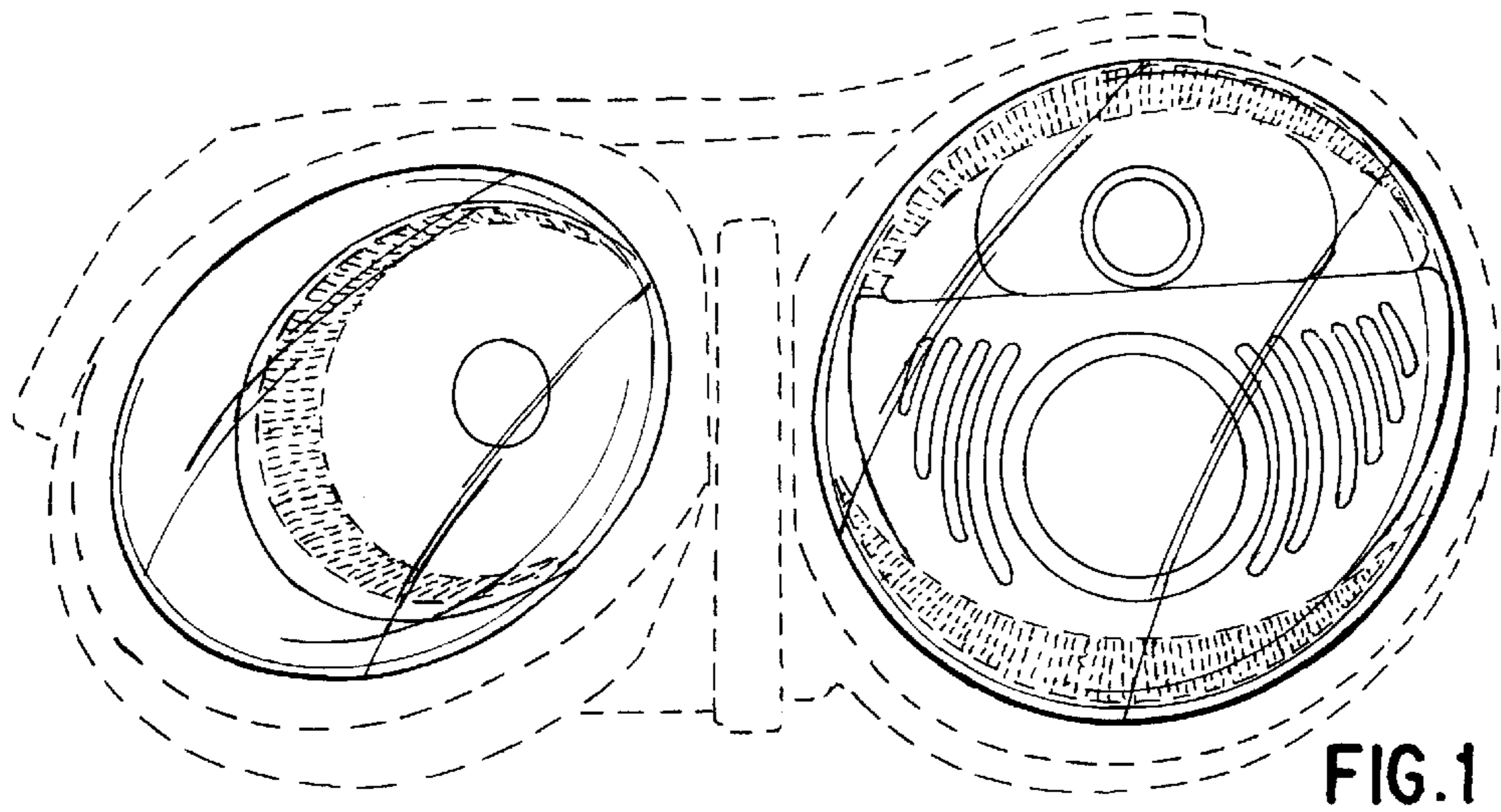
FIG. 4 is a front view of a second embodiment of the surface configuration of a headlight for a vehicle according to our novel design;

FIG. 5 is a perspective view of the second embodiment of the surface configuration of a headlight for a vehicle according to our novel design; and,

FIG. 6 is a perspective view of the second embodiment of the surface configuration of a headlight for a vehicle according to our novel design.

1 Claim, 2 Drawing Sheets





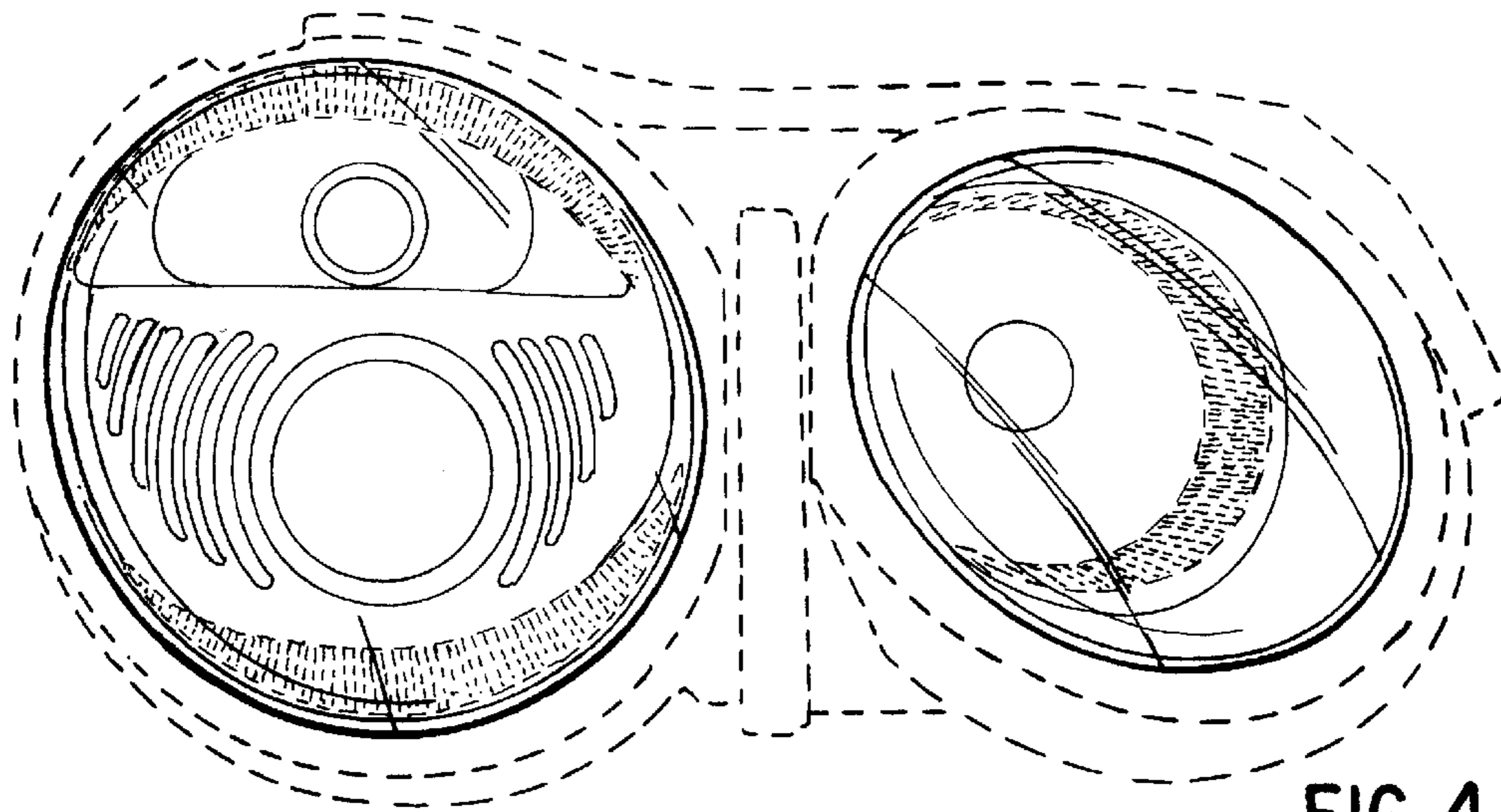


FIG. 4

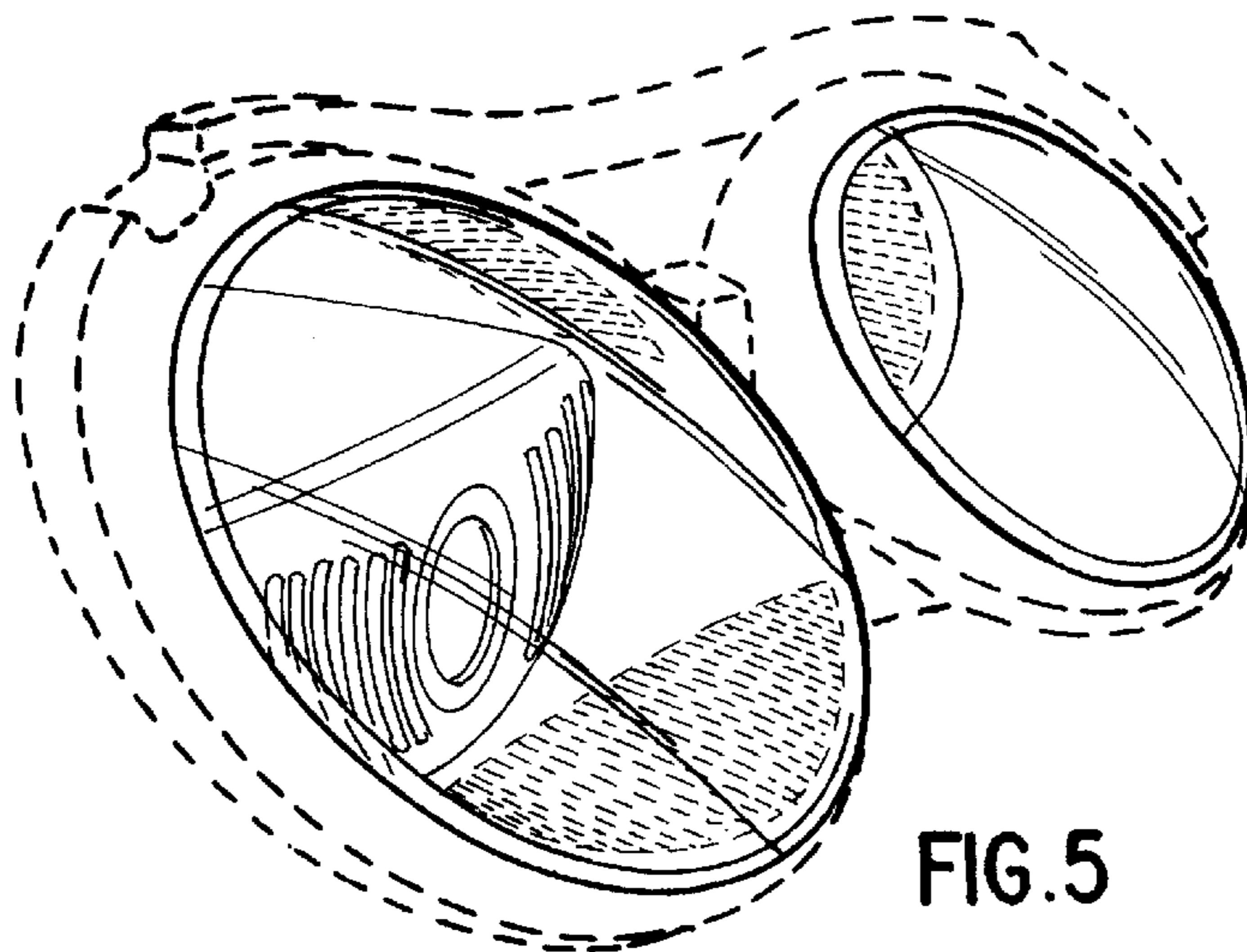


FIG. 5

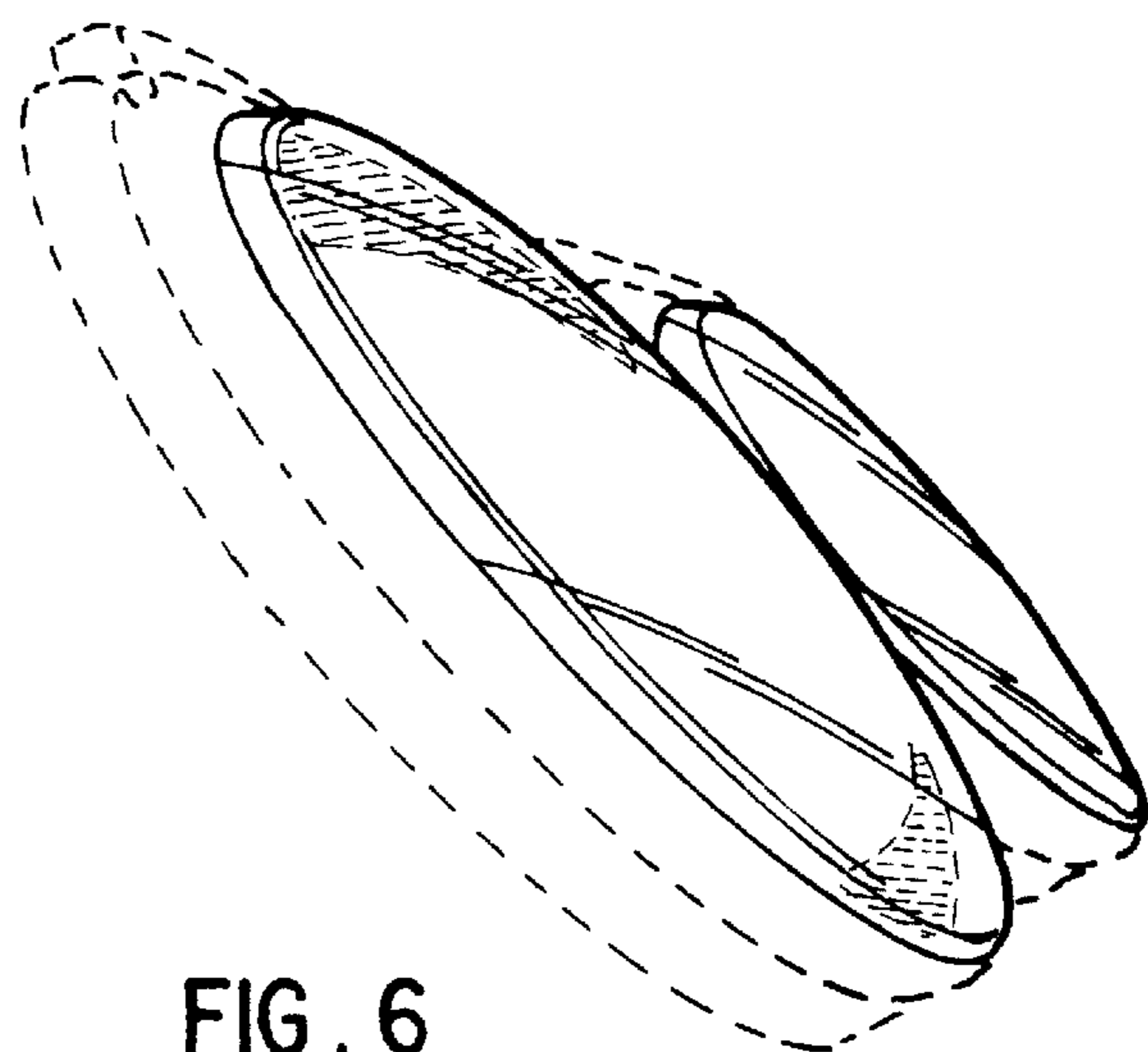


FIG. 6