



US00D480161S

(12) **United States Design Patent**
Foo

(10) **Patent No.:** **US D480,161 S**

(45) **Date of Patent:** **** Sep. 30, 2003**

(54) **FLUORESCENT TUBE**

D463,585 S * 9/2002 Foo D26/3

D463,870 S * 10/2002 Foo D26/3

D473,329 S * 4/2003 Foo D26/3

(75) **Inventor:** **Onn Fah Foo, Kowloon (HK)**

(73) **Assignee:** **Mass Technology (H.K.) Ltd.,
Kowloon (HK)**

* cited by examiner

(**) **Term:** **14 Years**

Primary Examiner—Marcus A. Jackson

(74) *Attorney, Agent, or Firm*—Rabin & Berdo, P.C.

(21) **Appl. No.:** **29/143,343**

(57) **CLAIM**

(22) **Filed:** **Jun. 13, 2001**

The ornamental design for a fluorescent tube, as shown and described.

(30) **Foreign Application Priority Data**

DESCRIPTION

Apr. 20, 2001 (CN) 01 3 08807

(51) **LOC (7) Cl.** **26-06**

FIG. 1 is a front view of a fluorescent tube showing my new design;

(52) **U.S. Cl.** **D26/3**

FIG. 2 is a left side view thereof;

(58) **Field of Search** D26/1, 2, 3, 4;

FIG. 3 is a right side view thereof;

313/313, 315, 317, 318, 493, 497, 567,
569; 315/56, 57, 58, 73

FIG. 4 is a rear view thereof;

FIG. 5 is a top view thereof; and,

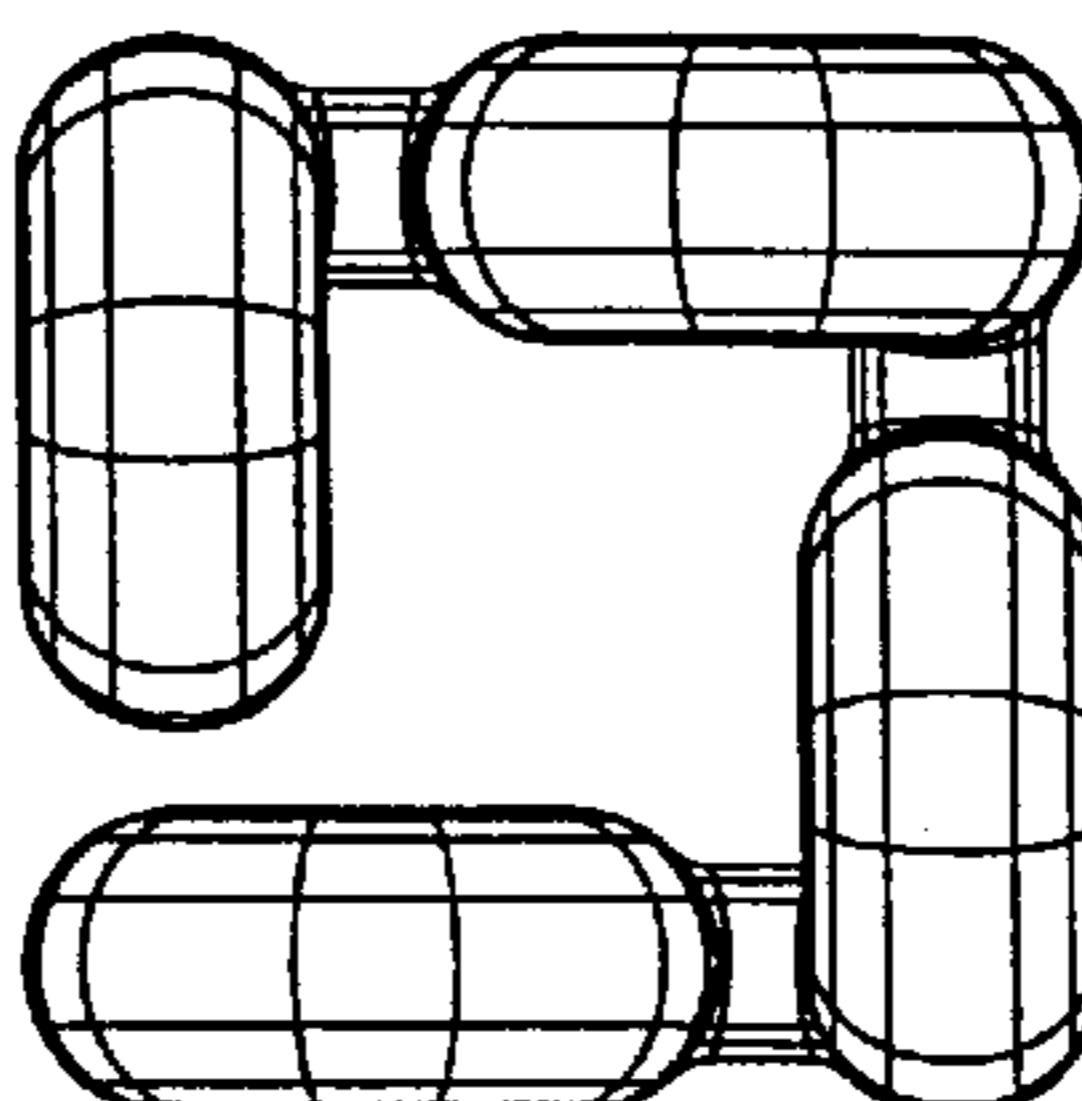
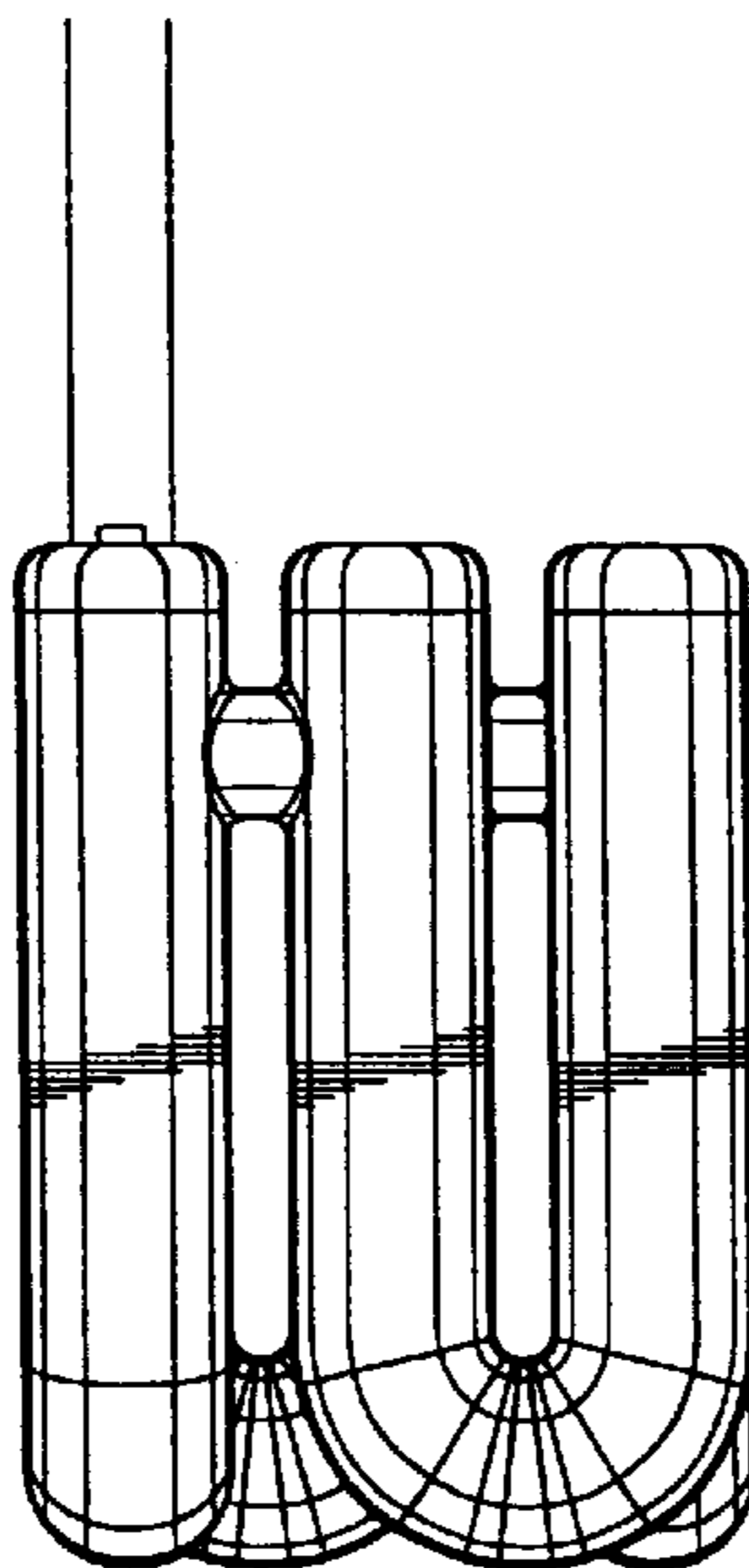
FIG. 6 is a bottom view thereof.

(56) **References Cited**

U.S. PATENT DOCUMENTS

D444,580 S * 7/2001 Foo D26/3

1 Claim, 1 Drawing Sheet



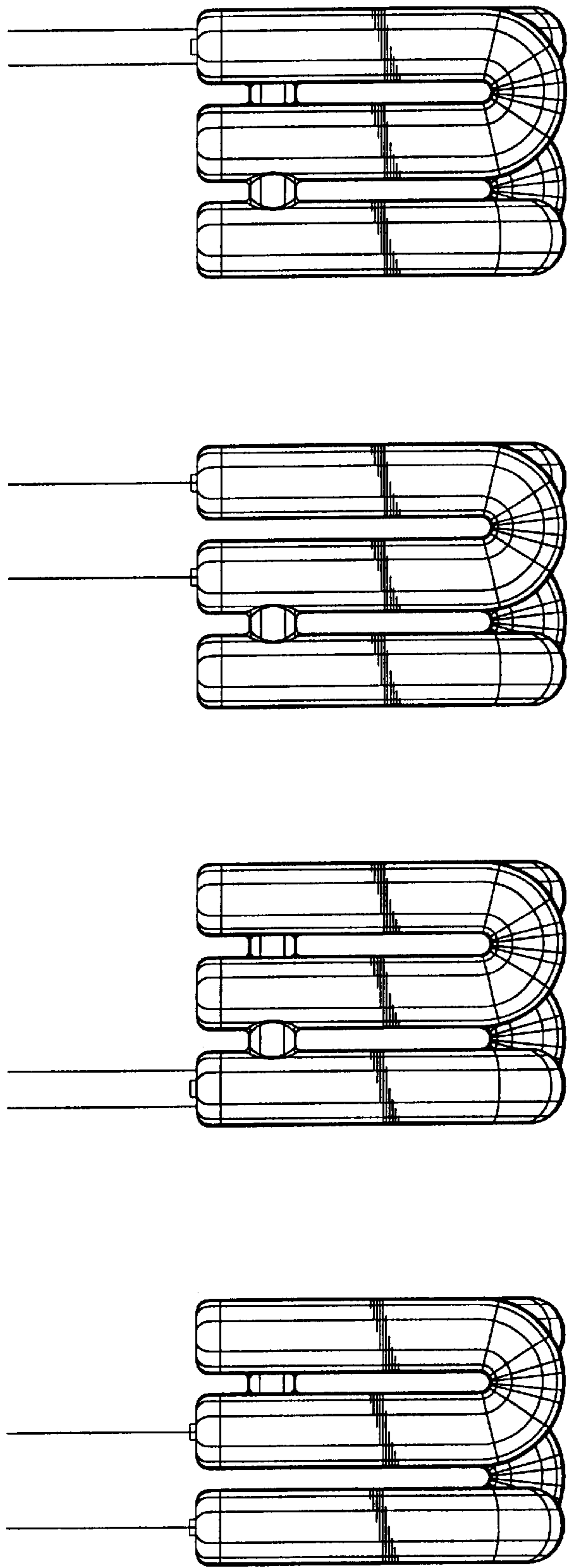


FIG. 2

FIG. 1

FIG. 3

FIG. 4

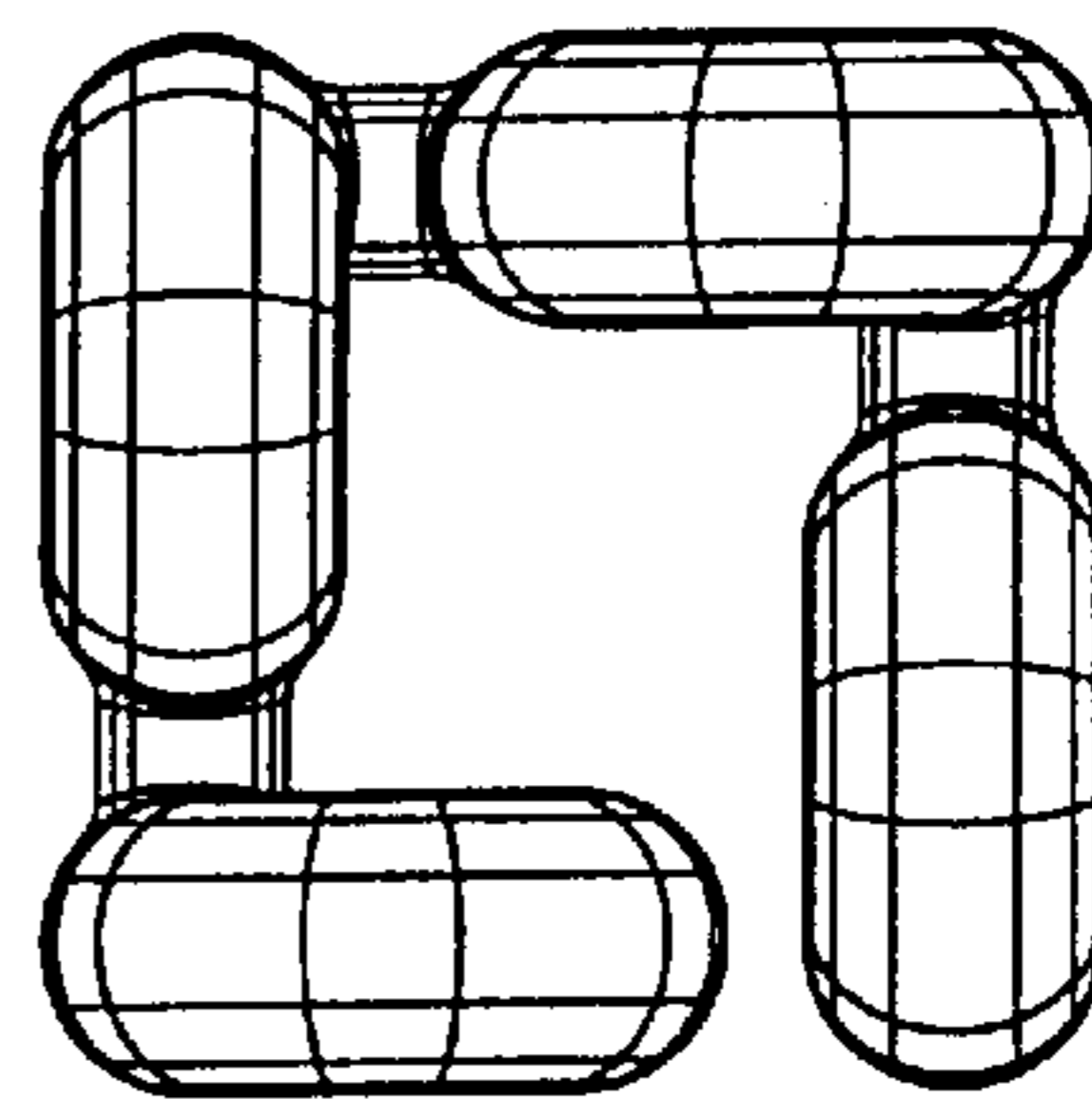


FIG. 6

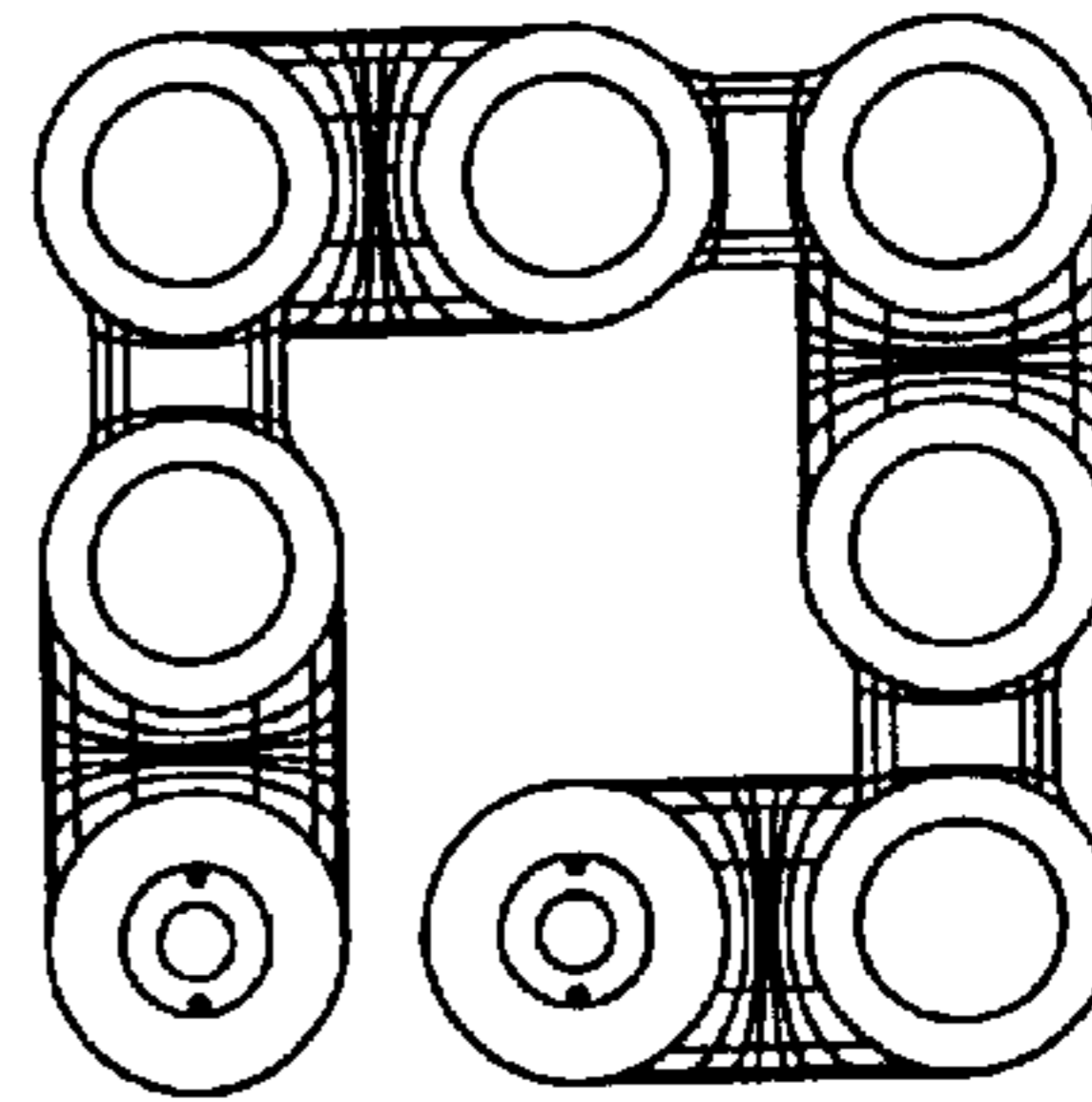


FIG. 5