



US00D480160S

(12) **United States Design Patent**
Matsui et al.

(10) **Patent No.:** **US D480,160 S**

(45) **Date of Patent:** **** Sep. 30, 2003**

(54) **LIGHT-EMITTING DIODE**

(75) Inventors: **Akira Matsui**, Kyoto (JP); **Hironobu Kiyomoto**, Nara (JP)

(73) Assignee: **Omron Corporation**, Tokyo (JP)

(**) Term: **14 Years**

(21) Appl. No.: **29/150,129**

(22) Filed: **Nov. 7, 2001**

(30) **Foreign Application Priority Data**

May 29, 2001 (JP) 2001-015480

(51) **LOC (7) Cl.** **26-06**

(52) **U.S. Cl.** **D26/2**

(58) **Field of Search** D26/1, 2; 362/157,
362/158, 171, 172, 173, 183-208; 313/313,
315, 316, 317, 318, 493

(56) **References Cited**

U.S. PATENT DOCUMENTS

D334,242 S * 3/1993 Imamura et al. D26/1
D464,744 S * 10/2002 Kato et al. D26/1

* cited by examiner

Primary Examiner—Marcus A. Jackson

(74) *Attorney, Agent, or Firm*—Dickstein Shapiro Morin & Oshinsky LLP

(57) **CLAIM**

The ornamental design for a light-emitting diode, as shown and described.

DESCRIPTION

FIG. 1 is a front view showing my new design for a light-emitting diode;

FIG. 2 is a right side view of the light-emitting diode of FIG. 1;

FIG. 3 is a left side view of the light-emitting diode of FIG. 1;

FIG. 4 is a top view of the light-emitting diode of FIG. 5;

FIG. 5 is a bottom view of the light-emitting diode of FIG. 1;

FIG. 6 is a cross-sectional view of the light-emitting diode taken along line A—A of FIG. 4; and,

FIG. 7 is a cross-sectional view of the light-emitting diode taken along line B—B of FIG. 1.

1 Claim, 3 Drawing Sheets

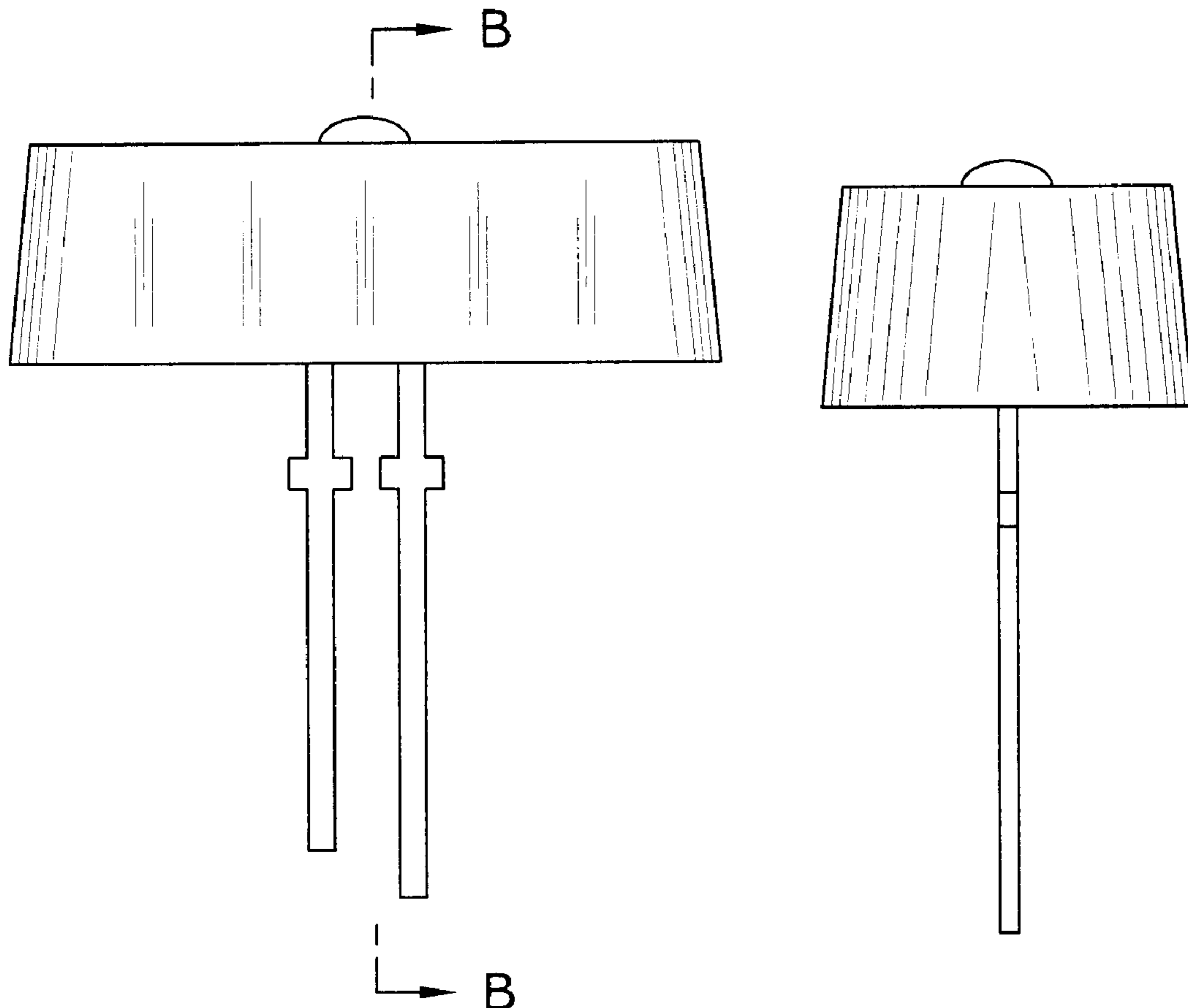


FIG. 1

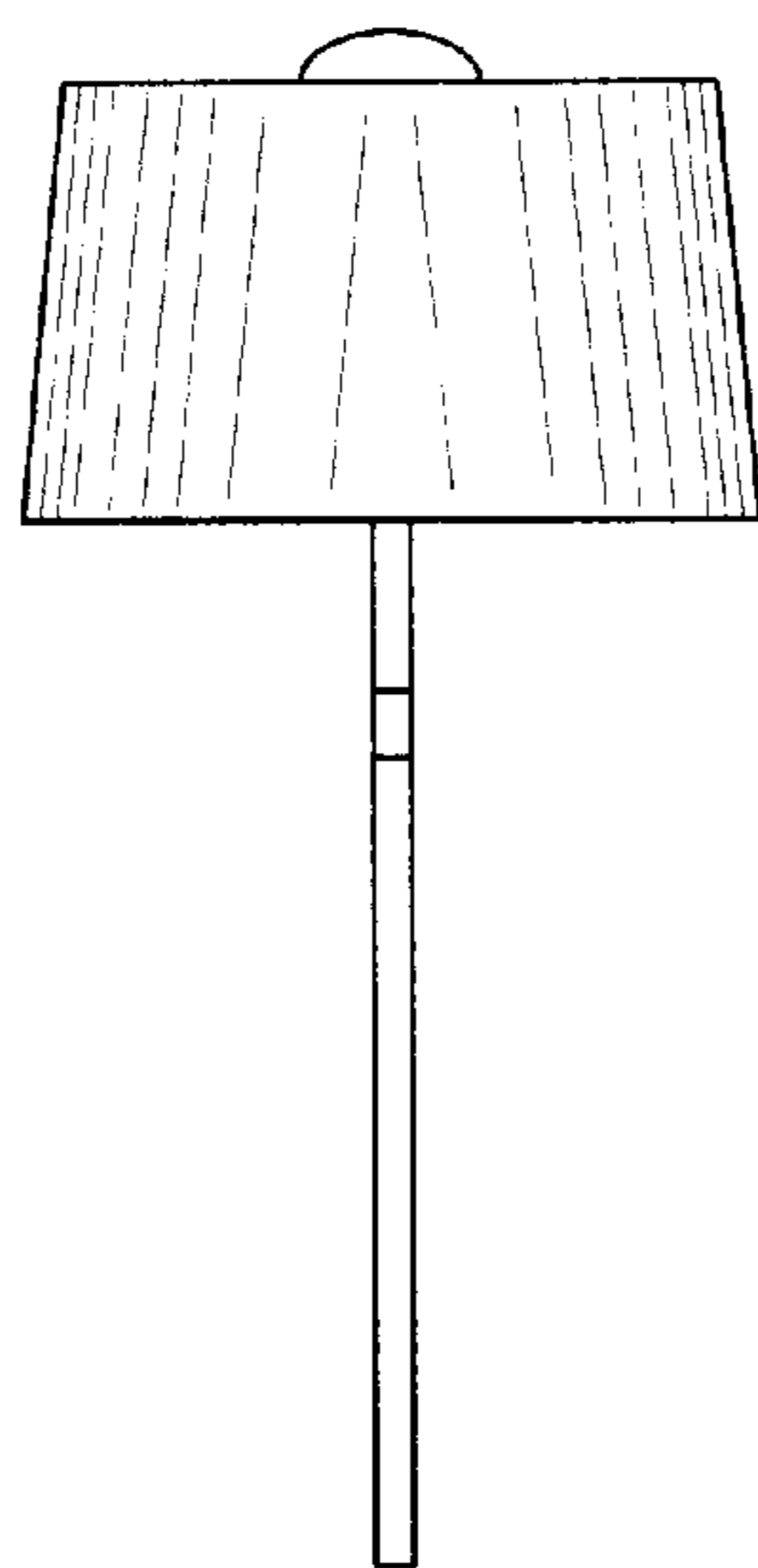
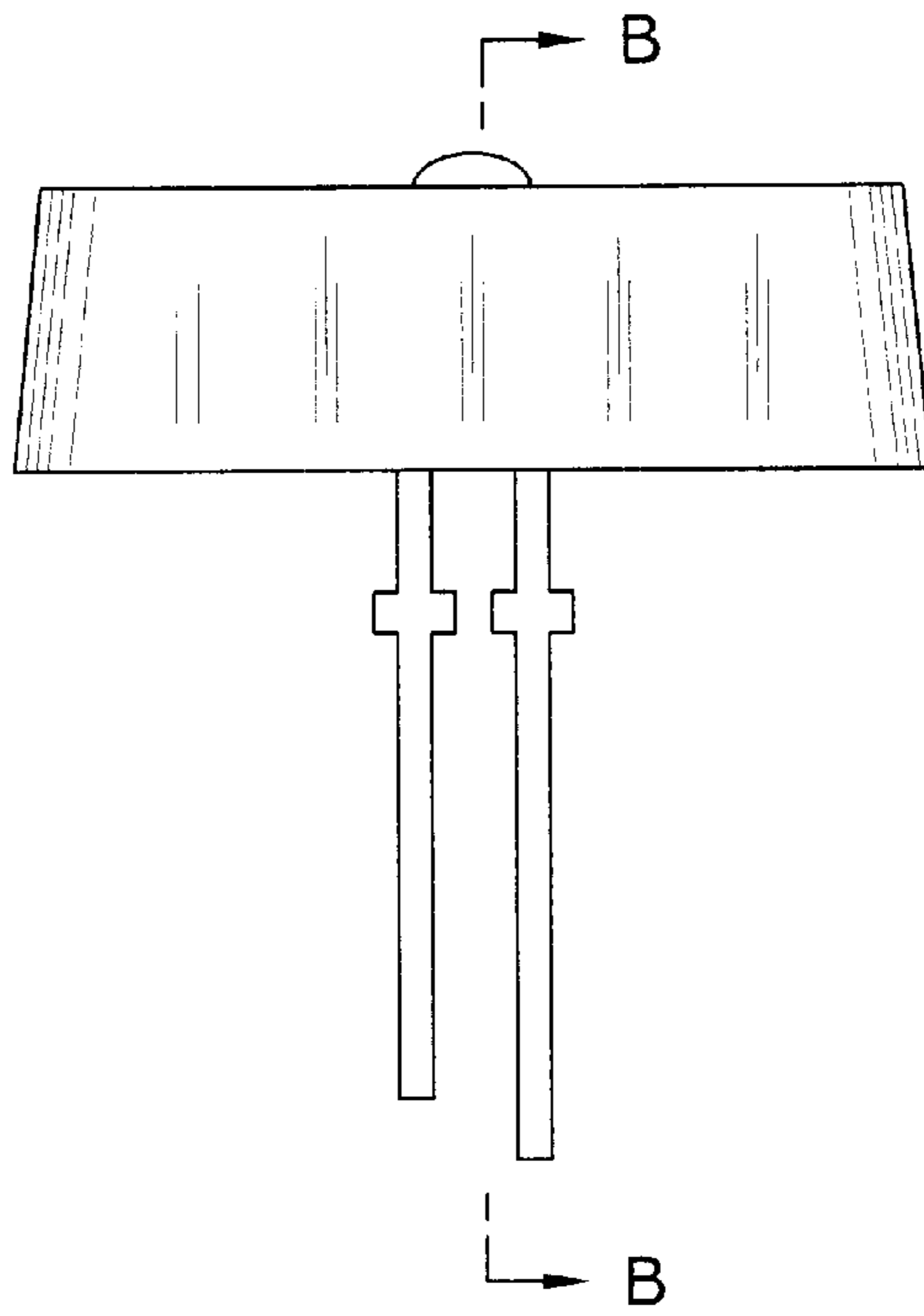


FIG. 2

FIG. 3

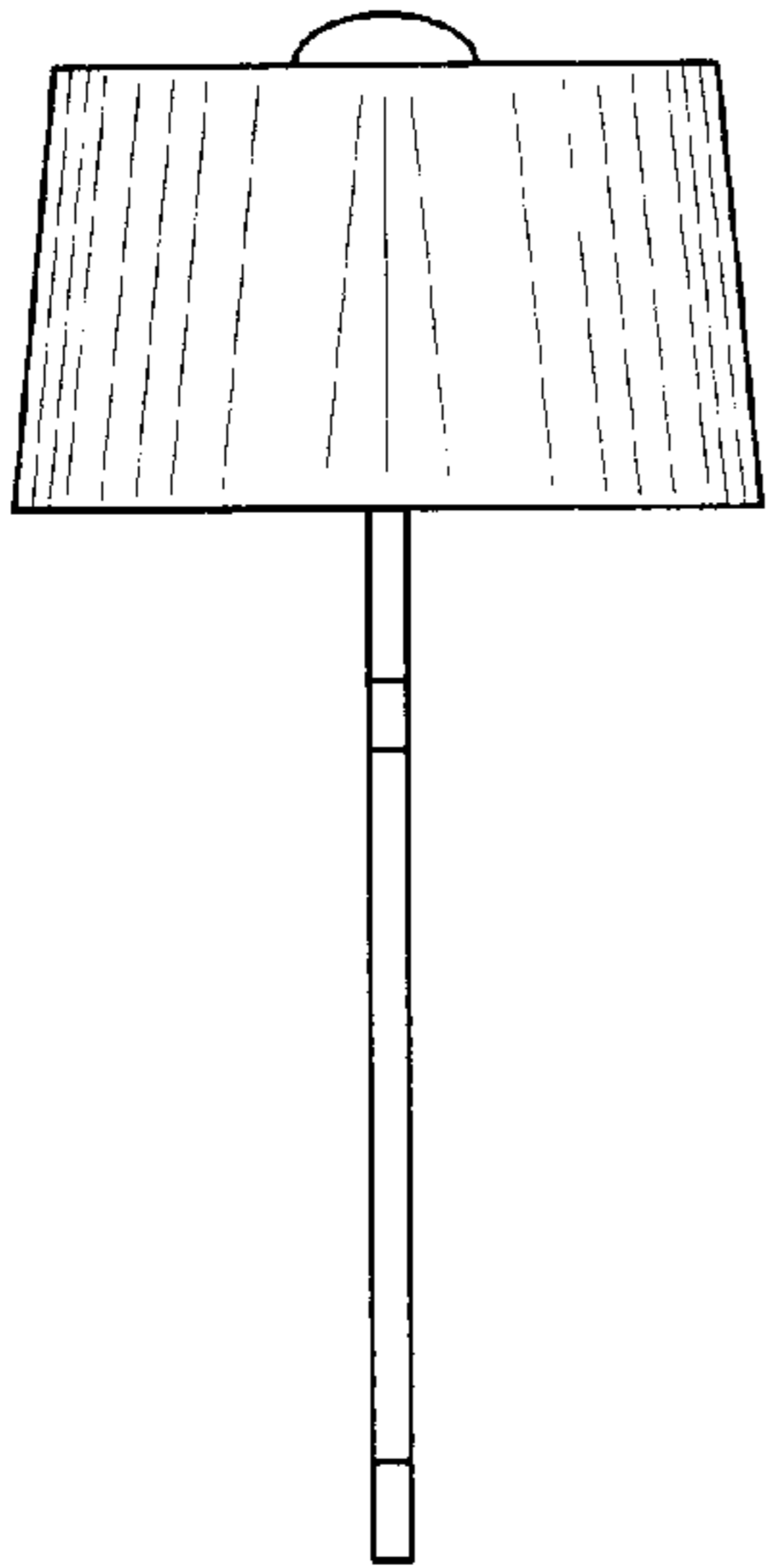


FIG. 4

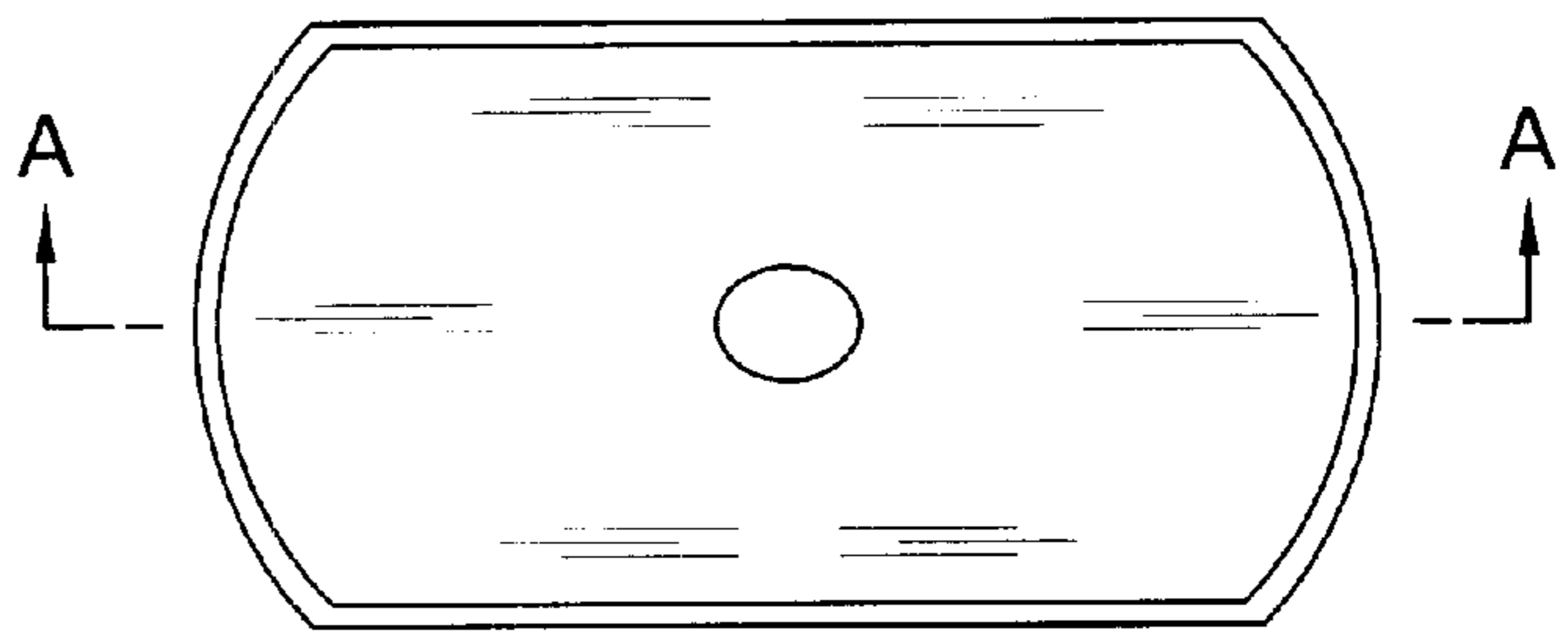


FIG. 5

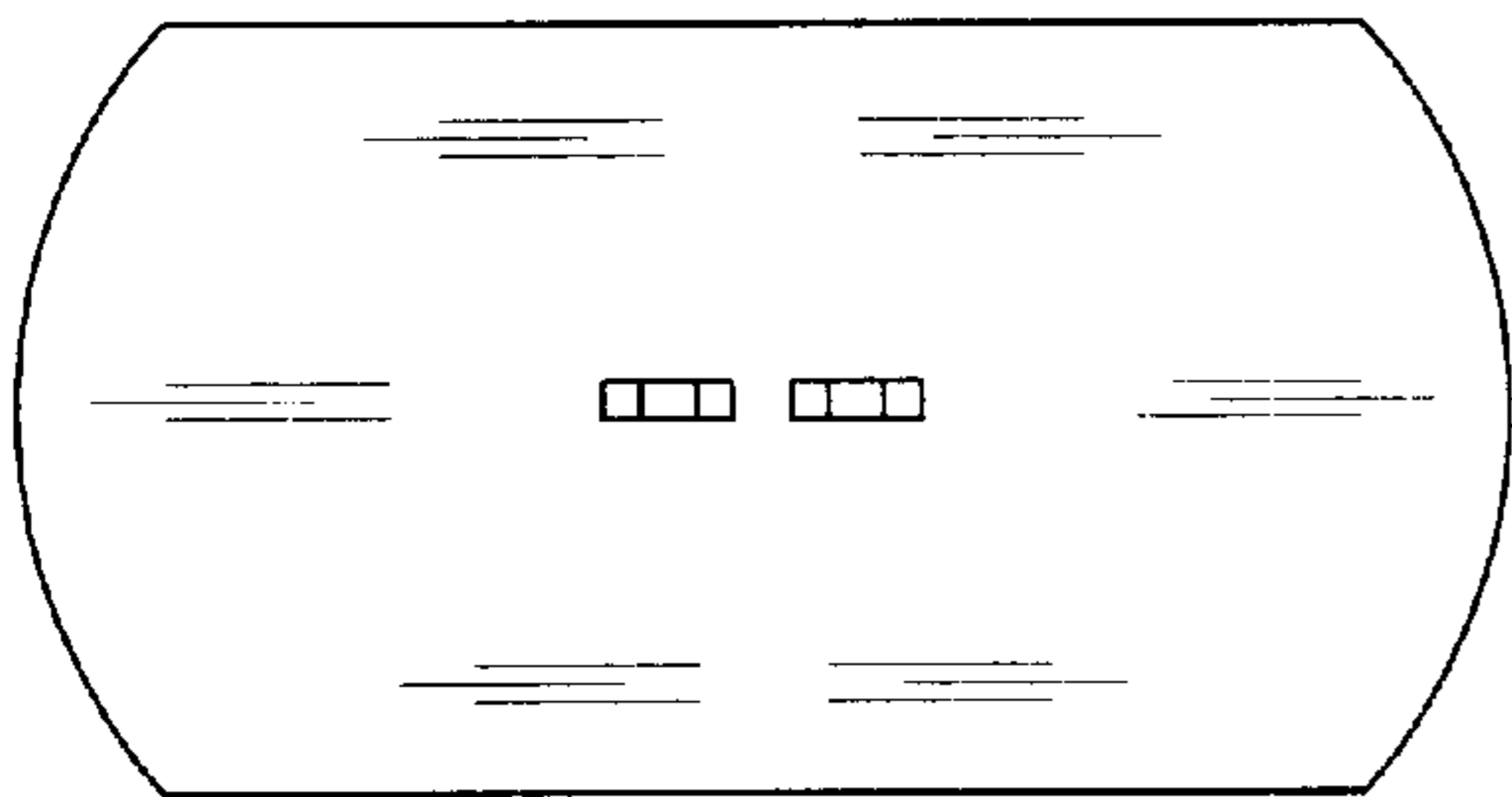


FIG. 6

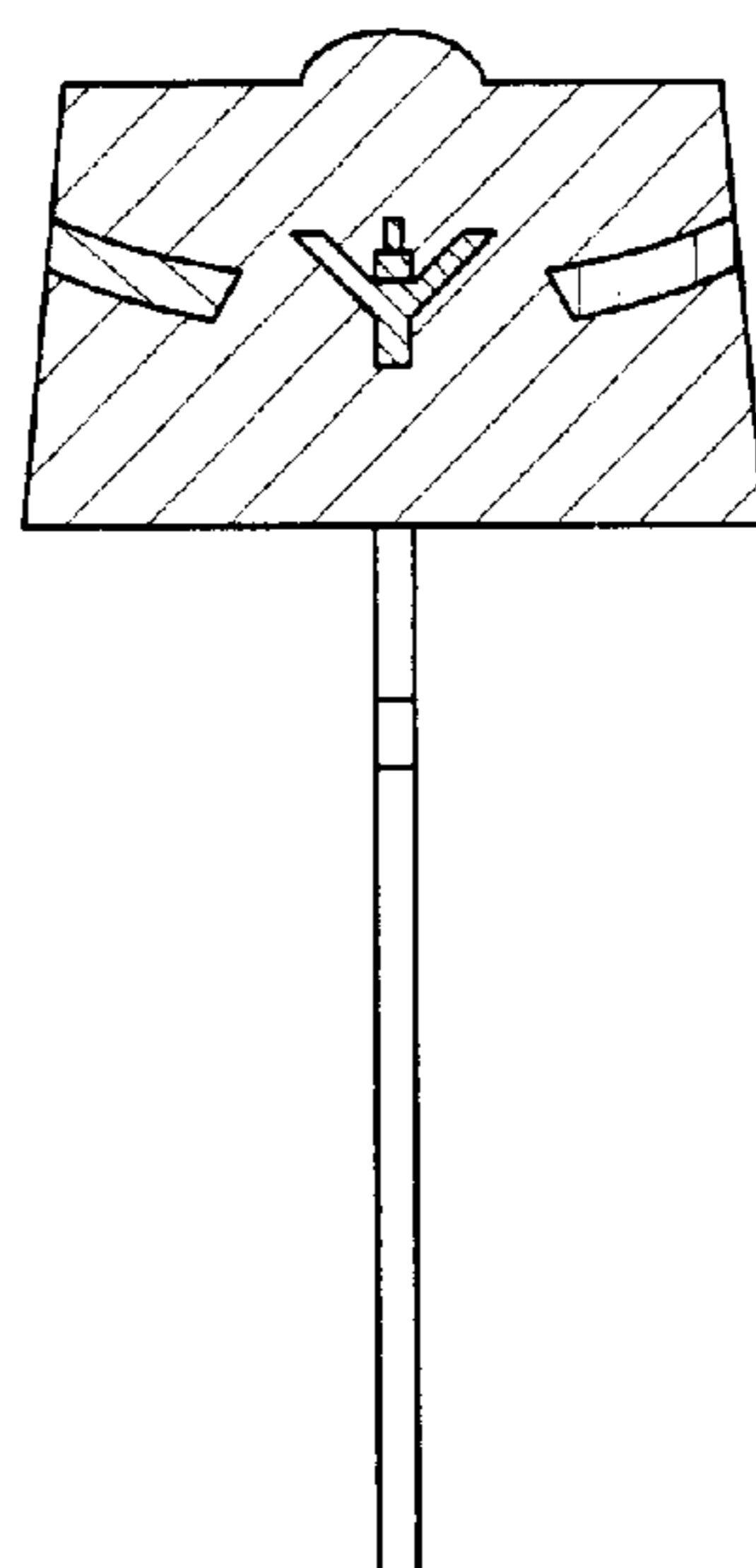
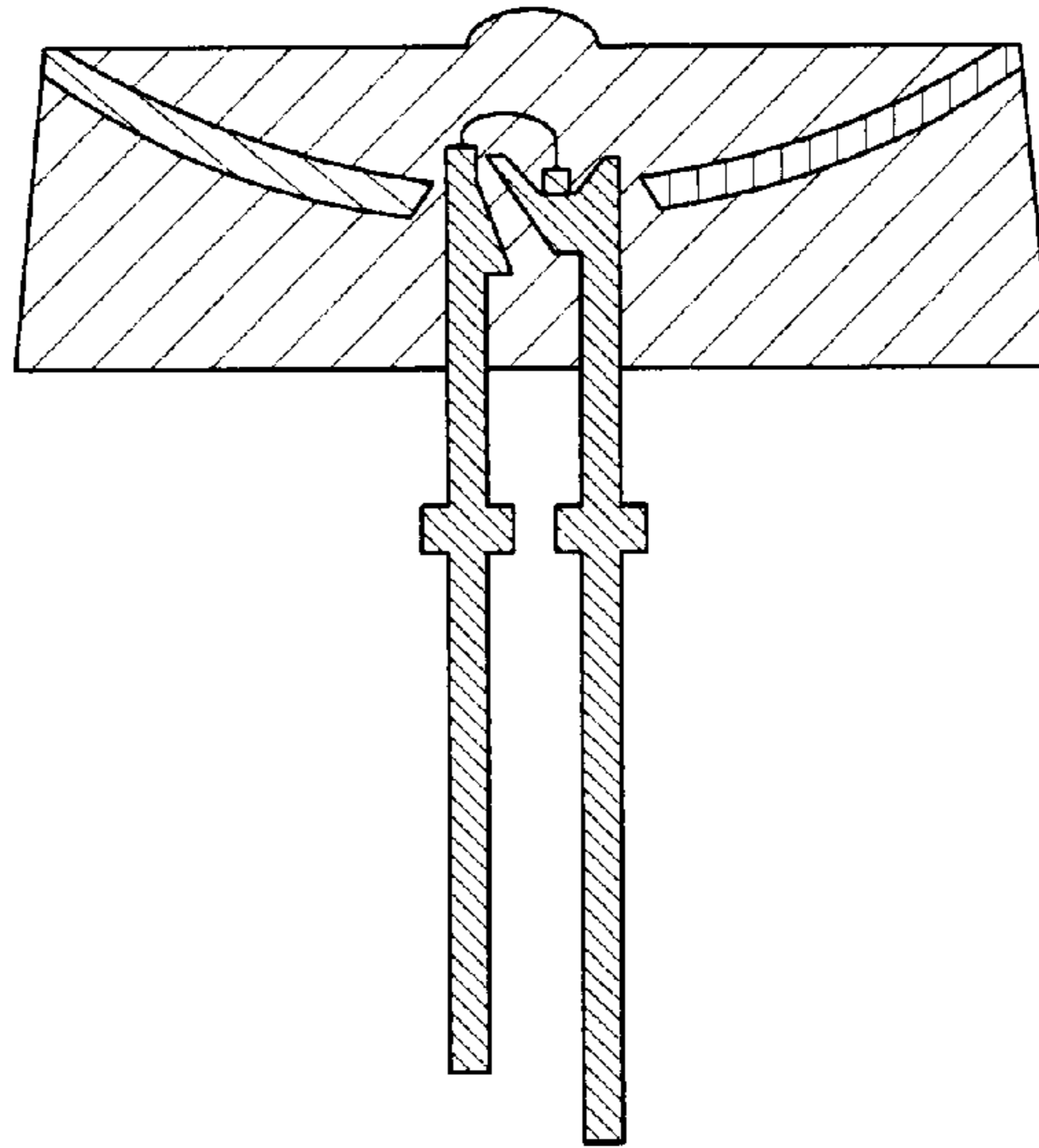


FIG. 7