



US00D480159S

(12) **United States Design Patent**
Gresham et al.

(10) **Patent No.:** **US D480,159 S**

(45) **Date of Patent:** **** Sep. 30, 2003**

- (54) **LINEAR TRIM SECTION**
- (75) Inventors: **David M. Gresham**, E. Grand Rapids, MI (US); **Karl Heinz Mueller**, E. Grand Rapids, MI (US); **Karl J. Mead**, E. Grand Rapids, MI (US)
- (73) Assignee: **Steelcase Development Corporation**, Caledonia, MI (US)
- (**) Term: **14 Years**

- 5,377,466 A 1/1995 Insalaco et al.
- 5,560,169 A 10/1996 Palmer
- 5,600,926 A 2/1997 Ehrlich
- 5,642,593 A 7/1997 Shieh
- 5,737,893 A 4/1998 Rossiter et al.
- 5,839,240 A 11/1998 Elsholz et al.
- 5,875,596 A 3/1999 Muller
- 5,970,675 A 10/1999 Schray
- D417,015 S 11/1999 Chau et al.
- 6,009,675 A 1/2000 Waalkes et al.
- 6,098,358 A 8/2000 Waalkes et al.
- 6,223,485 B1 5/2001 Beck et al.

- (21) Appl. No.: **29/173,762**
- (22) Filed: **Jan. 6, 2003**

Primary Examiner—Doris Clark
(74) *Attorney, Agent, or Firm*—Price, Heneveld, Cooper Dewitt & Litton

Related U.S. Application Data

- (62) Division of application No. 29/158,194, filed on Mar. 29, 2002.
- (51) **LOC (7) Cl.** **25-01**
- (52) **U.S. Cl.** **D25/136**
- (58) **Field of Search** D25/55, 136, 121, D25/119; 52/290, 242, 239, 262, 263, 287.1, 717.01, 718.01

(57) **CLAIM**

We claim the ornamental design for a linear trim section, as shown and described.

(56) **References Cited**

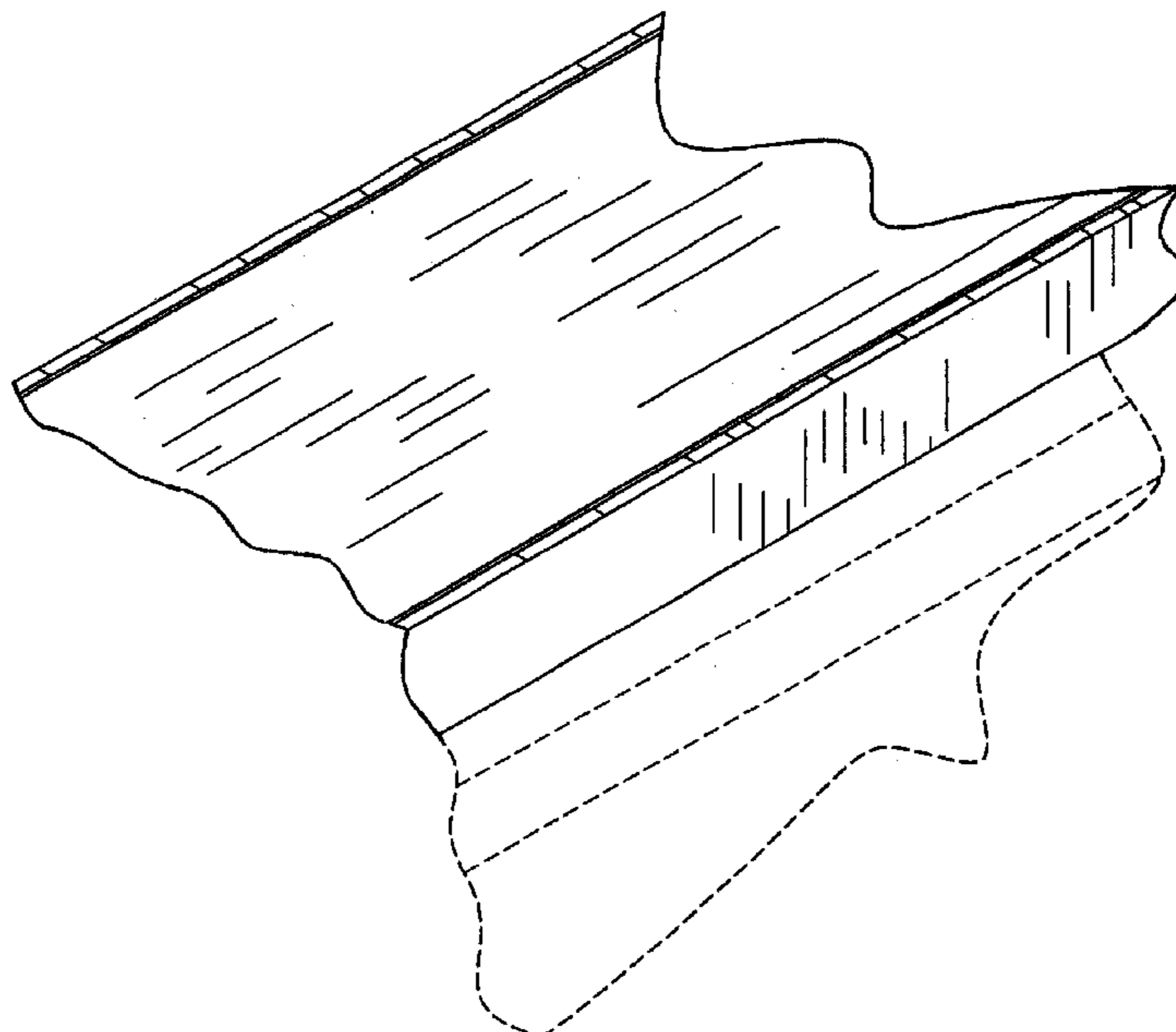
U.S. PATENT DOCUMENTS

- 3,807,102 A 4/1974 Albinson et al.
- 4,035,972 A 7/1977 Timmons
- 4,611,448 A 9/1986 DeLong
- 4,891,922 A 1/1990 Hozer et al.
- 4,947,601 A 8/1990 McGuire
- 4,949,519 A 8/1990 Jeffers
- 5,070,666 A 12/1991 Looman
- 5,175,969 A 1/1993 Knauf et al.
- 5,274,975 A 1/1994 Haag
- 5,347,778 A 9/1994 Bray

DESCRIPTION

FIG. 1 is a perspective view of a linear trim section of embodying our design;
 FIG. 2 is a top view of FIG. 1; and
 FIG. 3 is a front view of FIG. 1, the rear being a mirror image thereof.
 FIG. 4 is a perspective view of a linear trim section of a second embodiment embodying our design;
 FIG. 5 is a top view of FIG. 4; and,
 FIG. 6 is a front view of FIG. 4, the rear being a mirror image thereof.
 The broken lines in FIGS. 1, 3, 4, and 6 are to show the environment and do not form a part of the present invention. The claimed design is broken on the ends to indicate indefinite length.

1 Claim, 2 Drawing Sheets



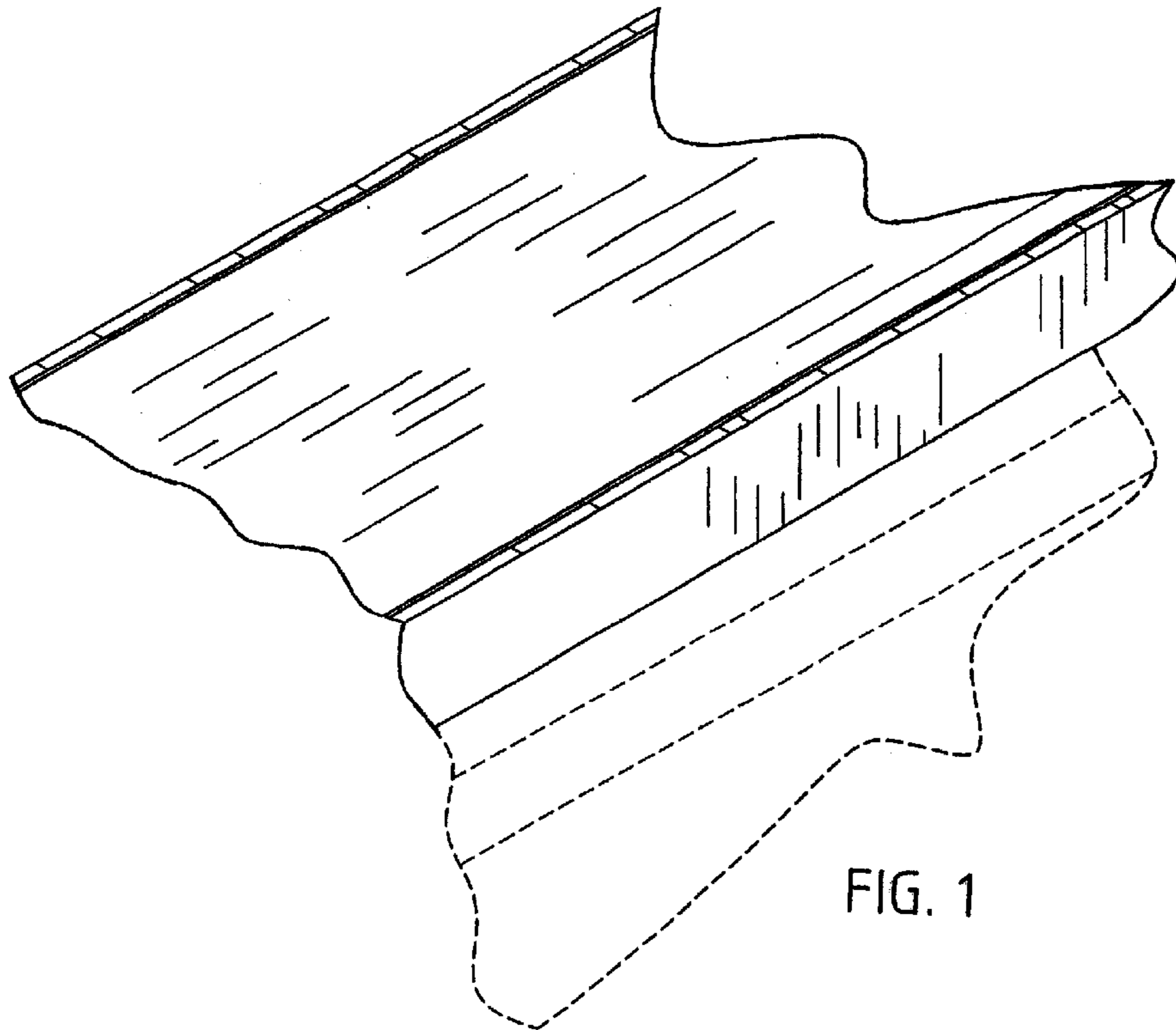


FIG. 1

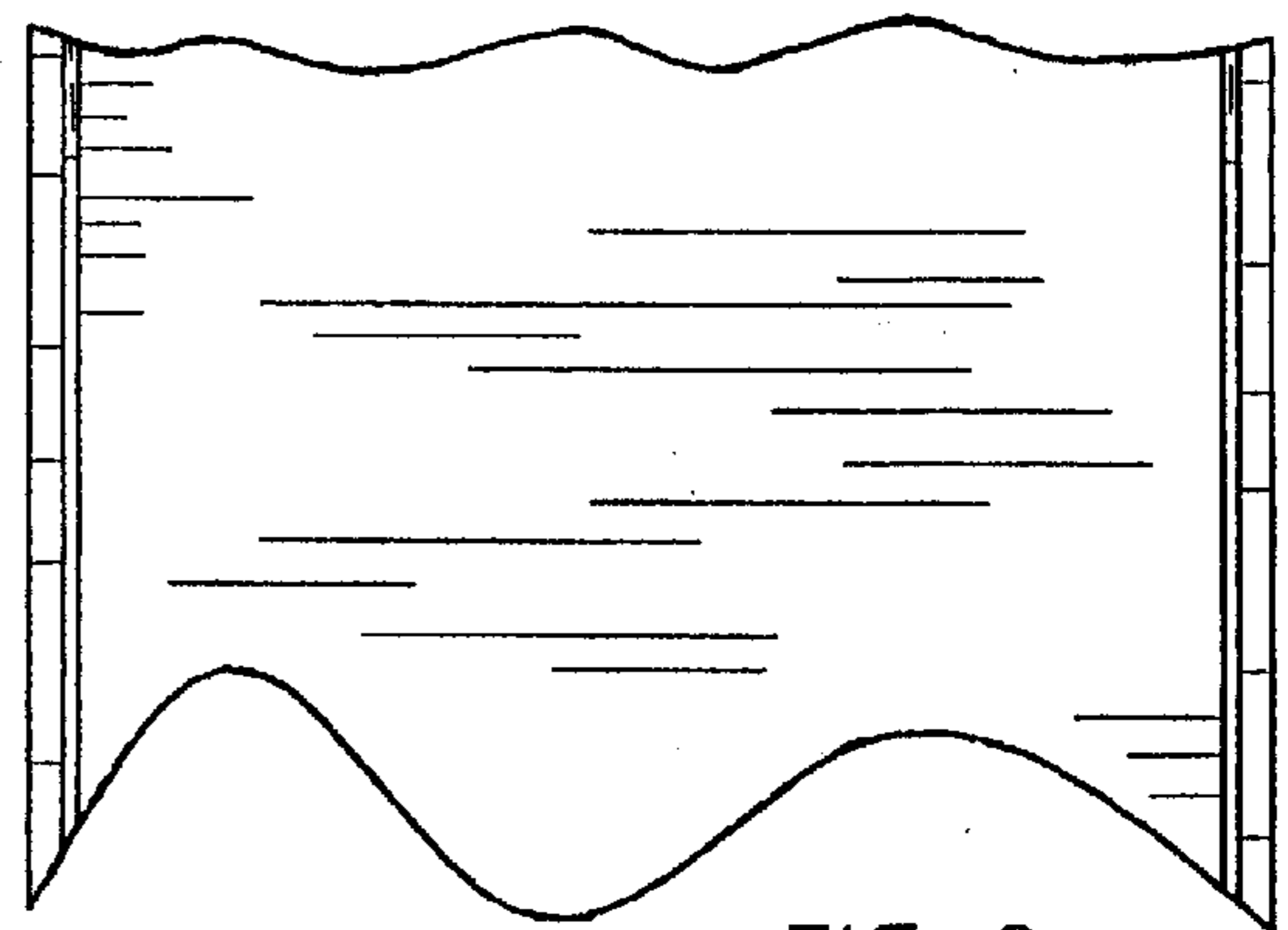


FIG. 2

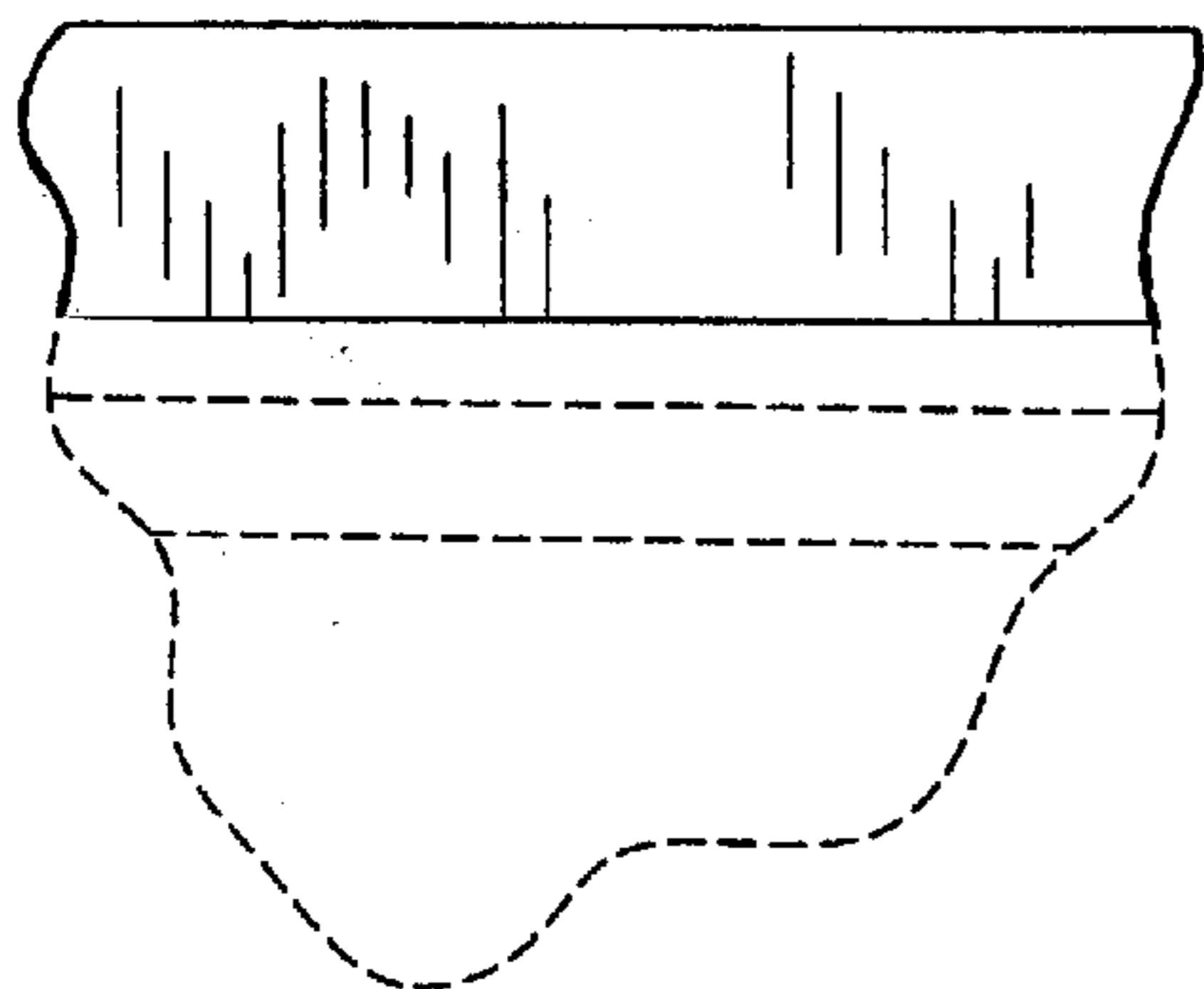


FIG. 3

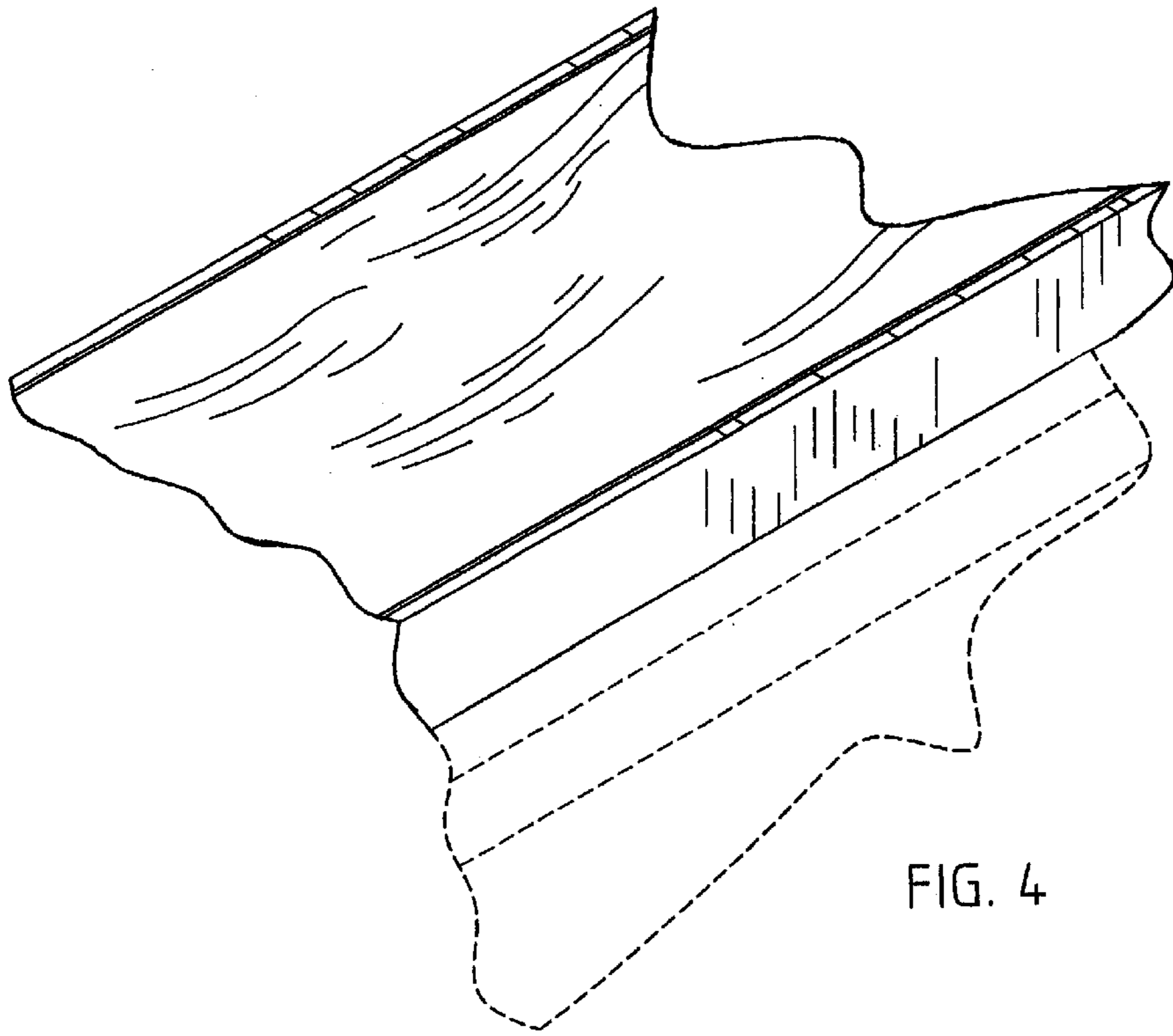


FIG. 4

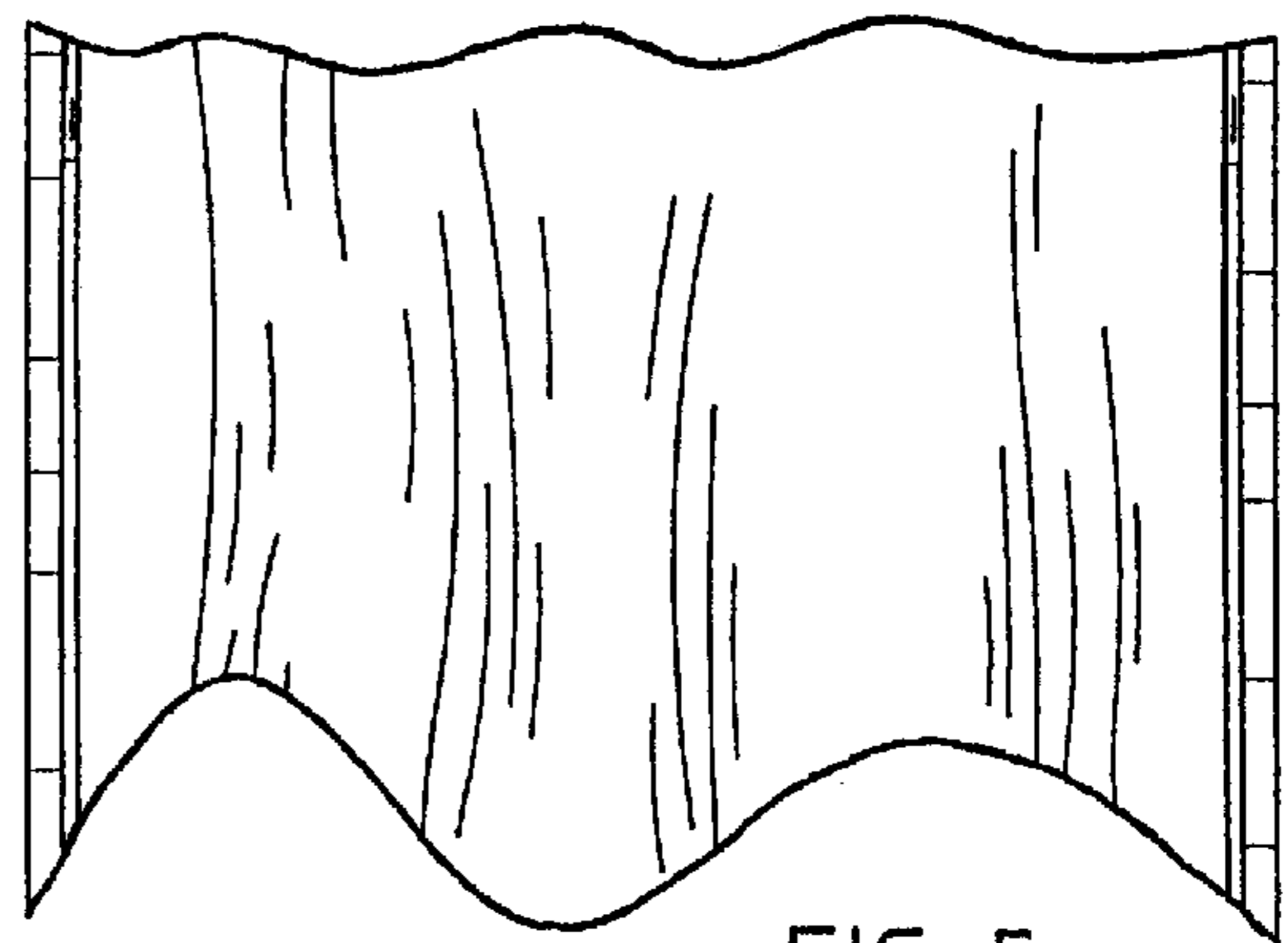


FIG. 5

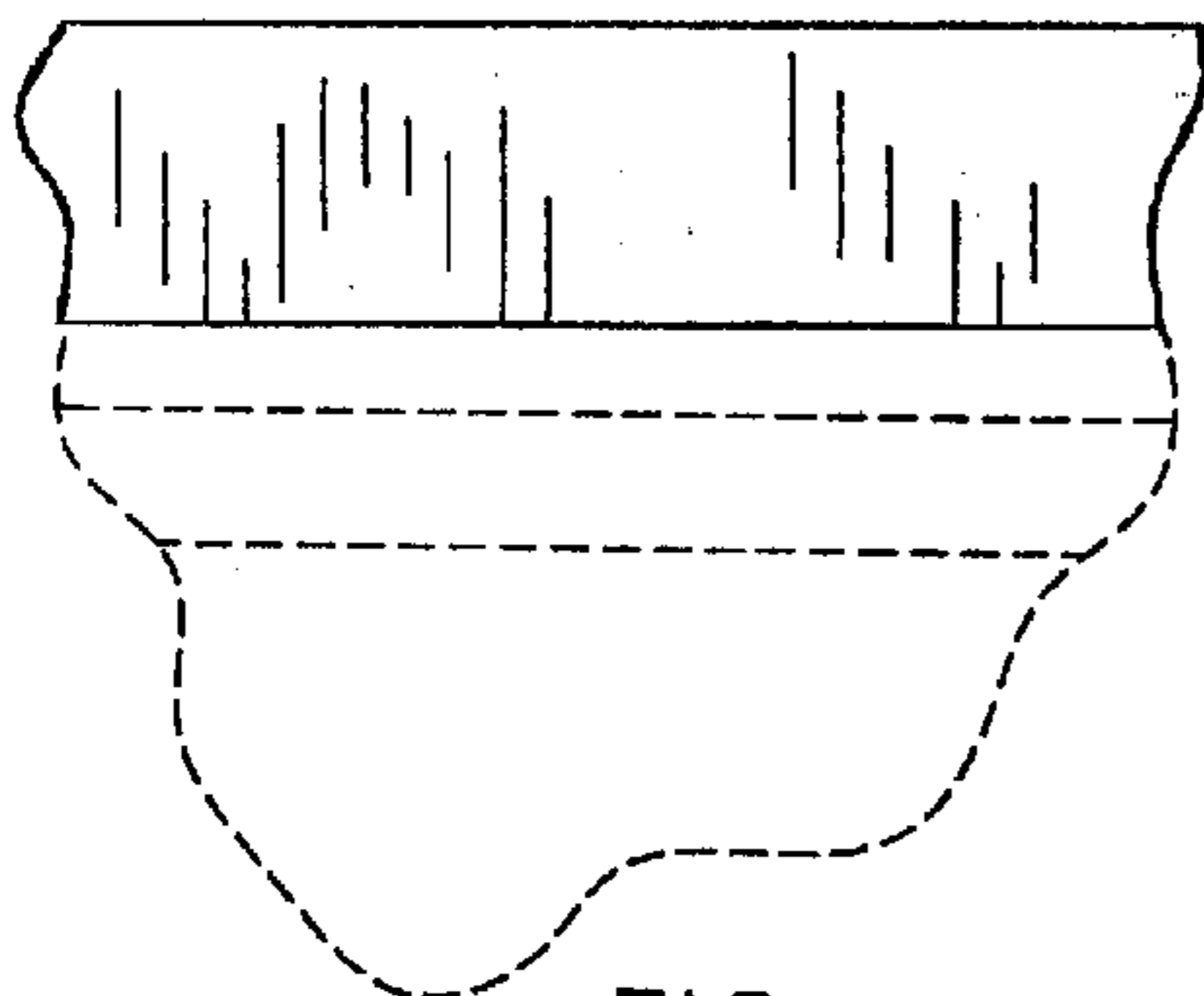


FIG. 6