



US00D480157S

(12) **United States Design Patent**
Benteftifa et al.

(10) **Patent No.:** **US D480,157 S**

(45) **Date of Patent:** **** Sep. 30, 2003**

(54) **DECK SLAT**

(75) Inventors: **Chawki A. Benteftifa**, Carlstadt, NJ (US); **Charles Becht, IV**, Morristown, NJ (US); **Francisco Javier Camargo Salinas**, Cd. del Carmen (MX)

(73) Assignee: **Becht Engineering Company, Inc.**, Liberty Corner, NJ (US)

(**) Term: **14 Years**

(21) Appl. No.: **29/161,610**

(22) Filed: **May 30, 2002**

5,033,147 A	7/1991	Svensson
5,351,915 A	10/1994	Aandalen
D358,671 S	5/1995	Hallsten
5,647,184 A	7/1997	Davis
5,819,491 A	10/1998	Davis
5,836,128 A	11/1998	Groh et al.
6,035,588 A	3/2000	Zehner et al.

Primary Examiner—Doris Clark

(74) *Attorney, Agent, or Firm*—Cummings & Lockwood LLC

(57) **CLAIM**

The ornamental design for deck slat, as shown and described.

Related U.S. Application Data

(62) Division of application No. 29/136,461, filed on Jan. 31, 2001, now Pat. No. Des. 459,491.

(51) **LOC (7) Cl.** **25-01**

(52) **U.S. Cl.** **D25/125**

(58) **Field of Search** 52/98, 314, 573.1, 52/592.1, 650.3, 745.05, 775, 177; D25/138, 125; 403/41, 28; 114/266; 14/73; 405/4, 196, 218, 219

(56) **References Cited**

U.S. PATENT DOCUMENTS

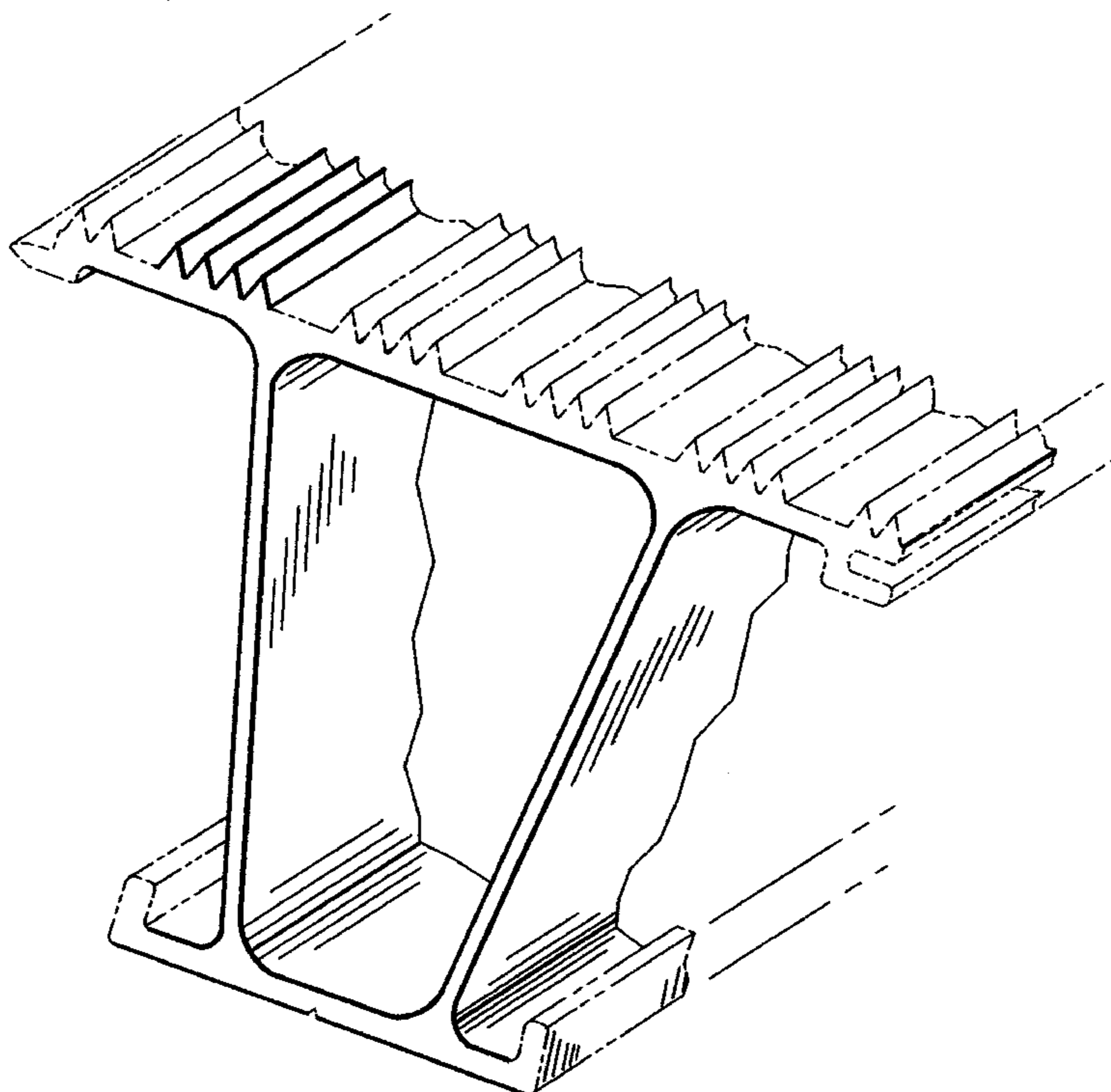
2,742,121 A	4/1956	Liskey, Jr.
3,046,852 A	7/1962	Graham
3,172,508 A	3/1965	Doering et al.
4,789,116 A	12/1988	Eftestol

DESCRIPTION

The FIGURE is a perspective view of a deck slat showing our new design.

The broken lines shown in the drawings are for illustrative purposes only and form no part of the claimed design. Additional views have not been provided as the ornamental features are fully disclosed in perspective. The illustrated embodiments of the design are not limited to the exact details shown in the drawings, since equivalents and colorable imitations thereof will be evident to a person of ordinary skill in the art. Thus, within the scope of the appended claim, which is intended to cover only the ornamental and novel elements shown in the drawings, the invention may be practiced otherwise than as specifically shown and described herein.

1 Claim, 1 Drawing Sheet



The Figure

