



US00D480150S

(12) **United States Design Patent**
Castillejo

(10) **Patent No.:** **US D480,150 S**

(45) **Date of Patent:** **** Sep. 30, 2003**

(54) **MOVABLE CAFETERIA**

(75) **Inventor:** **Jose Mirabet Castillejo, Barcelona (ES)**

(73) **Assignee:** **La Tazza Meeting Point, S.L., Barcelona (ES)**

(**) **Term:** **14 Years**

(21) **Appl. No.:** **29/141,984**

(22) **Filed:** **May 17, 2001**

(30) **Foreign Application Priority Data**

Nov. 17, 2000 (ES) 149895

(51) **LOC (7) Cl.** **25-03**

(52) **U.S. Cl.** **D25/7**

(58) **Field of Search** **D25/7; 52/36.1**

(56) **References Cited**

U.S. PATENT DOCUMENTS

- D121,107 S * 6/1940 Terrie D25/10
- D209,133 S * 11/1967 Sorenson D25/7
- D237,379 S * 10/1975 Bondurant D25/7
- D246,192 S * 10/1977 Albright, Jr. D25/9
- D359,129 S * 6/1995 Sampson D25/10

- D391,374 S * 2/1998 Stafford D25/7
- D419,686 S * 1/2000 Sikorski D25/7

* cited by examiner

Primary Examiner—Stella Reid

(74) *Attorney, Agent, or Firm*—Young & Thompson

(57) **CLAIM**

The ornamental design for a movable cafeteria, as shown and described.

DESCRIPTION

FIG. 1 is a perspective view of a movable cafeteria showing my new design;

FIG. 2 is a view similar to FIG. 1 but rotated about a vertical axis;

FIG. 3 is a view similar to FIG. 1 and 2, but further rotated about a vertical axis;

FIG. 4 is a bottom perspective view thereof;

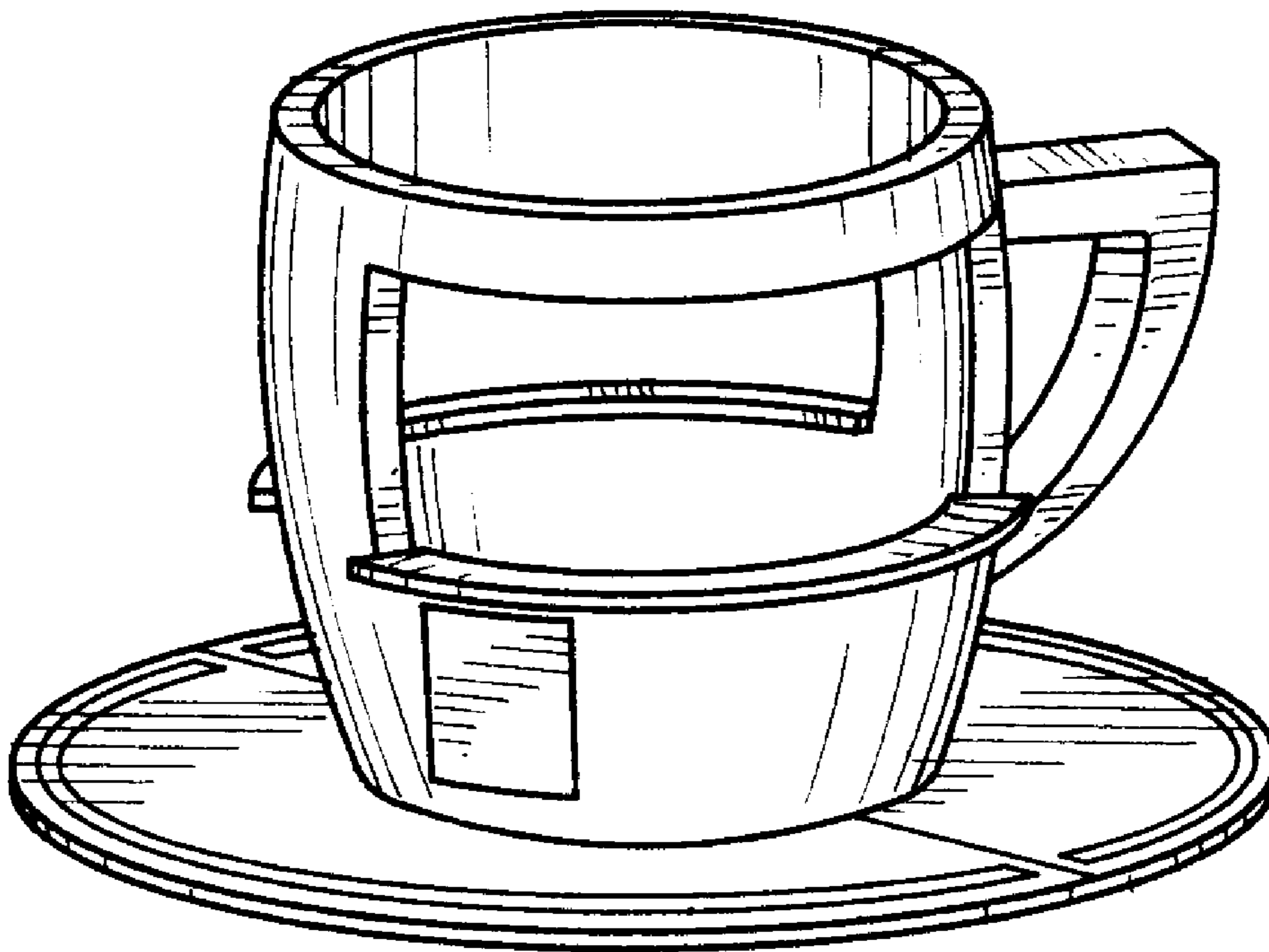
FIG. 5 is a side elevational view thereof;

FIG. 6 is a view similar to FIG. 5 but rotated 90° about a vertical axis in one direction;

FIG. 7 is a view similar to FIG. 5 but rotated 90° in the opposite direction from FIG. 6; and,

FIG. 8 is a top plan view thereof.

1 Claim, 2 Drawing Sheets



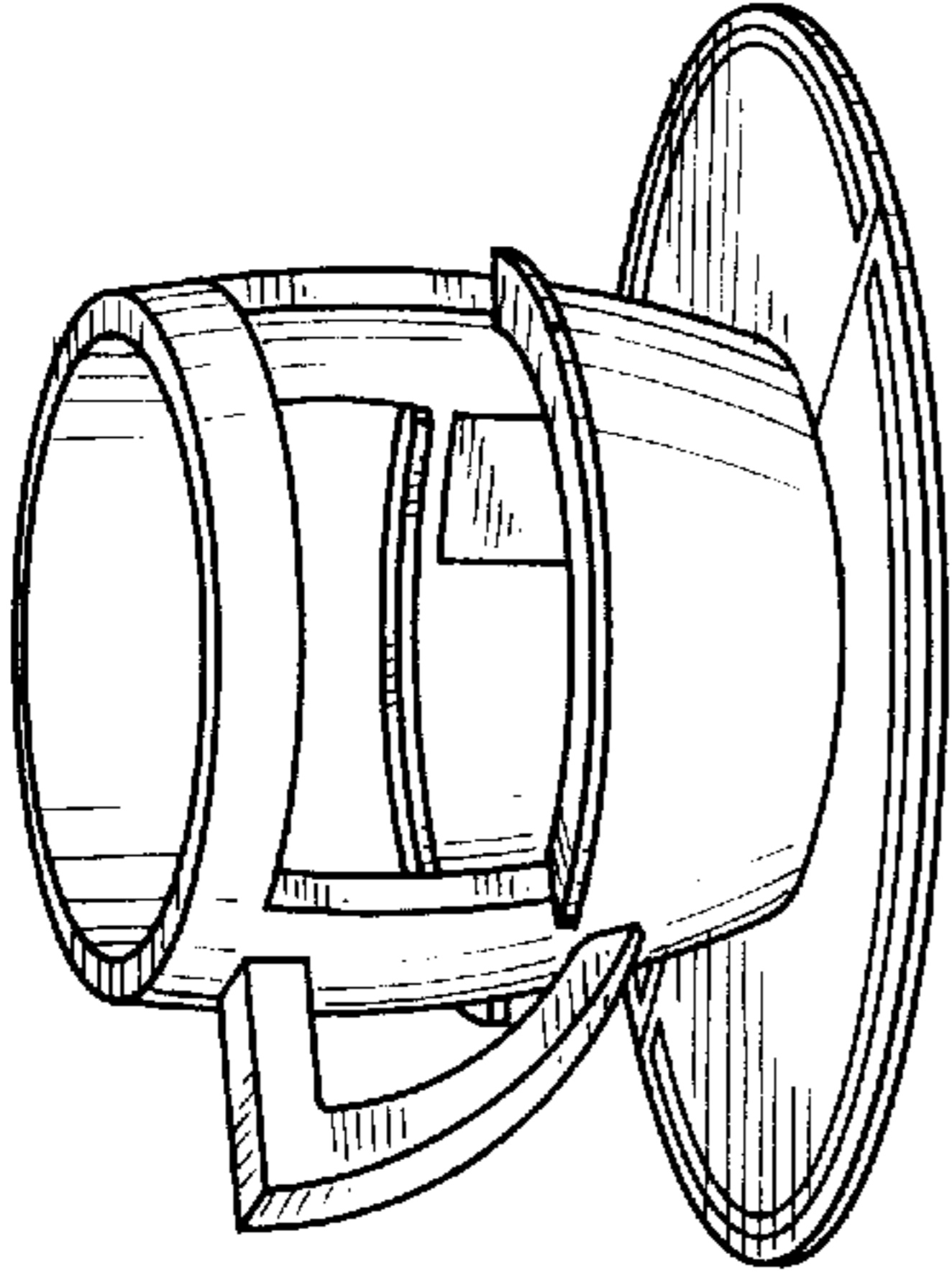


FIG. 3

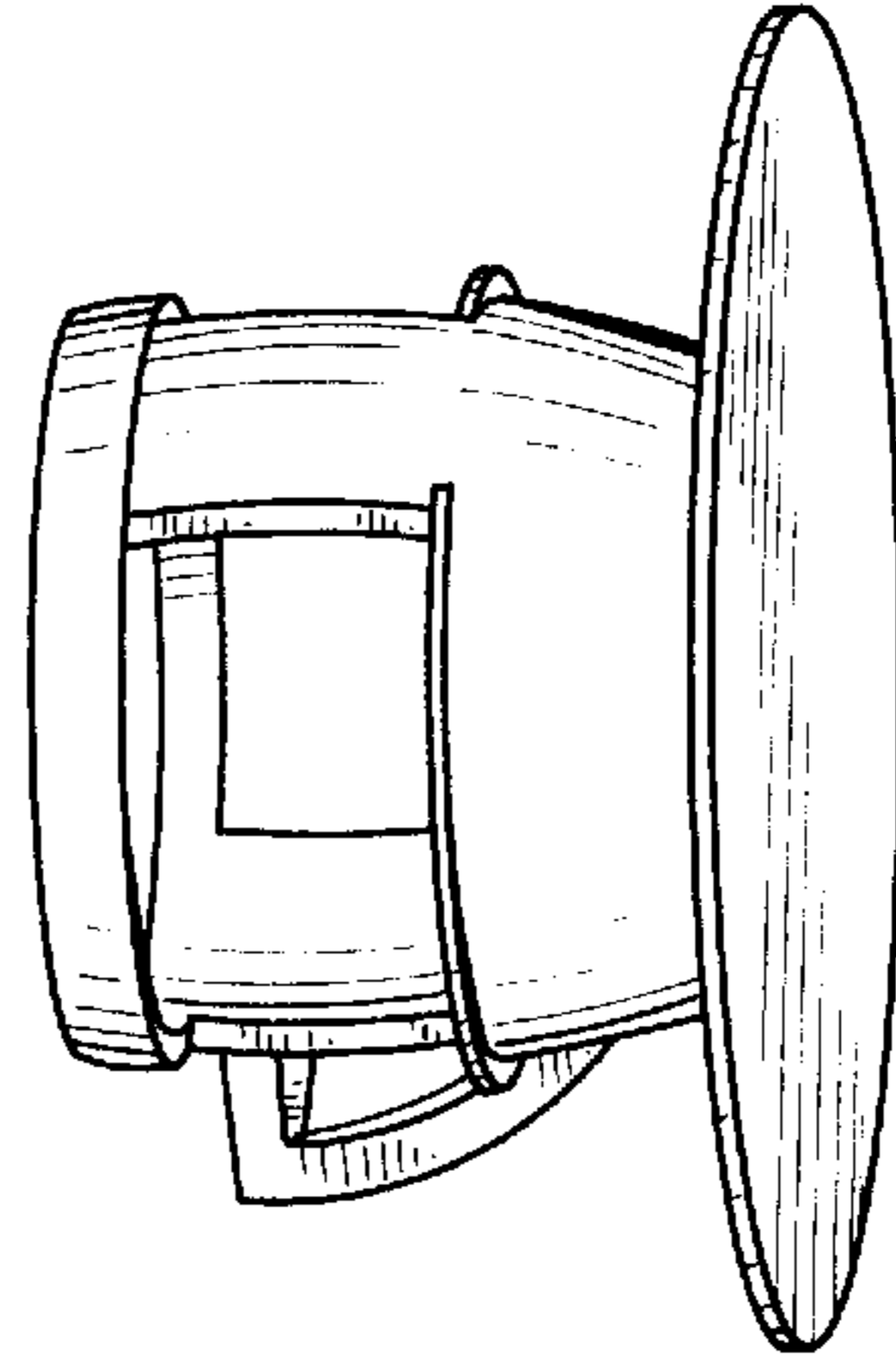


FIG. 4

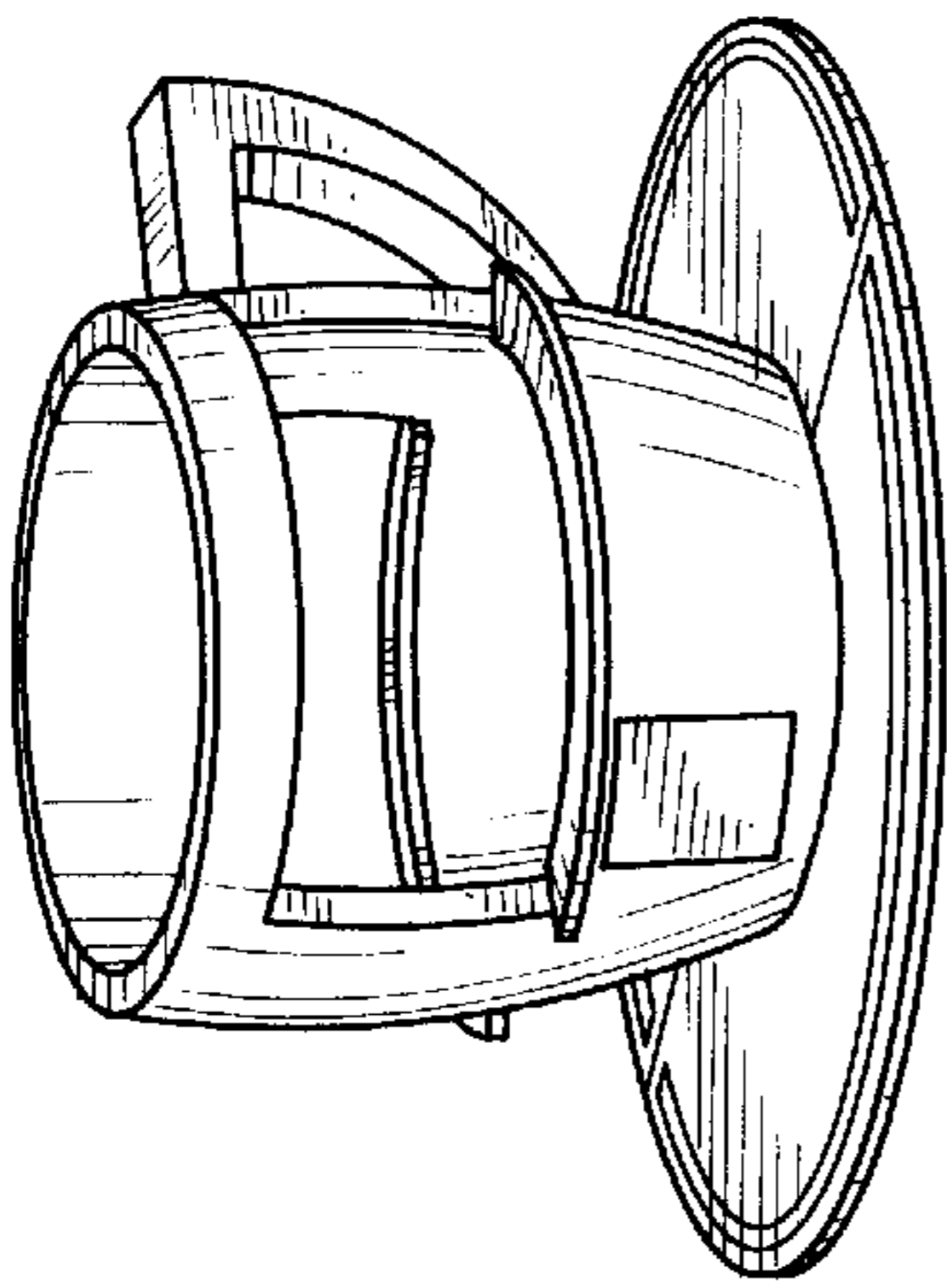


FIG. 1

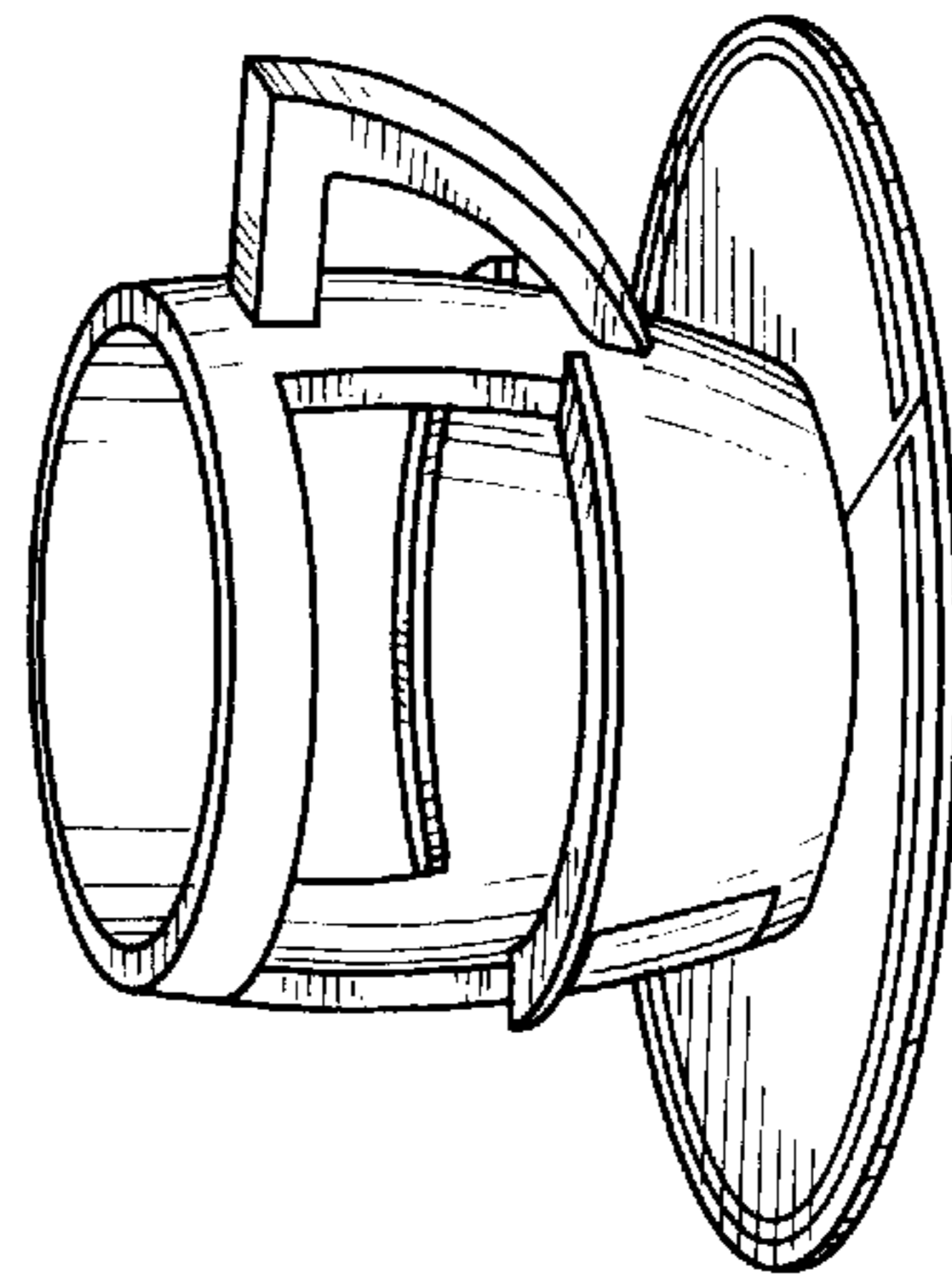


FIG. 2

FIG. 8

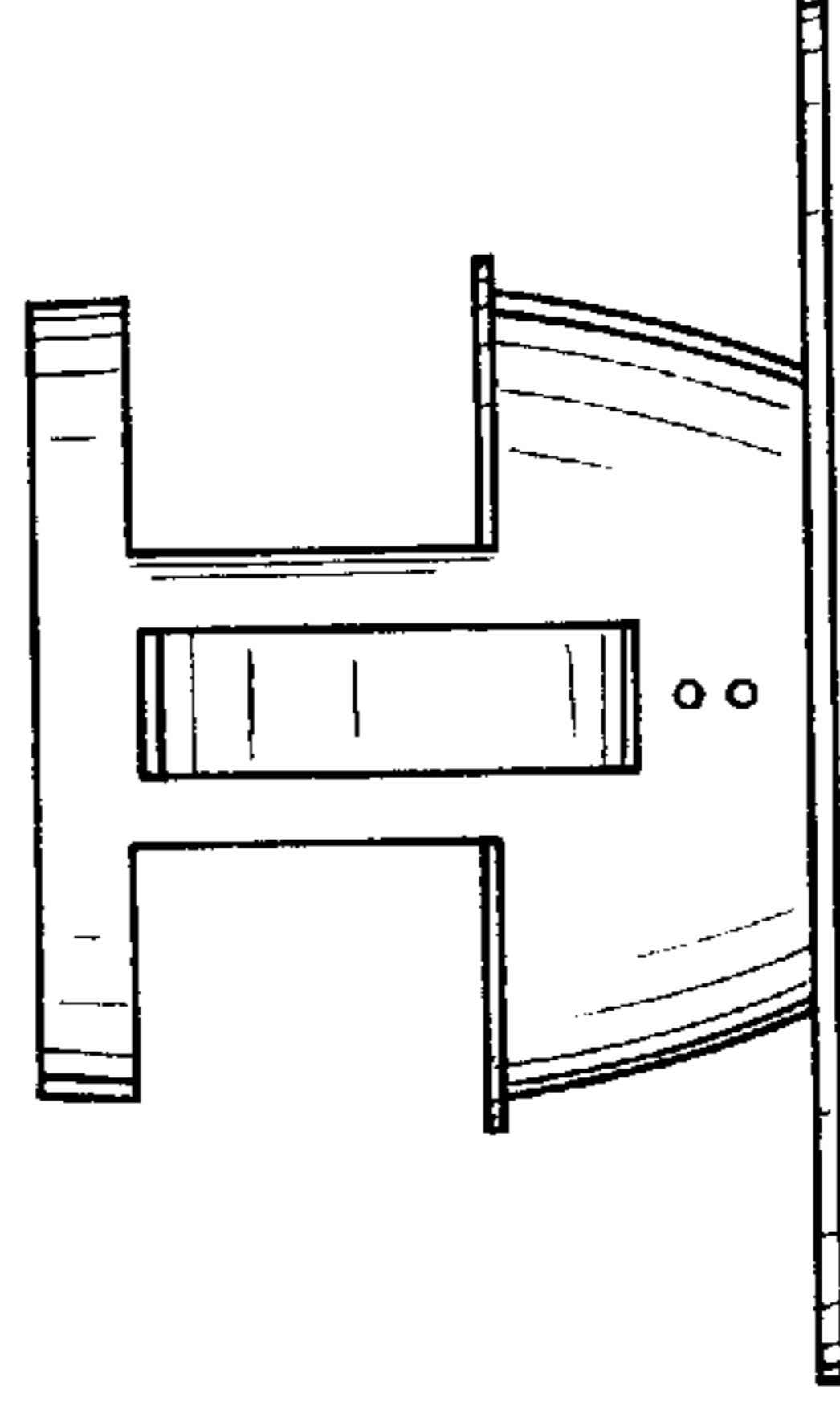
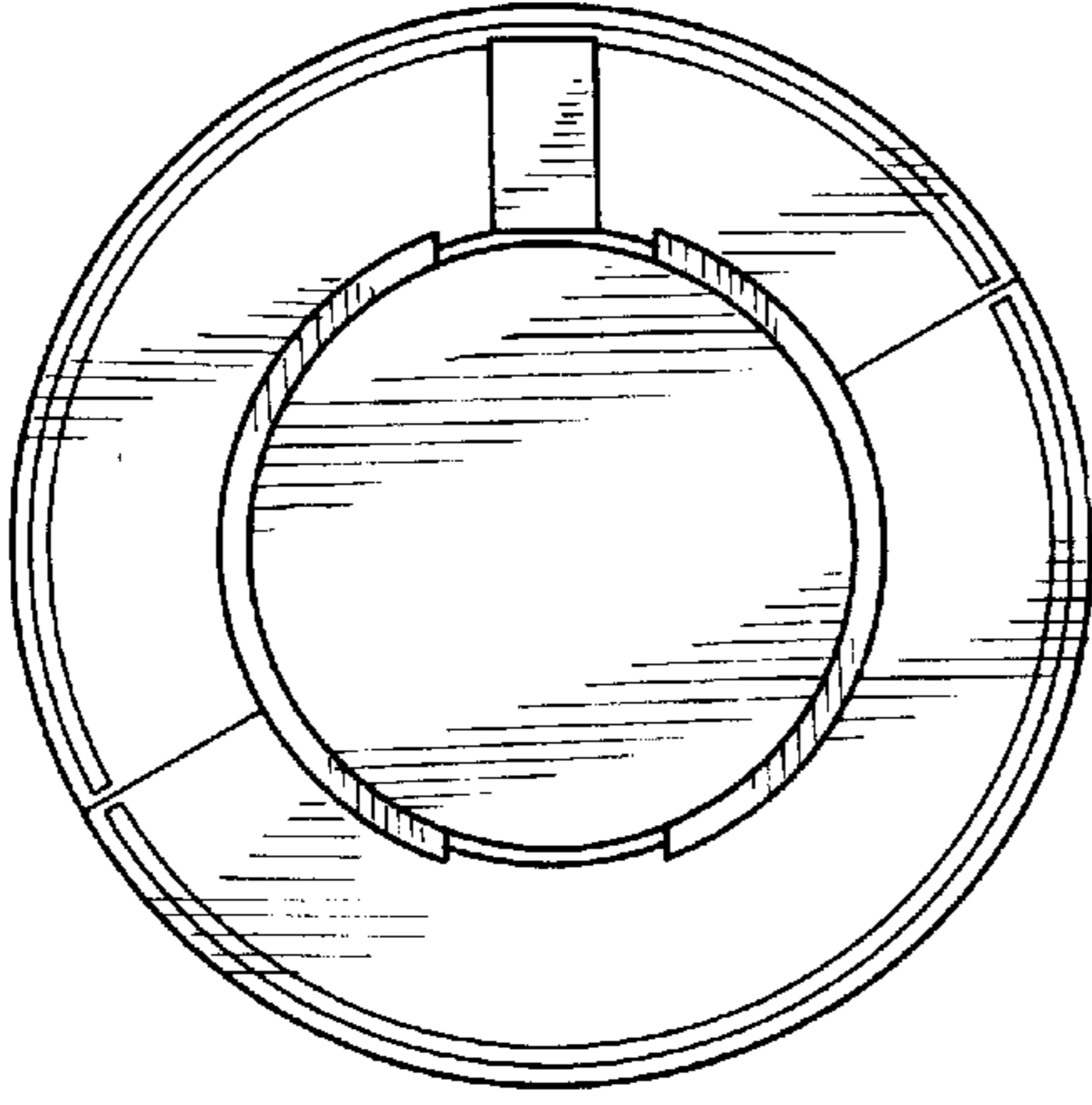


FIG. 7

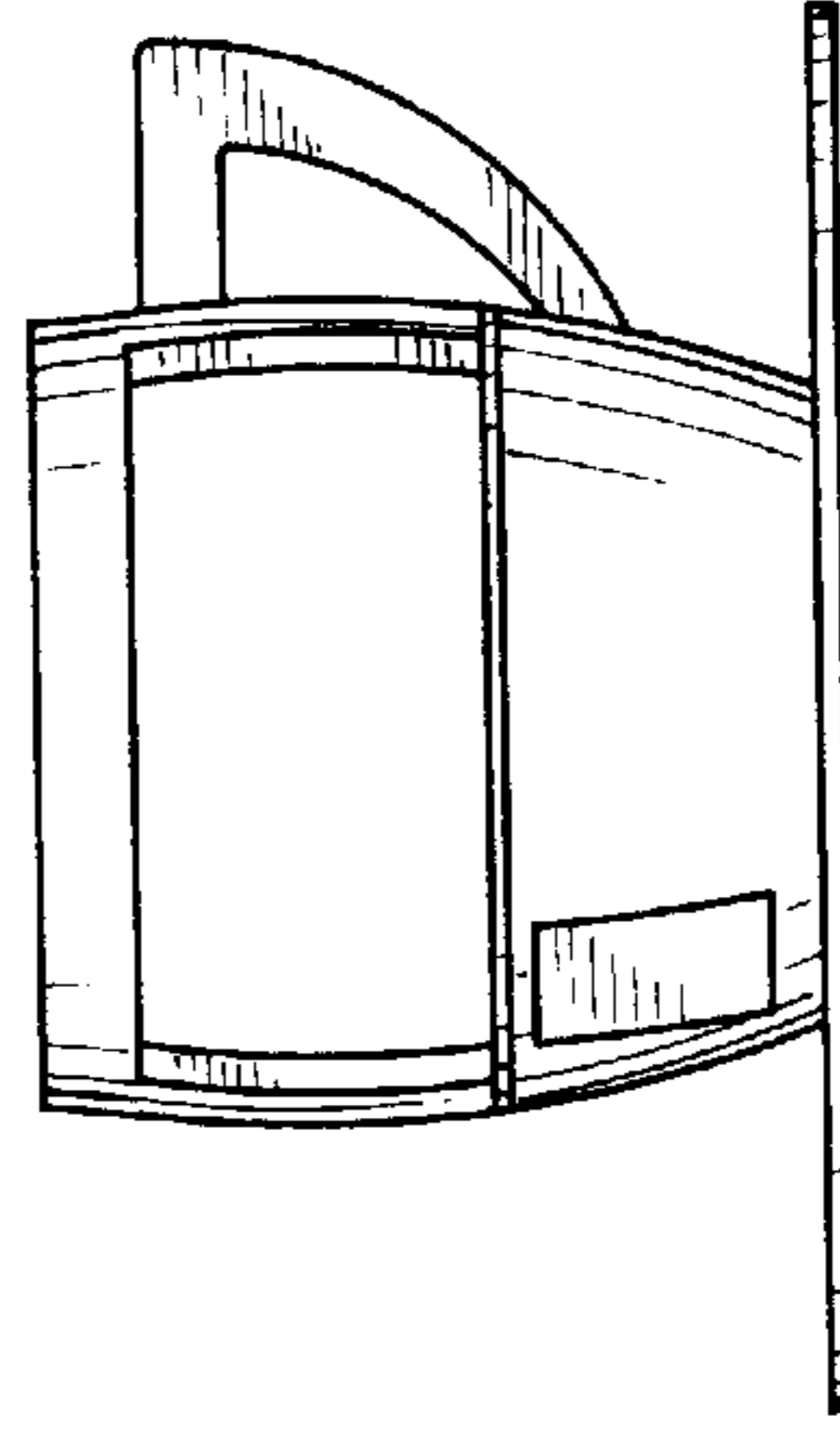


FIG. 5

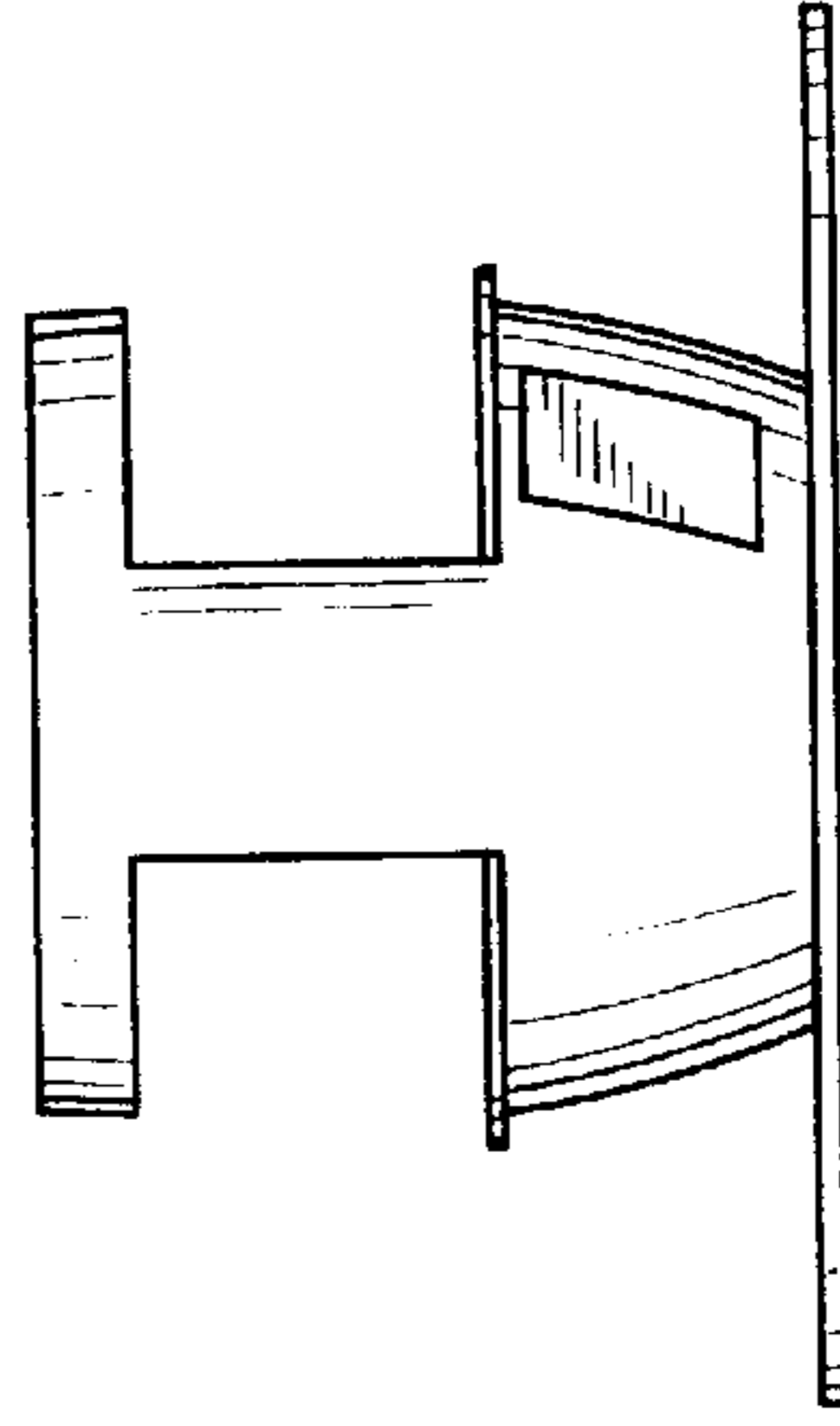


FIG. 6