



US00D480149S

(12) **United States Design Patent**
Dawson et al.

(10) **Patent No.:** **US D480,149 S**

(45) **Date of Patent:** **** Sep. 30, 2003**

(54) **COVER FOR A MEASURING CASSETTE FOR BIOSENSOR APPARATUS**

Primary Examiner—Ian Simmons
(74) *Attorney, Agent, or Firm*—Seed IP Law Group PLLC

(75) Inventors: **Stefan Dawson**, Uppsala (SE); **Stefan Sjölander**, Uppsala (SE)

(57) **CLAIM**

The ornamental design for a cover for a measuring cassette for biosensor apparatus, as shown and described.

(73) Assignee: **Biacore AB**, Uppsala (SE)

(**) Term: **14 Years**

DESCRIPTION

(21) Appl. No.: **29/150,461**

FIG. 1 is a top isometric view of a cover for a measuring cassette for biosensor apparatus showing our new design, with the chip carrier shown projection therefrom;

(22) Filed: **Nov. 15, 2001**

FIG. 2 is a bottom isometric view thereof;

(30) **Foreign Application Priority Data**

May 16, 2001 (SE) 01-0869

FIG. 3 is a top isometric view thereof, with the chip carrier shown within the cover;

(51) **LOC (7) Cl.** **24-02**

FIG. 4 is a bottom isometric view thereof;

(52) **U.S. Cl.** **D24/224; D24/216**

FIG. 5 is a top isometric view thereof;

(58) **Field of Search** D24/216, 224, D24/225, 227, 232, 231; D10/81; 206/569, 370, 362, 459.1; 422/58, 61, 56, 102; 204/403.1, 1, 403.2, 403.3, 409, 193

FIG. 6 is a bottom isometric view thereof;

FIG. 7 is an end view thereof;

FIG. 8 is a top plan view thereof;

FIG. 9 is a side view thereof;

(56) **References Cited**

U.S. PATENT DOCUMENTS

D331,806 S	12/1992	Södergren	D24/224
D331,807 S	12/1992	Södergren	D24/224
5,887,716 A *	3/1999	Williams et al.	206/459.1
6,357,583 B1 *	3/2002	Rainen	206/205
D457,248 S *	5/2002	Hahs et al.	D24/225

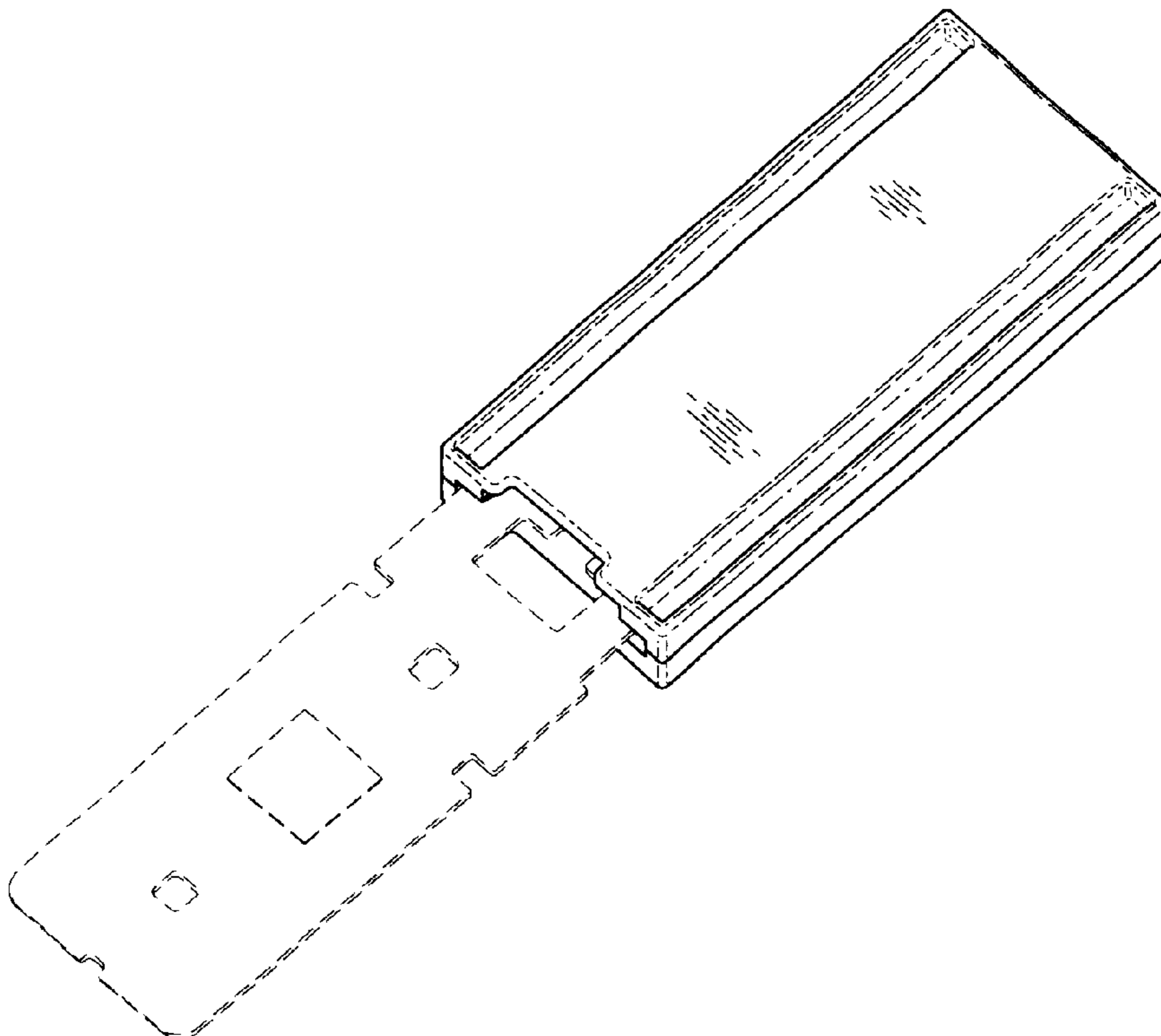
FIG. 10 is a bottom plan view thereof; and,

FIG. 11 is an end view thereof, opposite that shown in FIG. 7.

The broken line showing of the chip carrier is for illustrative purposes only and forms no part of the claimed design.

* cited by examiner

1 Claim, 4 Drawing Sheets



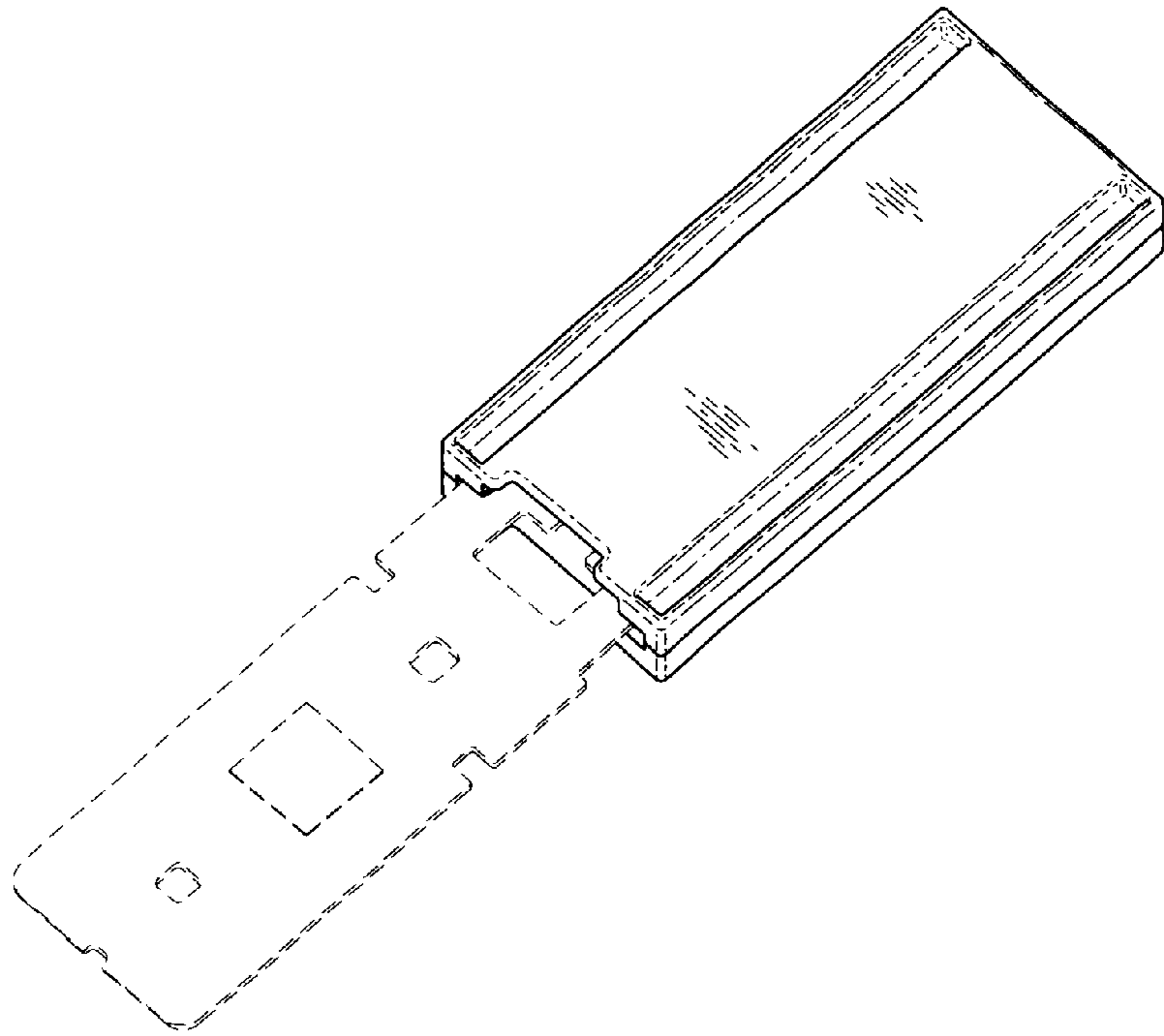


Fig. 1

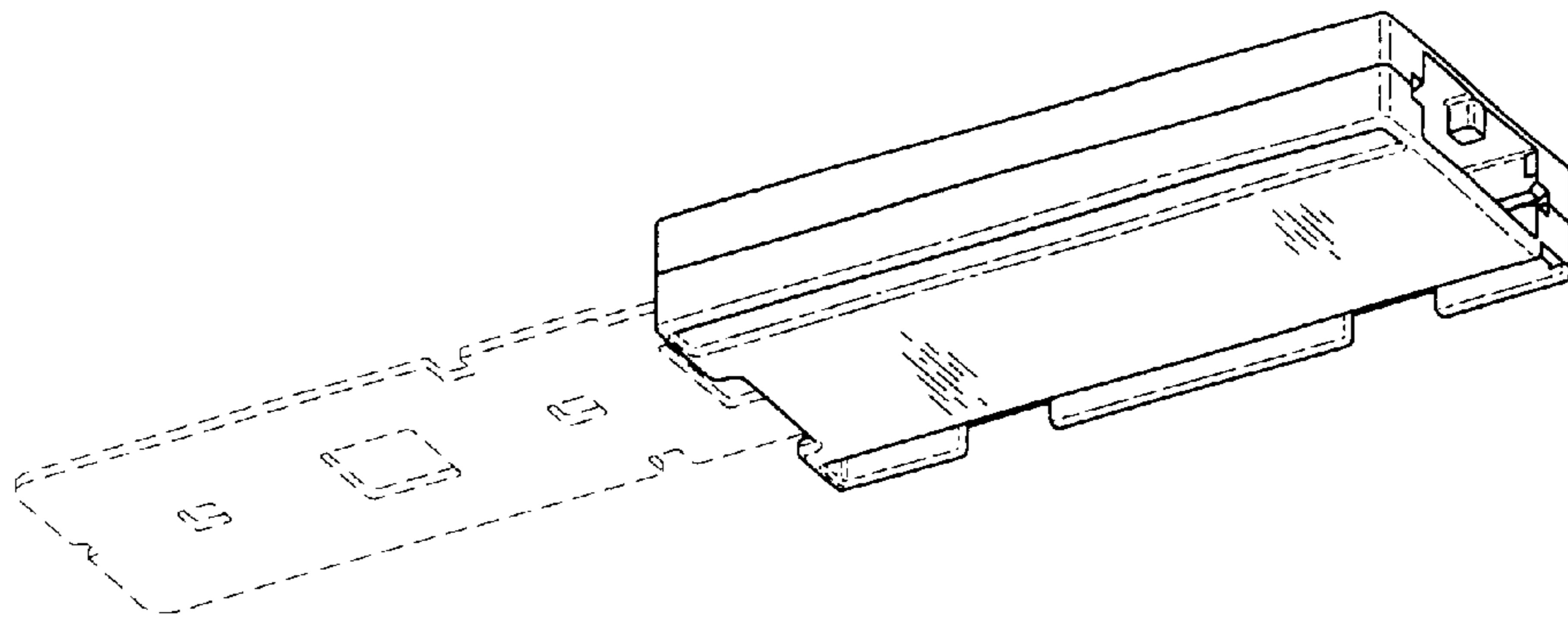


Fig. 2

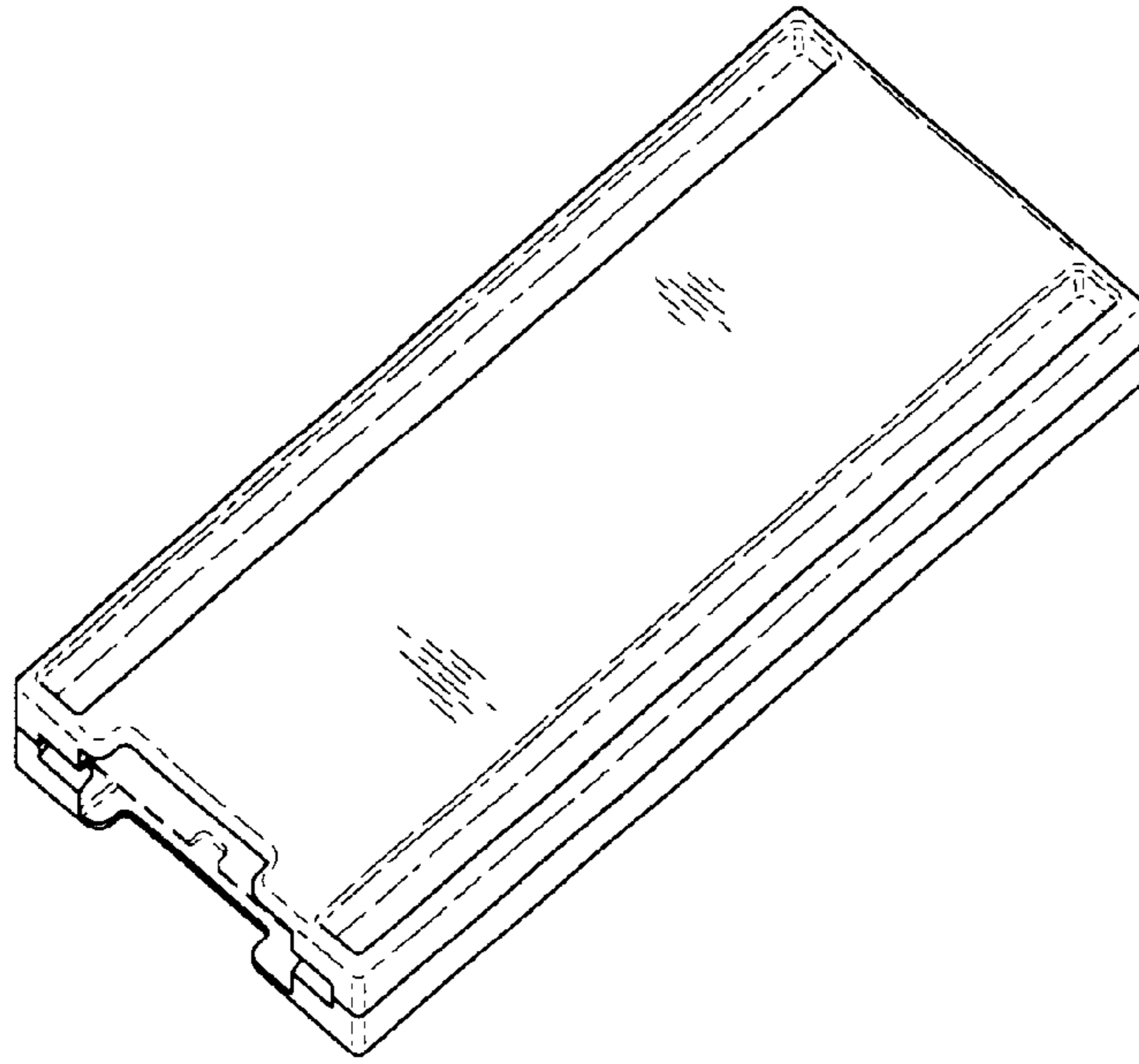


Fig. 3

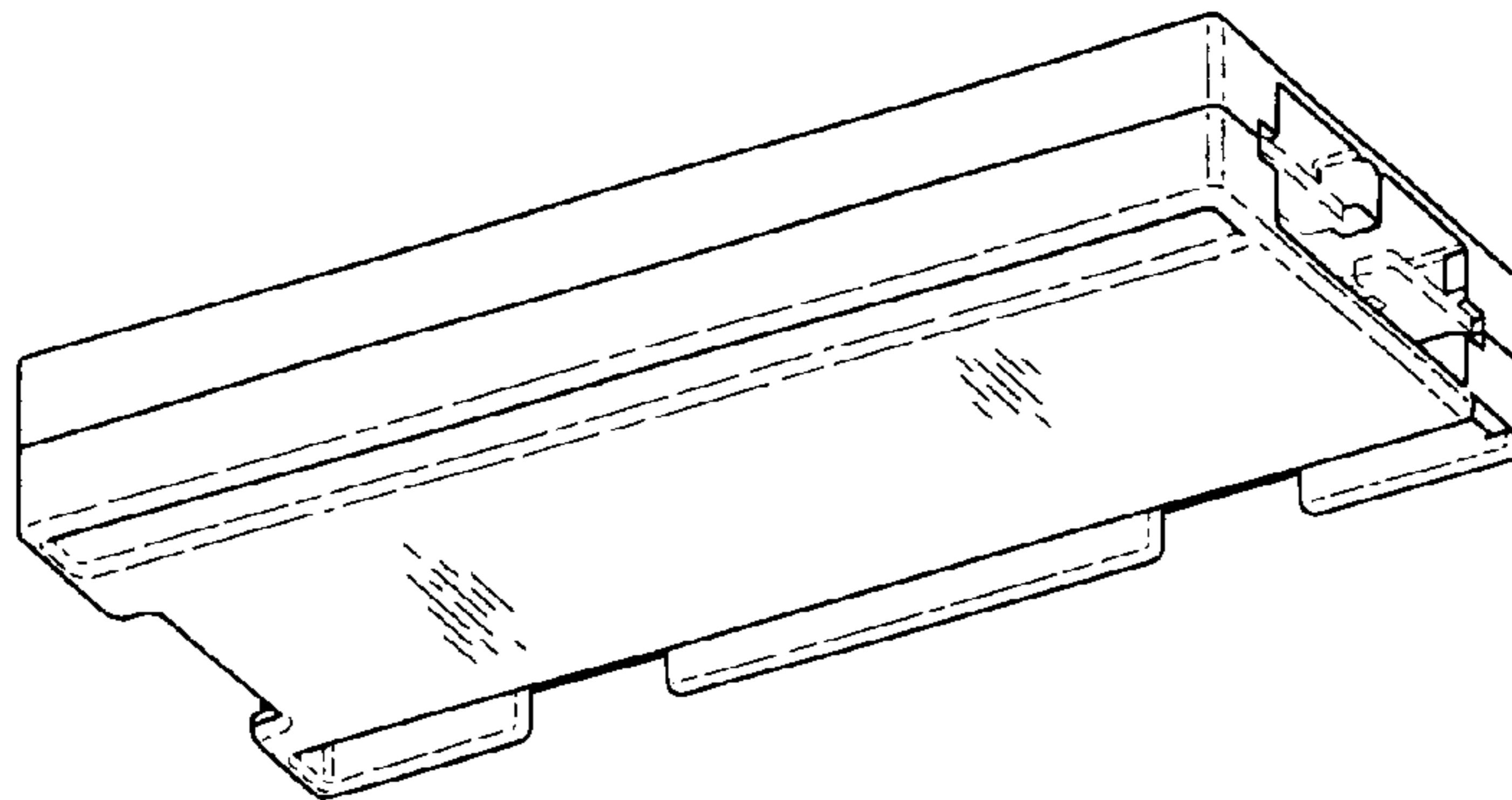


Fig. 4

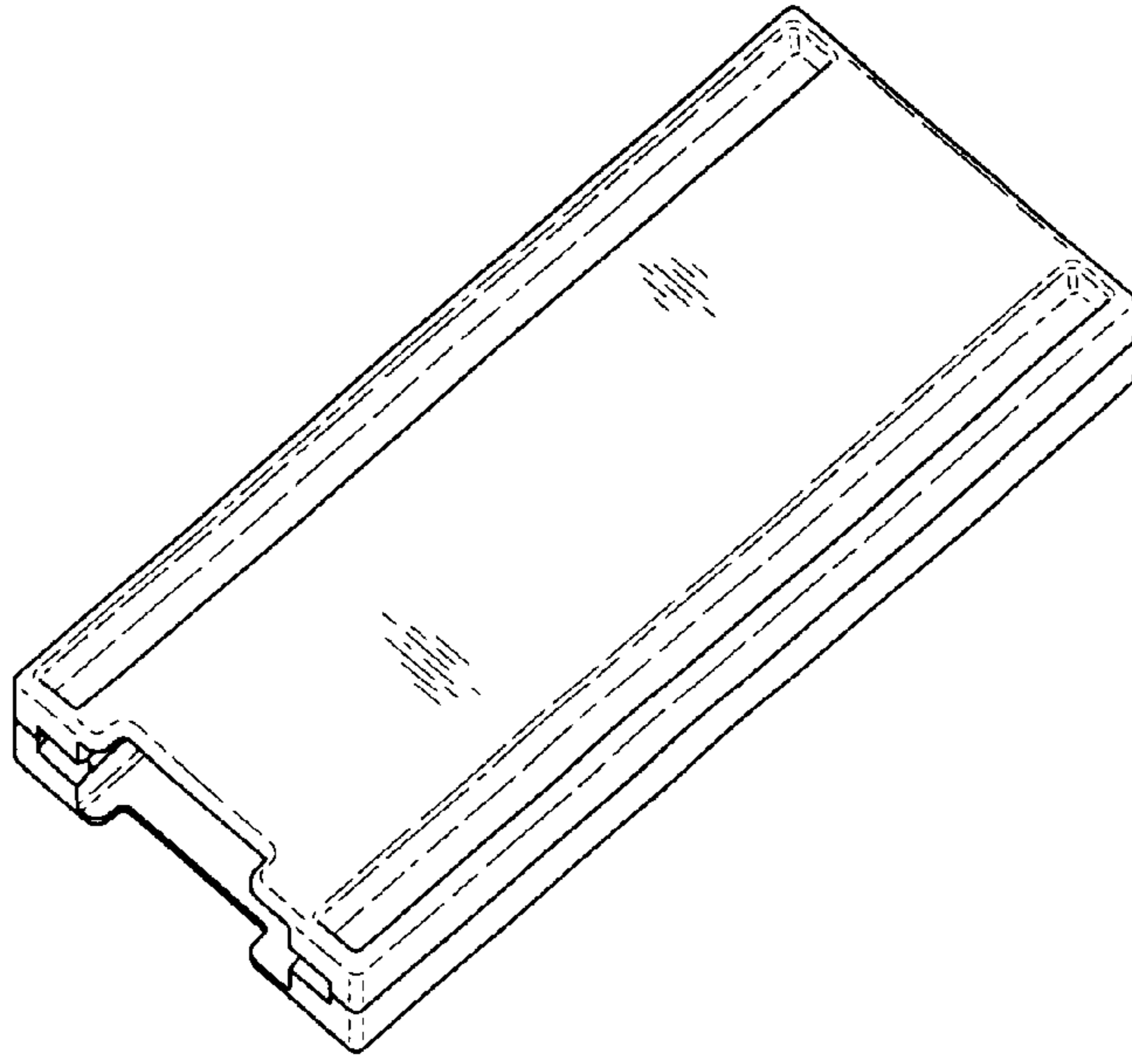


Fig. 5

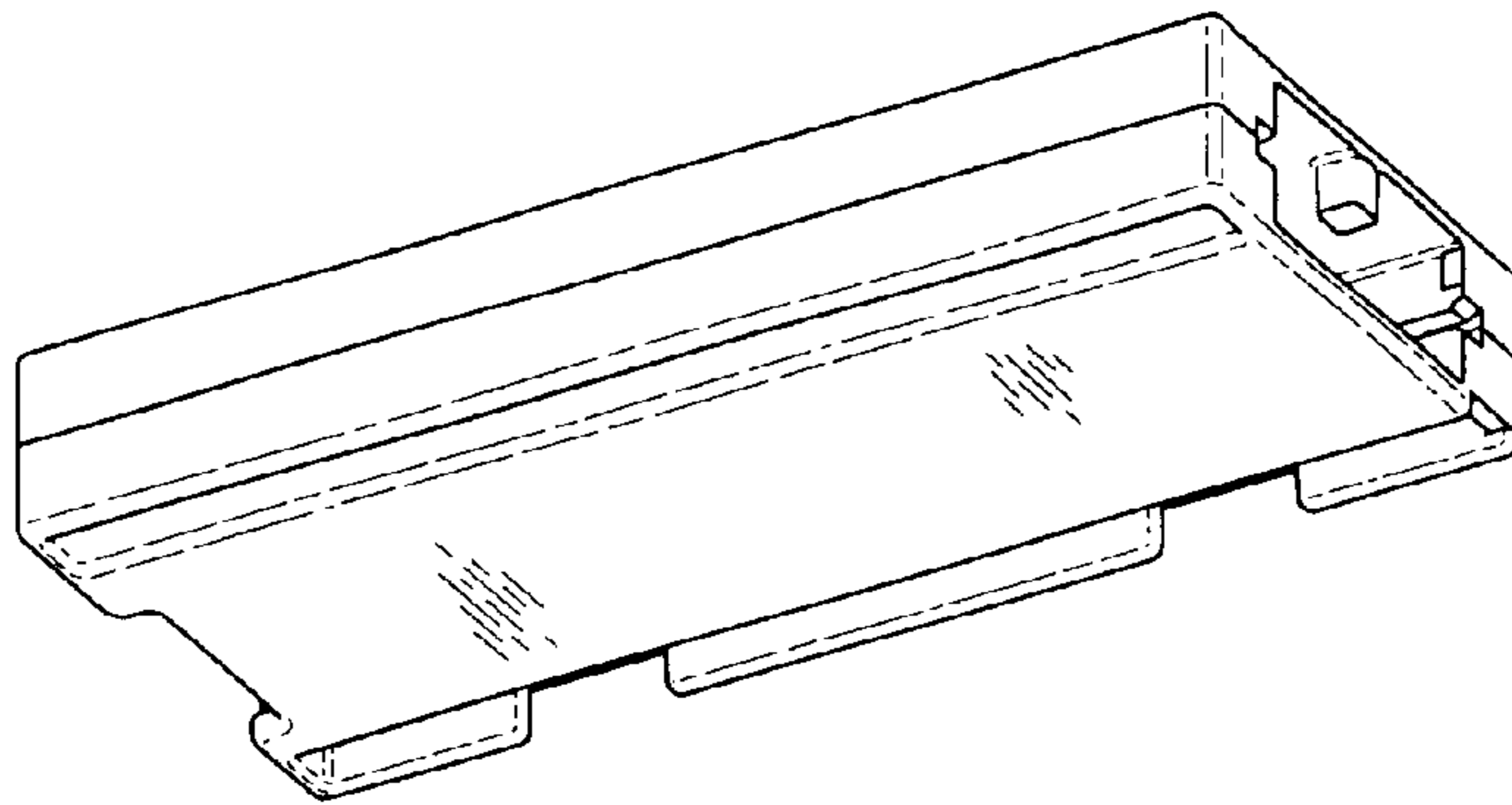


Fig. 6

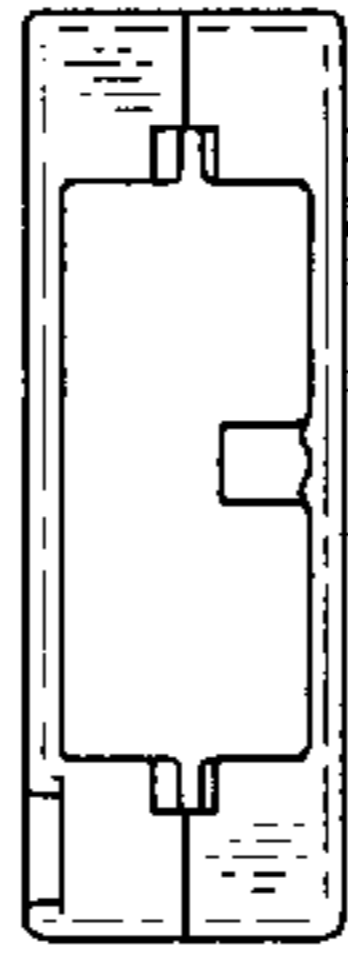


Fig. 7

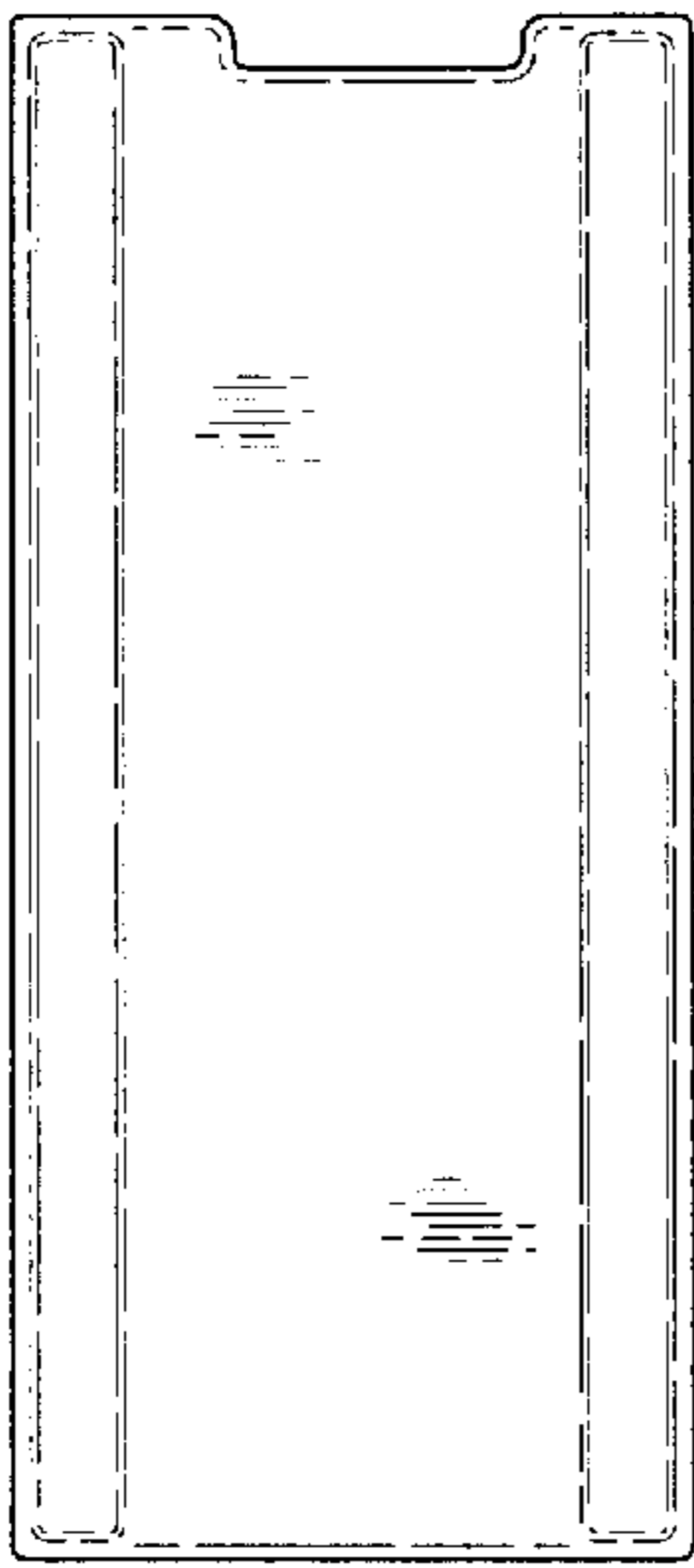


Fig. 8

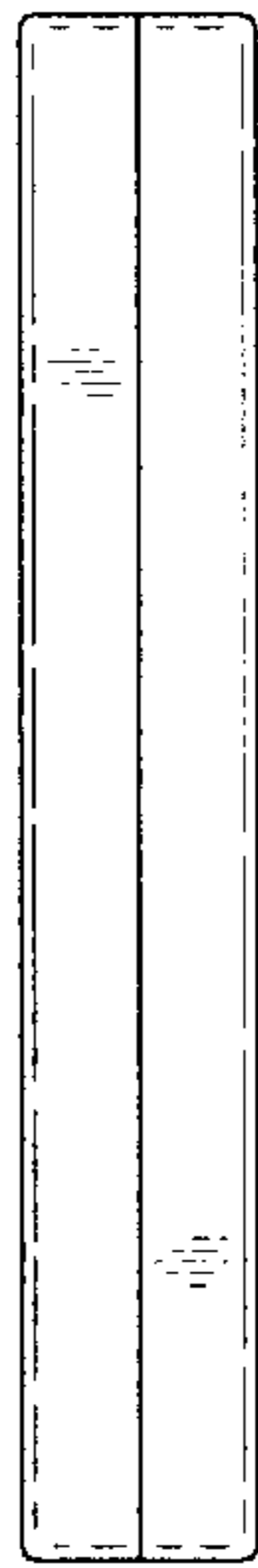


Fig. 9

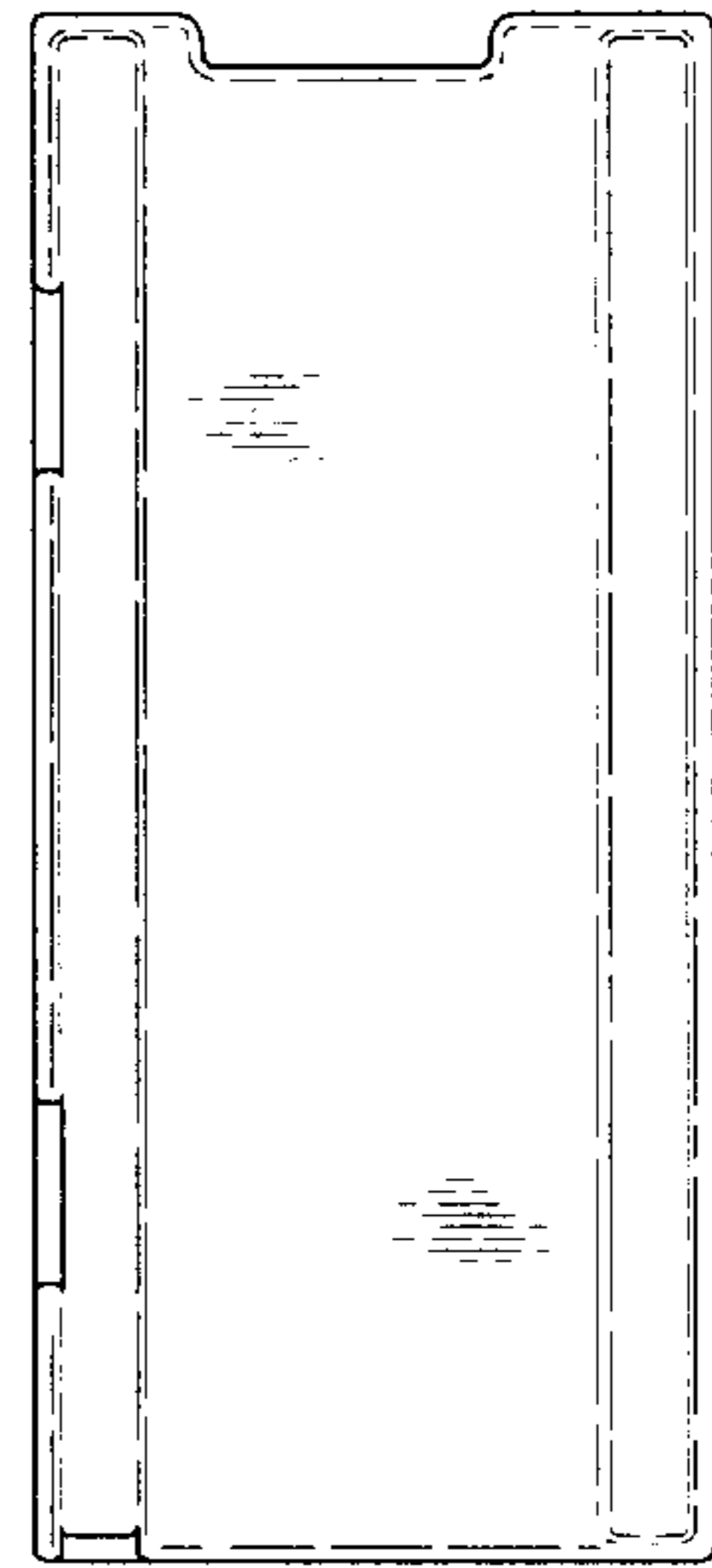


Fig. 10

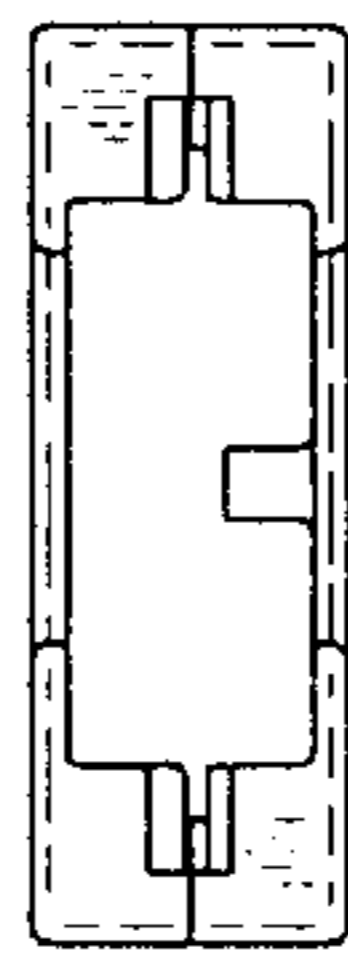


Fig. 11