



US00D480147S

(12) **United States Design Patent**
Sanbrook et al.

(10) **Patent No.:** **US D480,147 S**

(45) **Date of Patent:** **** Sep. 30, 2003**

(54) **PACIFIER**

(75) Inventors: **Peter Newton Sanbrook**, Ringwood (AU); **Barbara Lerpiniere**, Ringwood (AU); **Rod Anthony Wiebenga**, Doncaster (AU)

(73) Assignee: **Bellett Leasing Pty Ltd** (AU)

(**) Term: **14 Years**

(21) Appl. No.: **29/165,233**

(22) Filed: **Aug. 7, 2002**

(30) **Foreign Application Priority Data**

Feb. 7, 2002 (AU) 325/2002

(51) **LOC (7) Cl.** **24-04**

(52) **U.S. Cl.** **D24/194; D24/193**

(58) **Field of Search** **D24/193, 194; 606/234, 235, 236**

(56) **References Cited**

U.S. PATENT DOCUMENTS

516,561 A * 3/1894 Bosch 606/235

5,334,218 A * 8/1994 Johnson 606/235
D363,127 S * 10/1995 Nakata et al. D24/194
D390,962 S * 2/1998 Hohl D24/194
D420,447 S * 2/2000 Rohrig D24/194

* cited by examiner

Primary Examiner—Stella Reid

(74) *Attorney, Agent, or Firm*—SAIDMAN DesignLaw Group

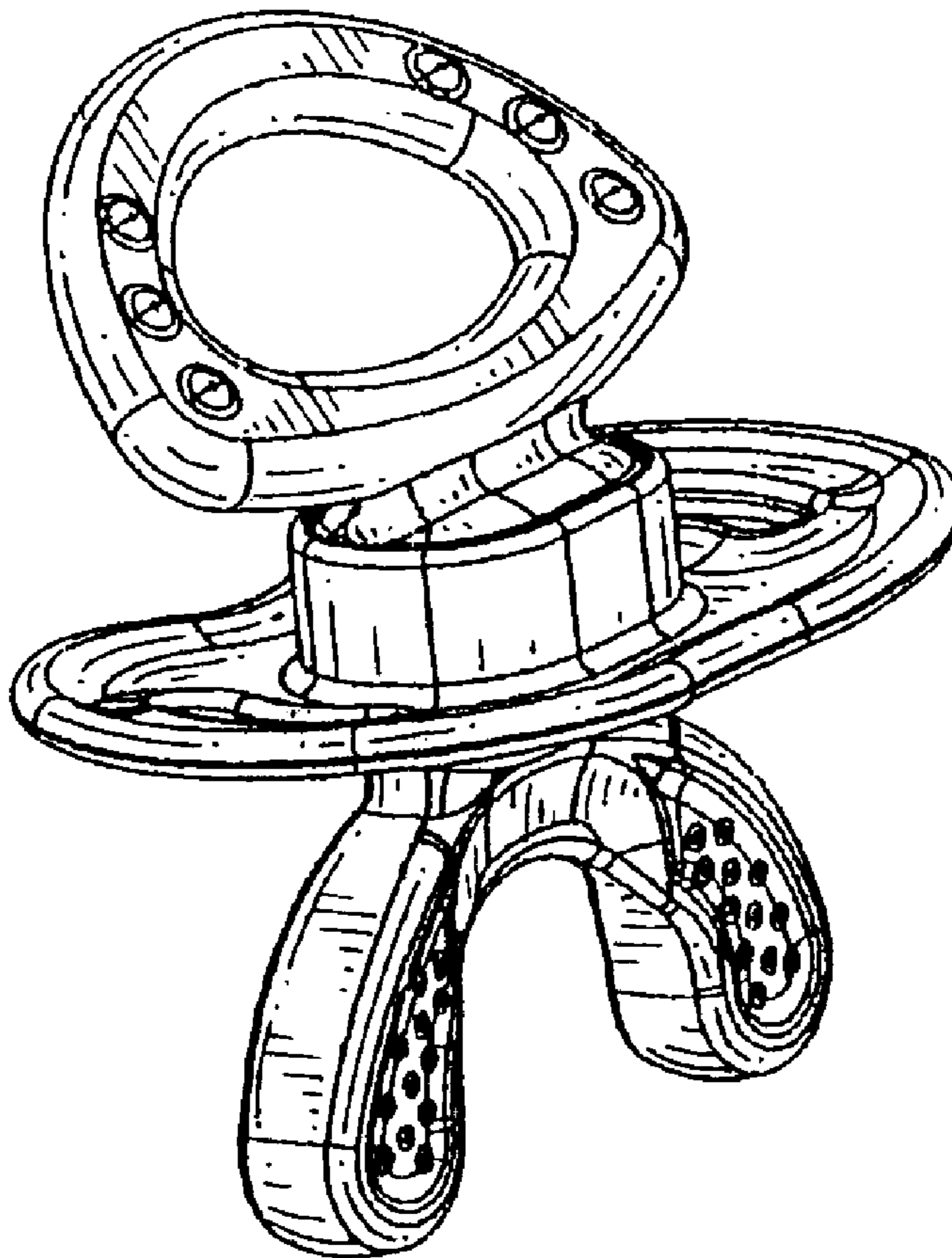
(57) **CLAIM**

The ornamental design for a pacifier, as shown and described.

DESCRIPTION

FIG. 1 is a rear perspective view of a pacifier, showing our new design;
FIG. 2 is a top plan view thereof;
FIG. 3 is a side thereof;
FIG. 4 is a rear view thereof;
FIG. 5 is a front view thereof; and,
FIG. 6 is another perspective view thereof.

1 Claim, 2 Drawing Sheets



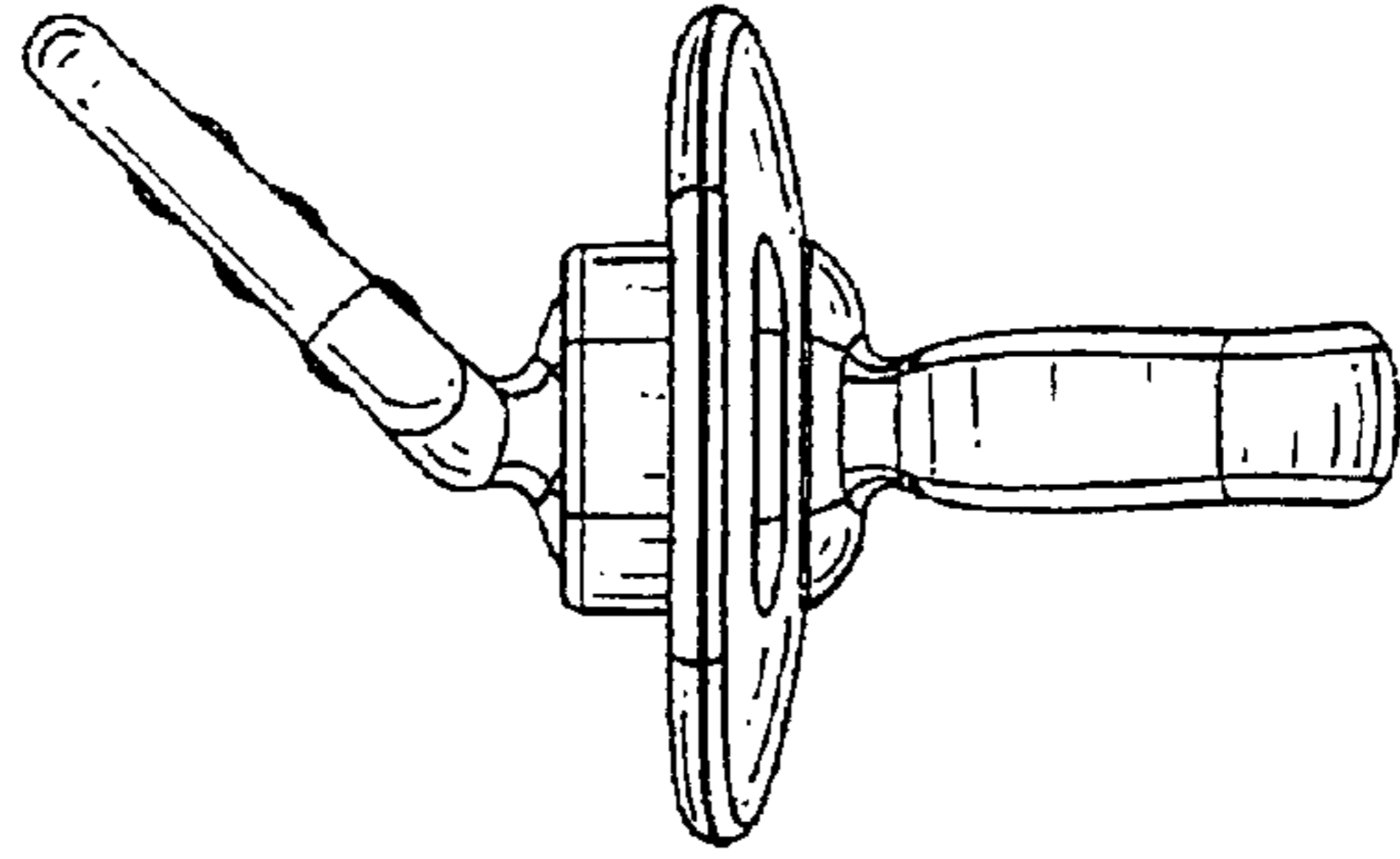


FIG.3

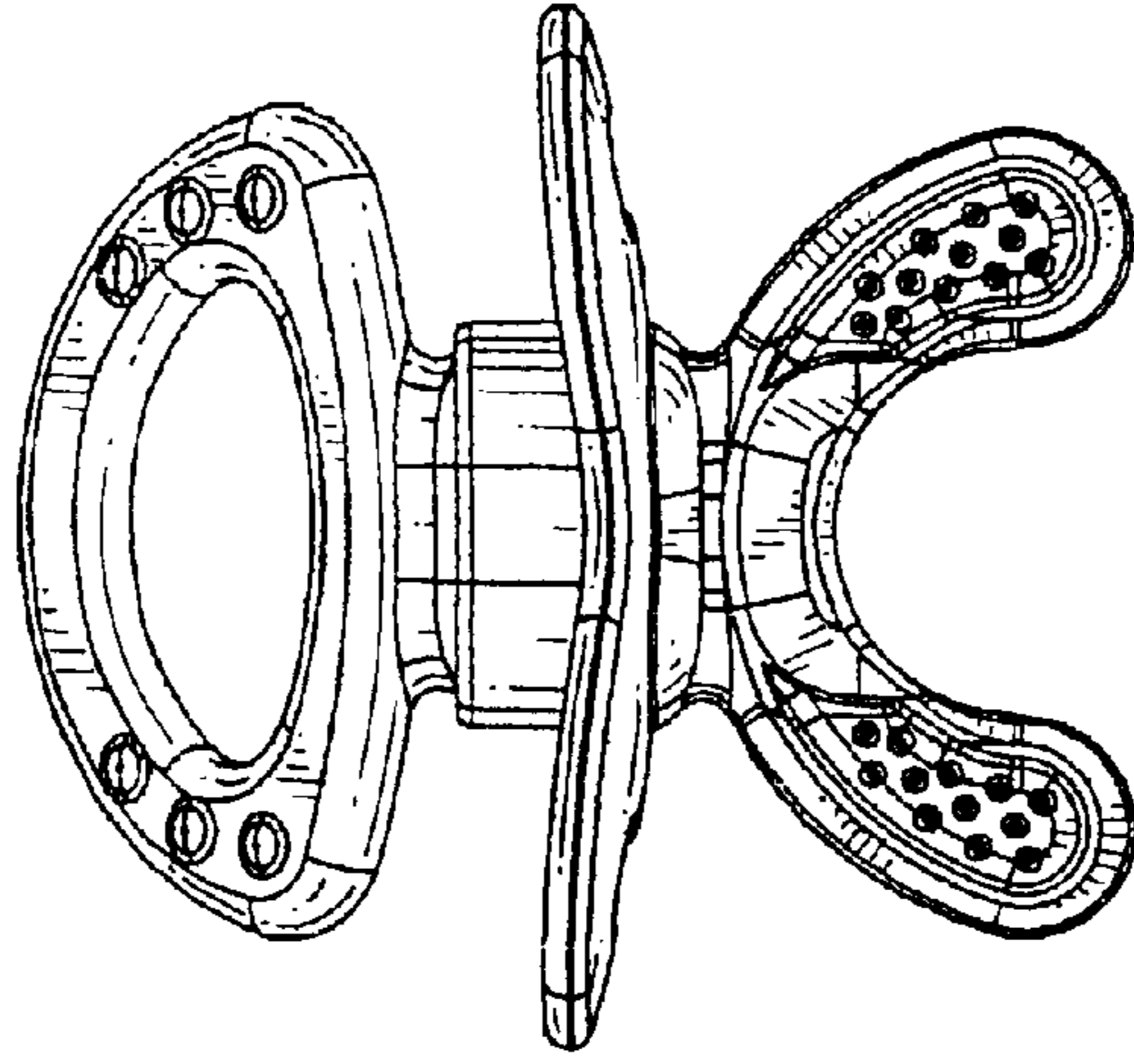


FIG.2

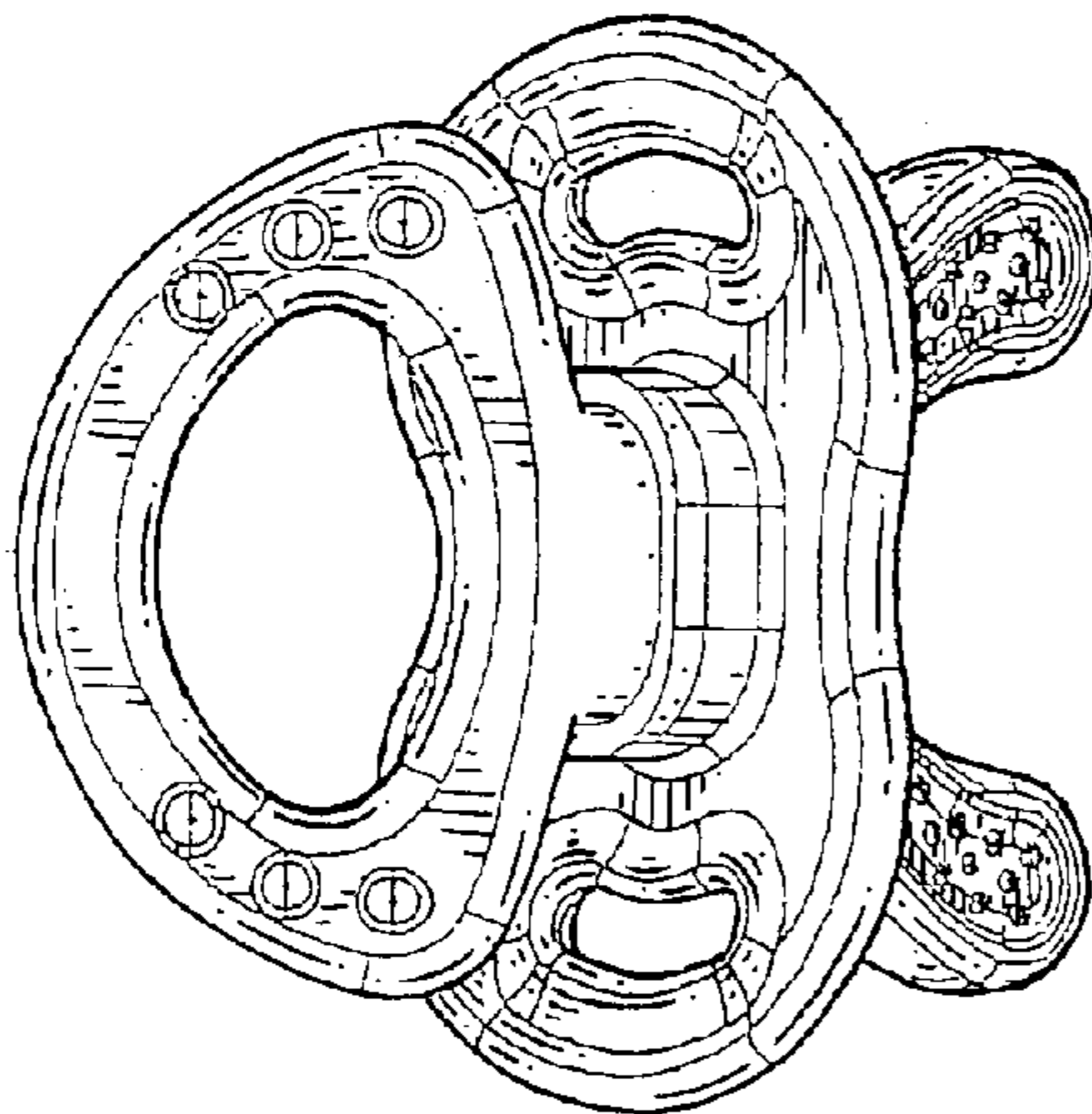


FIG.1

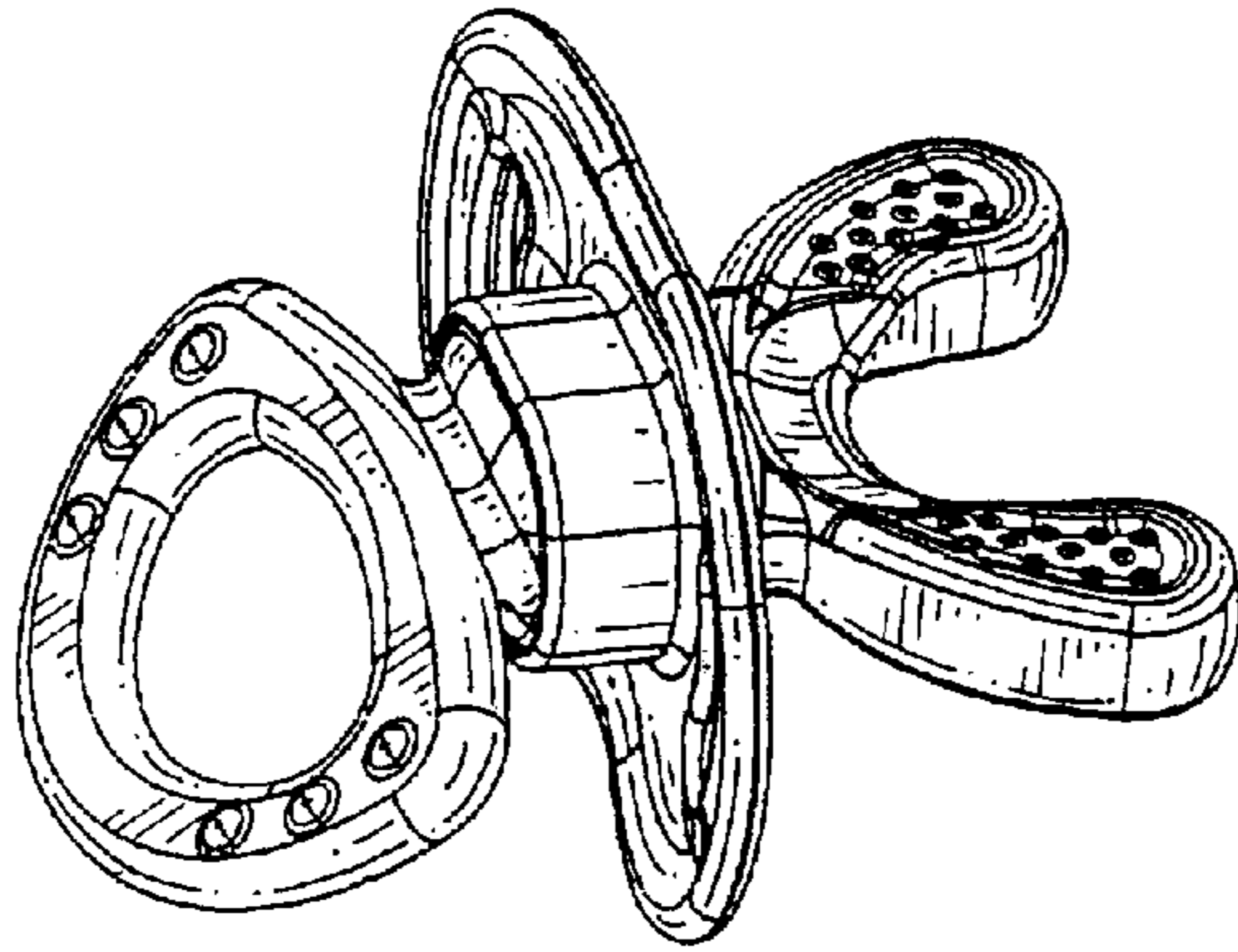


FIG.6

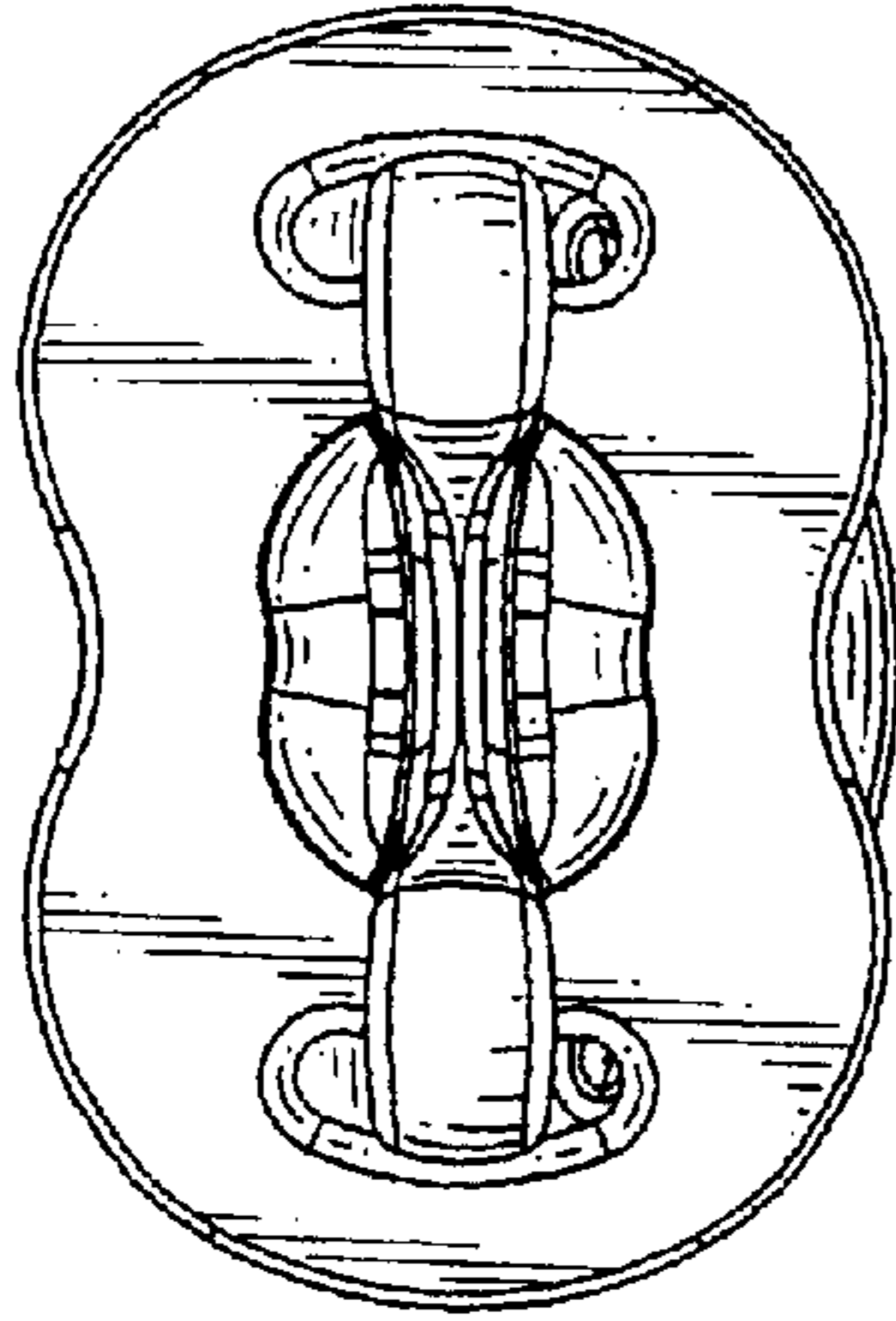


FIG.5

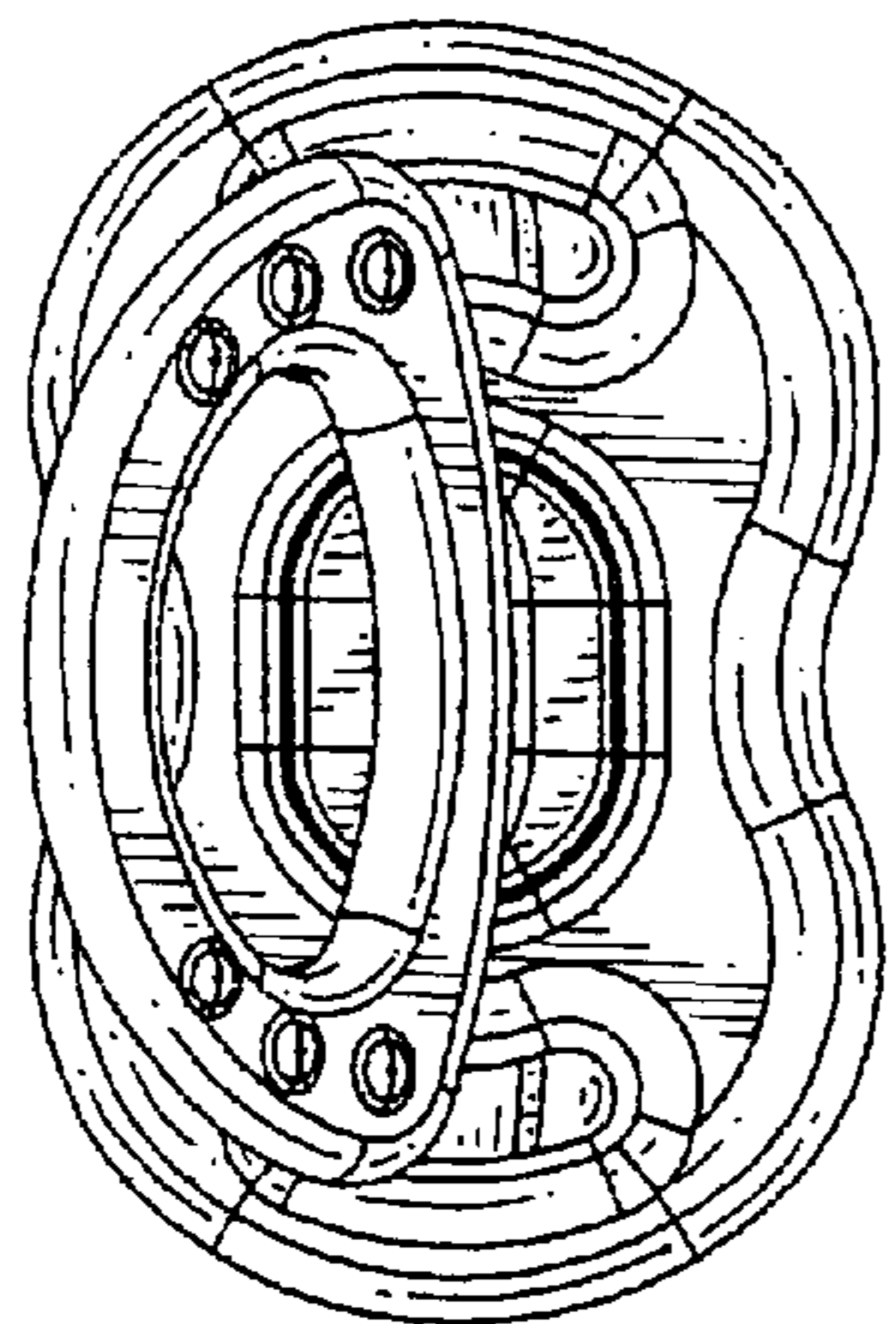


FIG.4