



US00D480141S

(12) **United States Design Patent**
Benirschke et al.

(10) **Patent No.:** **US D480,141 S**

(45) **Date of Patent:** **** Sep. 30, 2003**

(54) **BONE PLATE**

(76) Inventors: **Steve Benirschke**, 351 Lee St., Seattle, WA (US) 98109; **Mark Bryant**, 3482 CR 36, Auburn, IN (US) 46706; **Paul Duwelius**, 16925 Scott Ct., Lake Oswego, OR (US) 97225; **James Goulet**, 3451 Yellowstone, Ann Arbor, MI (US) 48105; **Patrick Rousseau**, 40 Hilbrook Stillwater Rd., Hardwick, NJ (US) 07825; **David Templeman**, 2950 Larch La., Plymouth, MN (US) 55441; **Robert A. Winqvist**, 2311 Fifth Ave., North Seattle, WA (US) 98109

(**) Term: **14 Years**

(21) Appl. No.: **29/124,201**

(22) Filed: **Jun. 1, 2000**

(51) **LOC (7) Cl.** **24-03**

(52) **U.S. Cl.** **D24/155**

(58) **Field of Search** D24/155; 606/60,
606/62-74

(56) **References Cited**

U.S. PATENT DOCUMENTS

D469,875 S * 2/2003 Bryant et al. D24/155

* cited by examiner

Primary Examiner—Antoine Duval Davis

(74) *Attorney, Agent, or Firm*—Baker & Daniels

(57) **CLAIM**

The ornamental design for a bone plate, as shown.

DESCRIPTION

FIG. 1 is a perspective view of a bone plate showing our new design.

FIG. 2 is a top elevational view thereof.

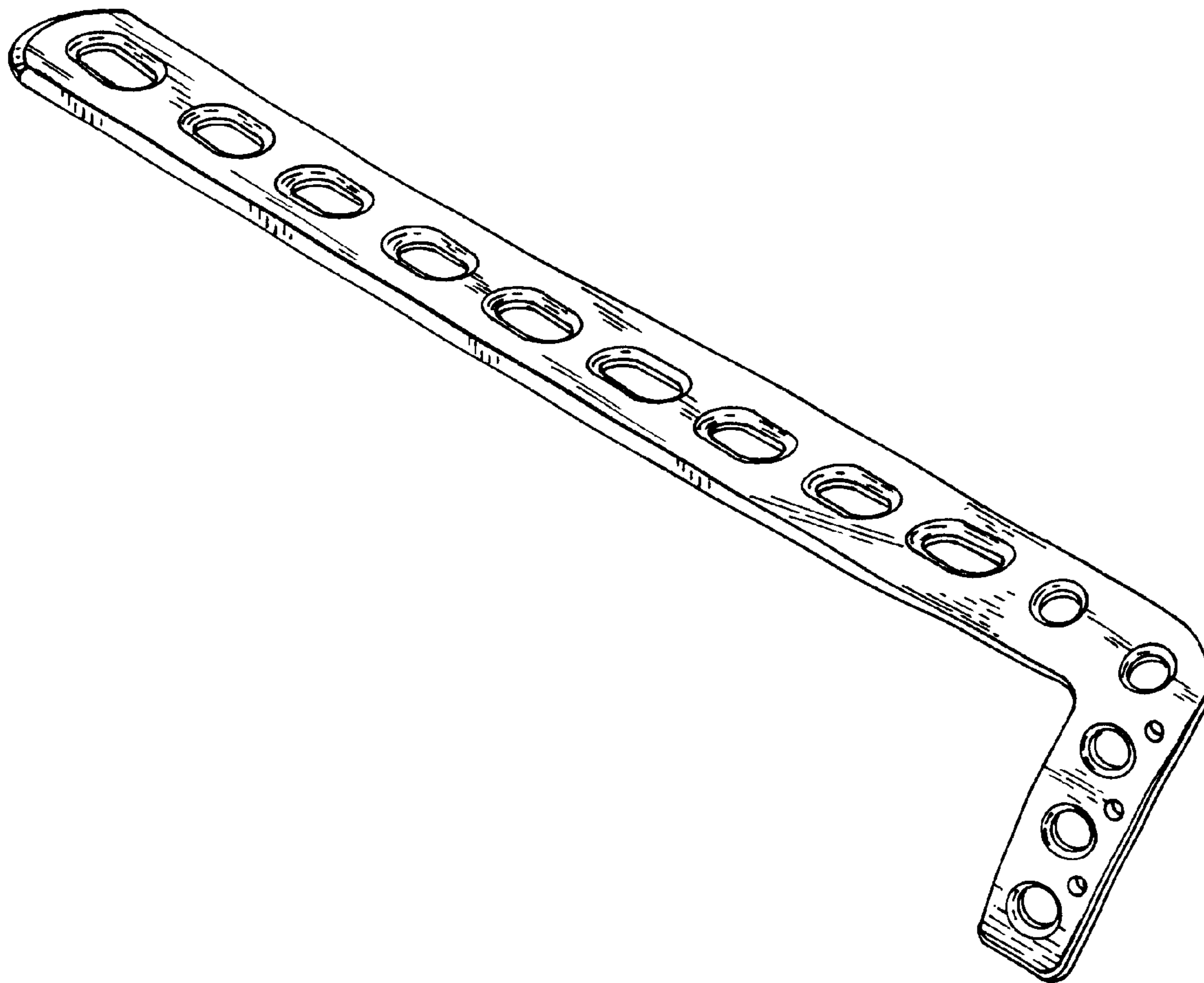
FIG. 3 is a bottom elevational view thereof.

FIG. 4 is a front elevational view thereof.

FIG. 5 is a back elevational view thereof; and,

FIGS. 6 and 7 are end elevational views thereof taken from opposing ends of a bone plate showing our new design.

1 Claim, 2 Drawing Sheets



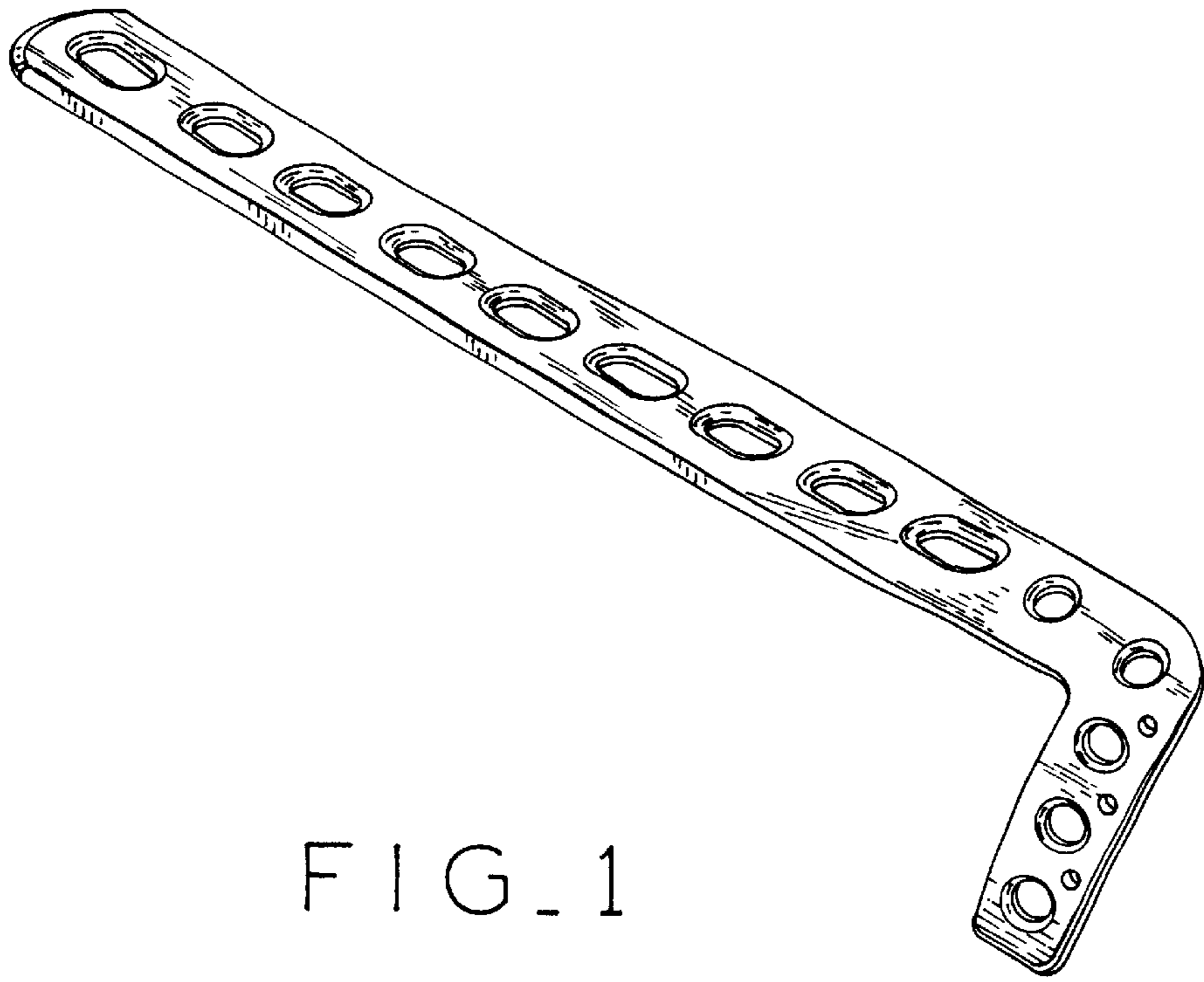


FIG. 1

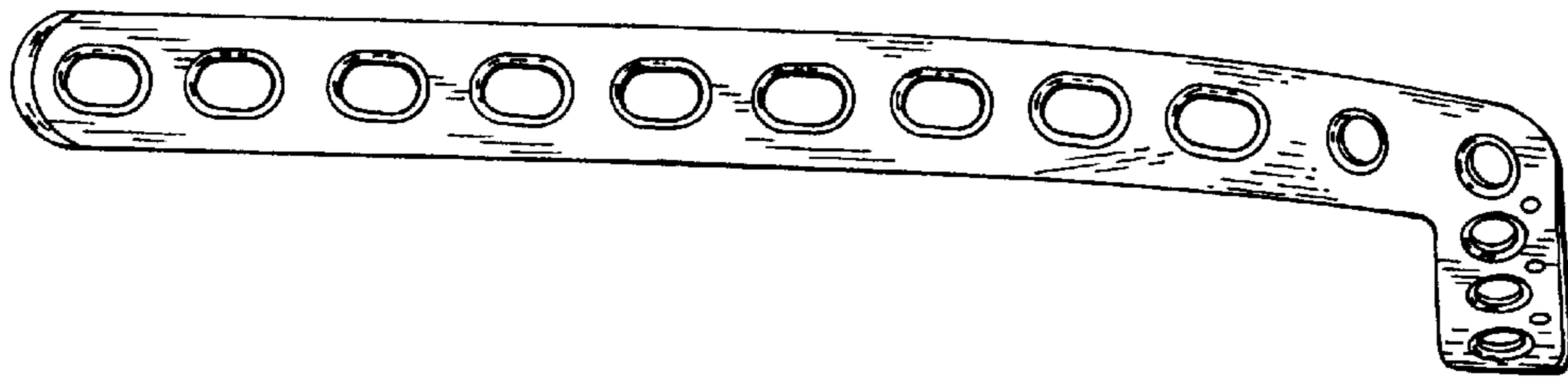


FIG. 2

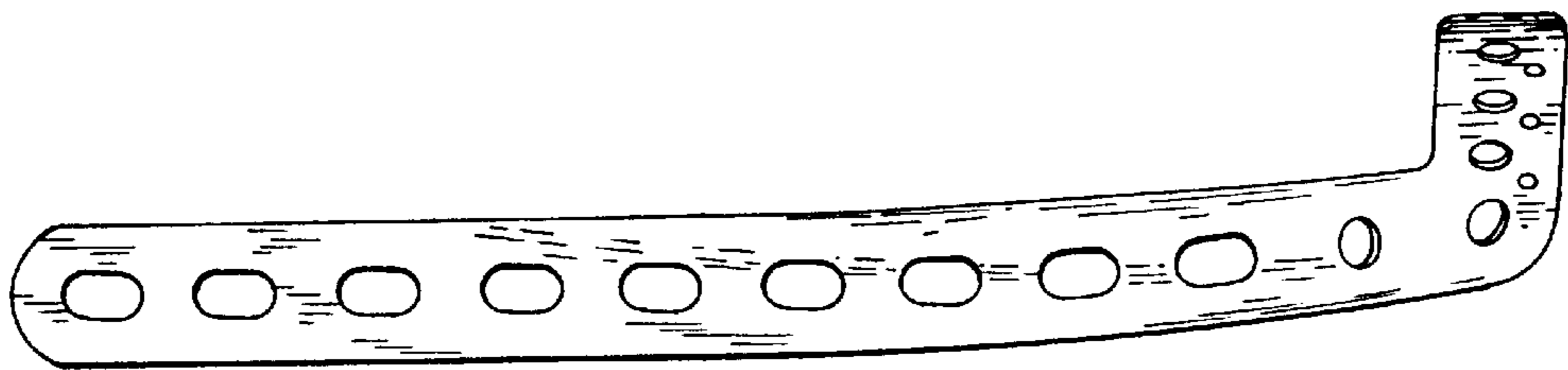


FIG. 3

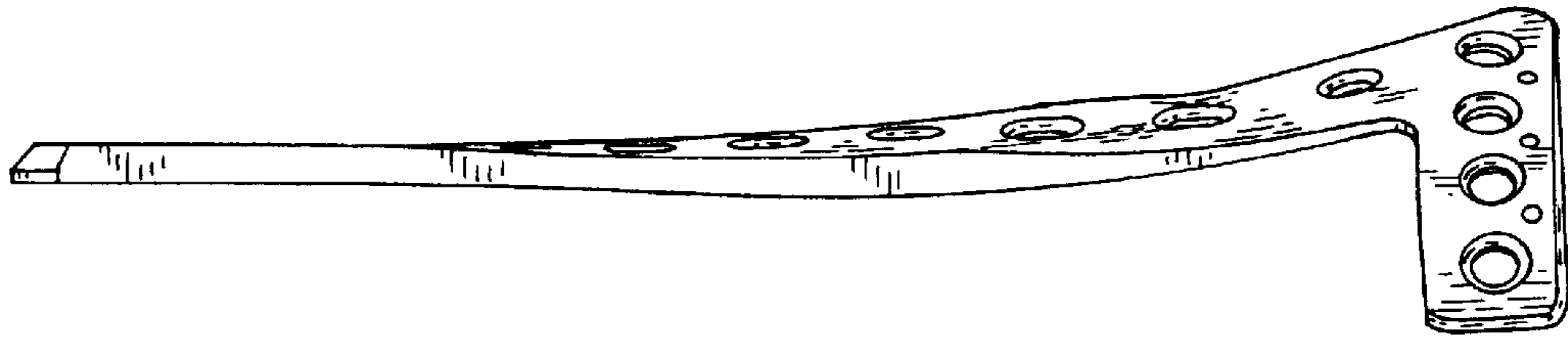


FIG. 4

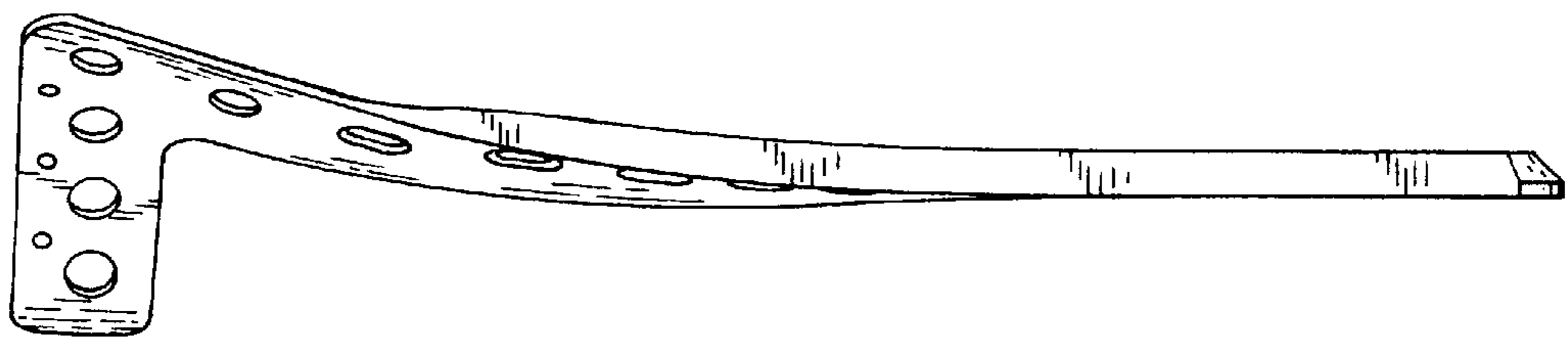


FIG. 5

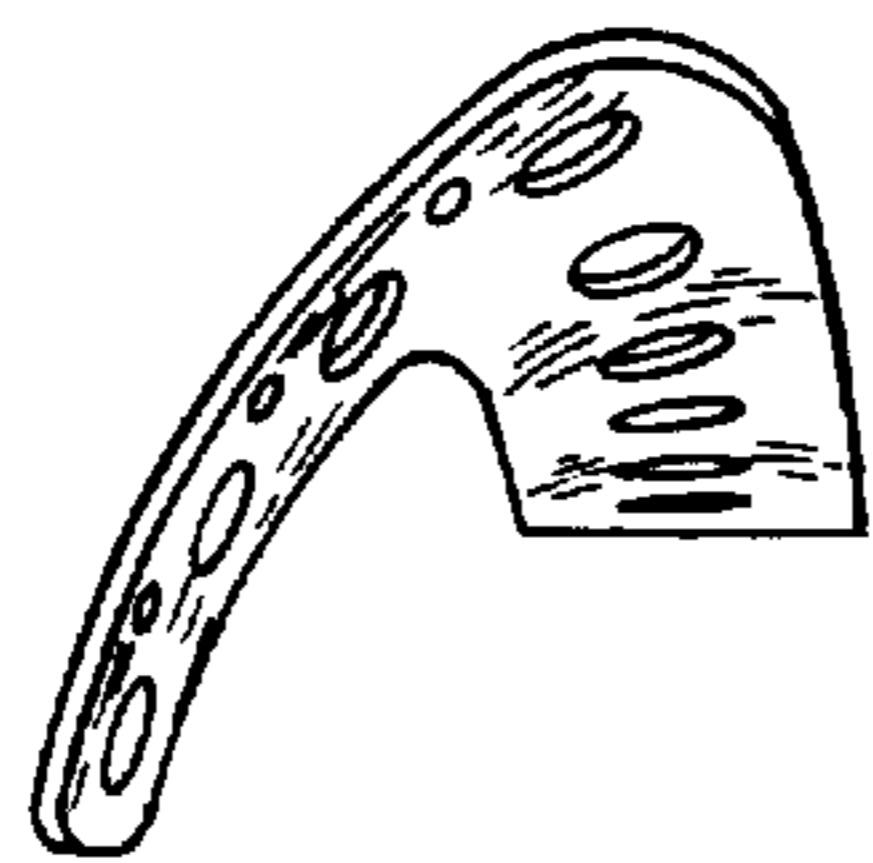


FIG. 6

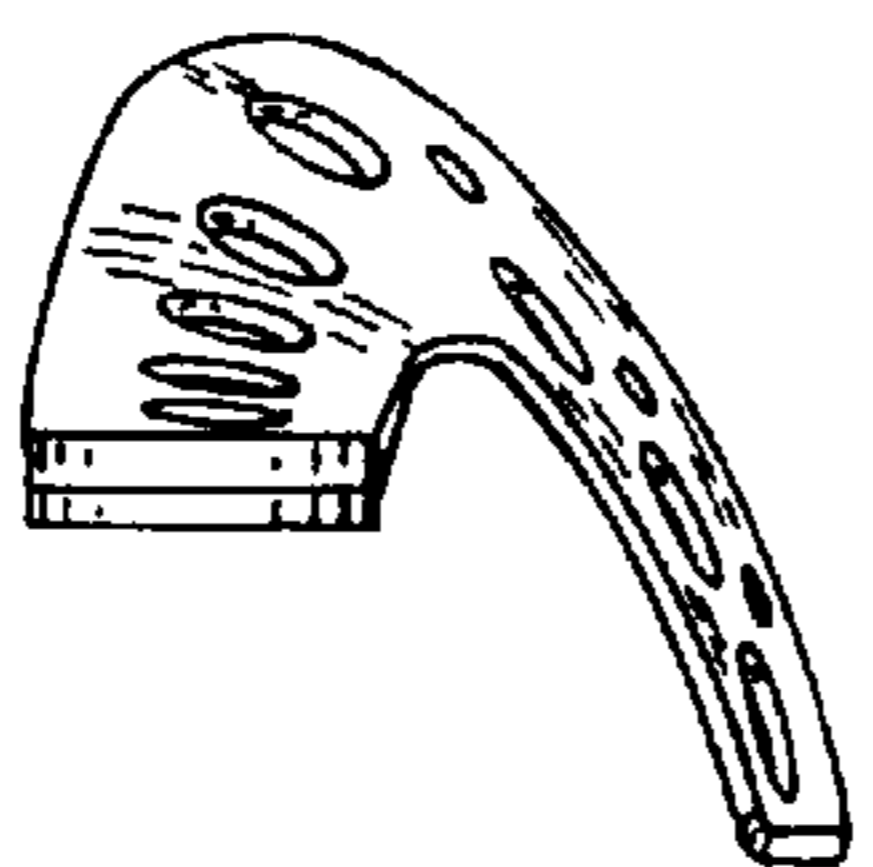


FIG. 7