



US00D480140S

(12) **United States Design Patent**
Harding et al.

(10) **Patent No.:** **US D480,140 S**

(45) **Date of Patent:** **** Sep. 30, 2003**

(54) **SPLITTABLE CANNULA INTRODUCER**

6,273,874 B1 * 8/2001 Parris 604/164.05

(75) Inventors: **Weston F. Harding**, Lehi, UT (US);
Wayne Morris Parris, Draper, UT (US)

* cited by examiner

Primary Examiner—Ian Simmons
(74) *Attorney, Agent, or Firm*—James J. Murtha

(73) Assignee: **Becton Dickinson and Company**,
Franklin Lakes, NJ (US)

(57) **CLAIM**

(**) Term: **14 Years**

The ornamental design for a splittable cannula introducer, as shown.

(21) Appl. No.: **29/166,684**

DESCRIPTION

(22) Filed: **Sep. 3, 2002**

(51) **LOC (7) Cl.** **24-02**

(52) **U.S. Cl.** **D24/130**

(58) **Field of Search** D24/130, 112;
604/177, 171, 164.05, 164.01, 164.11, 160

FIG. 1 is a top, right, front perspective view of the splittable cannula introducer of the instant invention;

FIG. 2 is a bottom, right, front perspective view of the splittable cannula introducer of FIG. 1;

FIG. 3 is a front elevation view of the splittable cannula introducer of FIG. 1;

FIG. 4 is a rear elevation view of the splittable cannula introducer of FIG. 1;

FIG. 5 is a top view of the splittable cannula introducer of FIG. 1;

FIG. 6 is a right elevation view of the splittable cannula introducer of FIG. 1; and,

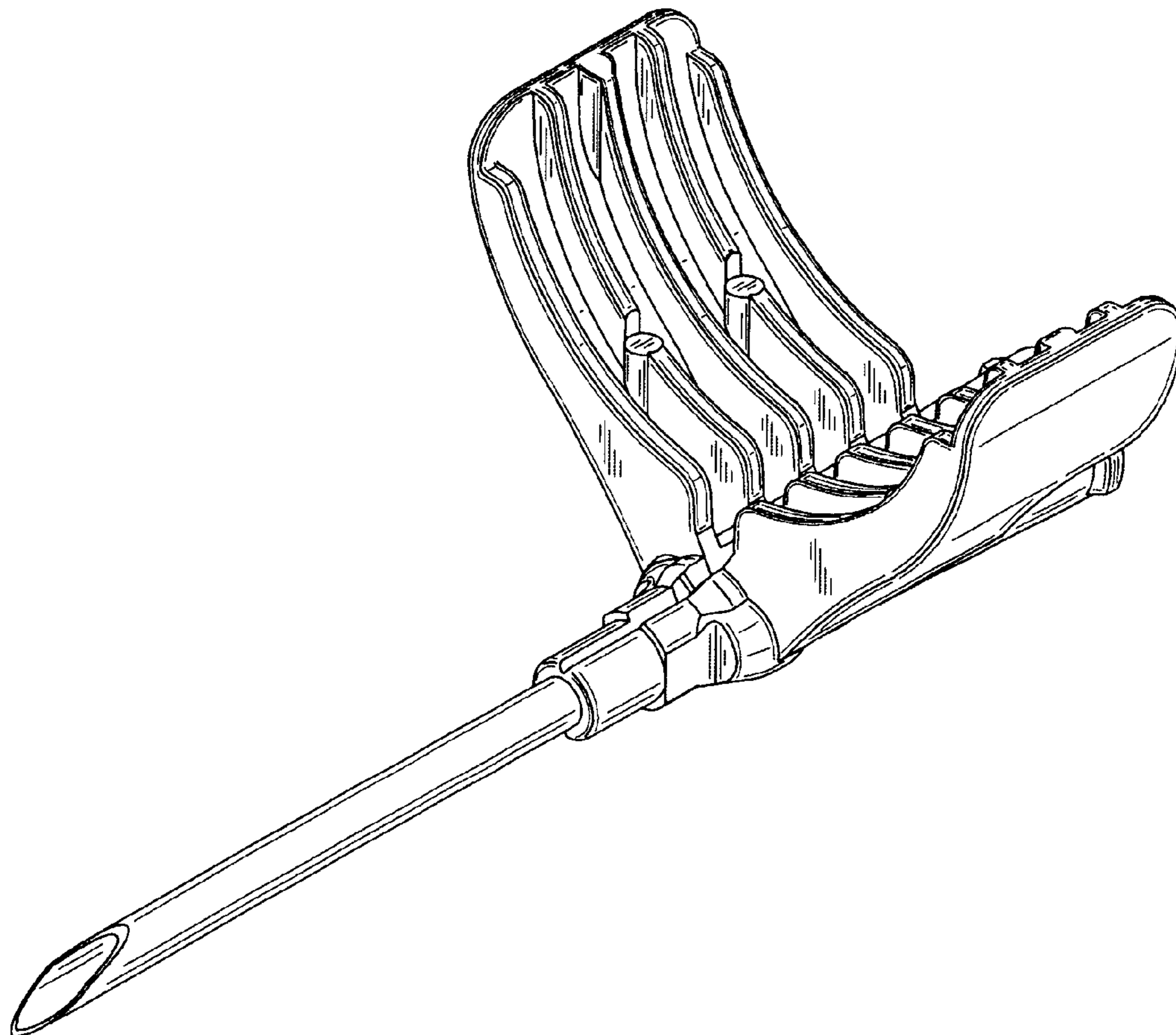
FIG. 7 is a bottom view of the splittable cannula introducer of FIG. 1.

(56) **References Cited**

U.S. PATENT DOCUMENTS

D318,733	S	*	7/1991	Wyzgala	D24/112
5,141,497	A	*	8/1992	Erskine	604/164.05
D358,465	S	*	5/1995	Klein et al.	D24/112
5,489,273	A	*	2/1996	Whitney et al.	604/160
5,743,882	A	*	4/1998	Luther	604/164.05
6,139,532	A	*	10/2000	Howell et al.	604/177

1 Claim, 6 Drawing Sheets



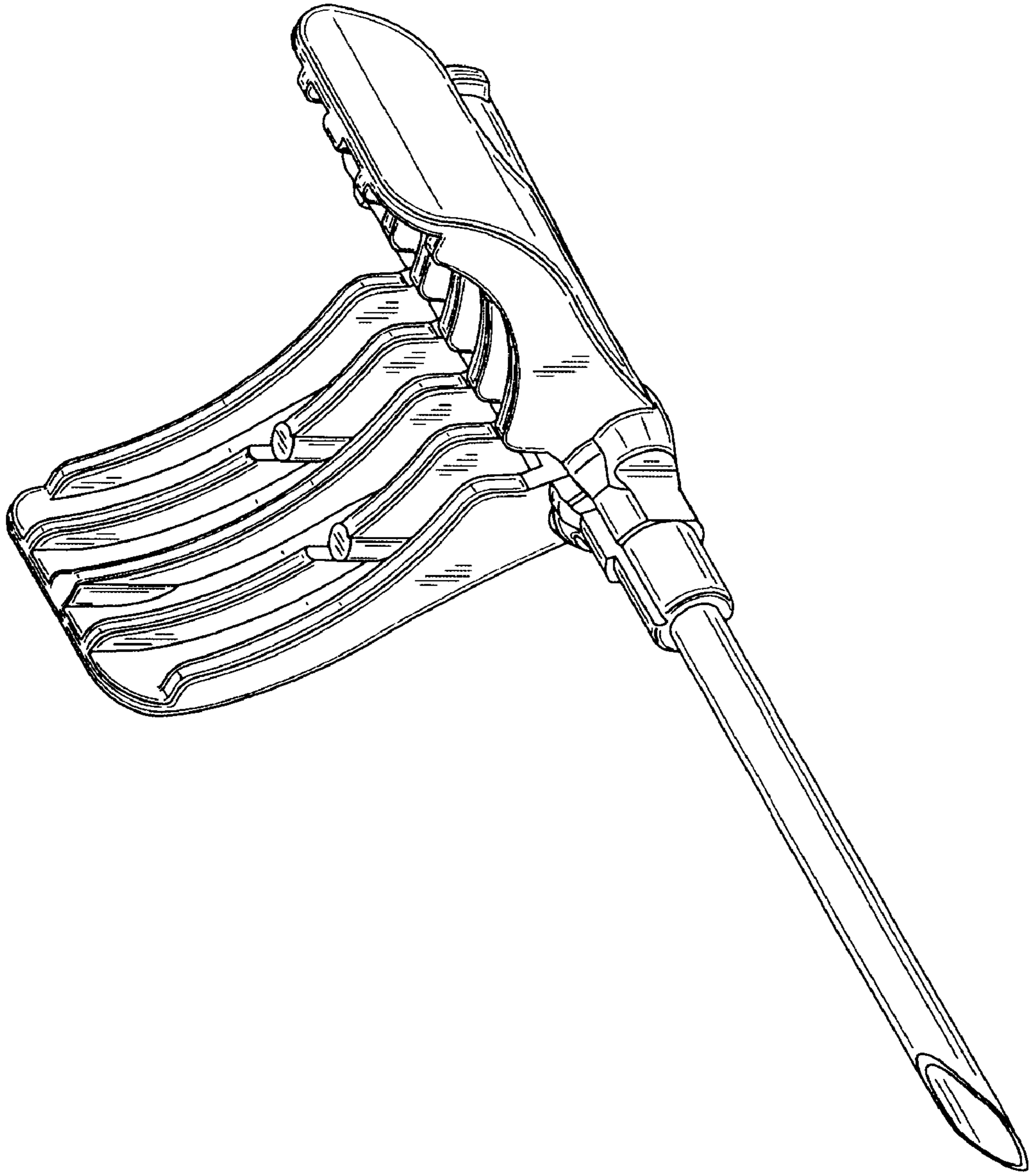


FIG. 1

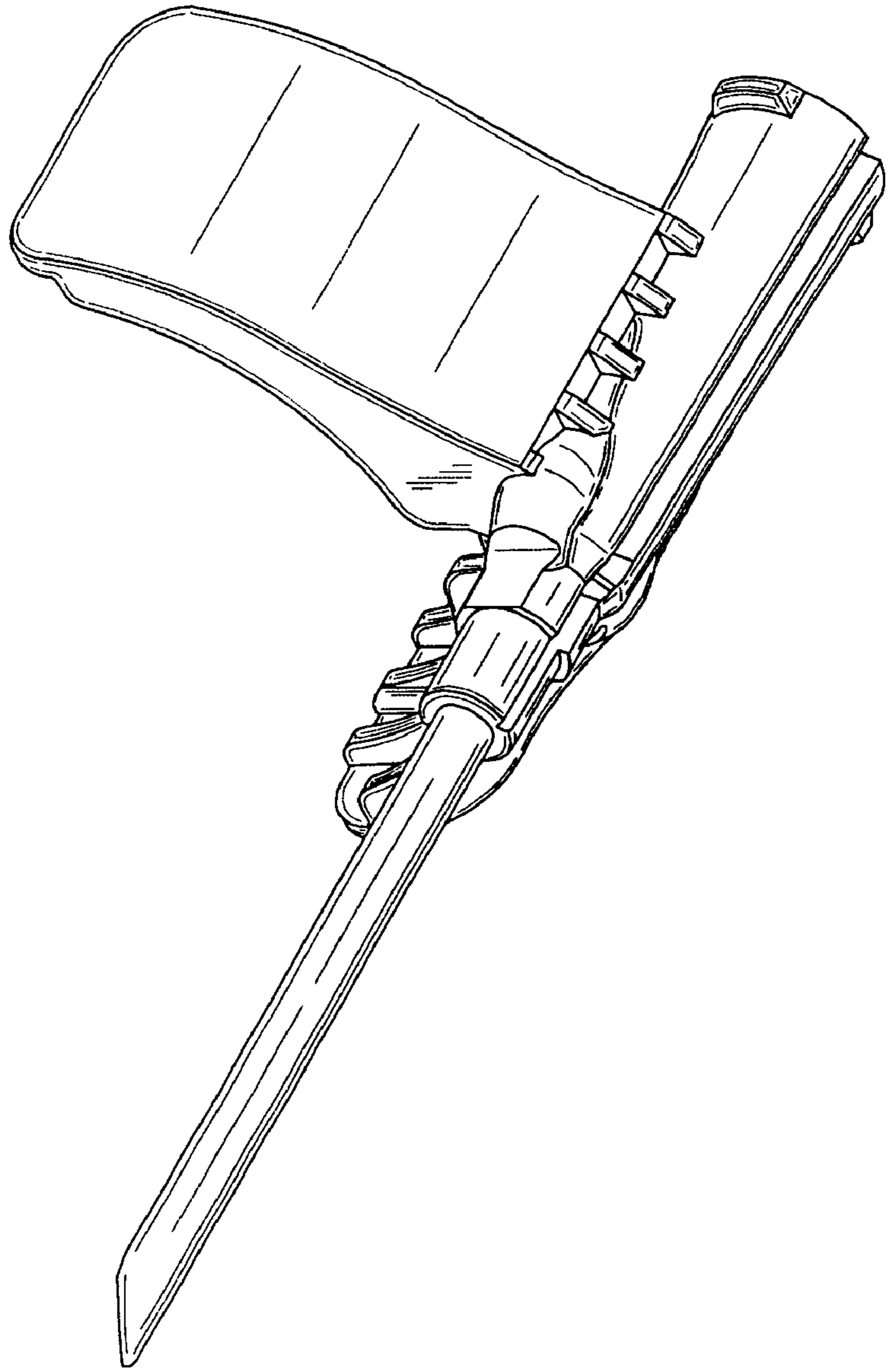


FIG. 2

FIG. 4

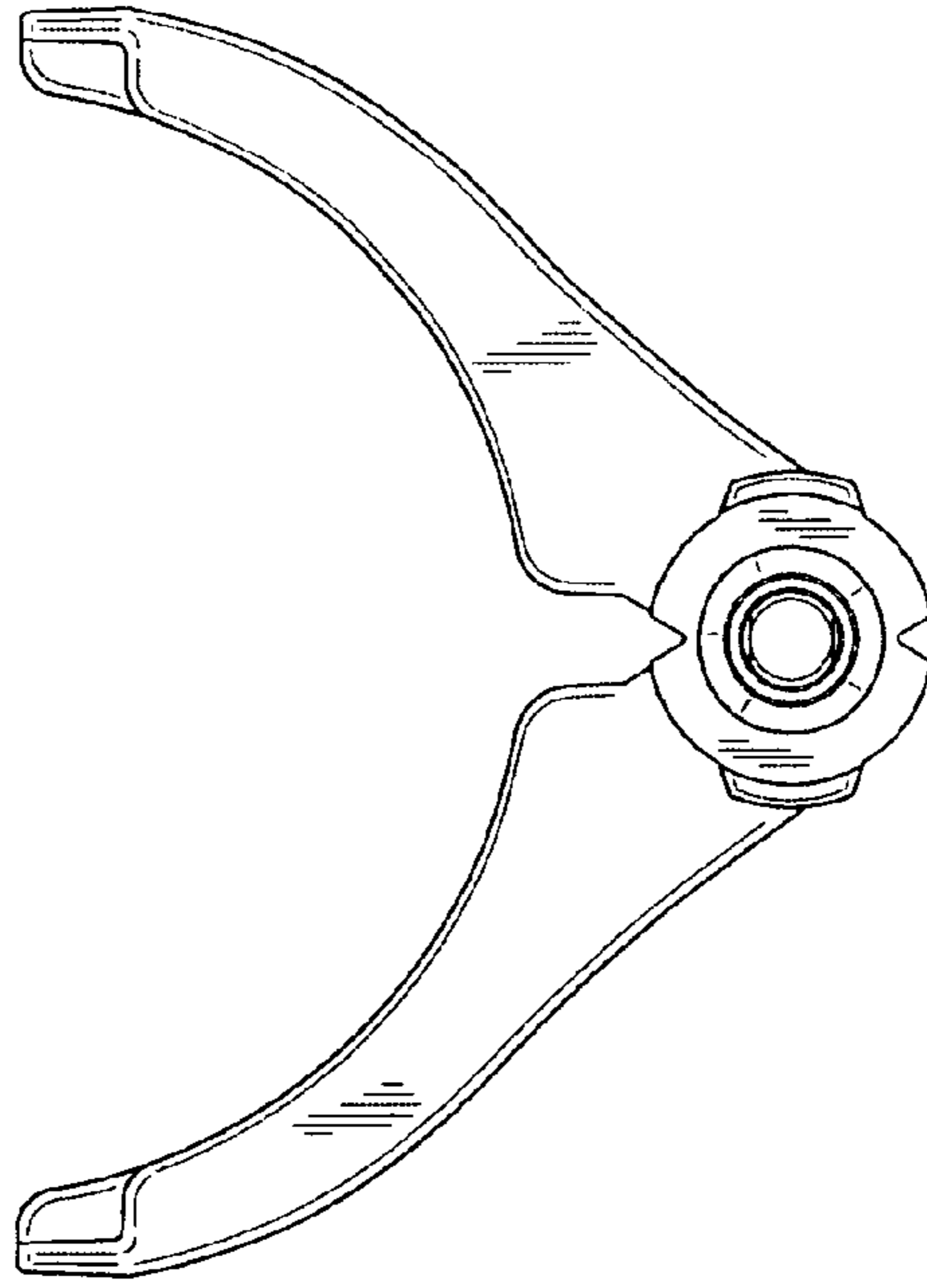
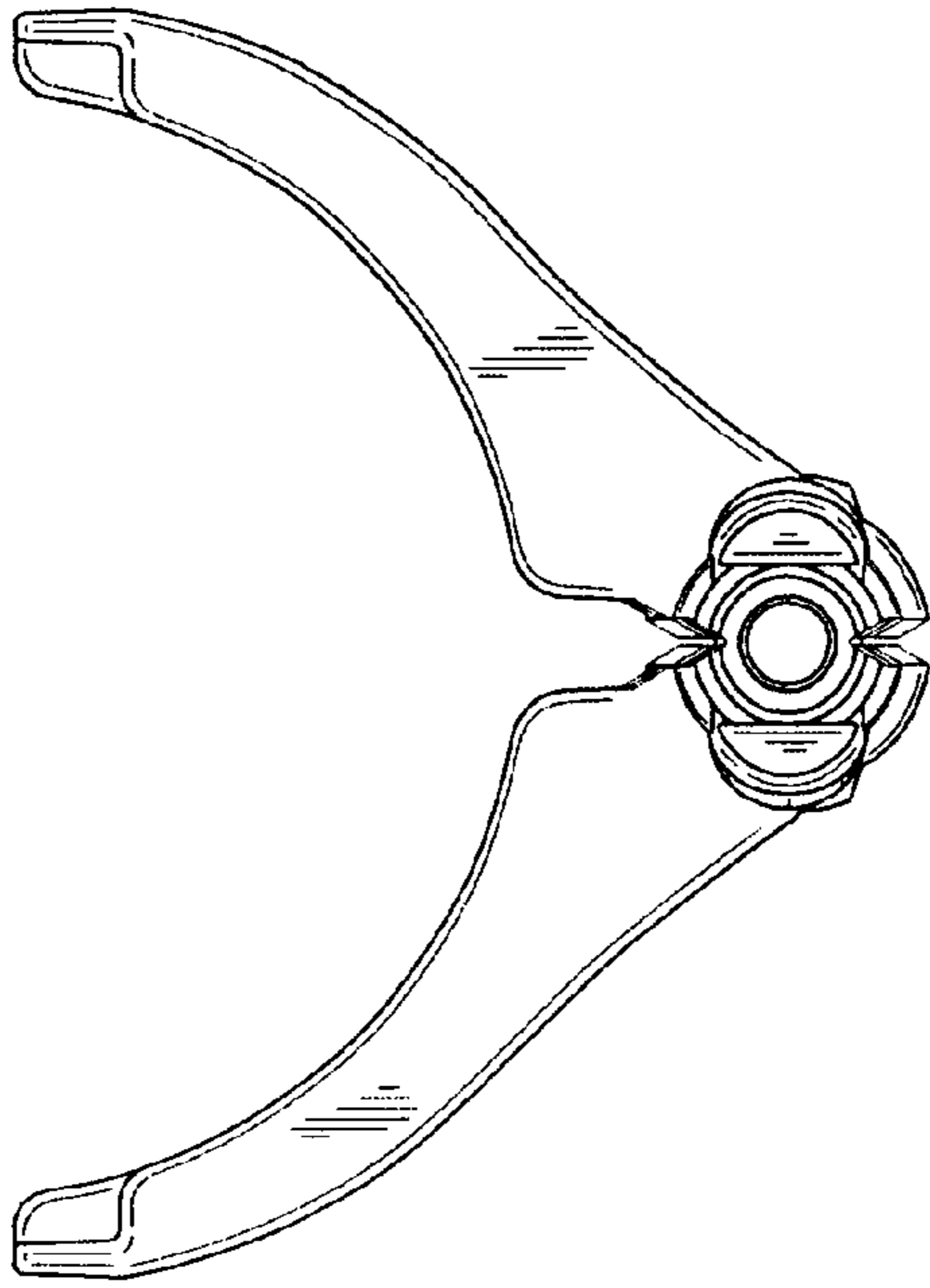


FIG. 3



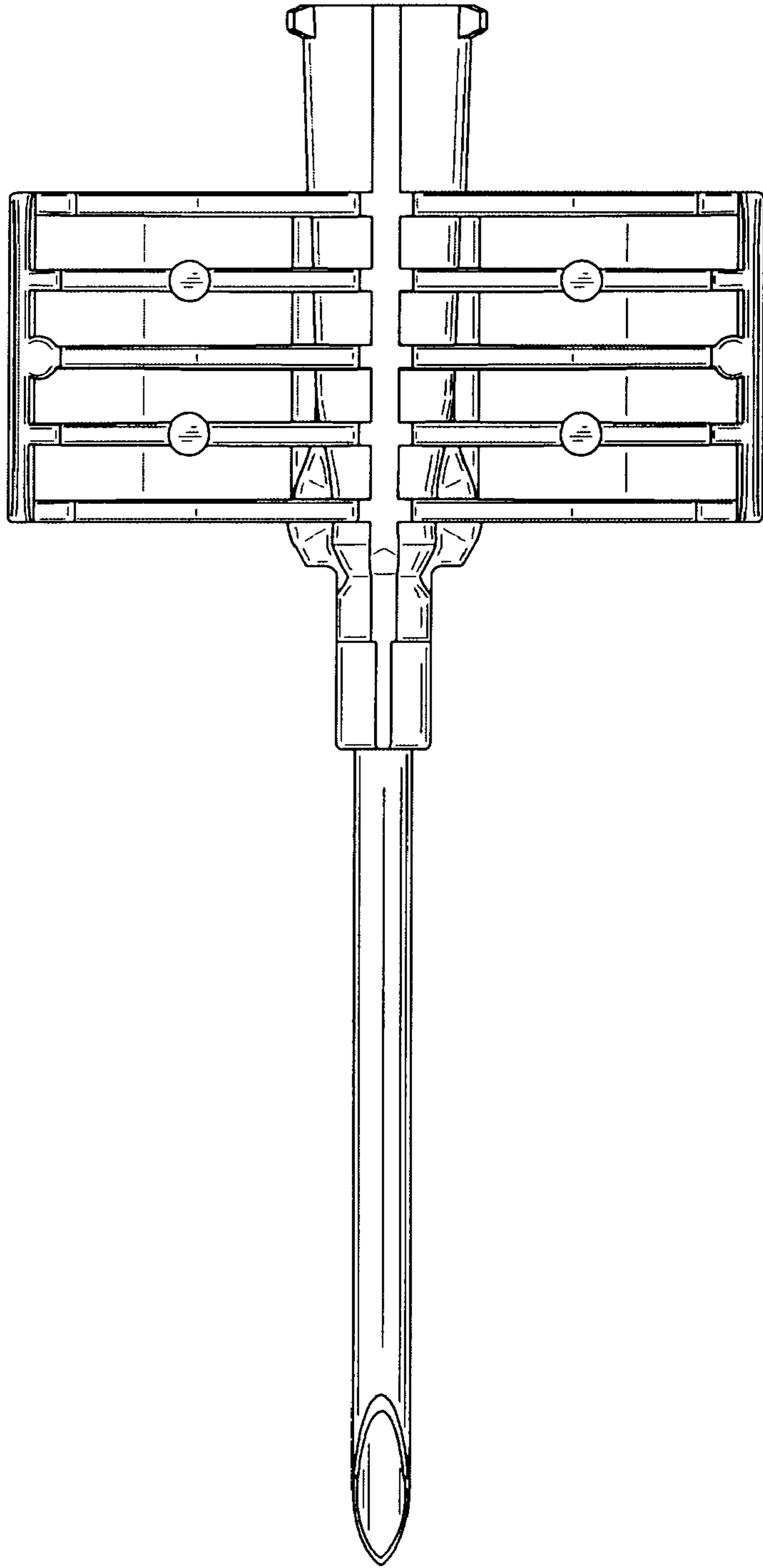


FIG. 5

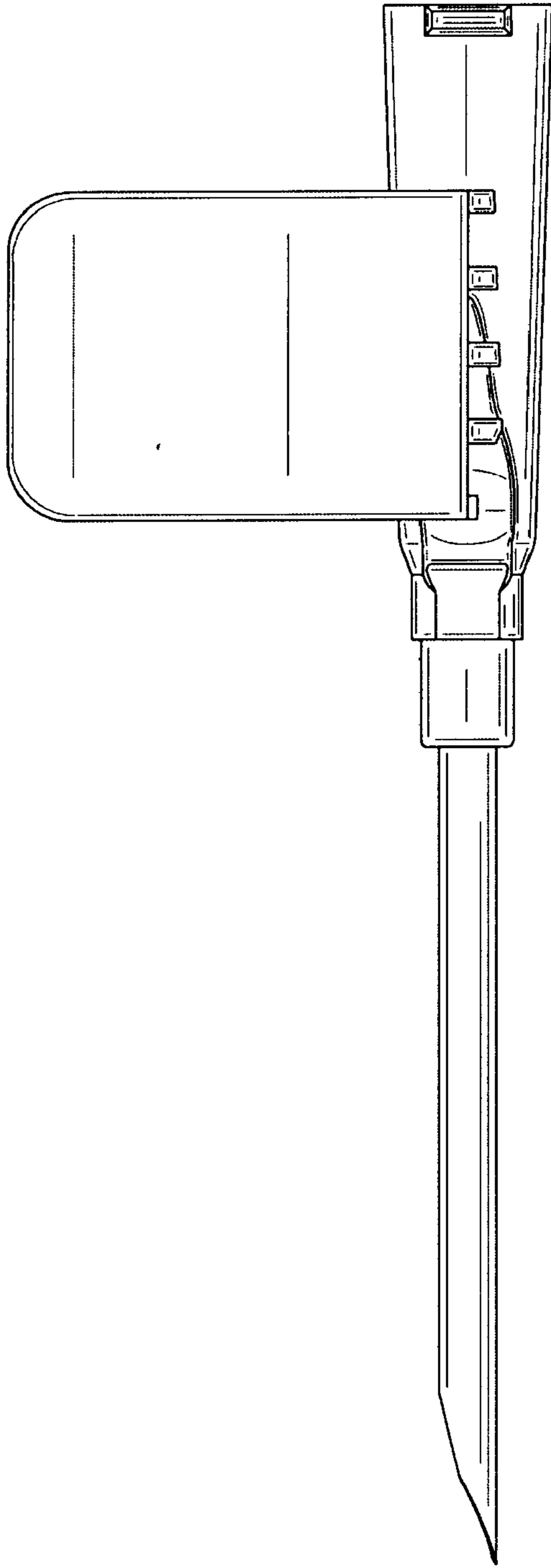


FIG. 6

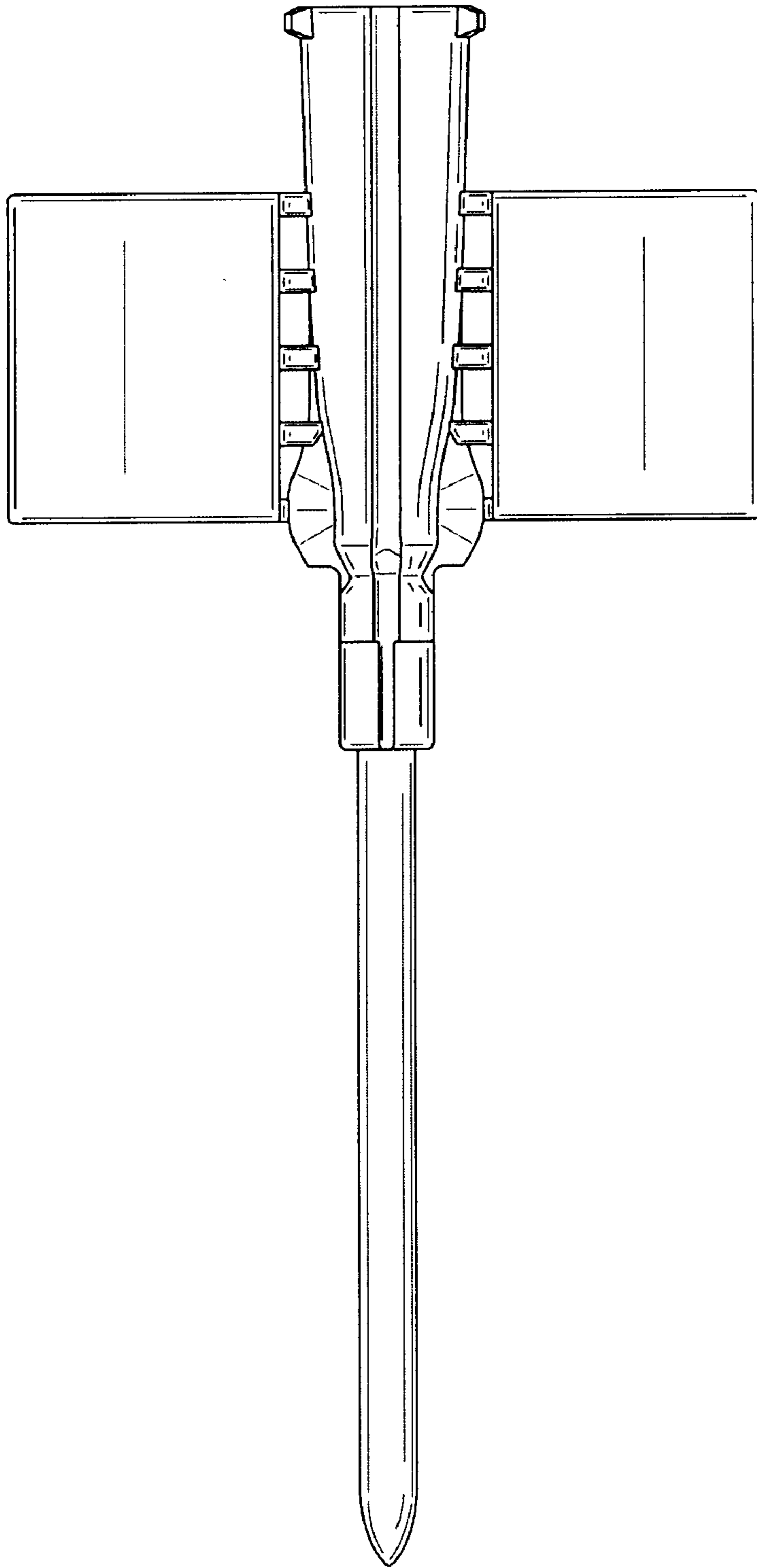


FIG. 7