



US00D480138S

(12) **United States Design Patent**  
**Engelbreth et al.**

(10) **Patent No.:** **US D480,138 S**  
(45) **Date of Patent:** **\*\* Sep. 30, 2003**

(54) **AEROSOL MEDICATION DELIVERY  
INHALER BODY**

5,816,240 A 10/1998 Komesaroff  
5,855,202 A 1/1999 Andrade  
6,230,704 B1 \* 5/2001 Durkin et al. .... 128/200.22

(75) Inventors: **Dan Engelbreth**, London (CA); **Robert Morton**, London (CA); **Martin Foley**, London (CA)

**FOREIGN PATENT DOCUMENTS**

GB 2142246 1/1985  
GB 2195544 4/1988  
WO WO 92/20391 11/1992

(73) Assignee: **1263152 Ontario Inc.**, London (CA)

(\*\*) Term: **14 Years**

**OTHER PUBLICATIONS**

(21) Appl. No.: **29/153,777**

Pending Patent Application Assigned to Trudell Medical—  
Patent Application Ser. No.: 29/138,469, Inventor: Engel-  
breth et al., Filing Date: Mar. 13, 2001.

(22) Filed: **Jan. 14, 2002**

\* cited by examiner

**Related U.S. Application Data**

(62) Division of application No. 29/138,469, filed on Mar. 13, 2001, which is a continuation of application No. 29/077,088, filed on Sep. 26, 1997, now abandoned.

*Primary Examiner*—Ian Simmons

(74) *Attorney, Agent, or Firm*—Brinks Hofer Gilson & Lione

(51) **LOC (7) Cl.** ..... **29-02**

(52) **U.S. Cl.** ..... **D24/110**

(58) **Field of Search** ..... D24/110; 128/200.23,  
128/203.12, 200.14, 203.15, 200.12

(57) **CLAIM**

We claim the ornamental design for an aerosol medication delivery inhaler body, as shown and described.

(56) **References Cited**

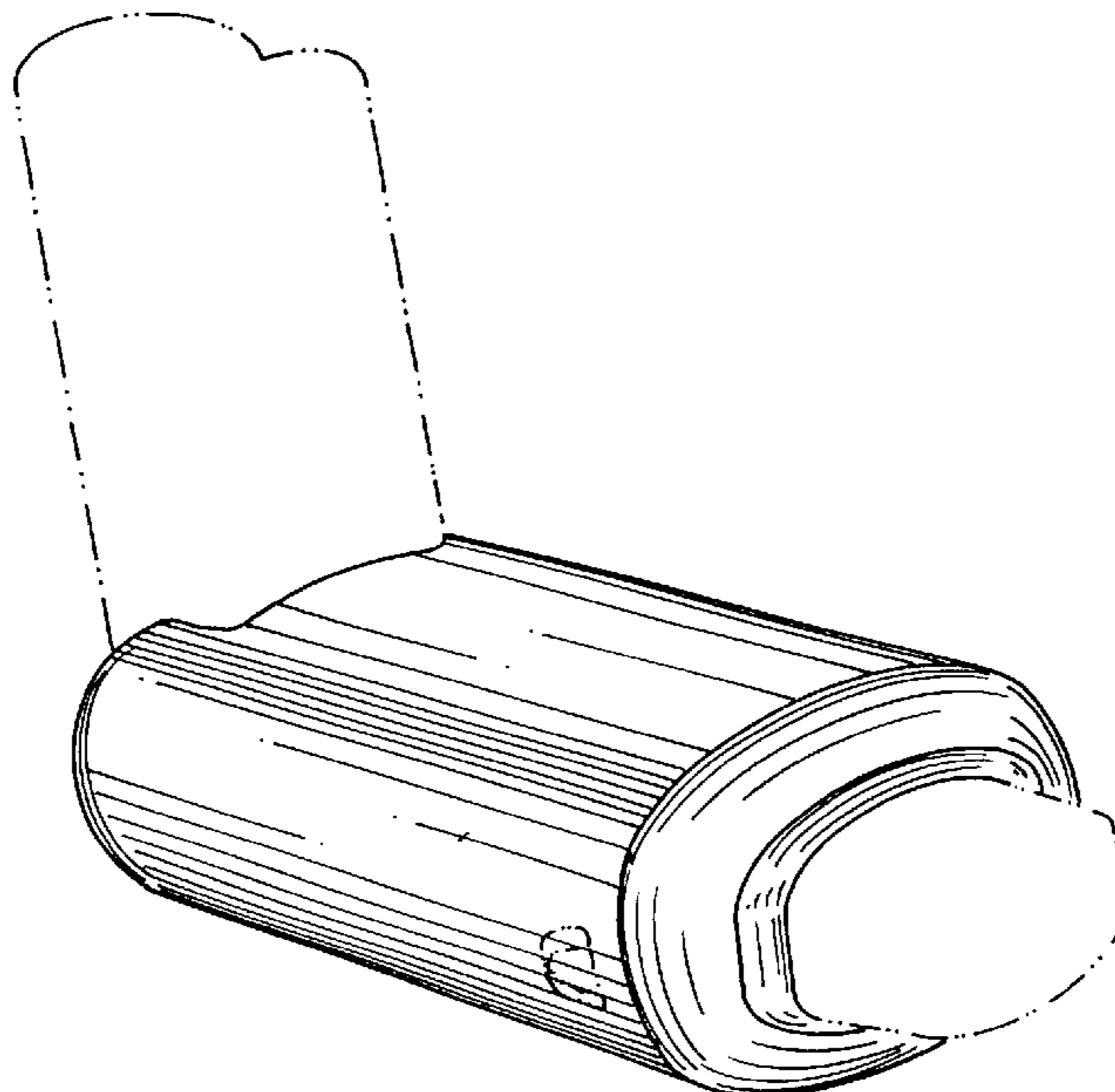
**DESCRIPTION**

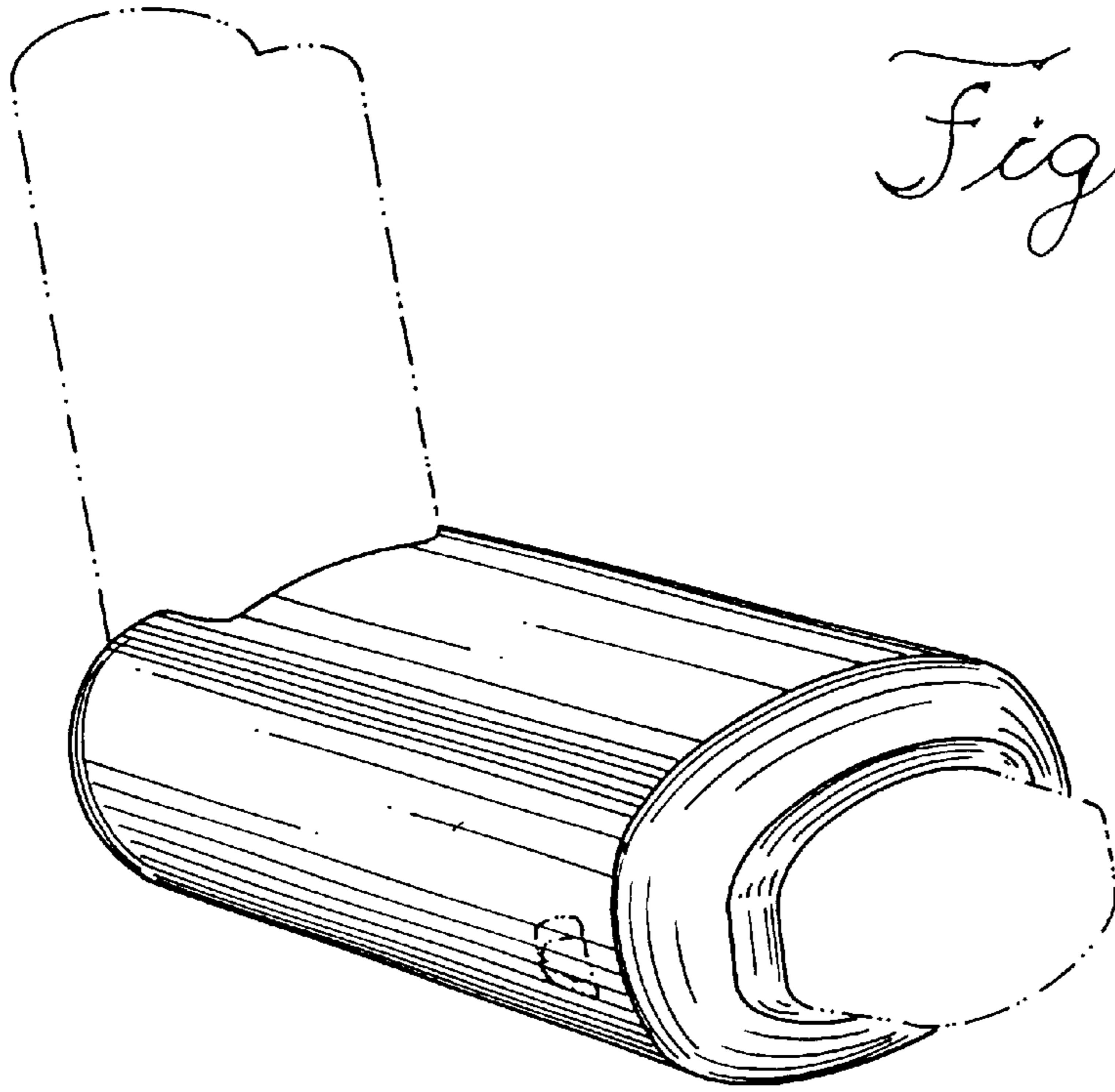
**U.S. PATENT DOCUMENTS**

- D214,972 S \* 8/1969 Katerndahl ..... D24/110
- D276,654 S 12/1984 Snellman-Wasenius et al.
- 4,852,561 A 8/1989 Sperry
- 5,012,803 A 5/1991 Foley et al.
- 5,040,527 A \* 8/1991 Larson et al. .... 128/200.23
- 5,042,467 A 8/1991 Foley
- D326,517 S \* 5/1992 Funai et al. .... D24/110
- 5,477,849 A \* 12/1995 Fry ..... 128/200.14
- 5,505,194 A \* 4/1996 Adjei et al. .... 128/200.23
- D373,630 S \* 9/1996 Berg et al. .... D24/110
- 5,799,651 A 9/1998 Garby et al.

FIG. 1 is a perspective view of an aerosol medication delivery inhaler body showing our new design;  
FIG. 2 is a front view of the body FIG. 1;  
FIG. 3 is a rear view of the body FIG. 1;  
FIG. 4 is a top view of the body FIG. 1;  
FIG. 5 is a right side view of the body FIG. 1 and which is a mirror image of the left side view of the body of FIG. 1; and,  
FIG. 6 is a bottom view of the body FIG. 1.  
The broken lines in FIGS. 1–6 are for environmental purposes only and form no part of the claimed design.

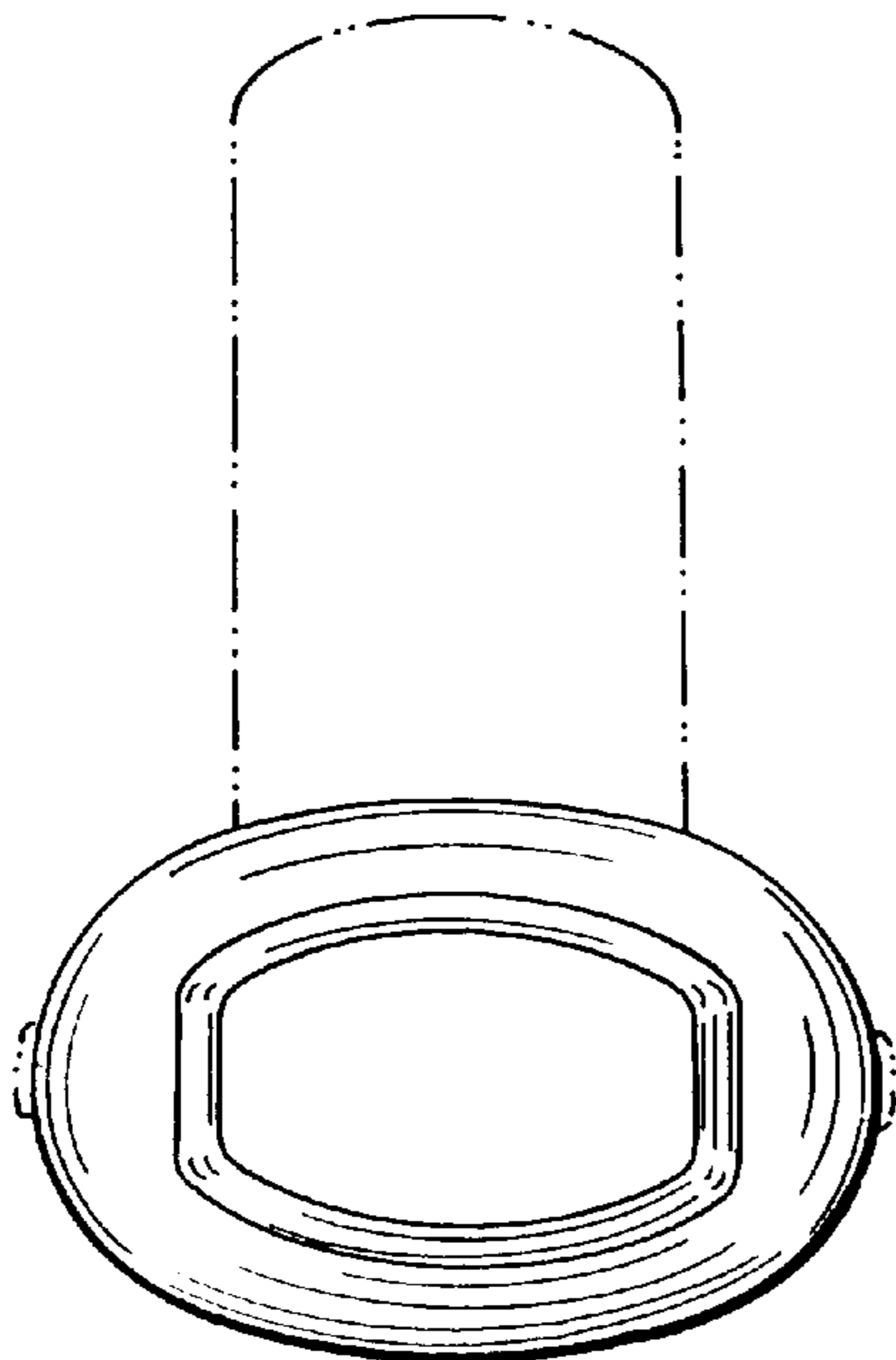
**1 Claim, 2 Drawing Sheets**



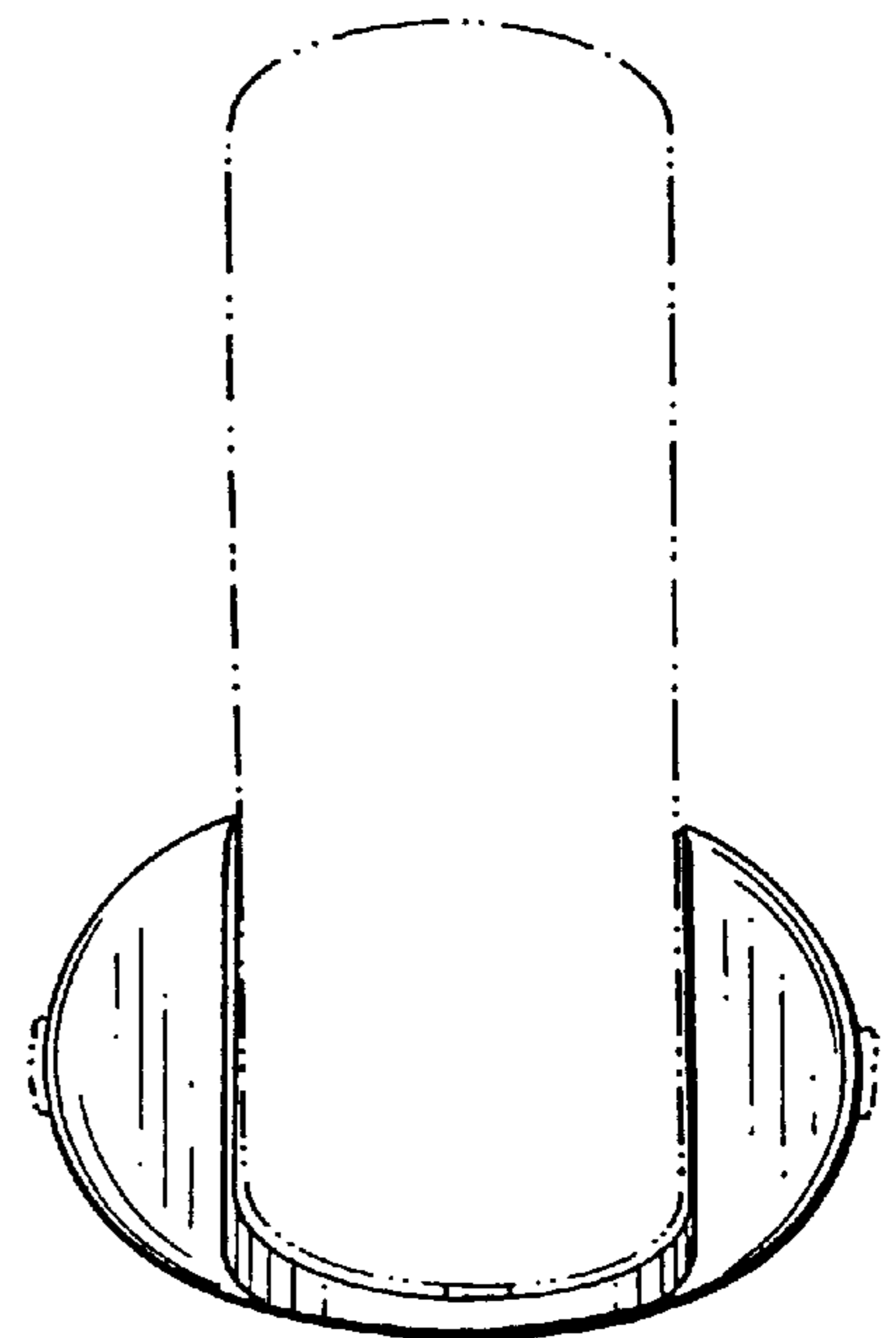


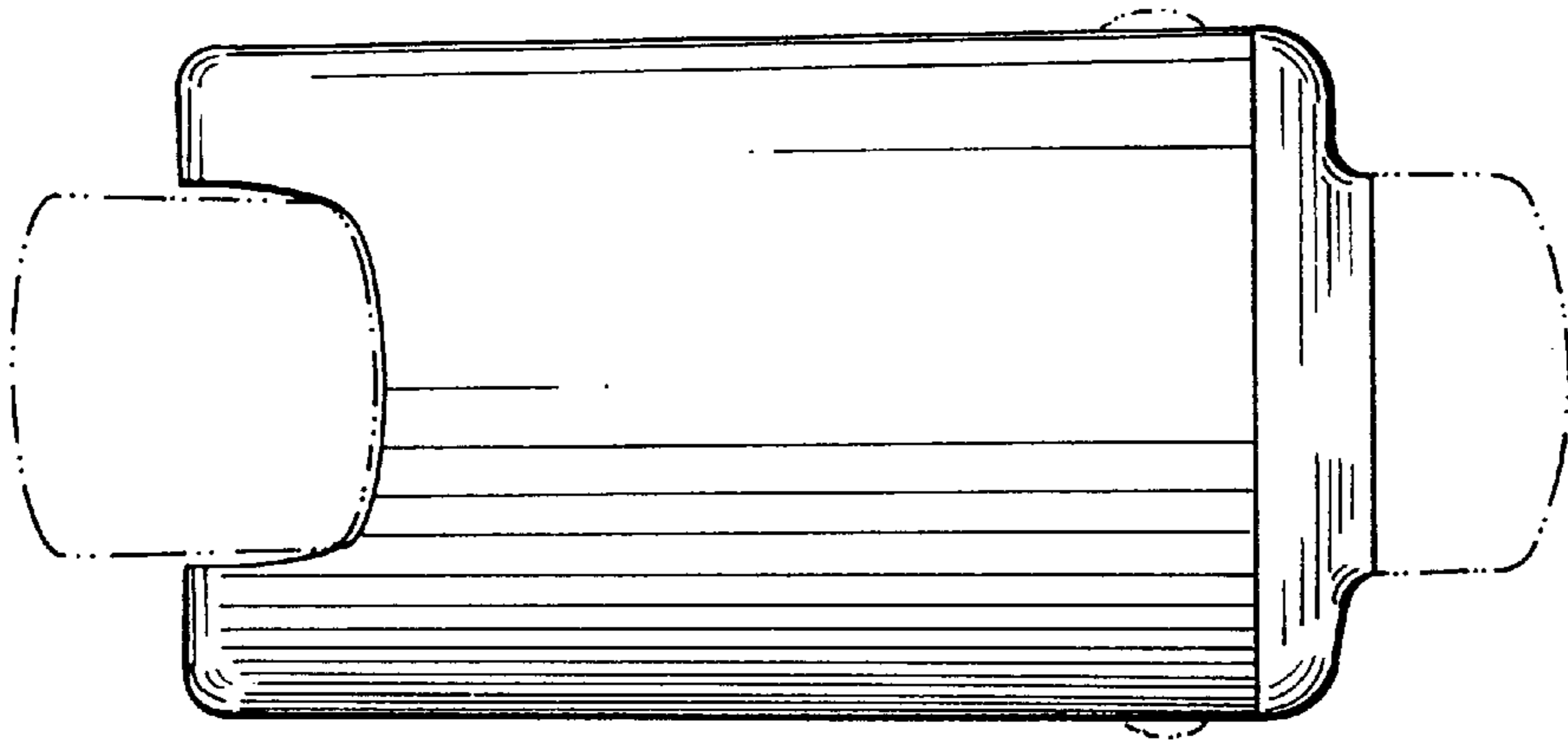
*Fig. 1*

*Fig. 2*

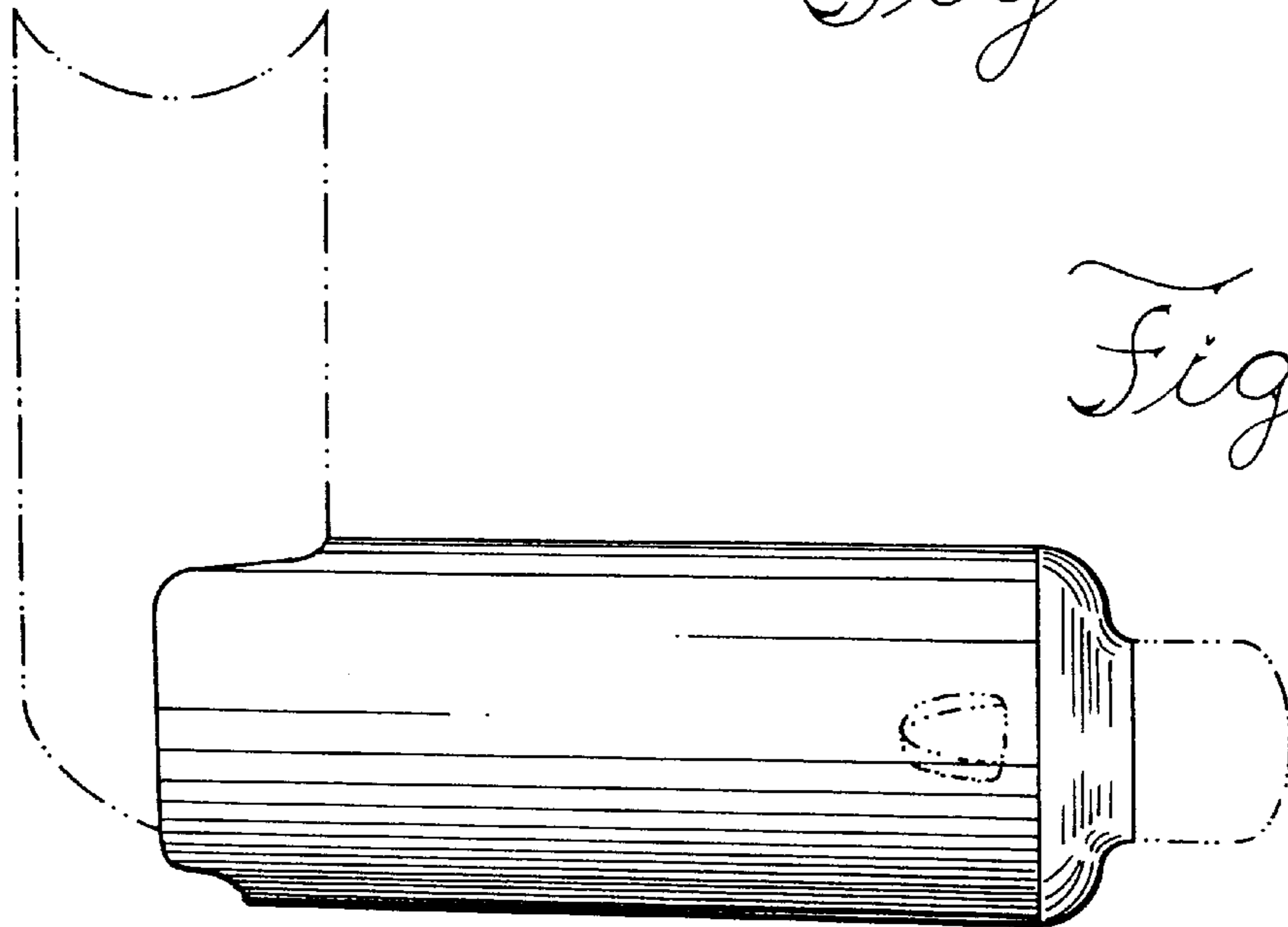


*Fig. 3*

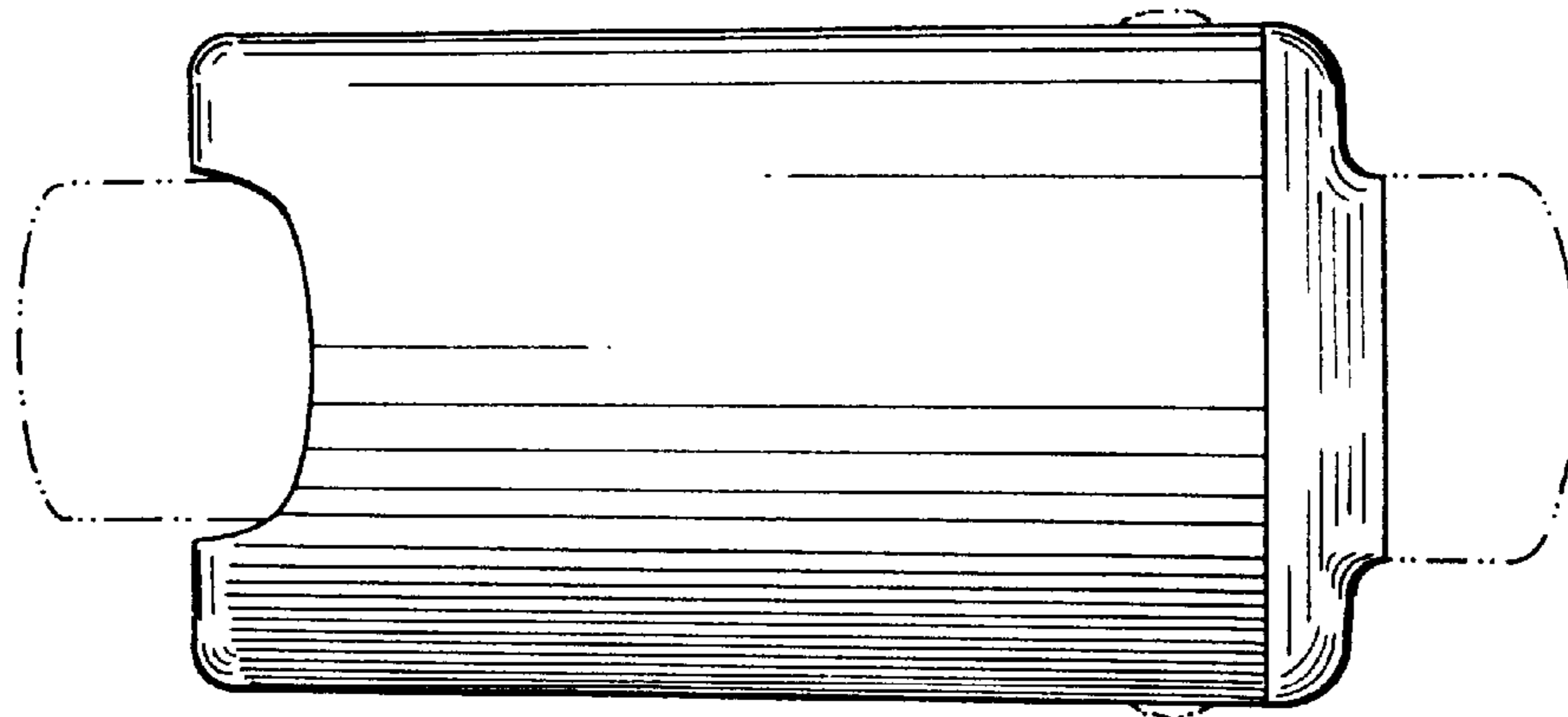




*Fig. 4*



*Fig. 5*



*Fig. 6*