



US00D480137S

(12) **United States Design Patent**
Nilsson et al.

(10) **Patent No.:** **US D480,137 S**

(45) **Date of Patent:** **** Sep. 30, 2003**

(54) **COLUMN FOR ELIMINATION OF PLASMA COMPONENTS**

D377,685 S * 1/1997 Sibinga et al. D24/108
D431,650 S * 10/2000 Guala et al. D24/129

(75) Inventors: **Kurt Nilsson, Lund (SE); Lars-Åke Larsson, Lund (SE)**

* cited by examiner

Primary Examiner—Ian Simmons

(73) Assignee: **Glycorex Transplantation AB, Lund (SE)**

(74) *Attorney, Agent, or Firm*—Smith, Gambrell & Russell, LLP

(**) Term: **14 Years**

(57) **CLAIM**

The ornamental design for a column for elimination of plasma components, as shown and described.

(21) Appl. No.: **29/159,636**

DESCRIPTION

(22) Filed: **Apr. 26, 2002**

(51) **LOC (7) Cl.** **24-01**

(52) **U.S. Cl.** **D24/108**

(58) **Field of Search** D24/108, 129,
D24/169, 162; 604/609, 5.01, 4.01, 6.05,
6.01, 6.04, 6.16

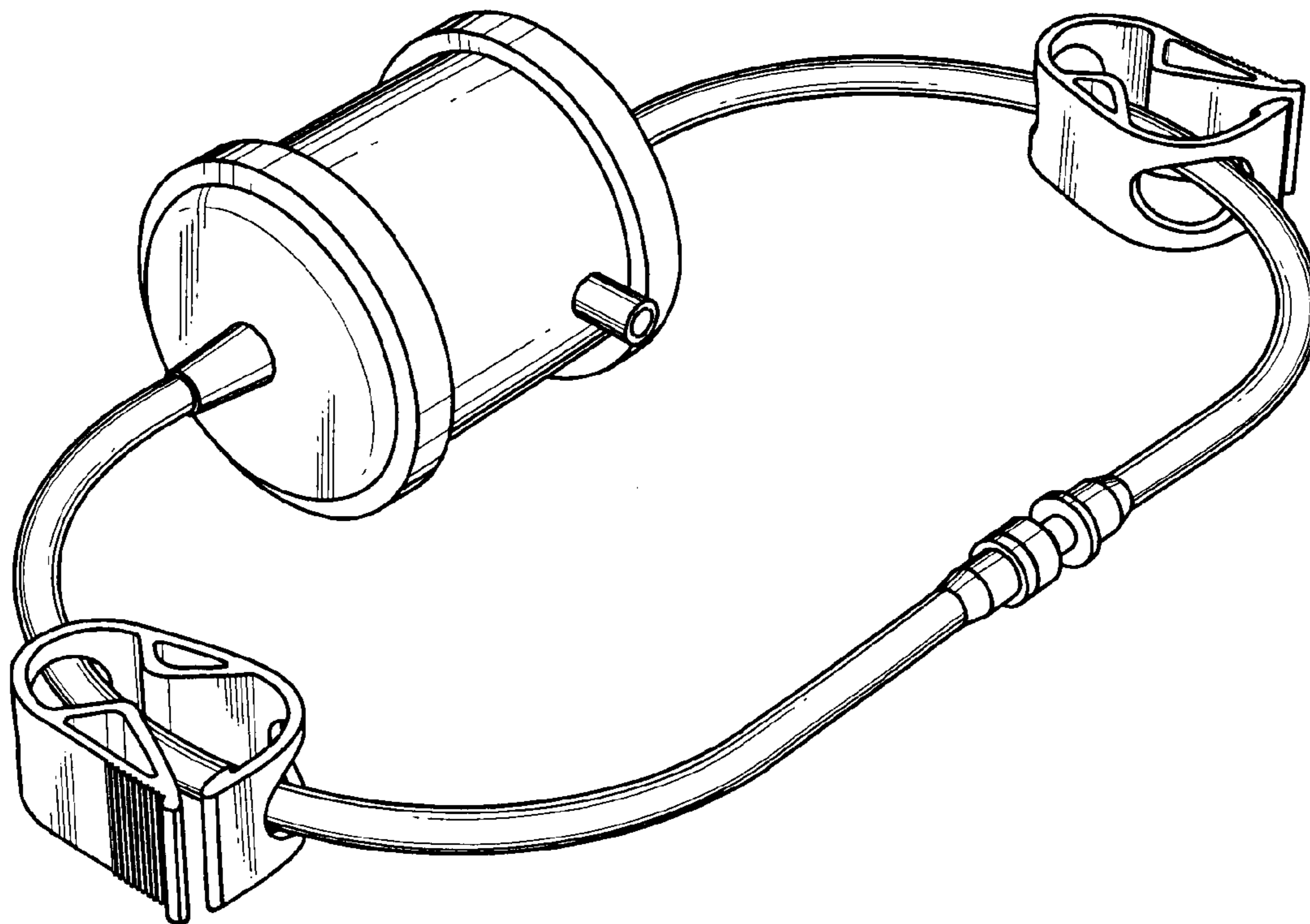
FIG. 1 is a perspective view of a column embodying the present invention, as viewed from a bottom side;
FIG. 2 is a perspective view thereof, as viewed from a top side;
FIG. 3 is a top plan view thereof;
FIG. 4 is a side view thereof;
FIG. 5 is a front view thereof;
FIG. 6 is a bottom plan view thereof;
FIG. 7 is a rear view thereof; and,
FIG. 8 is a side view taken from the opposite side from FIG. 4.

(56) **References Cited**

U.S. PATENT DOCUMENTS

4,490,254 A * 12/1984 Gordon et al. D24/162
4,790,567 A * 12/1988 Kawano et al. 604/6.04
5,358,482 A * 10/1994 Panzani 604/6.05

1 Claim, 3 Drawing Sheets



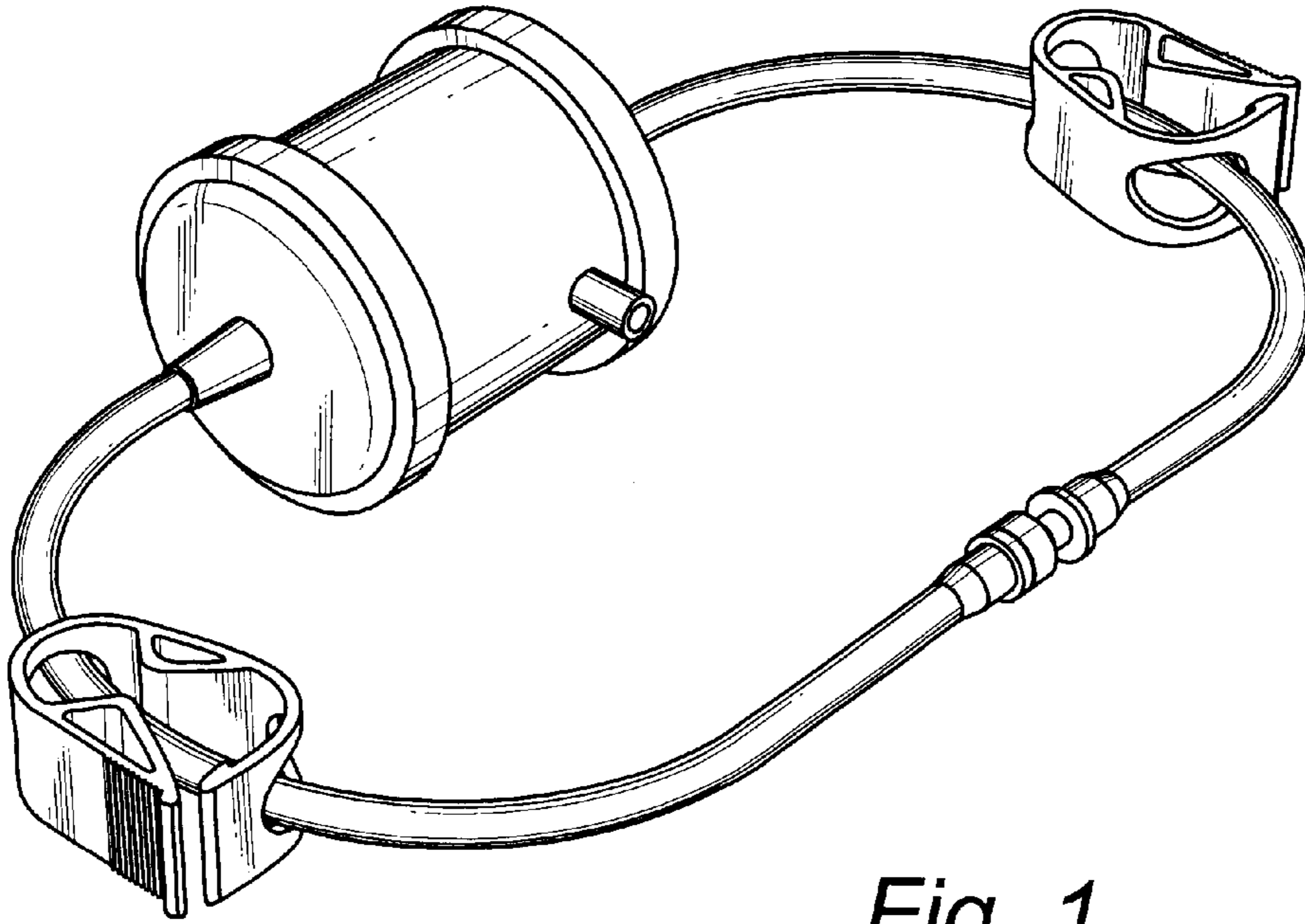


Fig. 1

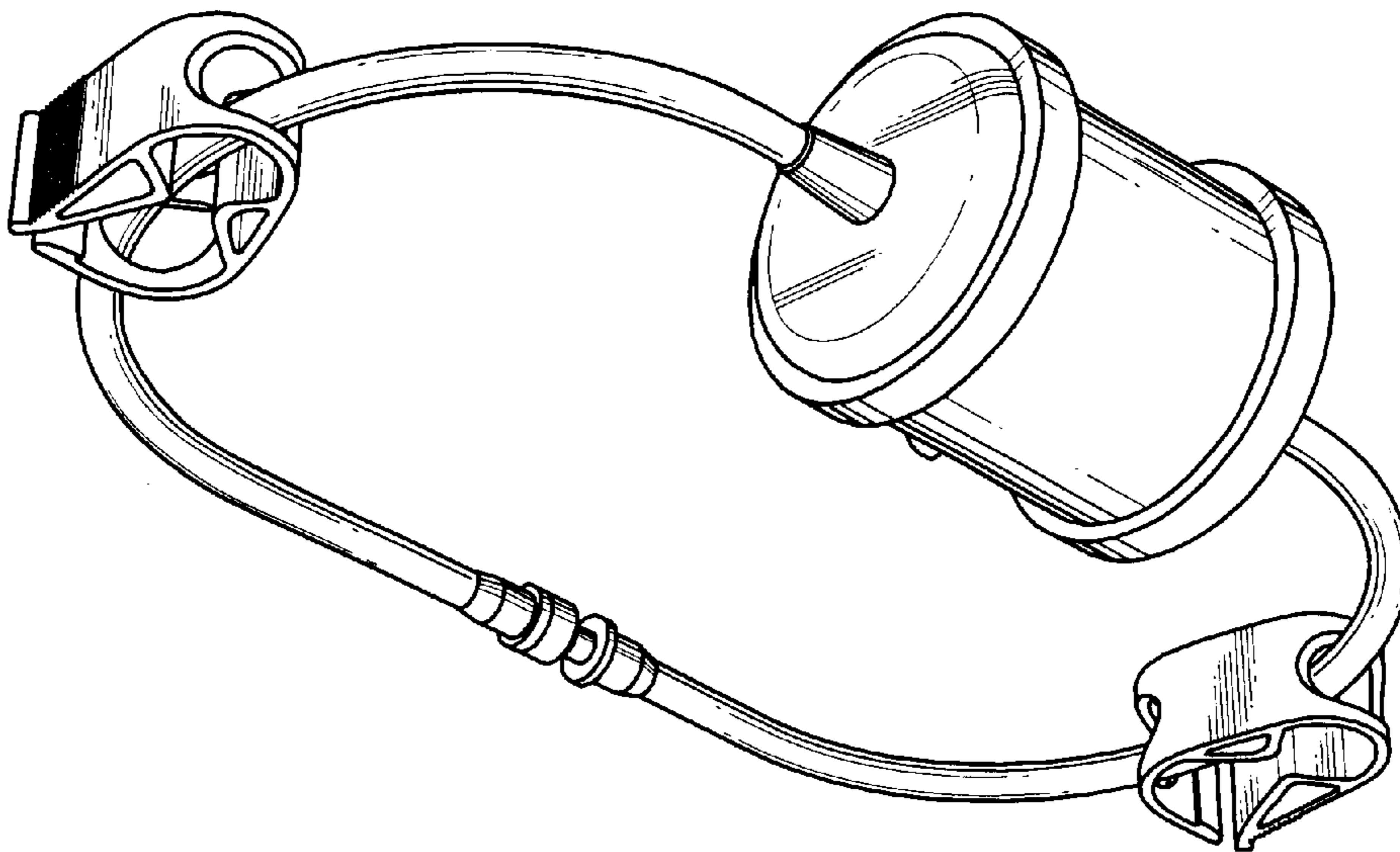


Fig. 2

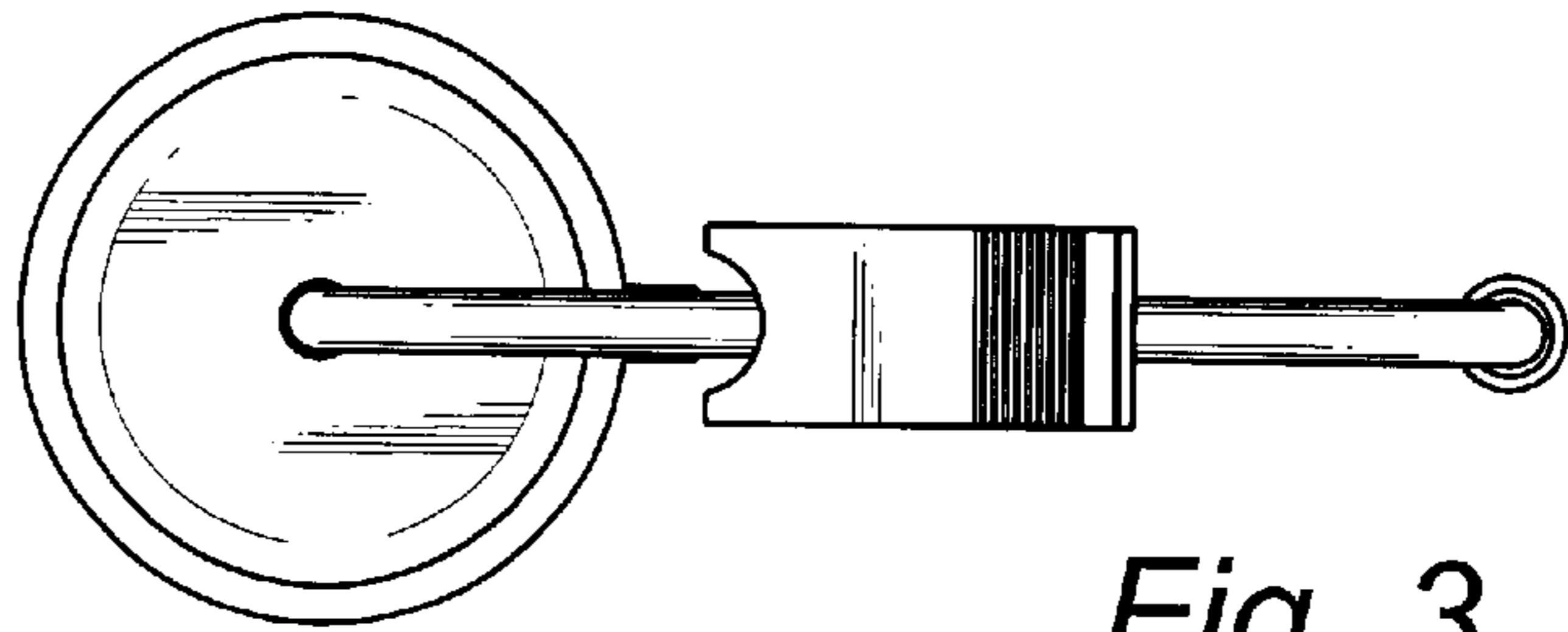


Fig. 3

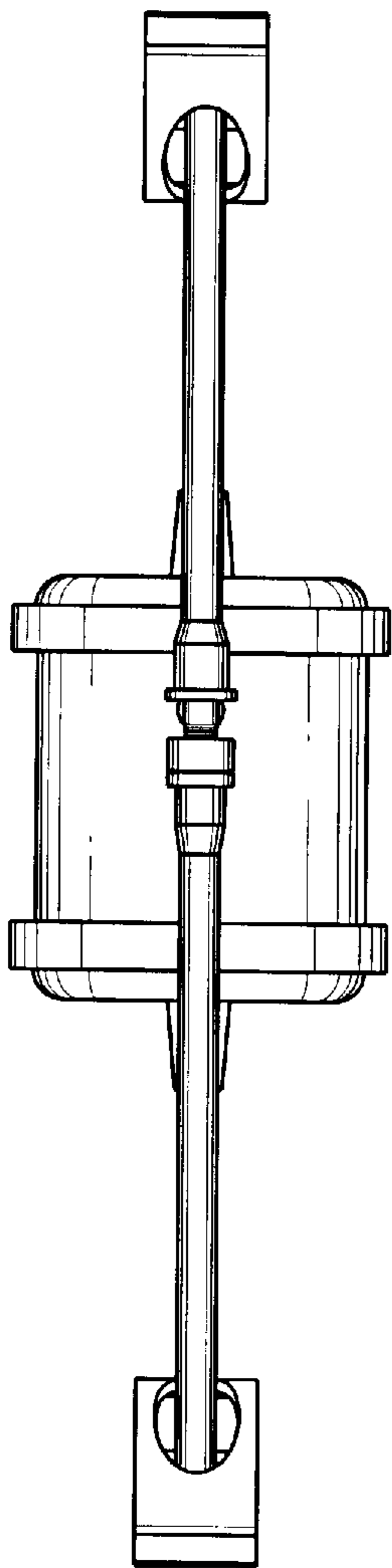


Fig. 4

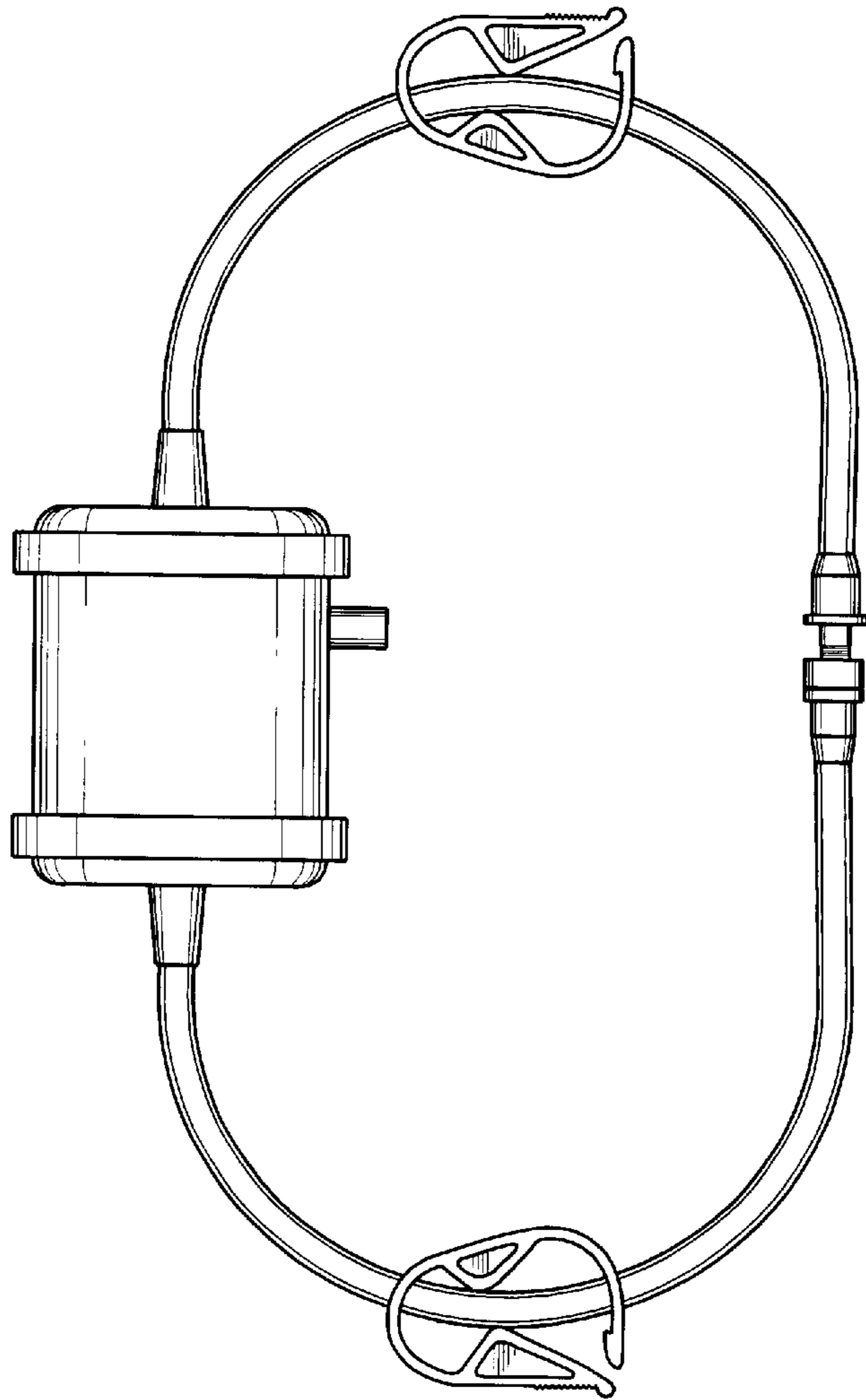


Fig. 5

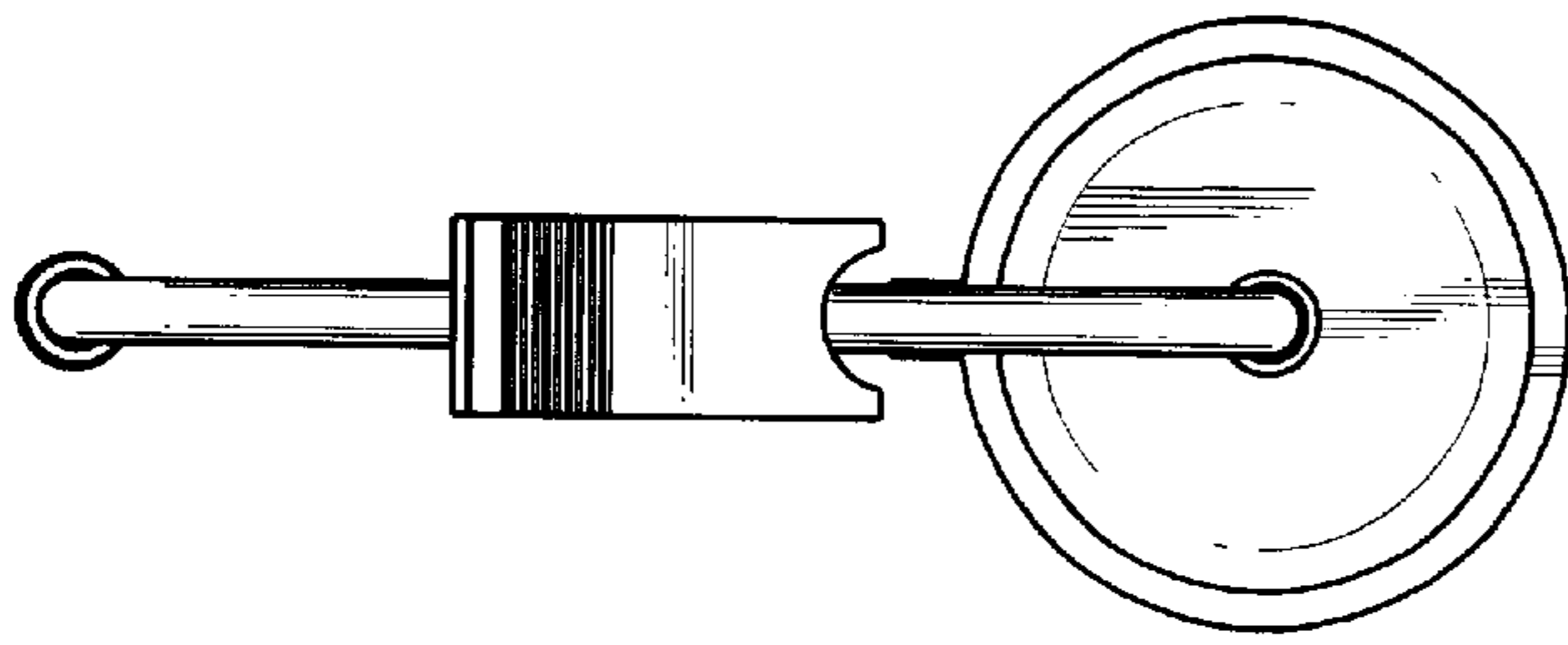


Fig. 6

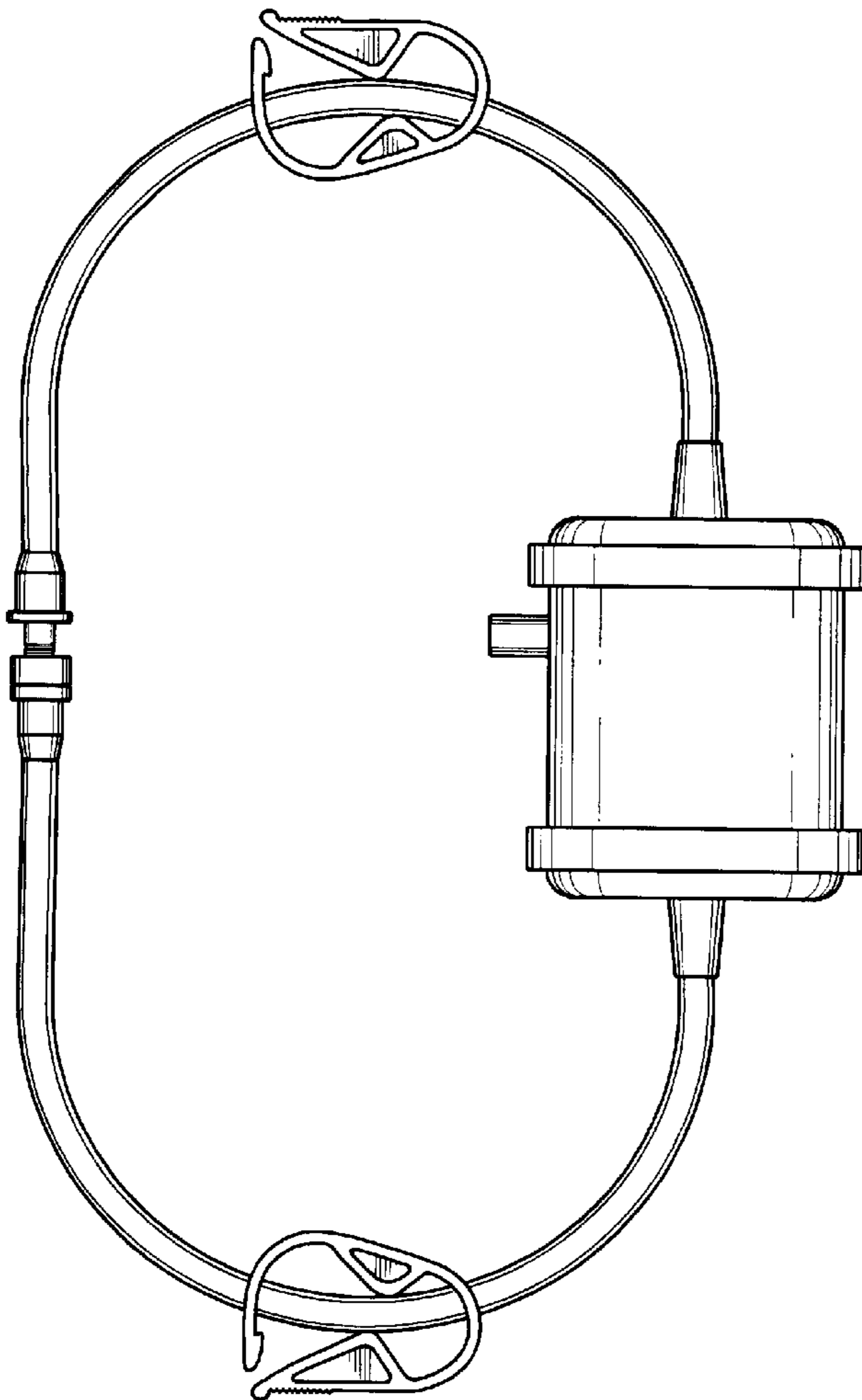


Fig. 7

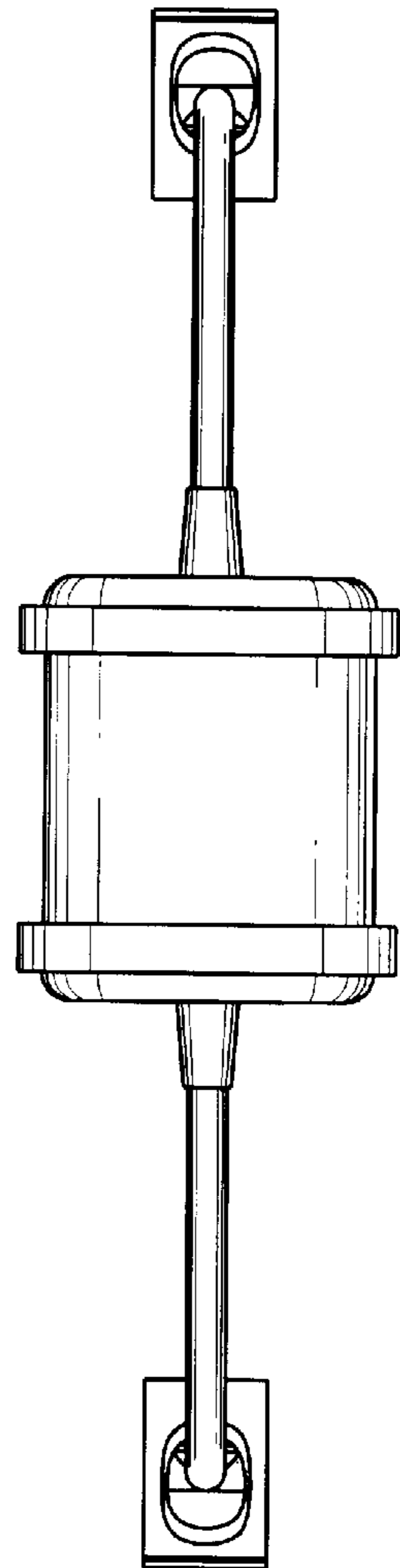


Fig. 8