



US00D480132S

(12) **United States Design Patent**
Stout, Jr.

(10) **Patent No.:** **US D480,132 S**

(45) **Date of Patent:** **** Sep. 30, 2003**

(54) **REDUCER WITH AN INDENTED END**

(75) Inventor: **William K. Stout, Jr.**, Mason, OH (US)

(73) Assignee: **Eastern Sheet Metal LLC**, Cincinnati, OH (US)

(**) Term: **14 Years**

(21) Appl. No.: **29/138,786**

(22) Filed: **Mar. 20, 2001**

(51) **LOC (7) Cl.** **23-04**

(52) **U.S. Cl.** **D23/393**

(58) **Field of Search** D23/259, 262, D23/263, 266, 386, 387, 391, 393, 394; 138/111-117, DIG. 4, DIG. 11, 177, 167, 169; 285/47, 123.15, 123.16, 110, 374, 347, 232-234, 123.1, 123.3-123.7, 123.9, 148.18, 148.22, 148.23, 148.24, 148.25, 179, 179.2, 181, 183, 332, 332.1, 334.5, 399, 189, 424; 454/228-236, 243, 903, 906, 270; 126/307 R, 312, 307 A, 314-317

(56) **References Cited**

U.S. PATENT DOCUMENTS

D25,709 S 6/1896 Pratt
1,301,096 A * 4/1919 Brockest 285/334.4

(List continued on next page.)

FOREIGN PATENT DOCUMENTS

DE 2840962 4/1979
DK 150025 B 11/1986

(List continued on next page.)

OTHER PUBLICATIONS

Hallstroms Verkstader 2 page advertisement and an English translation of portions thereof. Mar. 21, 2000.

(List continued on next page.)

Primary Examiner—Ted Shooman

Assistant Examiner—C Tuttle

(74) *Attorney, Agent, or Firm*—Dinsmore & Shohl LLP

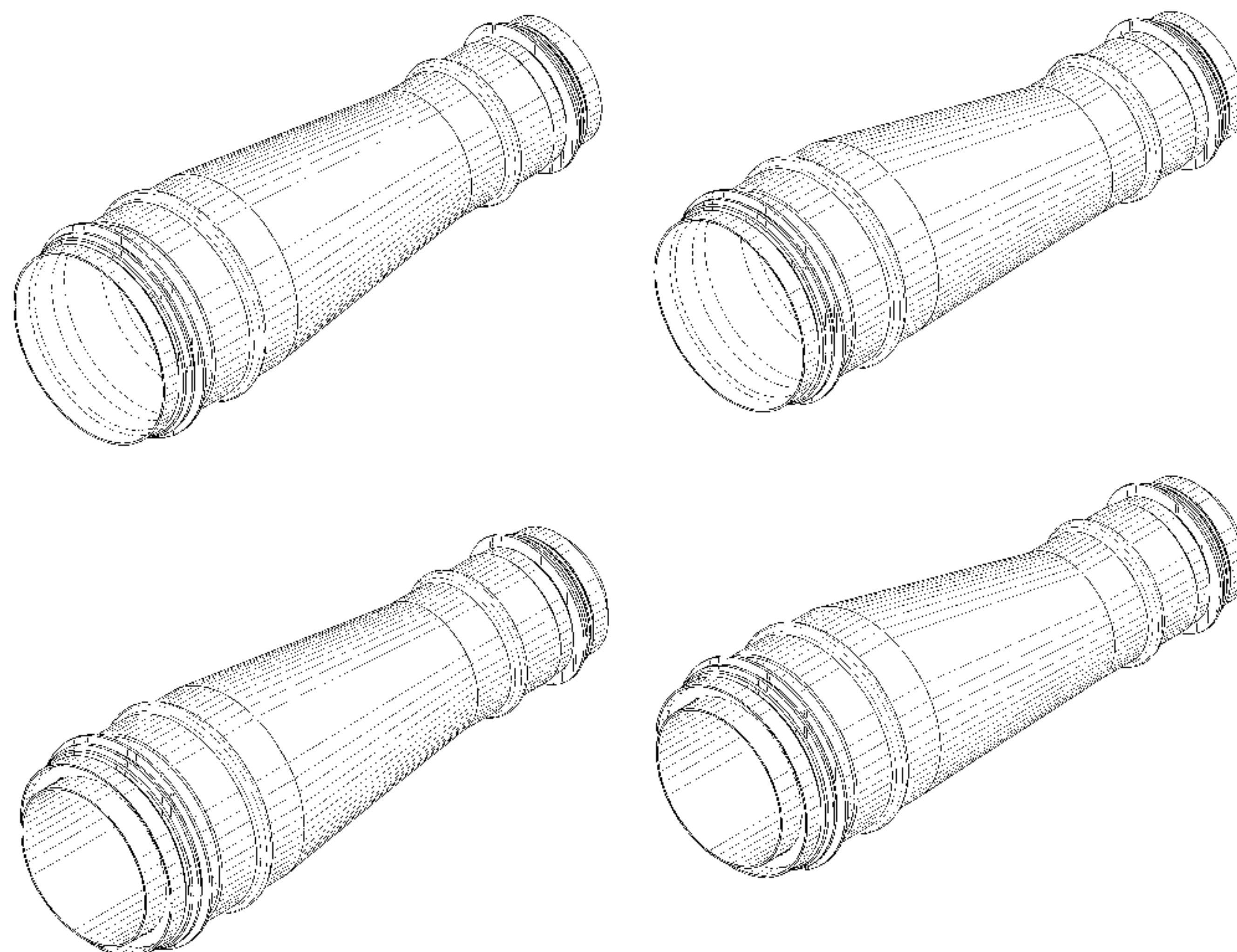
(57) **CLAIM**

The ornamental design for a reducer with an indented end, as shown and described.

DESCRIPTION

FIG. 1 is a front elevational view of a first embodiment of the reducer with an indented end; the rear elevational, top and bottom views being identical to FIG. 1; FIG. 2 is a front perspective view of the reducer of FIG. 1; FIG. 3 is a left end view of the reducer of FIG. 1; FIG. 4 is a right end view of the reducer of FIG. 1; FIG. 5 is a front elevational view of a second embodiment of the reducer with an indented end; the rear elevational, top and bottom views being identical to FIG. 5; FIG. 6 is a front perspective view of the reducer of FIG. 5; FIG. 7 is a left end view of the reducer of FIG. 5; FIG. 8 is a right end view of the reducer of FIG. 5; FIG. 9 is a front elevational view of a third embodiment of the reducer with an indented end; the rear elevational view being a mirror image of FIG. 9; FIG. 10 is a front perspective view of the reducer of FIG. 9; FIG. 11 is a left end view of the reducer of FIG. 9; FIG. 12 is a right end view of the reducer of FIG. 9; FIG. 13 is a top view of the reducer of FIG. 9; FIG. 14 is a bottom view of the reducer of FIG. 9; FIG. 15 is a front elevational view of a fourth embodiment of the reducer with an indented end; the rear elevational view being a mirror image of FIG. 15; FIG. 16 is a front perspective view of the reducer of FIG. 15; FIG. 17 is a left end view of the reducer of FIG. 15; FIG. 18 is a right end view of the reducer of FIG. 15; FIG. 19 is a top view of the reducer of FIG. 15; and, FIG. 20 is a bottom view of the reducer of FIG. 15. The broken lines shown in FIGS. 2-4, 6-8, 10-12 and 16-18 are for illustrative purposes only and form no part of the claimed design.

1 Claim, 16 Drawing Sheets



US D480,132 S

Page 2

U.S. PATENT DOCUMENTS

1,565,918	A	12/1925	Fitzgerald	
1,570,974	A	1/1926	Stevens	
2,039,542	A	* 5/1936	Lindquist	285/133.3
2,314,386	A	3/1943	Brend	
2,544,108	A	3/1951	Richardson	
2,616,728	A	* 11/1952	Pitt	285/47
2,746,114	A	* 5/1956	Williams	24/389
2,930,635	A	3/1960	Woodling	
3,015,510	A	1/1962	Bates	
D234,847	S	4/1975	Hoffman	
3,955,834	A	5/1976	Ahlrot	
4,007,941	A	2/1977	Stancati	
4,050,703	A	9/1977	Tuvelsson et al.	
4,193,246	A	3/1980	Schiefer et al.	
4,216,981	A	8/1980	Jensen	
4,369,159	A	1/1983	Irmer	
4,418,943	A	* 12/1983	Ionna	285/12
D273,702	S	5/1984	Widerby et al.	
4,583,772	A	* 4/1986	Vassallo et al.	285/347
4,664,421	A	5/1987	Jones	
4,941,693	A	* 7/1990	Spaude et al.	285/331
5,390,961	A	* 2/1995	Guthrie	385/41
5,405,174	A	4/1995	Sondén et al.	
5,407,122	A	4/1995	Stefansson et al.	
D360,018	S	7/1995	Sondén et al.	
D360,019	S	7/1995	Sondén et al.	
D360,020	S	7/1995	Sondén et al.	
D360,021	S	7/1995	Sondén et al.	
D361,829	S	8/1995	Sondén et al.	
D362,299	S	9/1995	Sondén et al.	
D362,300	S	9/1995	Sondén et al.	
5,452,922	A	* 9/1995	Ziu	285/123.1
D363,115	S	10/1995	Lennartsson	
5,473,815	A	12/1995	Sonden et al.	
D367,316	S	2/1996	Sondén et al.	
D368,304	S	3/1996	Morrison	
5,531,460	A	7/1996	Stefansson et al.	
D377,829	S	2/1997	Andresen	
5,599,600	A	2/1997	Rau	
5,649,662	A	7/1997	Krichau et al.	
D383,053	S	9/1997	Schrader et al.	
D383,195	S	9/1997	Sondén et al.	
D383,196	S	9/1997	Sondén et al.	
D386,246	S	11/1997	Sondén et al.	
D402,354	S	12/1998	Strong et al.	
D407,802	S	4/1999	Hatfield et al.	
D427,667	S	7/2000	Stout, Jr.	
D427,668	S	7/2000	Stout, Jr.	
D427,673	S	7/2000	Stout, Jr.	
D430,482	S	9/2000	Stout, Jr.	
D435,090	S	12/2000	Stout, Jr.	
D437,034	S	1/2001	Stout, Jr.	
6,170,883	B1	1/2001	Mattssön et al.	
6,220,303	B1	* 4/2001	Secher et al.	138/110
D447,223	S	8/2001	Mattsson et al.	
D454,949	S	3/2002	Mattsson et al.	
D456,071	S	4/2002	Mattsson et al.	
D456,072	S	4/2002	Mattsson et al.	

D461,887 S 8/2002 Mattsson et al.
6,431,609 B1 8/2002 Andersson

FOREIGN PATENT DOCUMENTS

EP	092881	A2	11/1983
EP	0273221	B1	7/1988
EP	0389462	A1	9/1990
EP	0758066	B1	2/1997
FR	2015241		4/1970
GB	1587018		3/1981
IT	1285018		3/1998
NO	174861		4/1994
SE	13987		1/1974
SE	17788		4/1976
SE	19819		4/1977
SE	25473		4/1980
SE	25610		4/1980
SE	26059		7/1980
SE	26995		12/1980
WO	WO 9415133		7/1994

OTHER PUBLICATIONS

“Sistema Di Tenuta Ring”, Issued by Climovent System, an Italian Company; pp. 1–6 (Undated).
 “Veloduct” catalog 1997, ABB Ventilation Products AB, Division Veloduct.
Ducts and Fittings Product Brochure, Lindab Ltd., Northampton, Great Britain (undated), front and back covers and pp. 3–52.
 United States patent application Ser. No. 29/138,761.
 United States patent application Ser. No. 29/138,838.
 United States patent application Ser. No. 29/138,820.
 United States patent application Ser. No. 29/138,847.
 United States patent application Ser. No. 29/138,785.
 United States patent application Ser. No. 29/138,839.
 United States patent application Ser. No. 29/138,830.
 United States patent application Ser. No. 29/138,819.
 United States patent application Ser. No. 29/138,818.
 United States patent application Ser. No. 29/138,782.
 United States patent application Ser. No. 29/138,790.
 United States patent application Ser. No. 29/138,783.
 United States patent application Ser. No. 29/138,771.
 United States patent application Ser. No. 29/138,760.
 United States patent application Ser. No. 29/138,836.
 United States patent application Ser. No. 29/138,764.
 United States patent application Ser. No. 29/138,668.
 United States patent application Ser. No. 29/138,772.
 United States patent application Ser. No. 29/138,784.
 United States patent application Ser. No. 29/138,781.
 United States patent application Ser. No. 29/138,842.
 United States patent application Ser. No. 29/138,837.
 United States patent application Ser. No. 29/138,763.
 United States patent application Ser. No. 29/138,829.
 United States patent application Ser. No. 29/138,762.

* cited by examiner

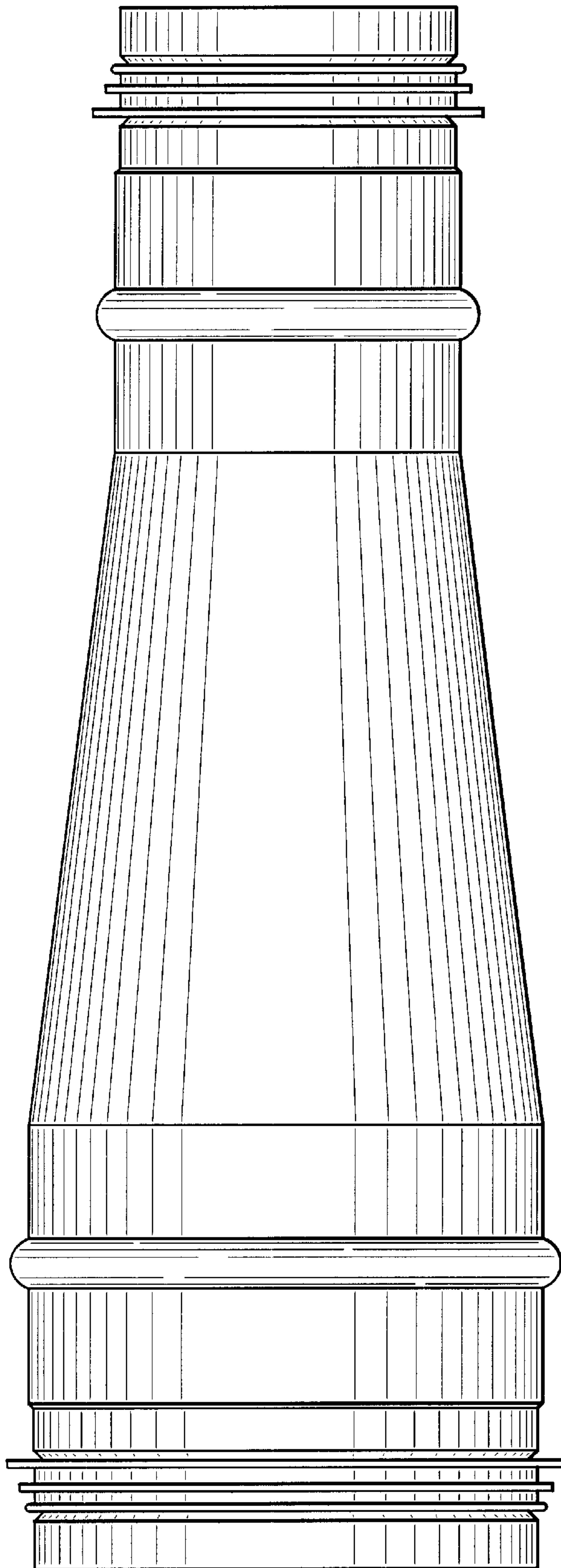


FIG. 1

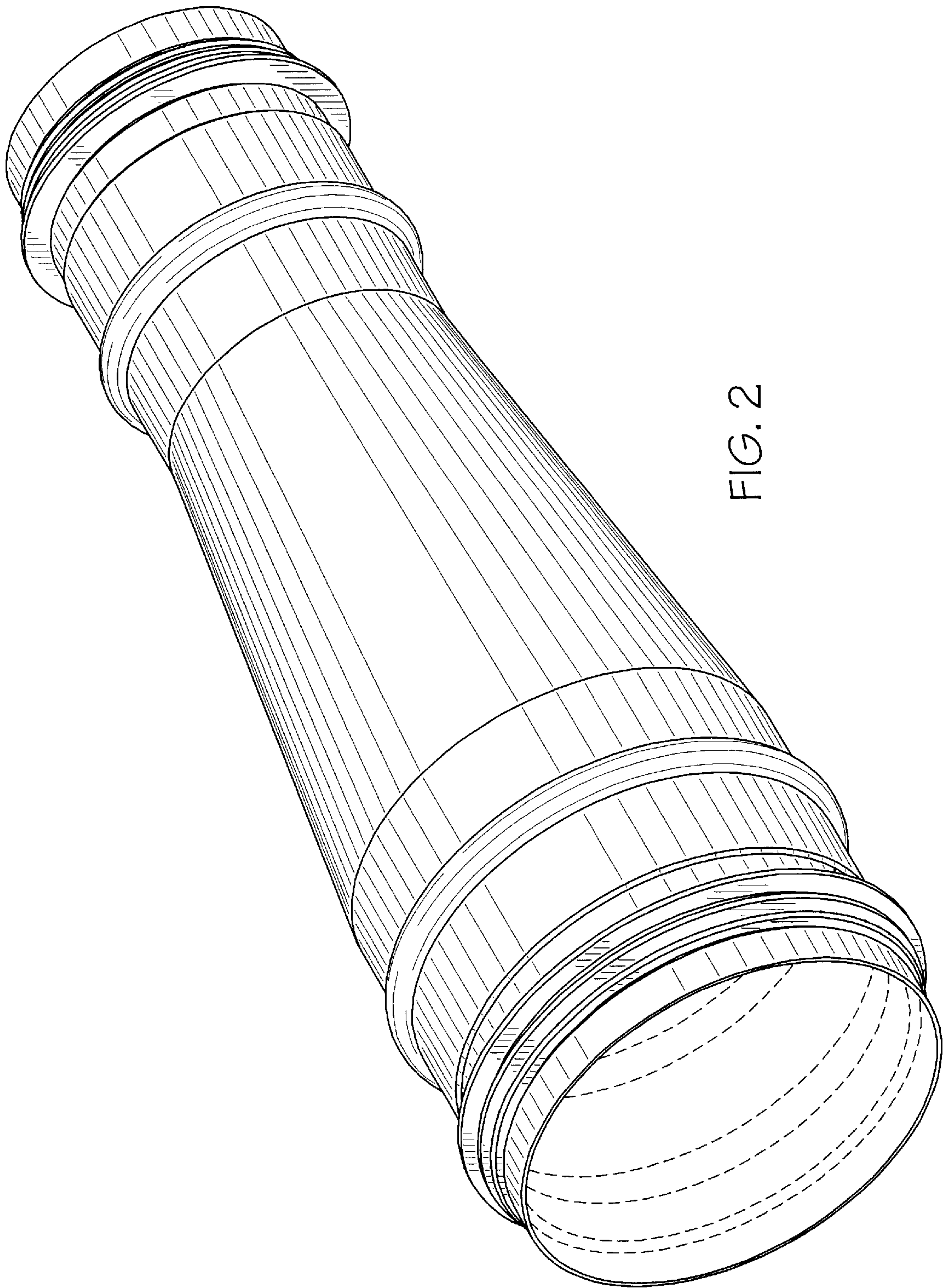


FIG. 2

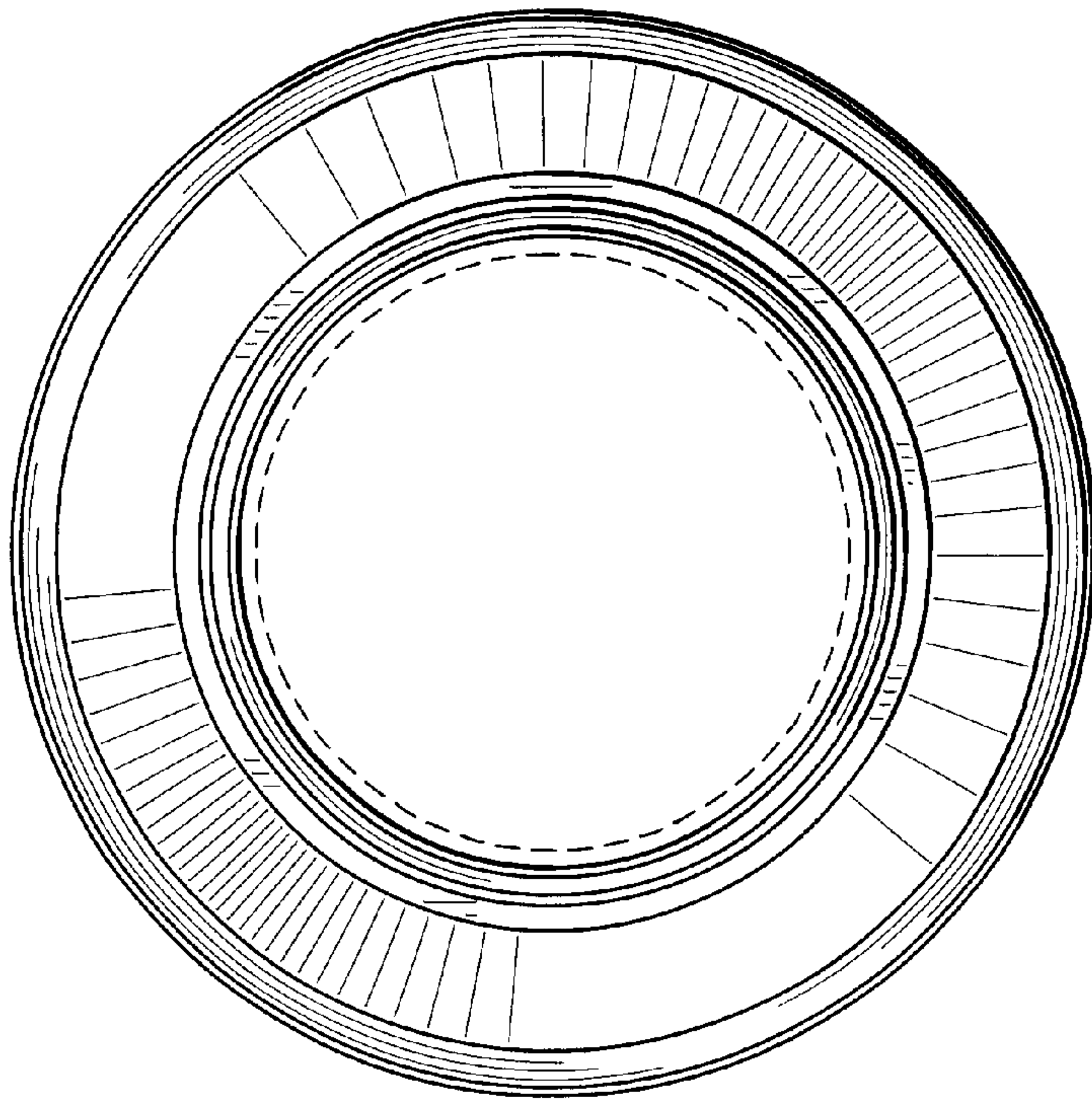


FIG. 4

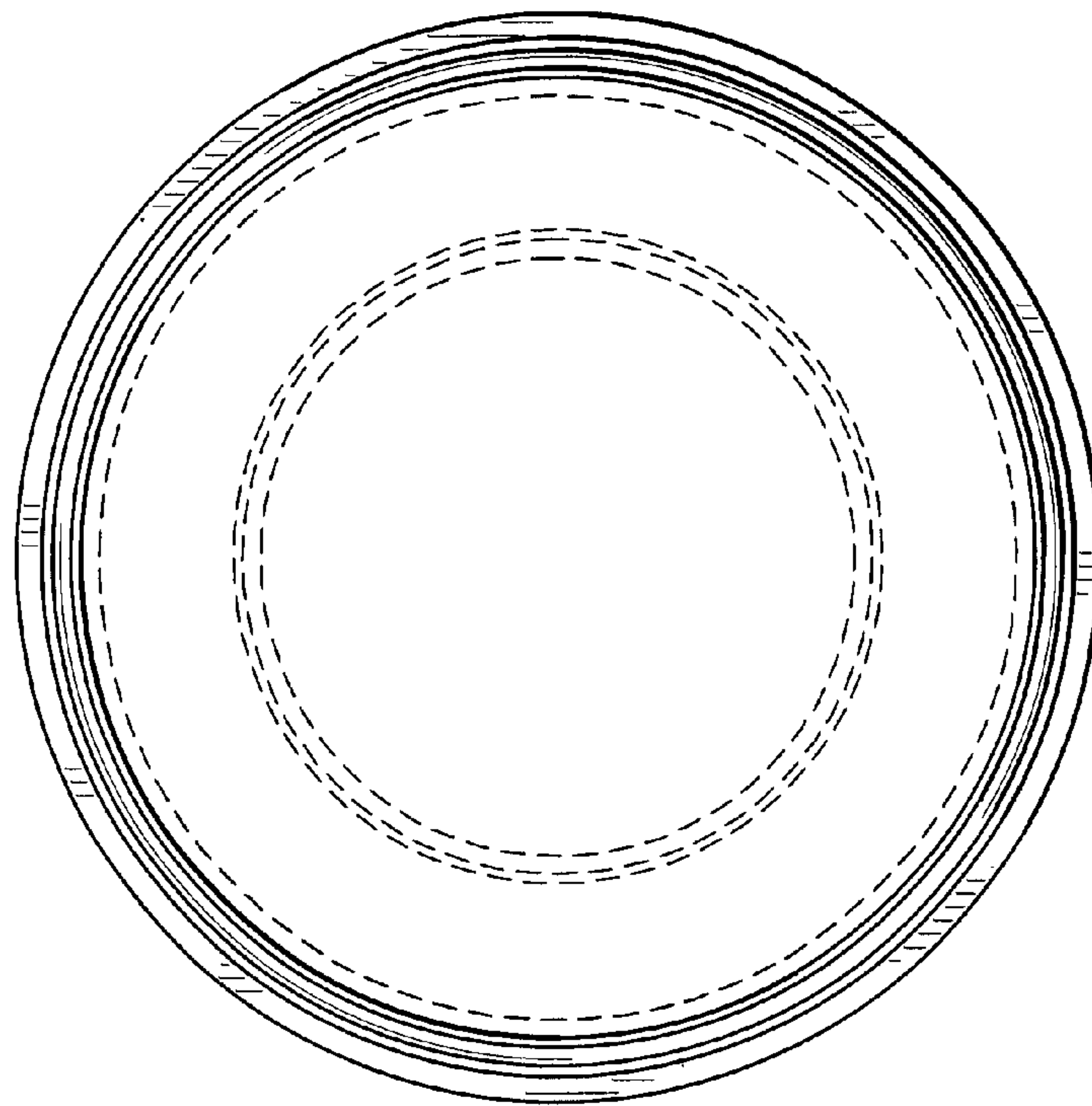


FIG. 3

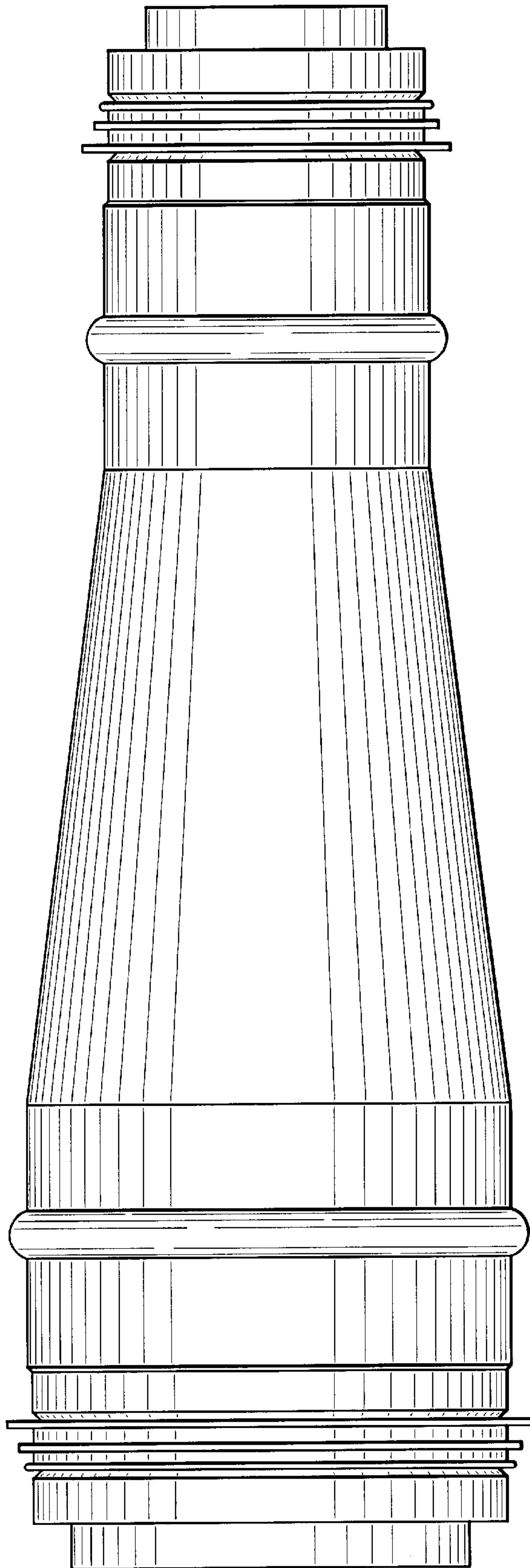


FIG. 5

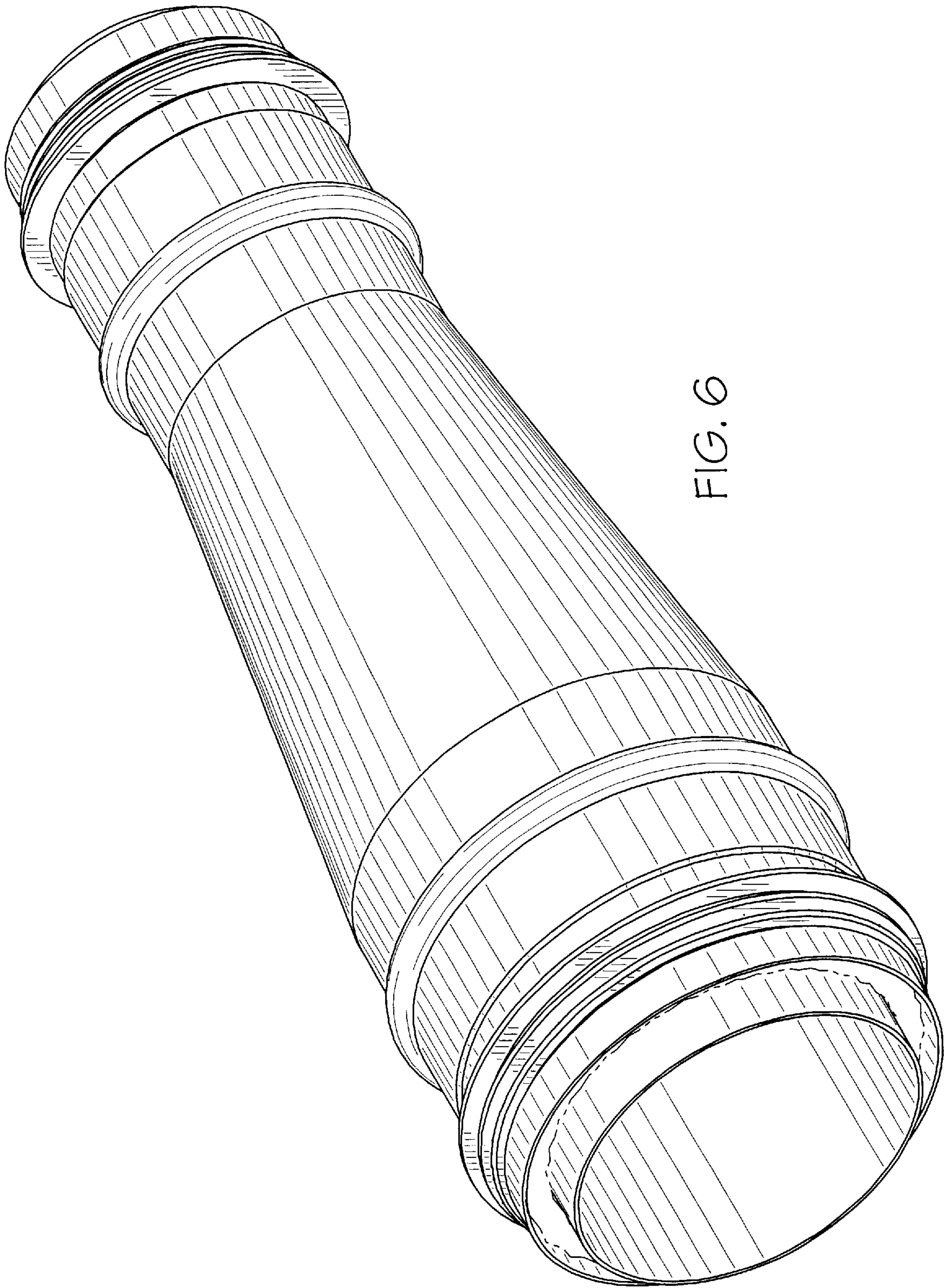


FIG. 6

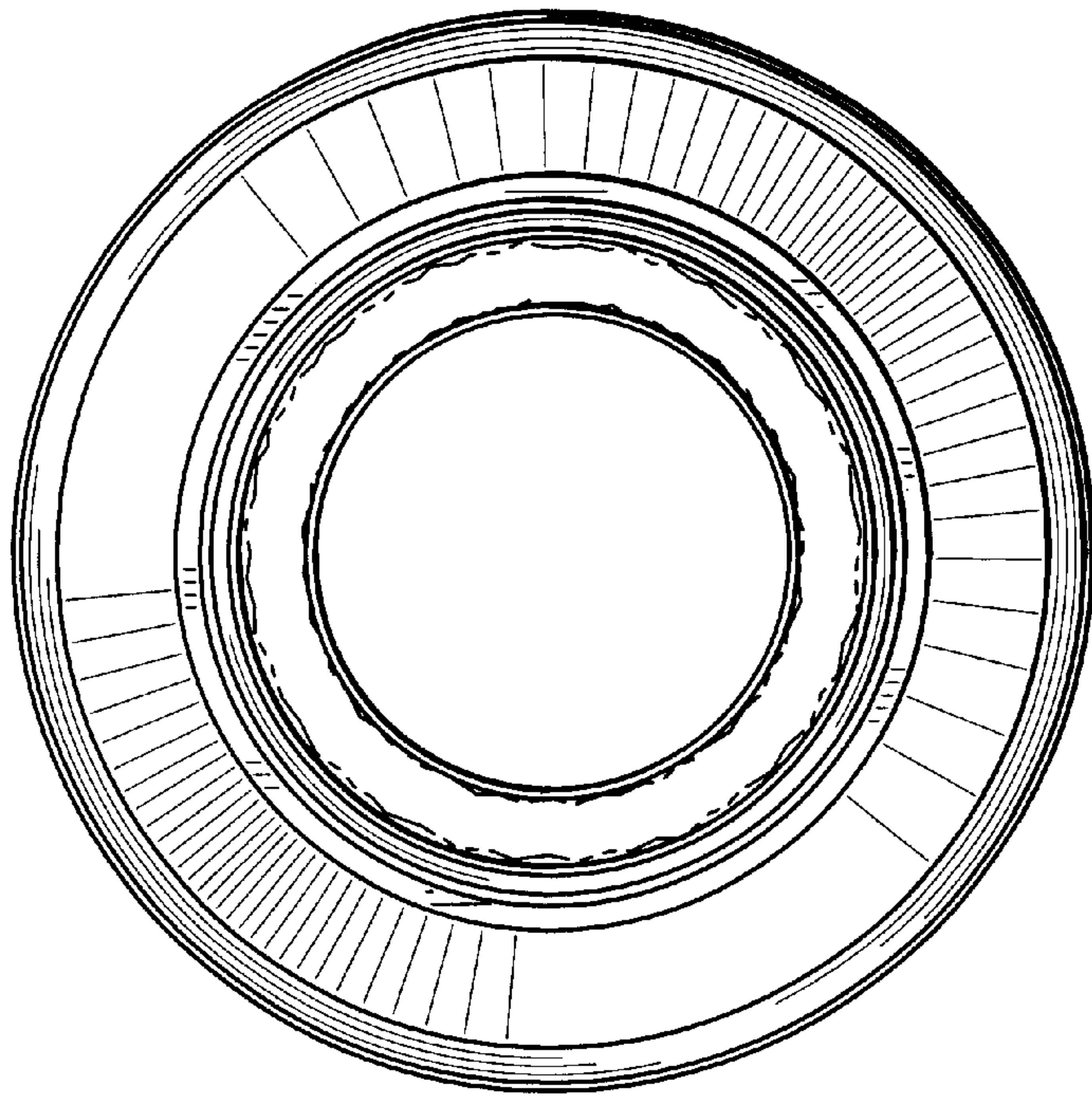


FIG. 8

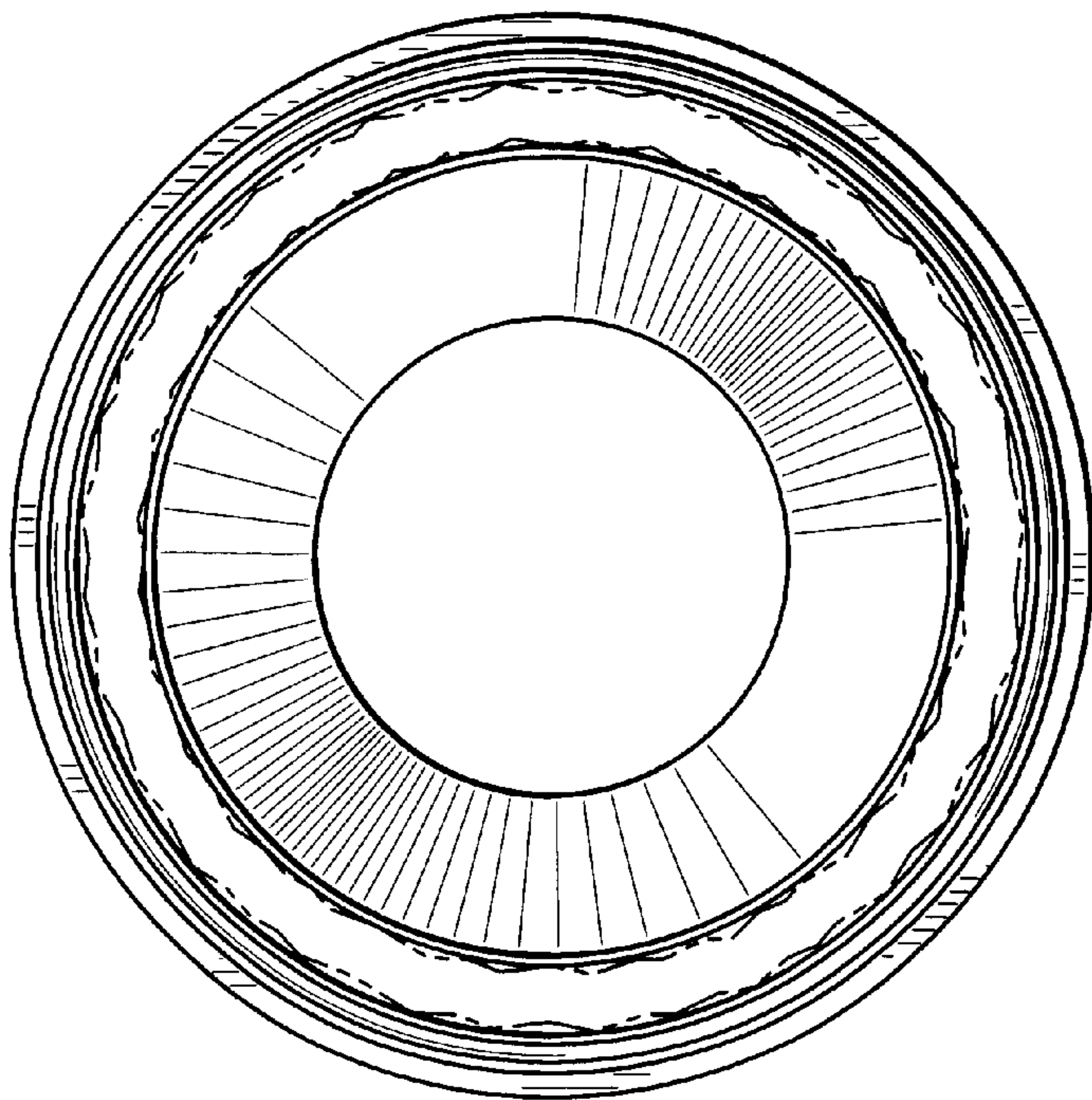


FIG. 7

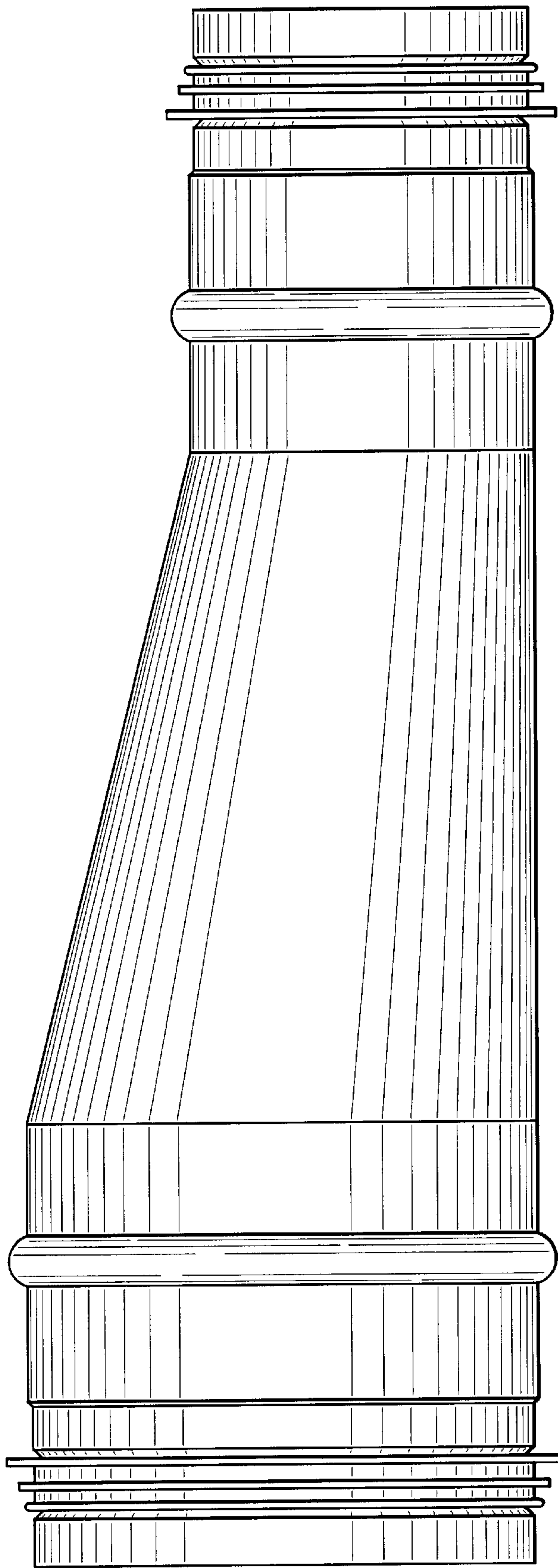


FIG. 9

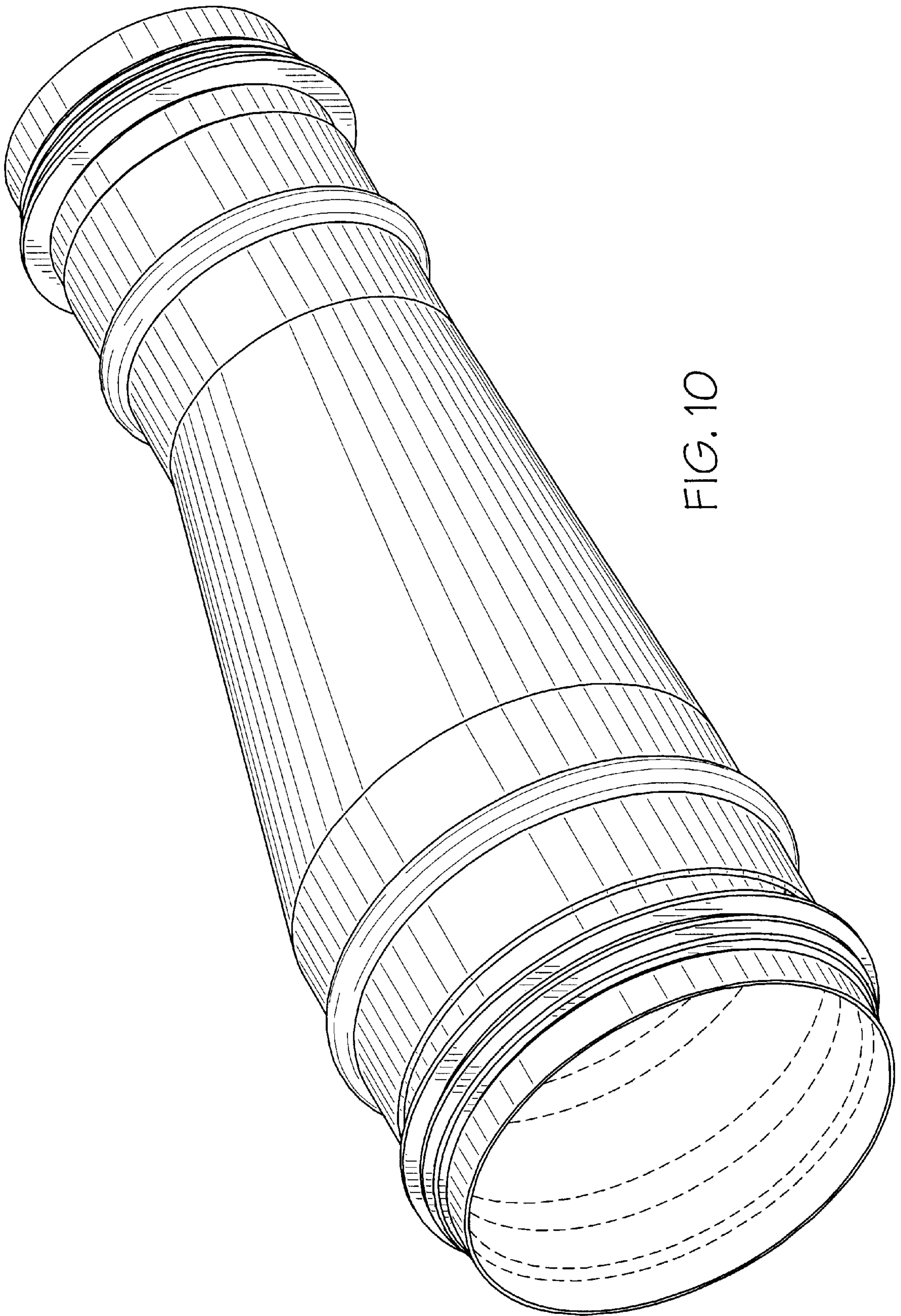


FIG. 10

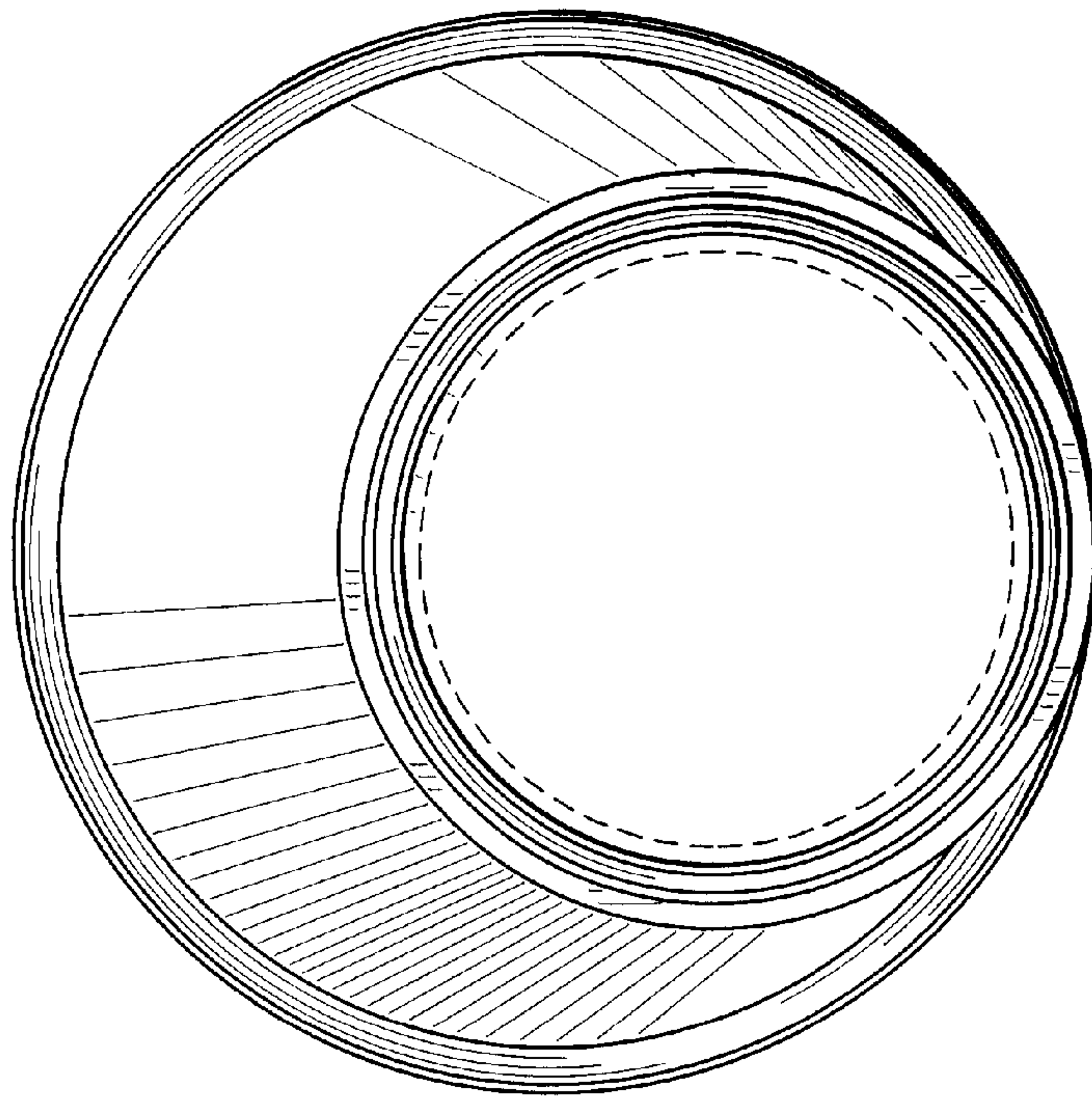


FIG. 12

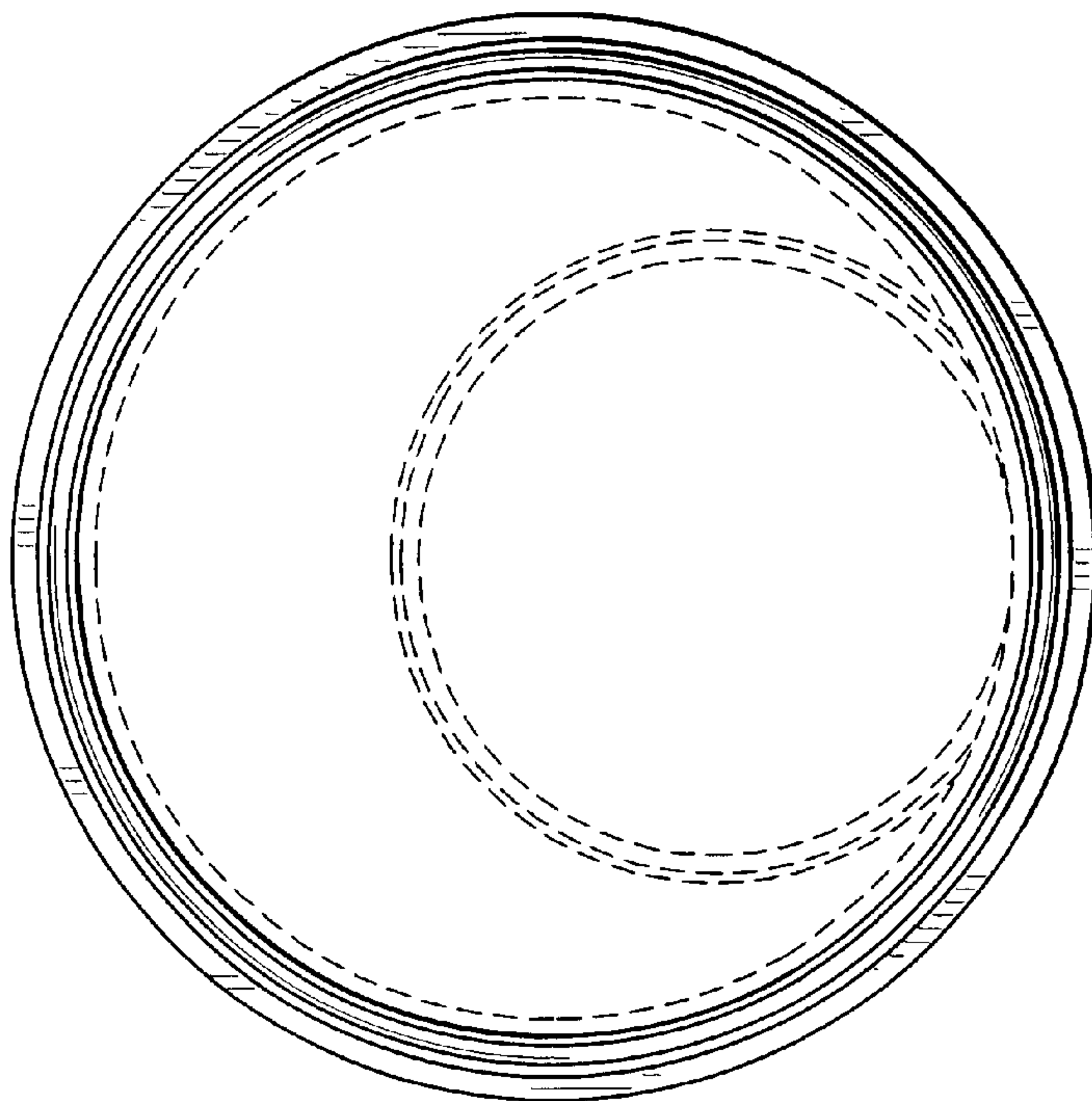


FIG. 11

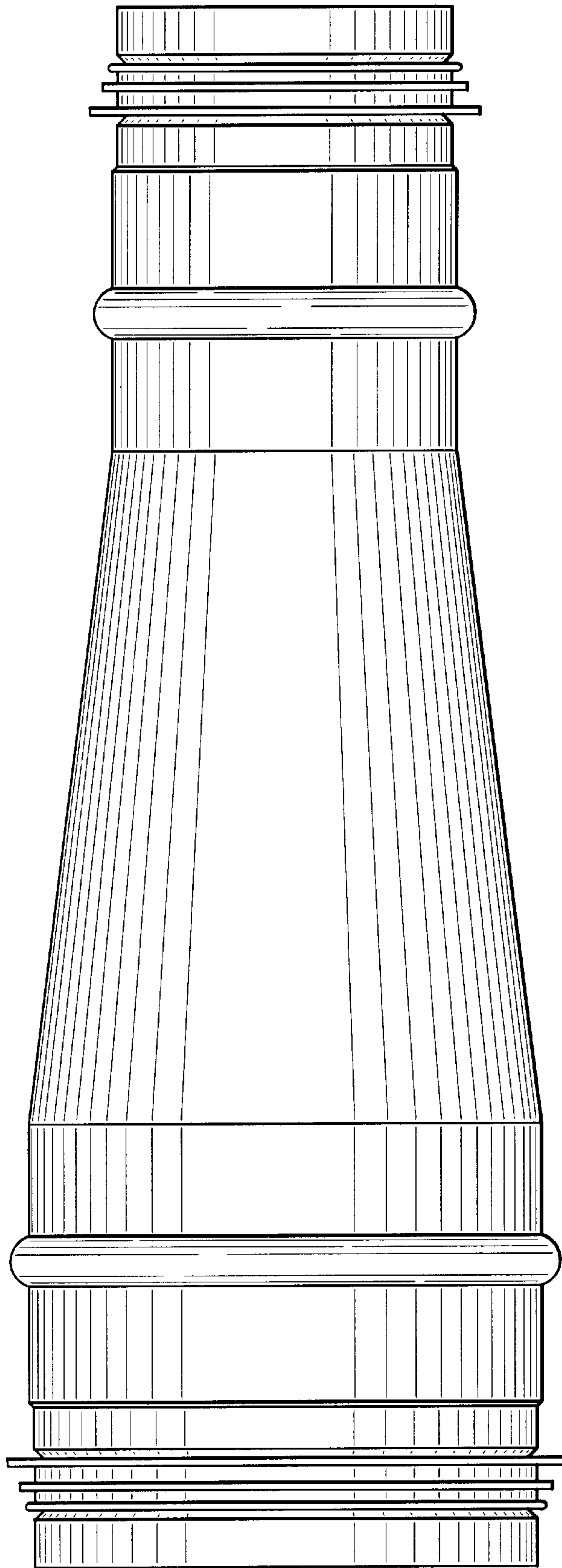


FIG. 13

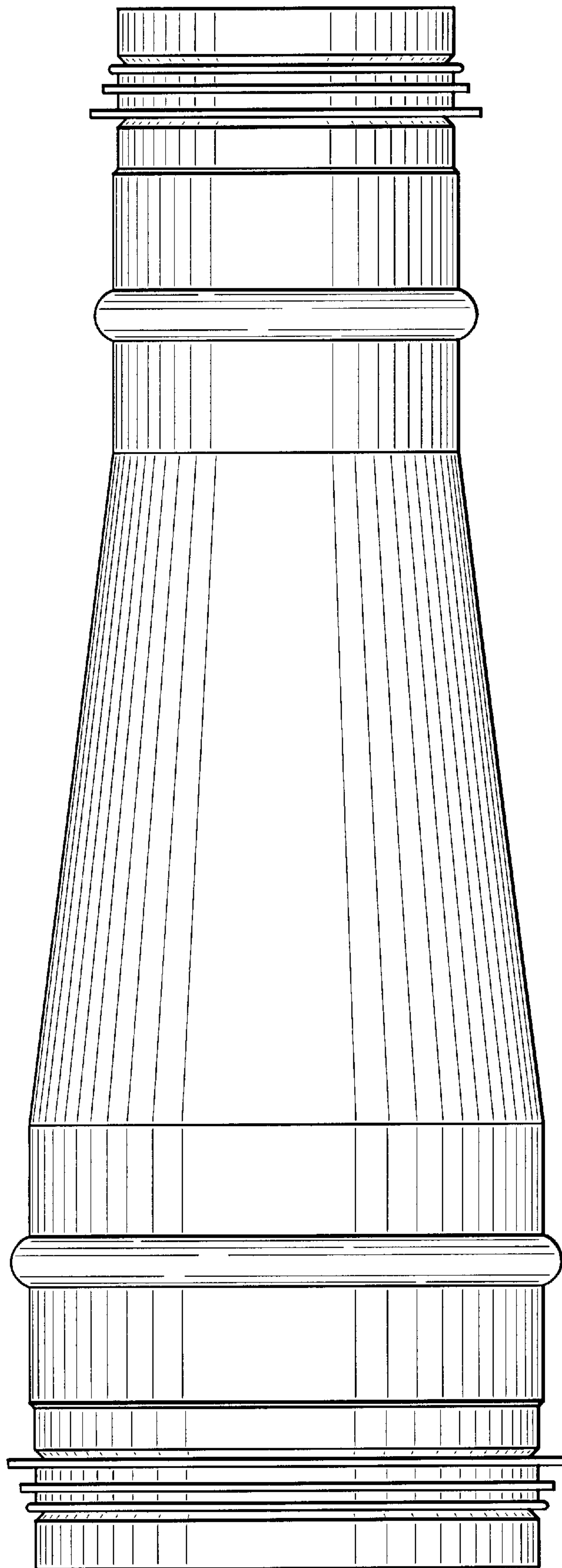


FIG. 14

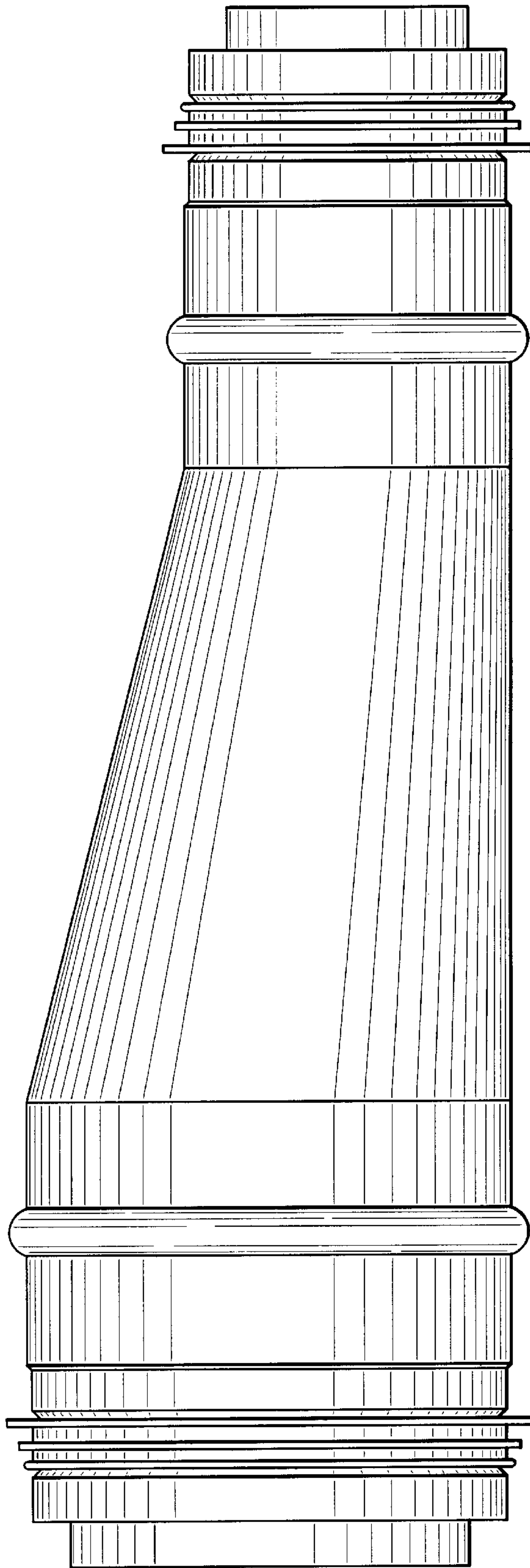


FIG. 15

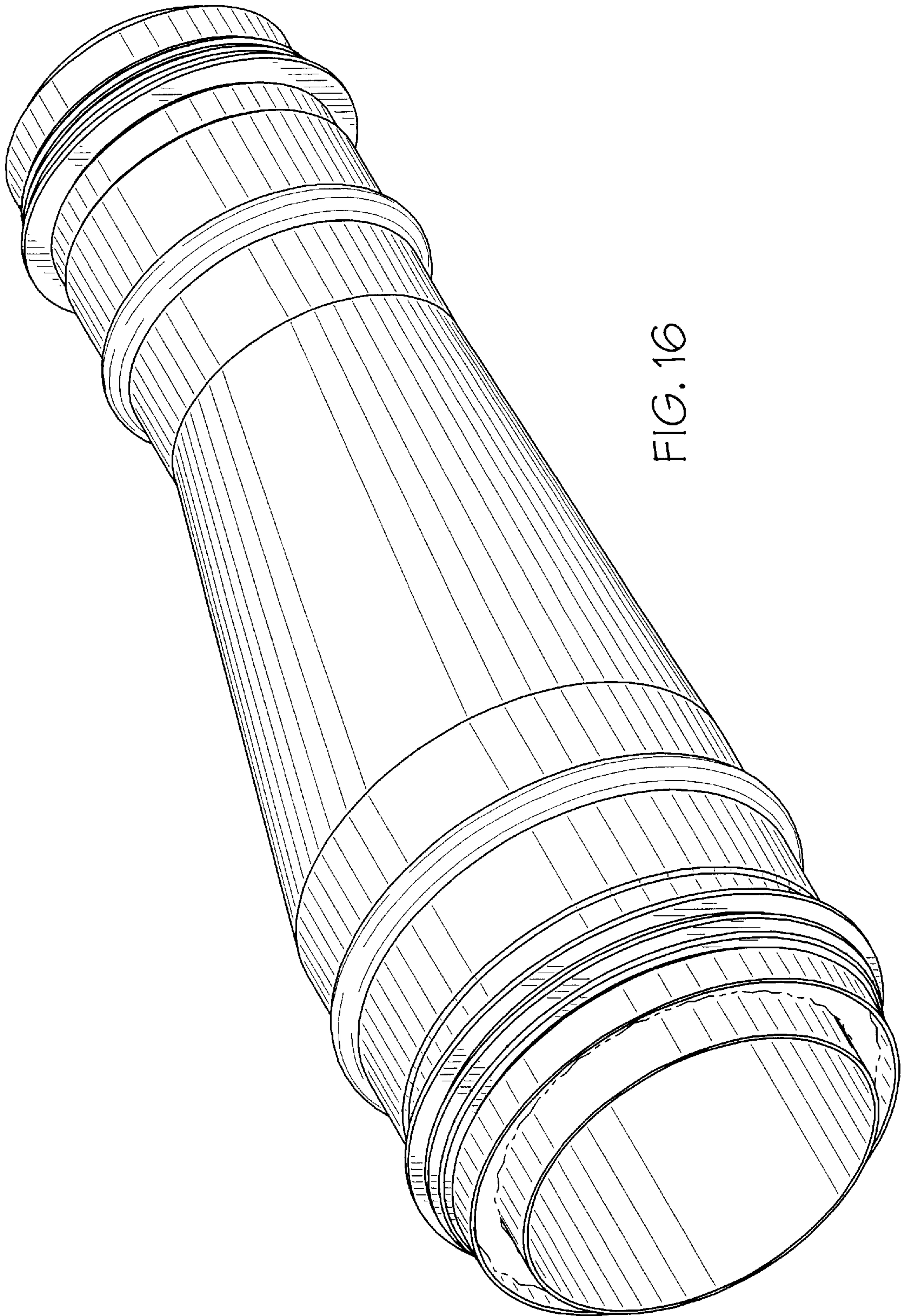


FIG. 16

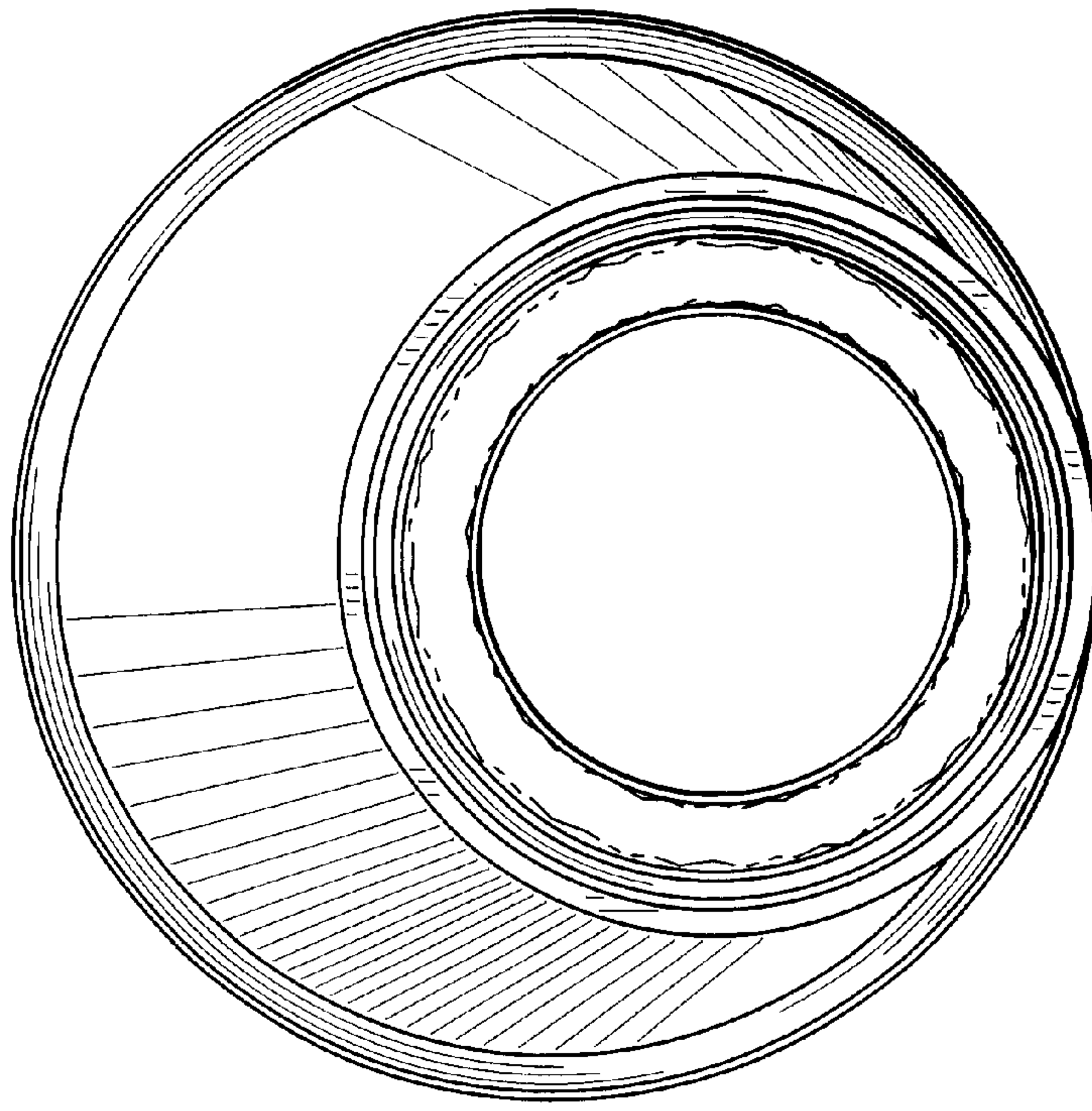


FIG. 18

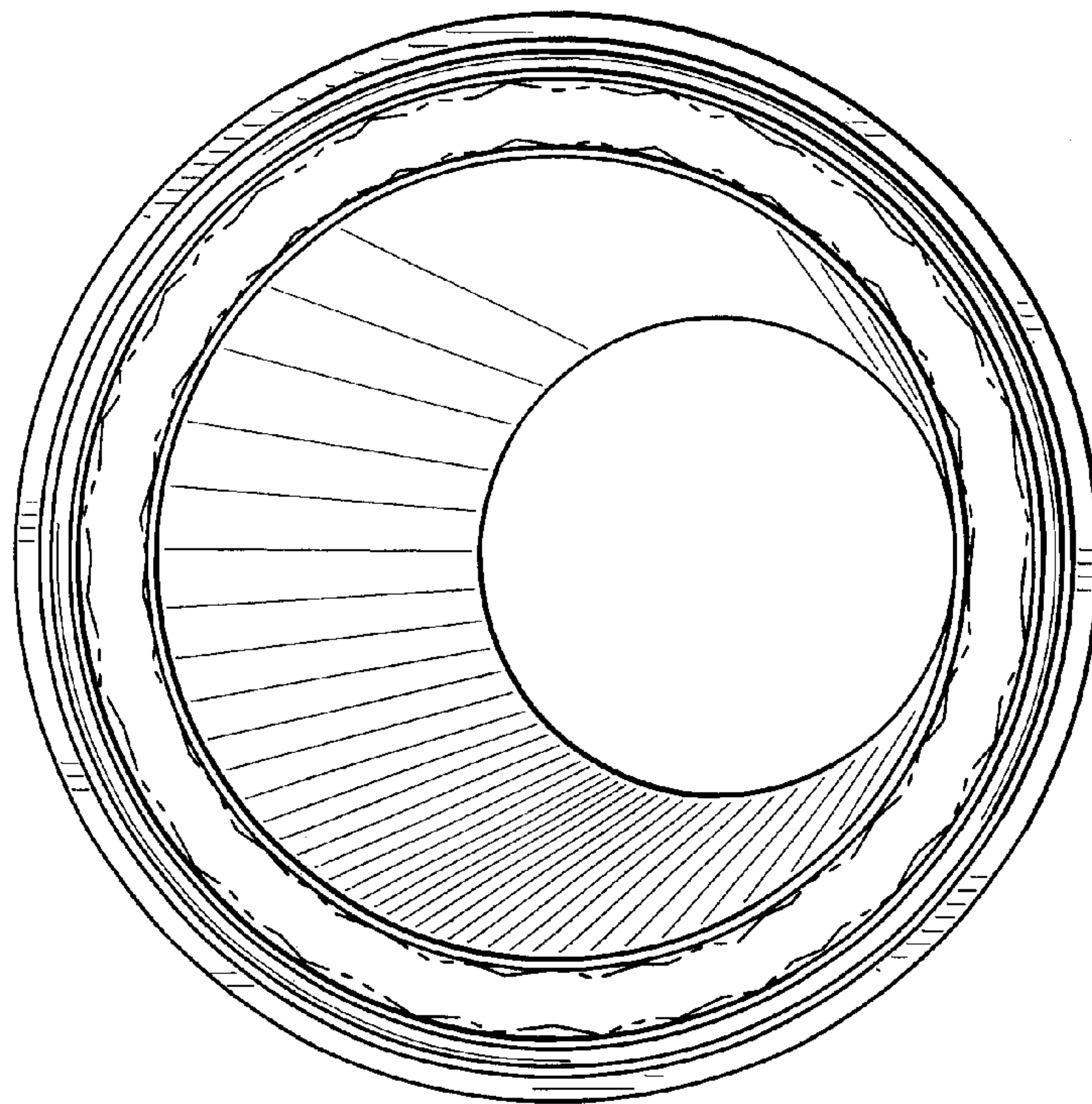


FIG. 17

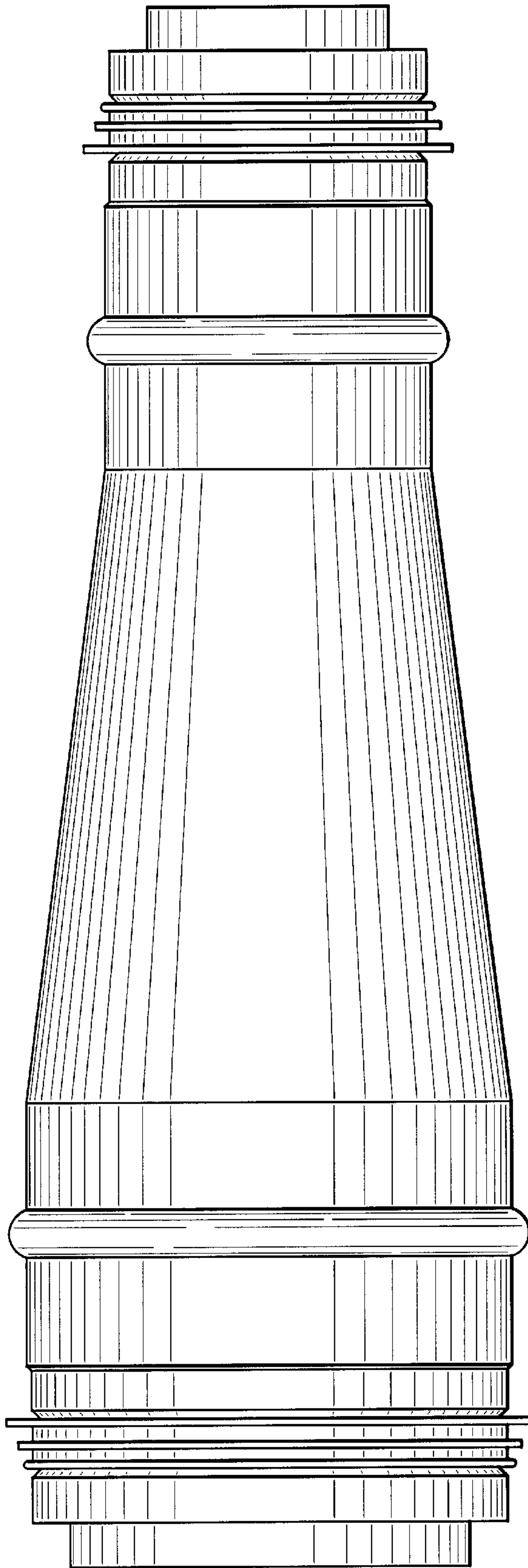


FIG. 19

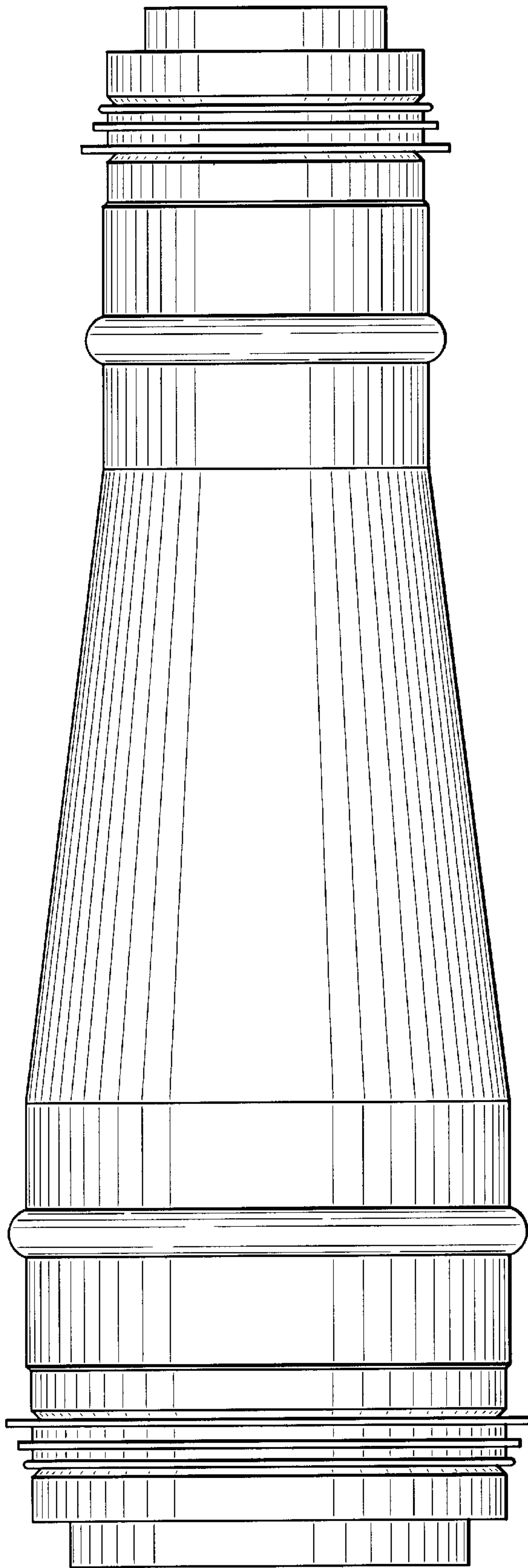


FIG. 20