



US00D480130S

(12) **United States Design Patent** (10) **Patent No.:** **US D480,130 S**  
**Bucher et al.** (45) **Date of Patent:** **\*\* Sep. 30, 2003**

(54) **PEDESTAL FAN**

D414,256 S \* 9/1999 Thomas, Jr. .... D23/382  
D438,947 S \* 3/2001 Wang ..... D23/378

(75) Inventors: **John C. Bucher**, Ft. Lauderdale, FL  
(US); **Charles E. Bucher**, Valrico, FL  
(US)

\* cited by examiner

(73) Assignee: **Kings of Fans, Inc.**, Ft. Lauderdale, FL  
(US)

*Primary Examiner*—Lisa Lichtenstein  
(74) *Attorney, Agent, or Firm*—Holland & Knight LLP

(\*\*) Term: **14 Years**

(57) **CLAIM**

(21) Appl. No.: **29/173,035**

The ornamental design for a pedestal fan, as shown and described.

(22) Filed: **Dec. 20, 2002**

**DESCRIPTION**

(65) **Prior Publication Data**

(65)  
(51) **LOC (7) Cl.** ..... **23-04**  
(52) **U.S. Cl.** ..... **D23/378**  
(58) **Field of Search** ..... D23/378, 382,  
D23/381, 370, 411, 413, 355; 416/246 R,  
247

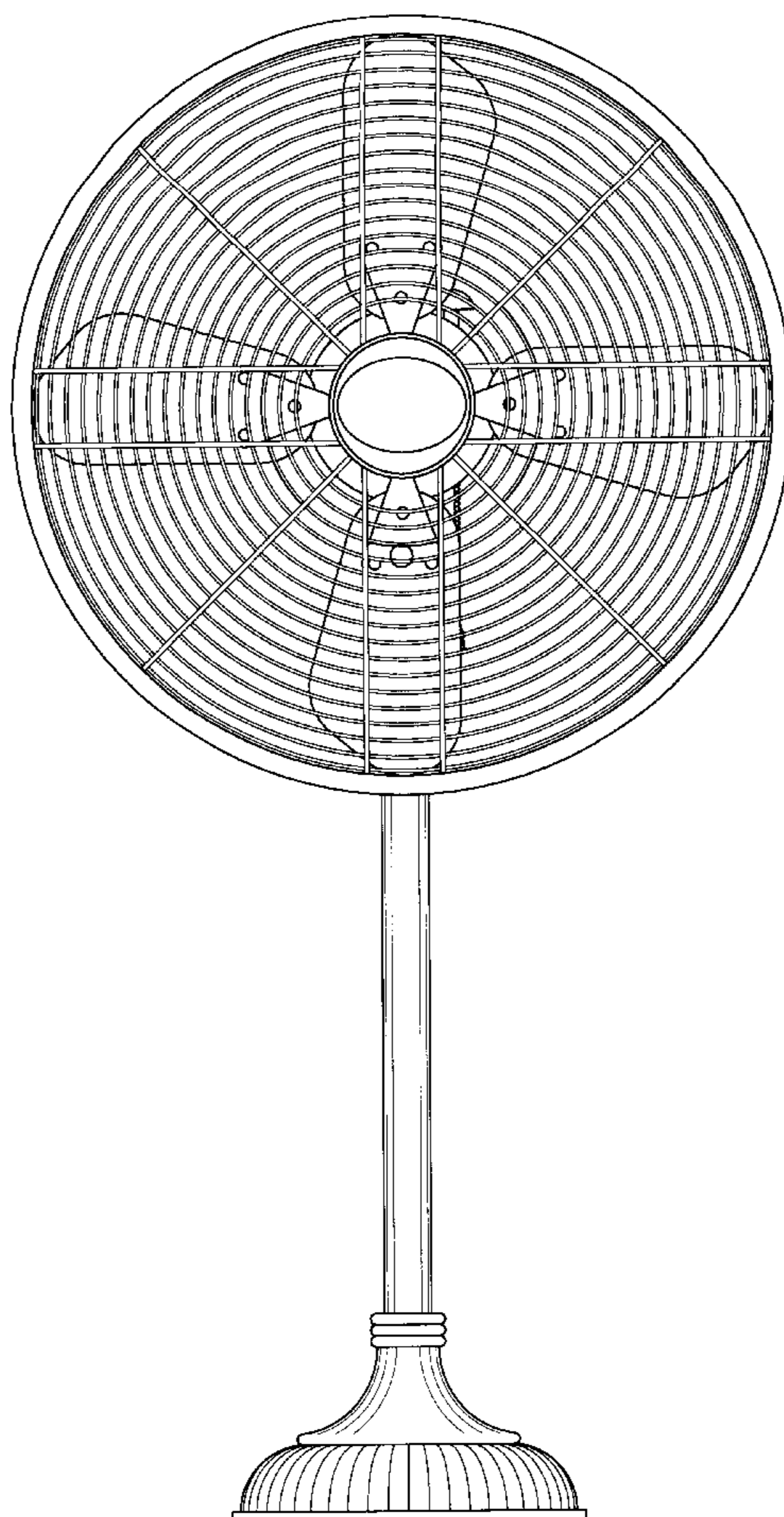
FIG. 1 is a front elevation view of my new design for a pedestal fan;  
FIG. 2 is a back elevation view thereof;  
FIG. 3 is a left side elevation view thereof;  
FIG. 4 is a right side elevation view thereof;  
FIG. 5 is a top plan view thereof; and,  
FIG. 6 is a bottom plan view thereof.

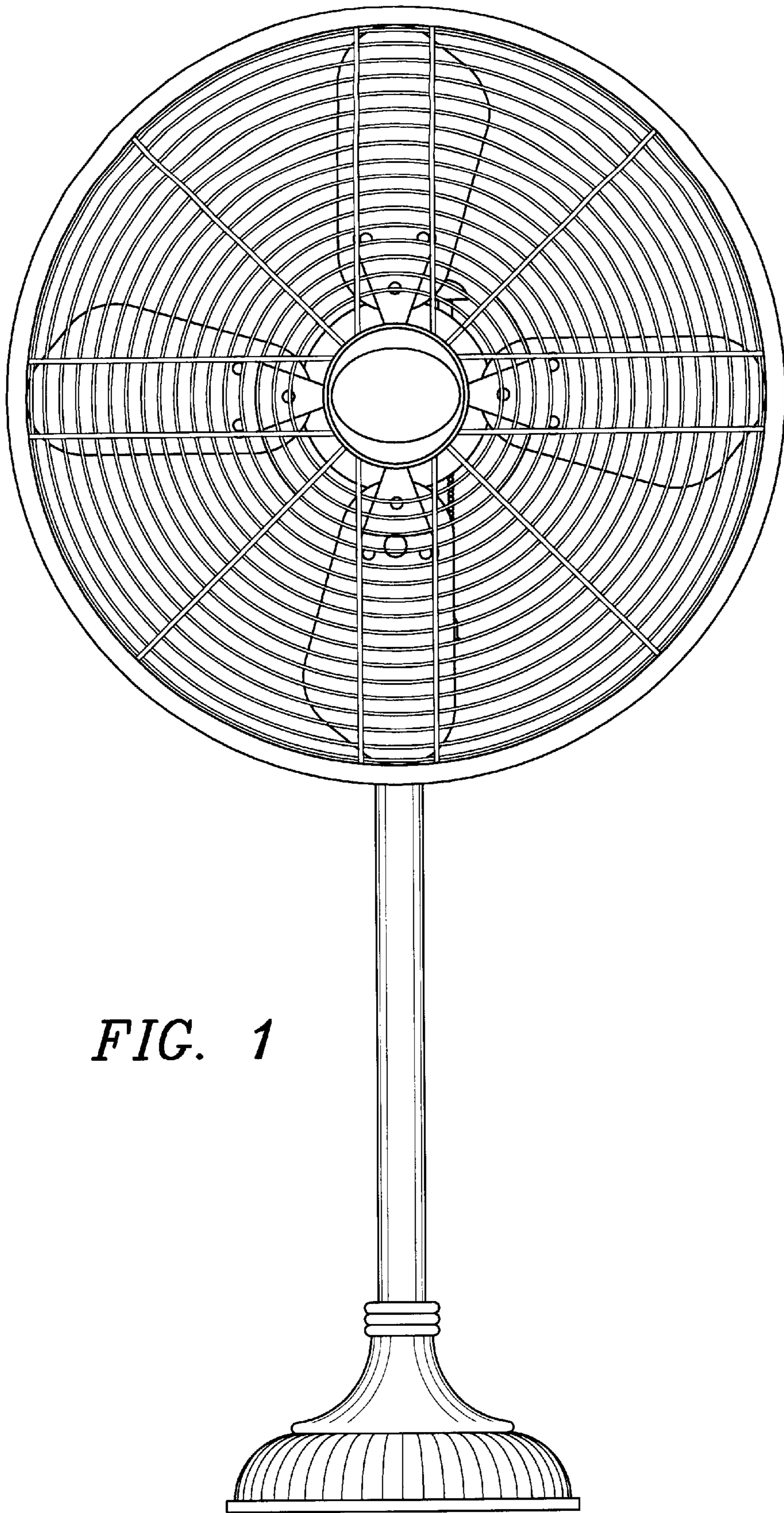
(56) **References Cited**

**U.S. PATENT DOCUMENTS**

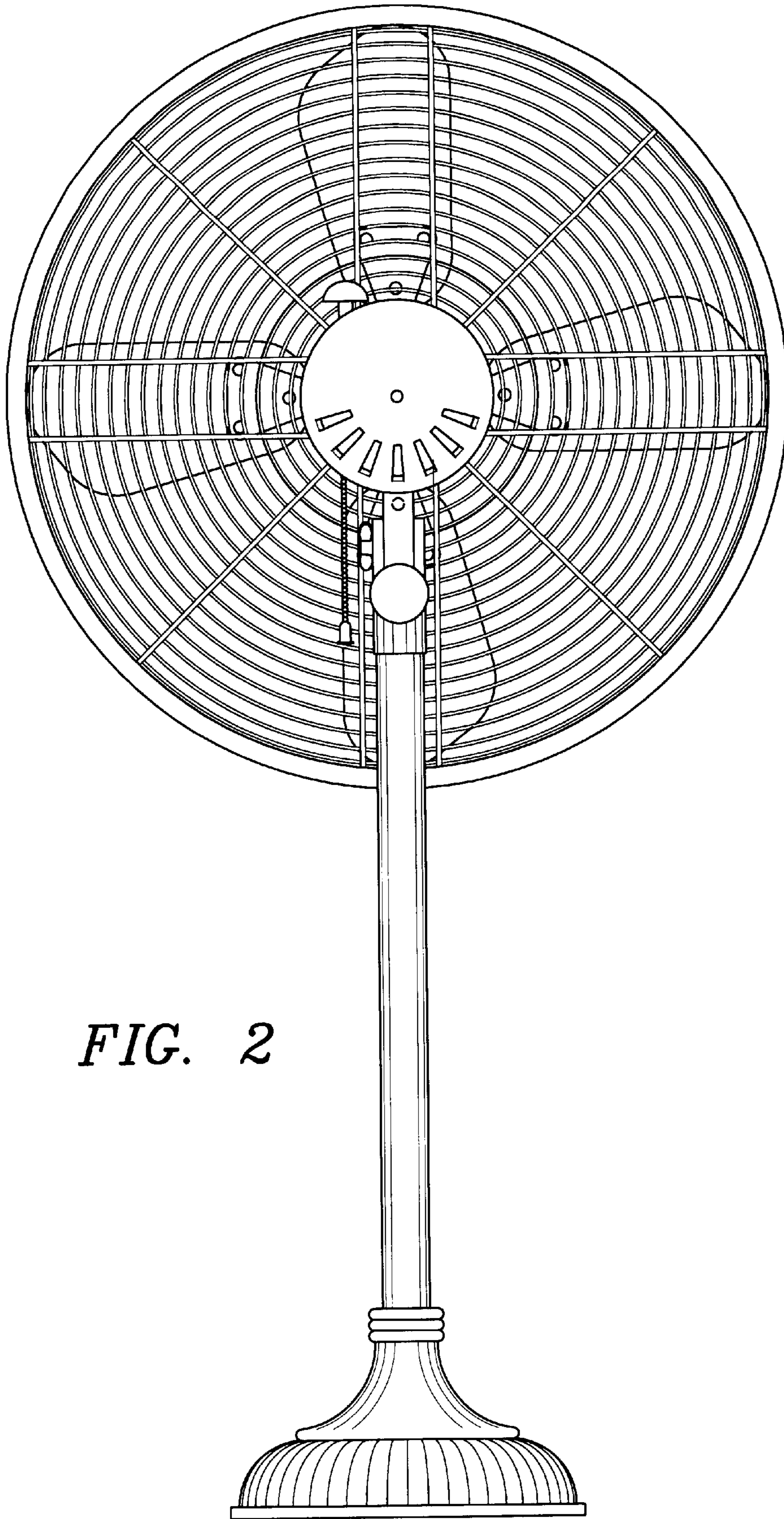
D391,357 S \* 2/1998 Chi ..... D23/382

**1 Claim, 4 Drawing Sheets**

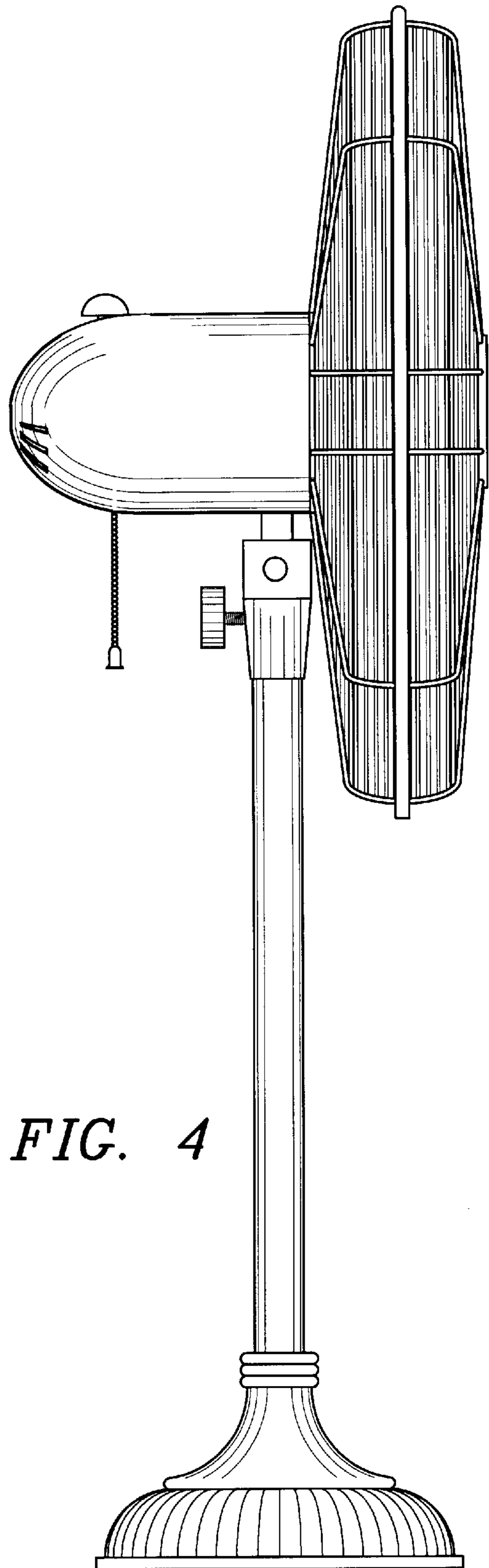
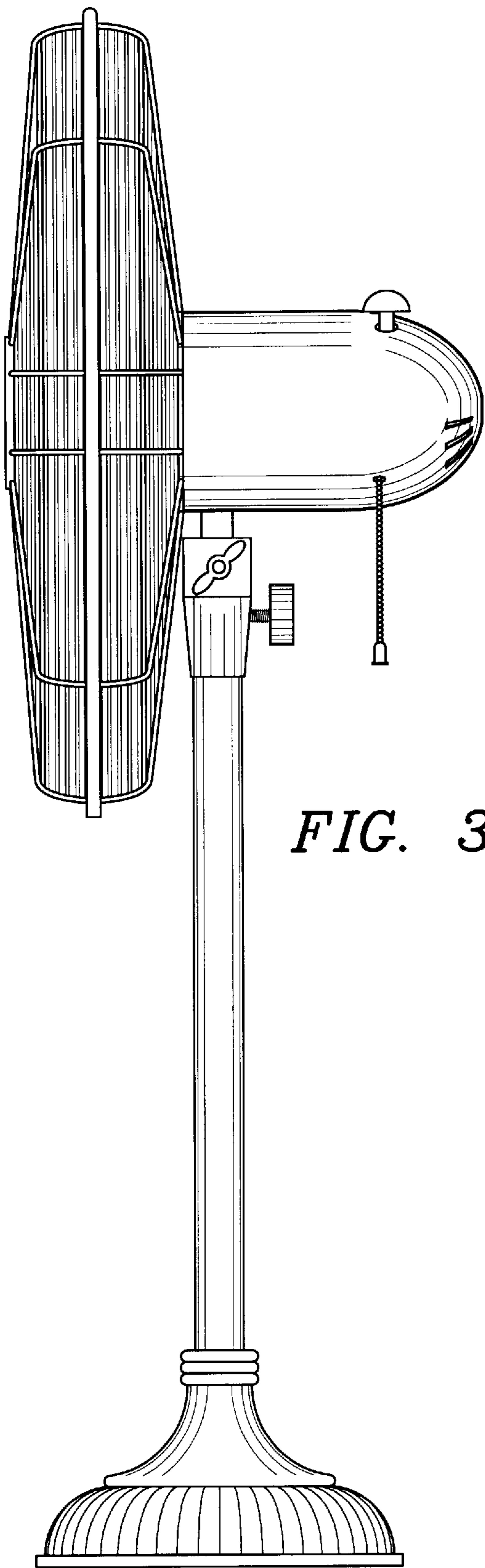


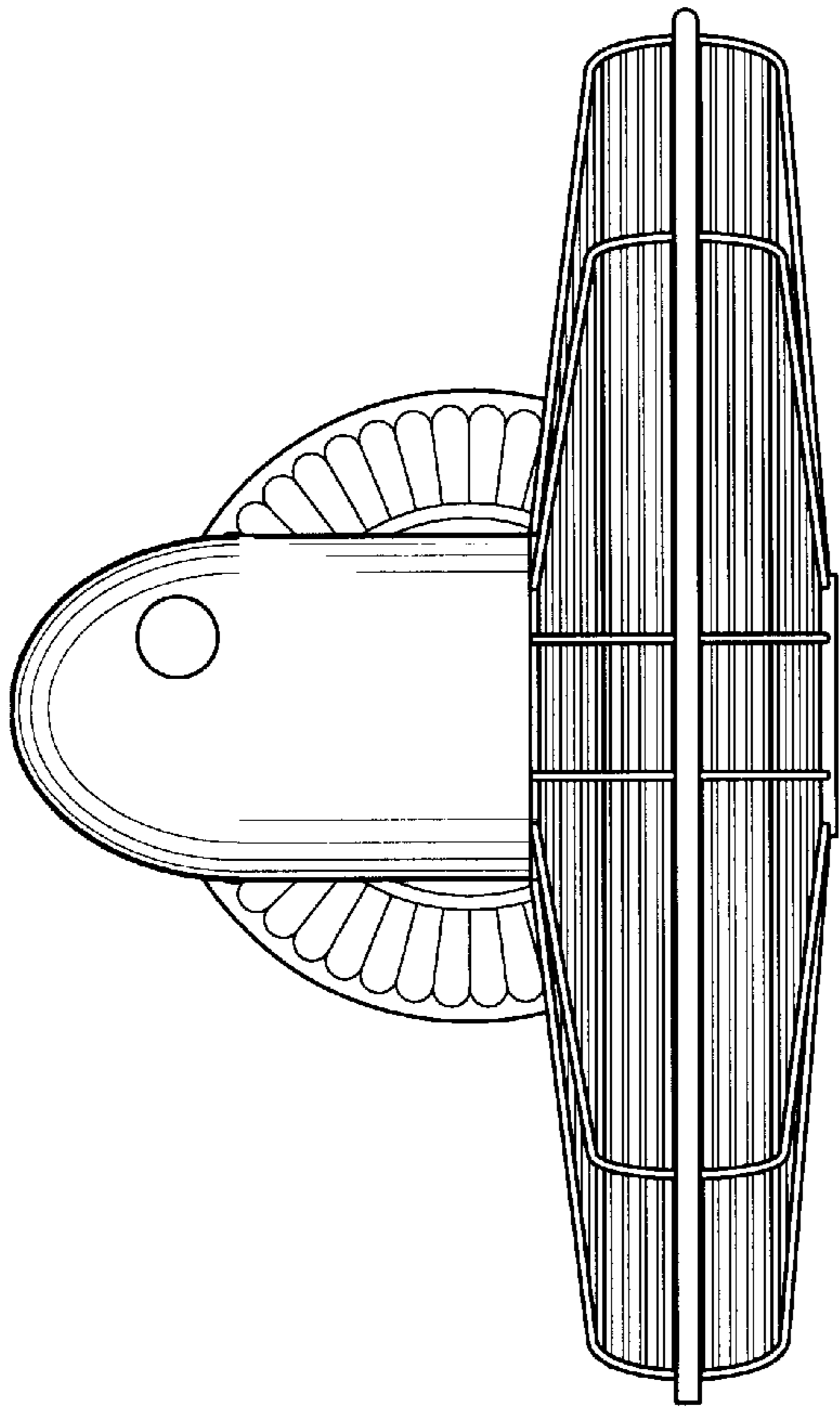


*FIG. 1*



*FIG. 2*





*FIG. 5*

*FIG. 6*

