



US00D480128S

(12) **United States Design Patent**
Gajewski

(10) **Patent No.:** **US D480,128 S**

(45) **Date of Patent:** **** Sep. 30, 2003**

(54) **COMBINATION CEILING FAN AND LIGHT FIXTURE**

Primary Examiner—Lisa Lichtenstein
(74) *Attorney, Agent, or Firm*—Jenkins & Gilchrist, P.C.

(75) **Inventor:** **Mark Gajewski**, San Luis Obispo, CA (US)

(57) **CLAIM**

The ornamental design for the combination ceiling fan and light fixture, as shown and described.

(73) **Assignee:** **Minka Lighting, Inc.**, Corona, CA (US)

DESCRIPTION

(**) **Term:** **14 Years**

(21) **Appl. No.:** **29/161,307**

(22) **Filed:** **May 28, 2002**

(51) **LOC (7) Cl.** **23-04**

(52) **U.S. Cl.** **D23/377**

(58) **Field of Search** D23/377, 379, D23/385, 411, 413; D26/59, 51, 72, 81–86, 88; 416/5; 392/364; 362/96

FIG. 1 is a top view of the combination ceiling fan and light fixture in accordance with my design;

FIG. 2 is a bottom view of the combination ceiling fan and light fixture in accordance with my design;

FIG. 3 is a side elevation view of the combination ceiling fan and light fixture in accordance with my design;

FIG. 4 is a front elevation view of the combination ceiling fan and light fixture in accordance with my design; and,

FIG. 5 is a perspective view from below of the combination ceiling fan and light fixture in accordance with my design.

The right and left elevational views are mirror images of each other.

The front and back elevational views are mirror images of each other.

The broken line showing of environmental structure in FIGS. 1 and 3–5 is for illustrative purposes only and forms no part of the claimed design.

(56) **References Cited**

U.S. PATENT DOCUMENTS

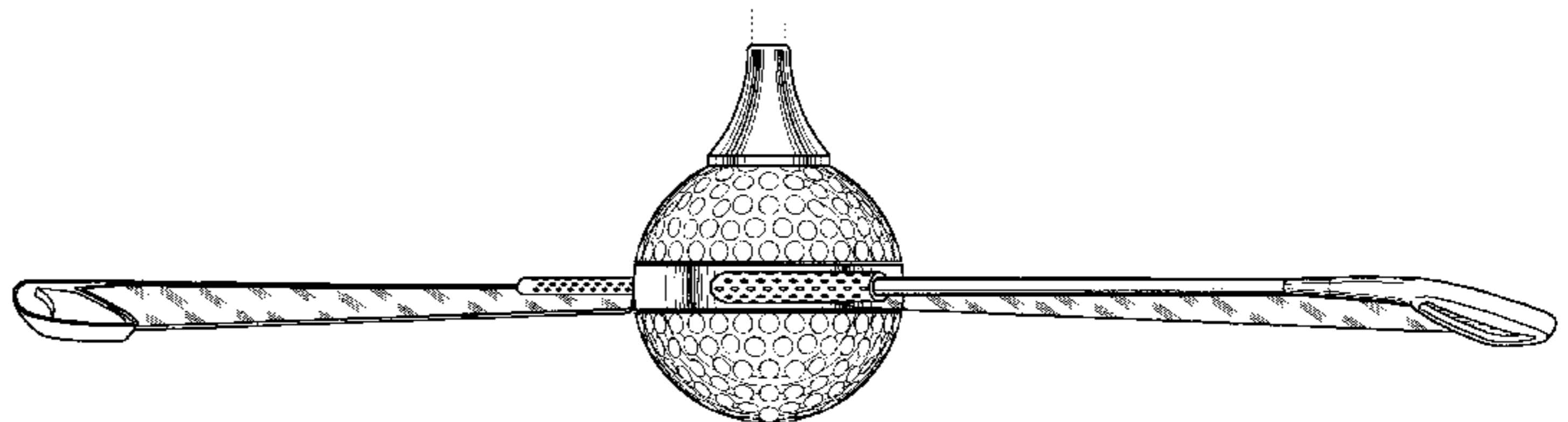
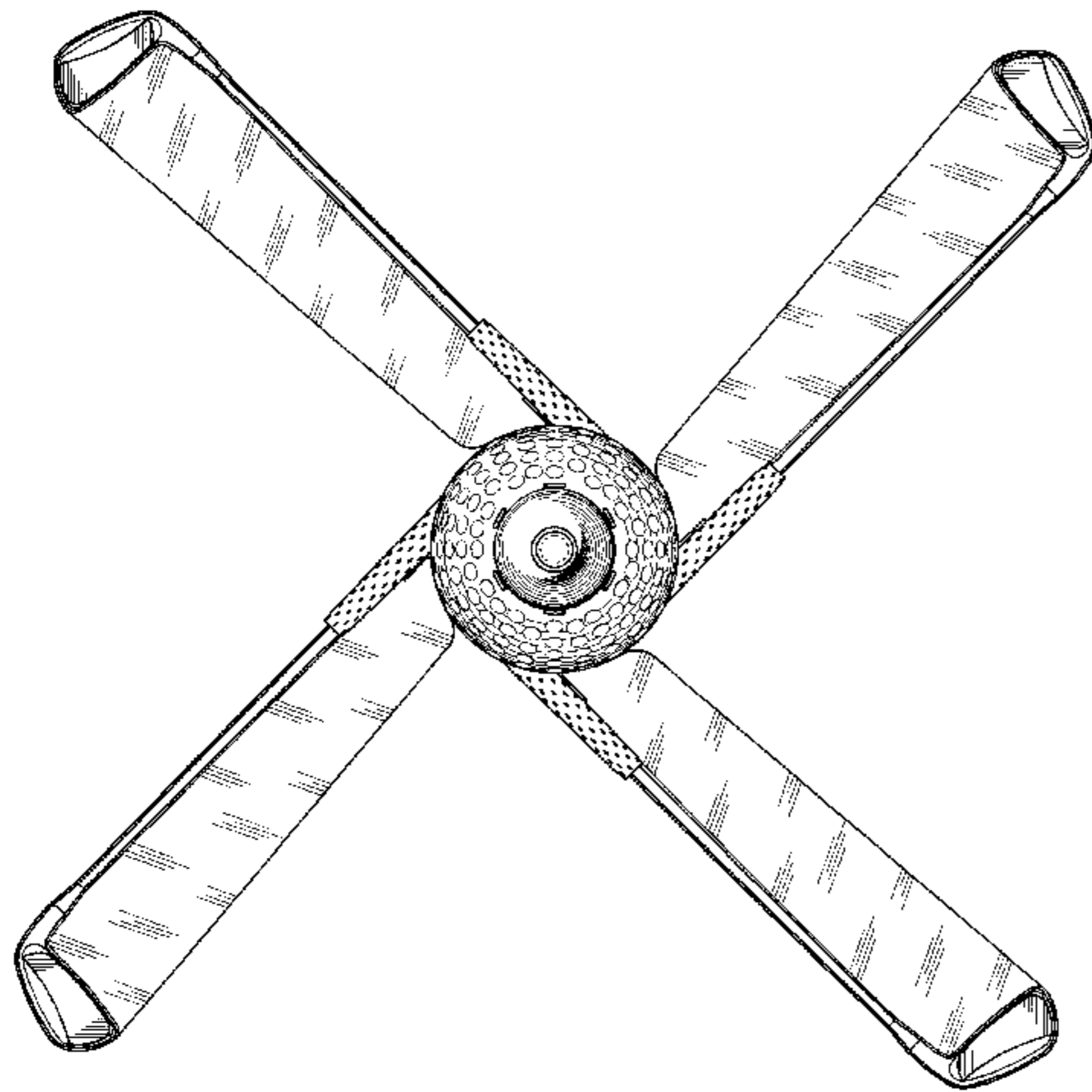
- D417,496 S * 12/1999 Chang et al. D23/377
- D417,499 S * 12/1999 Zuege D23/411
- D428,133 S * 7/2000 Chen D23/411

OTHER PUBLICATIONS

Minka Lighting, Inc.; MinkaAire Two Thousand Two; Apr. 22, 2002; pp. 24, 25; Minka Lighting, Inc.; U.S.A.

* cited by examiner

1 Claim, 4 Drawing Sheets



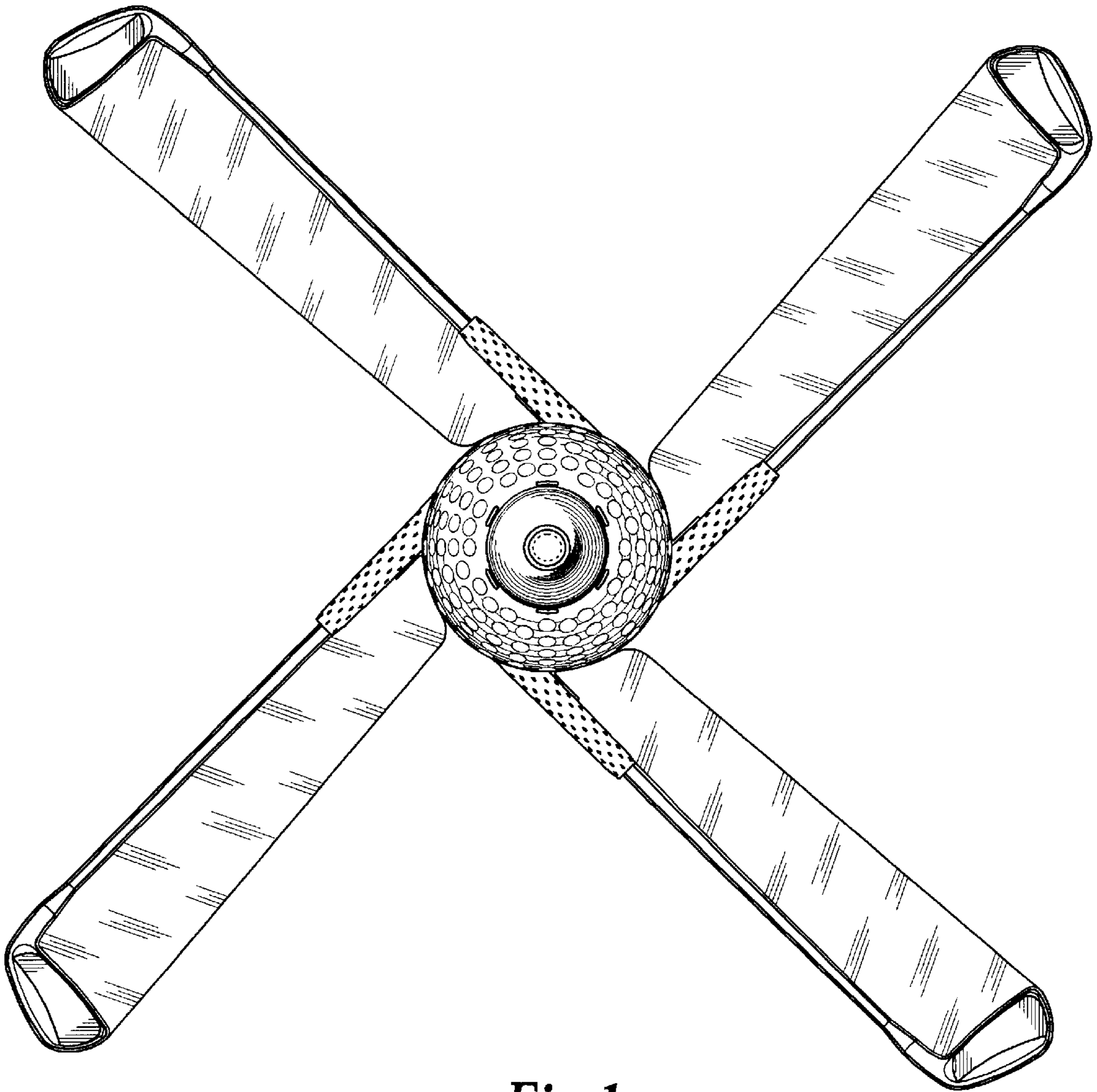


Fig.1

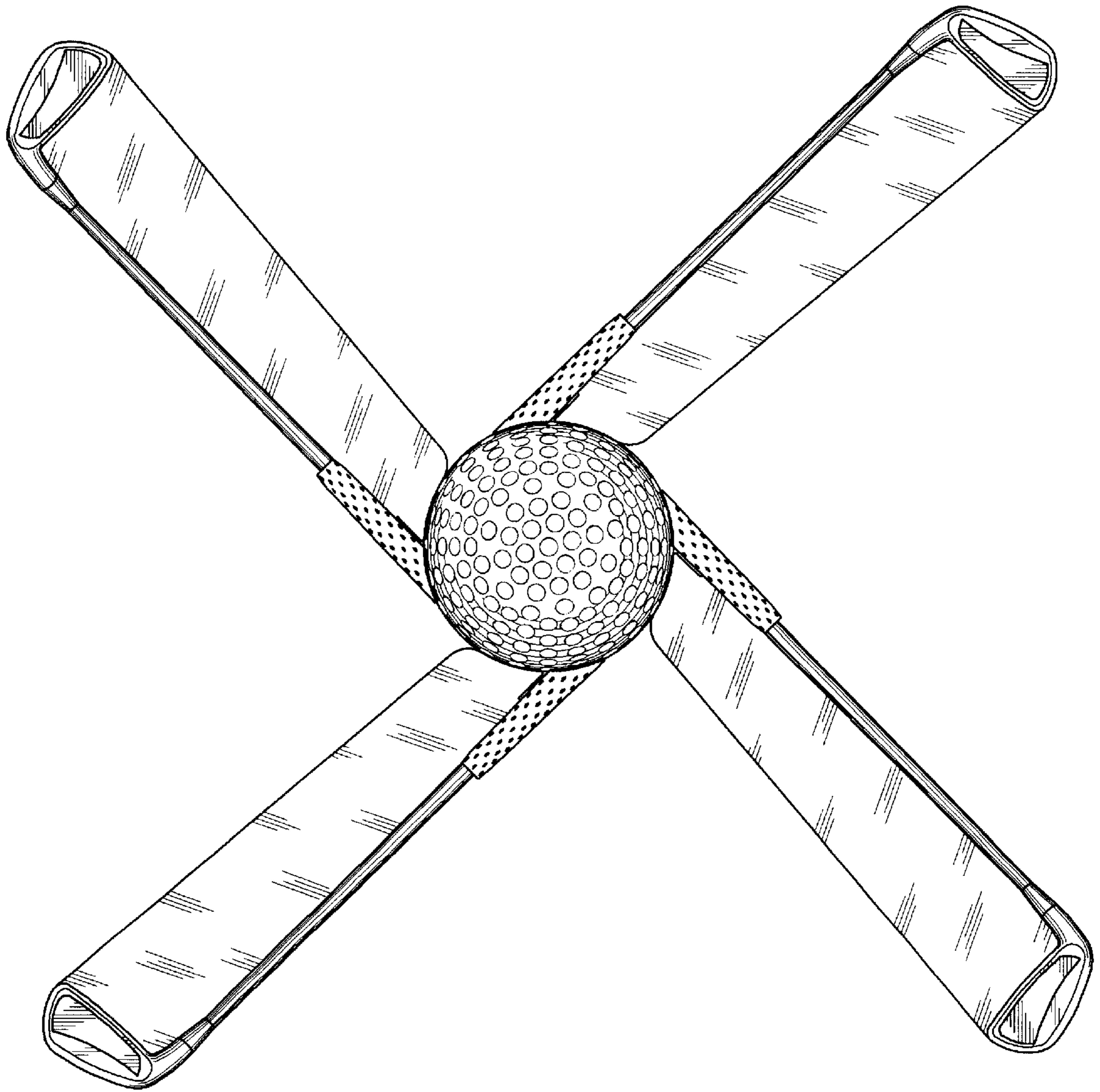


Fig. 2

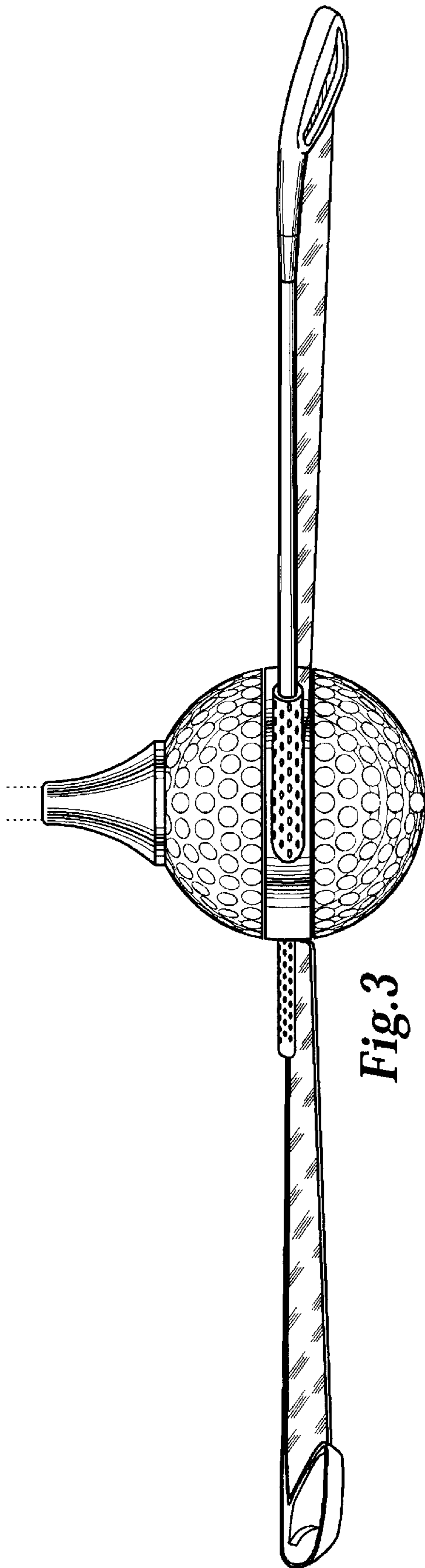


Fig. 3

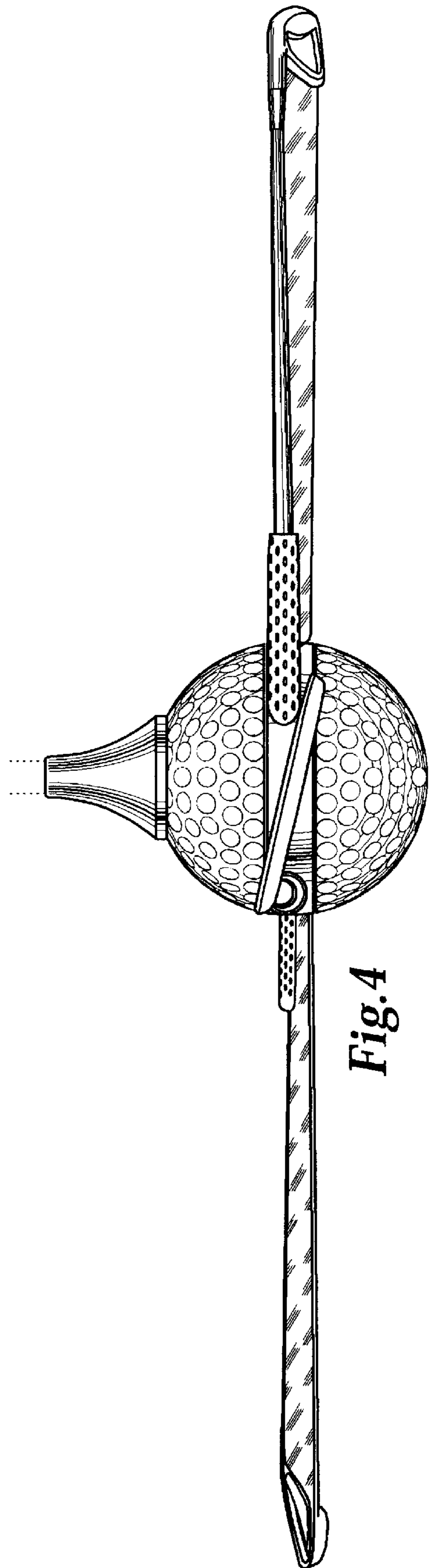


Fig. 4

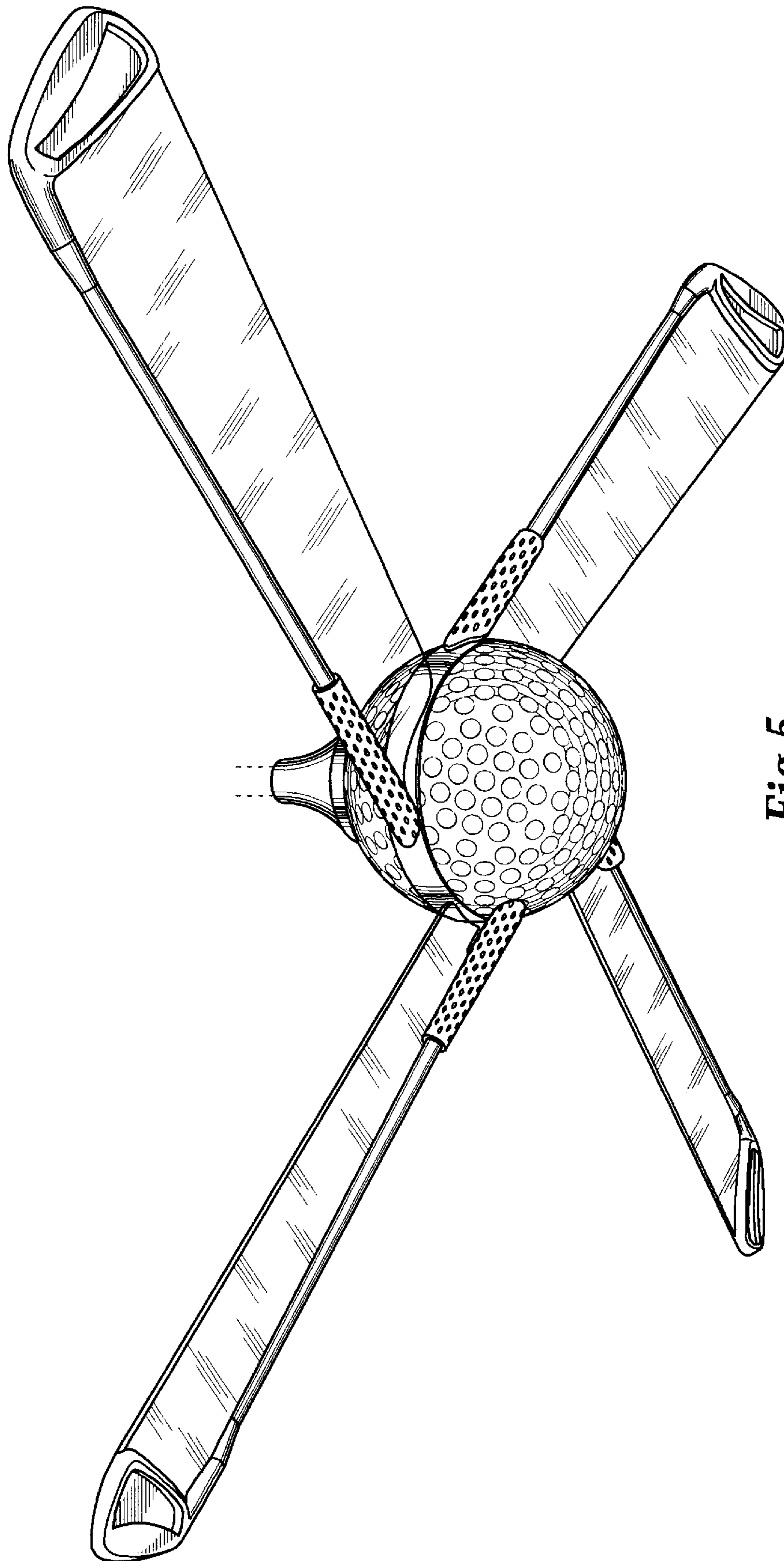


Fig. 5