



US00D480127S

(12) **United States Design Patent**  
**Cox et al.**

(10) **Patent No.:** **US D480,127 S**

(45) **Date of Patent:** **\*\* Sep. 30, 2003**

(54) **AIR FILTER HOUSING**

(75) Inventors: **Paul E. Cox**, Haverhill, MA (US); **Bill Kane**, Sutton, MA (US); **Charles W. Sears**, Boxford, MA (US); **Trent Kahute**, Boston, MA (US); **David Pitcher**, Worcester, MA (US)

(73) Assignee: **Kaz, Inc.**, Southborough, MA (US)

(\*\*) Term: **14 Years**

(21) Appl. No.: **29/163,241**

(22) Filed: **Jun. 28, 2002**

(51) **LOC (7) Cl.** ..... **23-04**

(52) **U.S. Cl.** ..... **D23/365**

(58) **Field of Search** ..... **D23/355, 364, D23/365; 55/356, 472; 210/497-8**

(56) **References Cited**

**U.S. PATENT DOCUMENTS**

D401,318 S	*	11/1998	Rakocy	.....	D23/364
D402,745 S	*	12/1998	Termeer et al.	.....	D23/364
D402,746 S	*	12/1998	Clark et al.	.....	D23/364
D452,302 S	*	12/2001	Hagen	.....	D23/365

\* cited by examiner

*Primary Examiner*—Robin V. Taylor

(74) *Attorney, Agent, or Firm*—Darby & Darby

(57) **CLAIM**

The ornamental design for an air filter housing, as shown and described.

**DESCRIPTION**

FIG. 1 is a front perspective view of a first embodiment of an air filter housing according to the invention;

FIG. 2 is a rear perspective view of the air filter housing of FIG. 1;

FIG. 3 is a front view of the air filter housing of FIG. 1;

FIG. 4 is a right side view of the air filter housing of FIG. 1, the left side view being a mirror image;

FIG. 5 is a rear view of the air filter housing of FIG. 1;

FIG. 6 is a top view of the air filter housing of FIG. 1;

FIG. 7 is a front perspective view of a second embodiment of an air filter housing according to the invention;

FIG. 8 is a rear perspective view of the air filter housing of FIG. 7;

FIG. 9 is a front view of the air filter housing of FIG. 7;

FIG. 10 is a right side view of the air filter housing of FIG. 7, the left side view being a mirror image;

FIG. 11 is a rear view of the air filter housing of FIG. 7; and,

FIG. 12 is a top view of the air filter housing of FIG. 7.

Internal features shown in broken lines, such as those that can be seen through the grill of the air filter housing in several of the views, form no part of the claimed design.

**1 Claim, 9 Drawing Sheets**

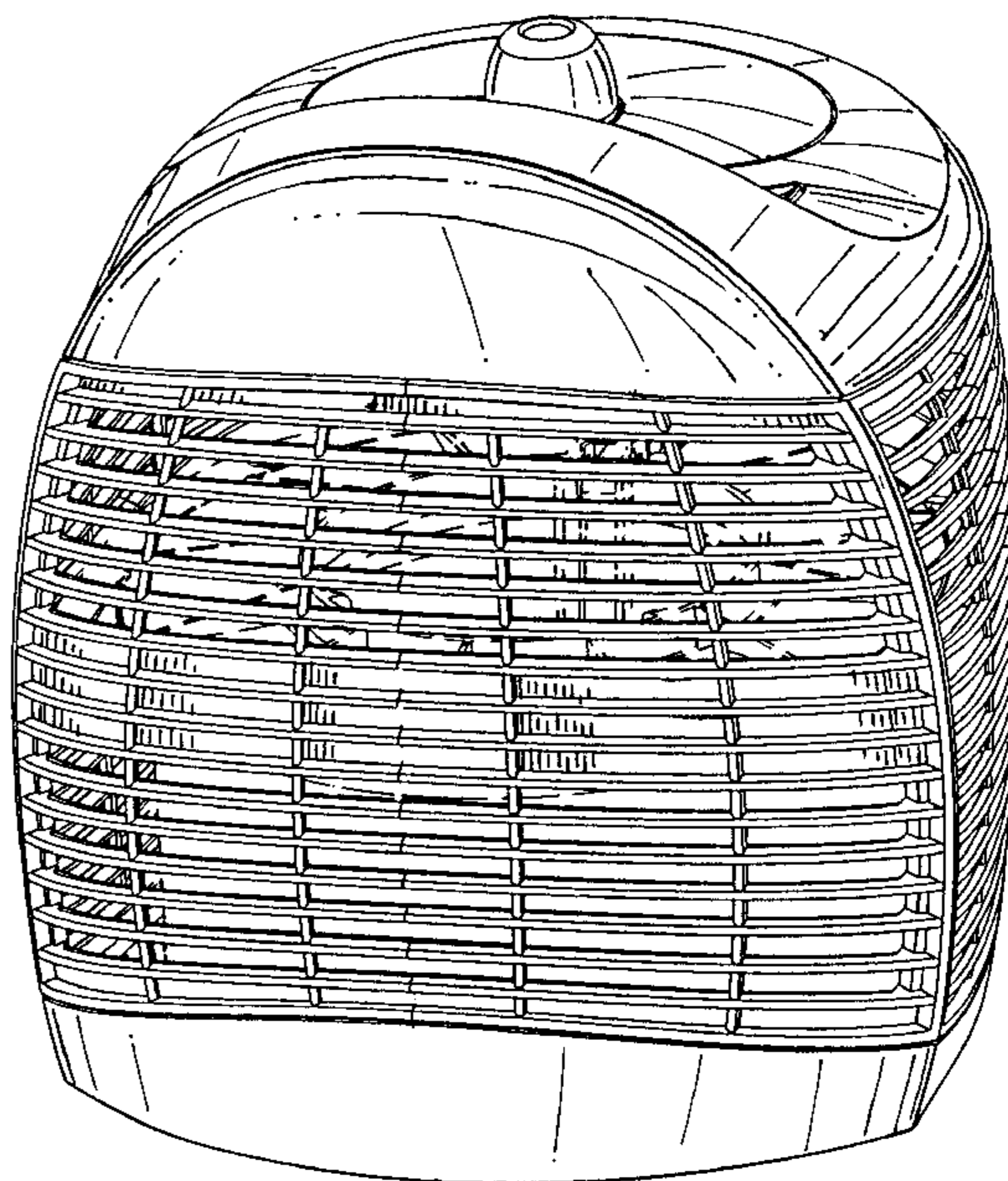
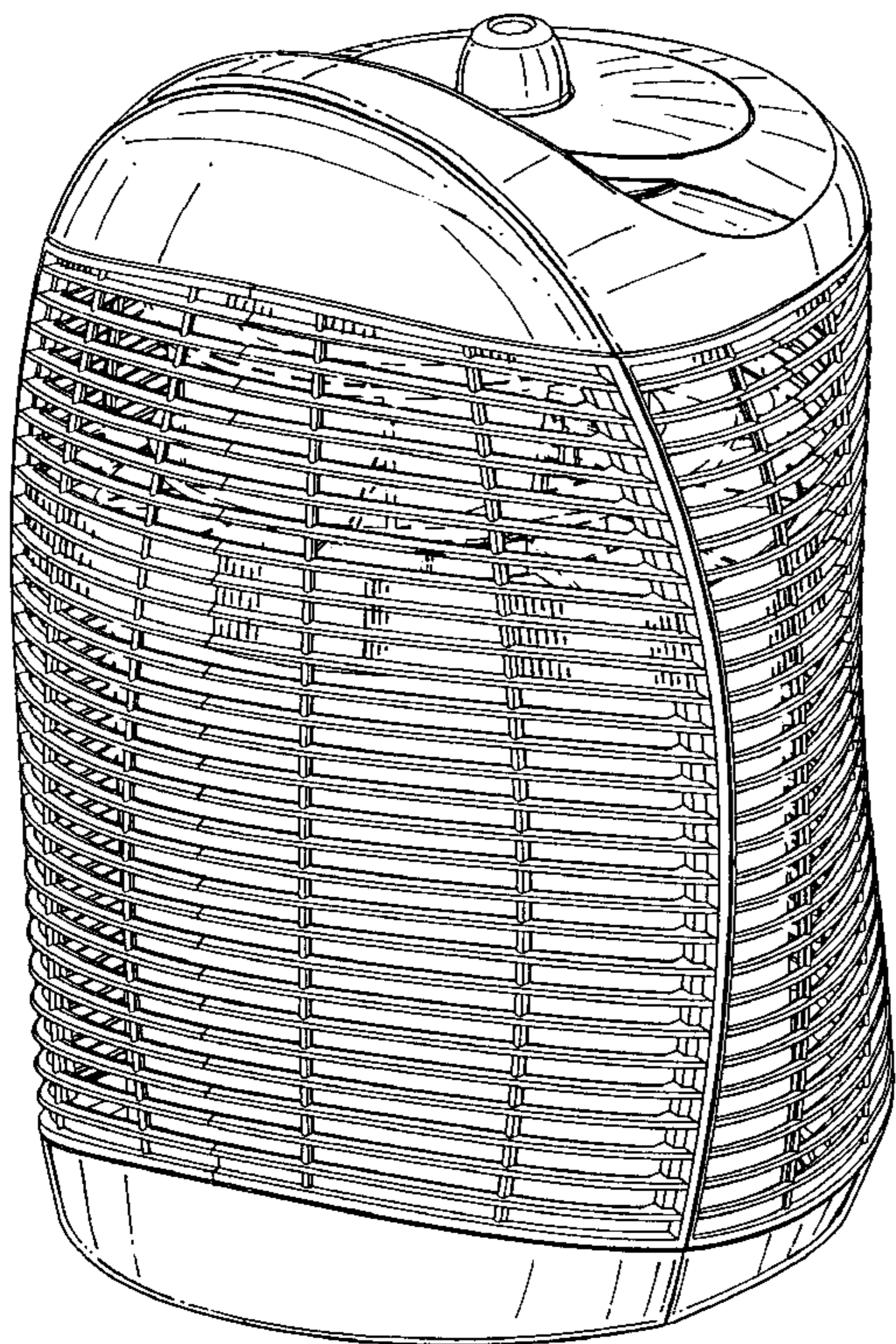




FIG. 1

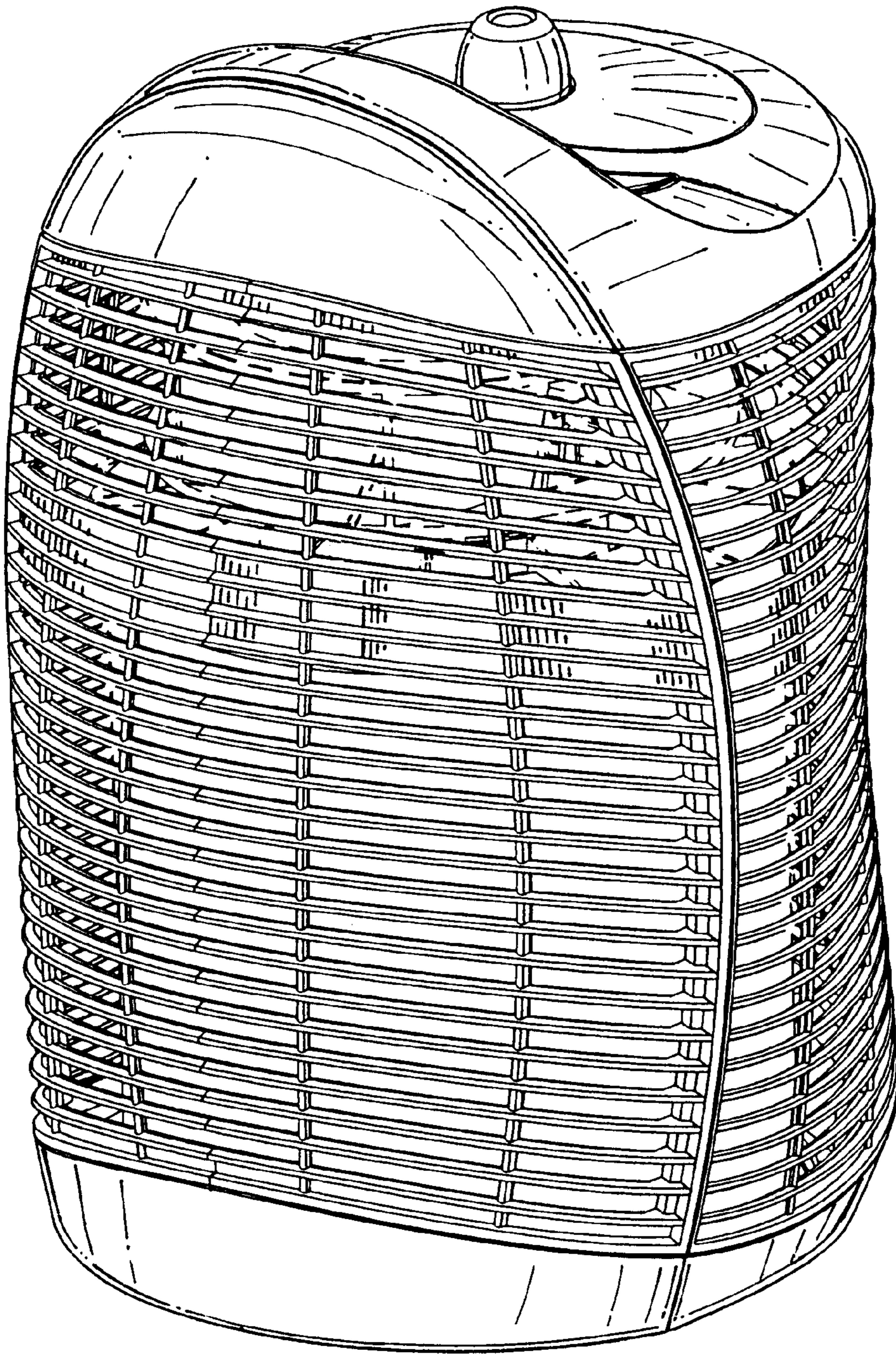
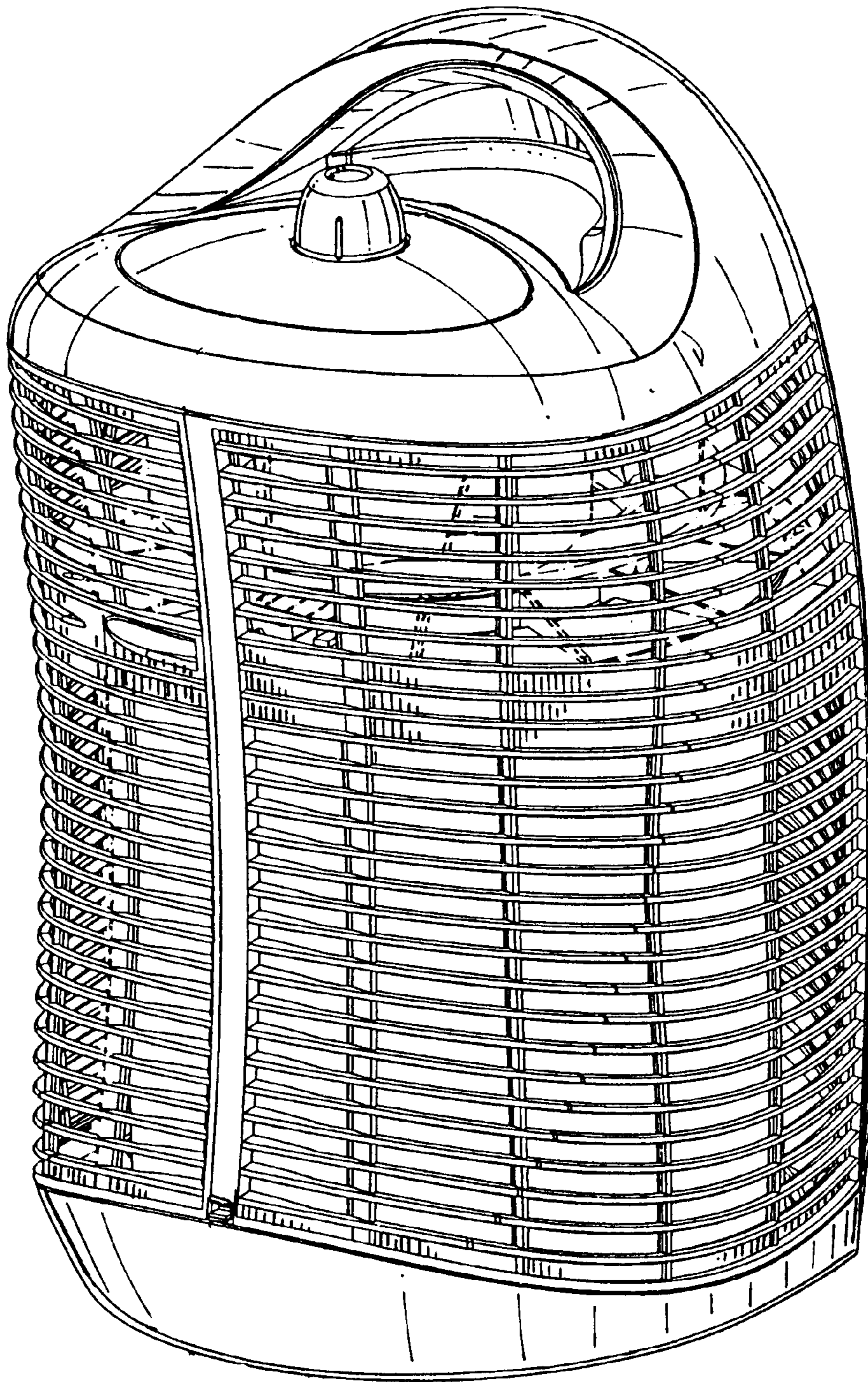




FIG. 2



# FIG. 3

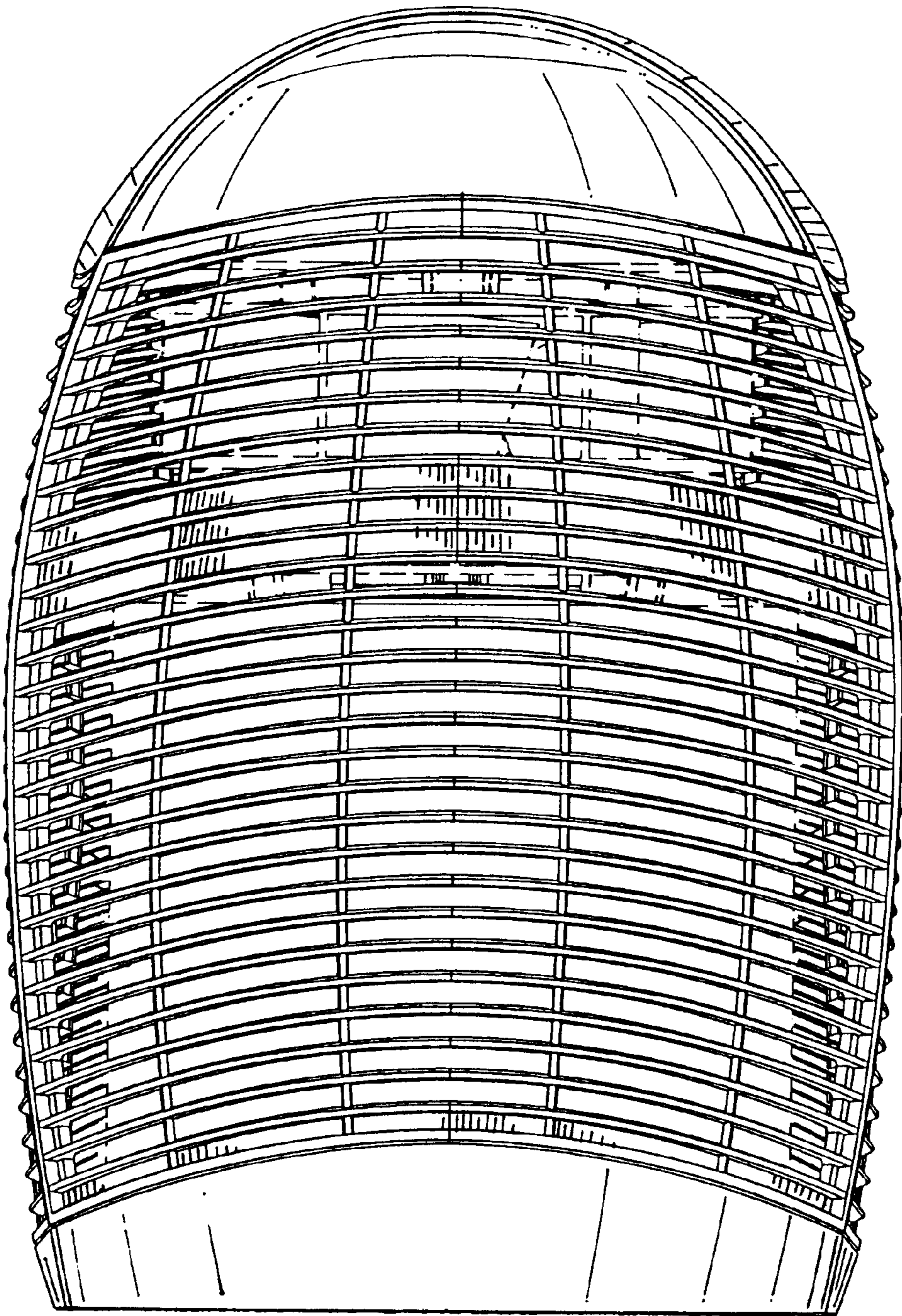




FIG. 4

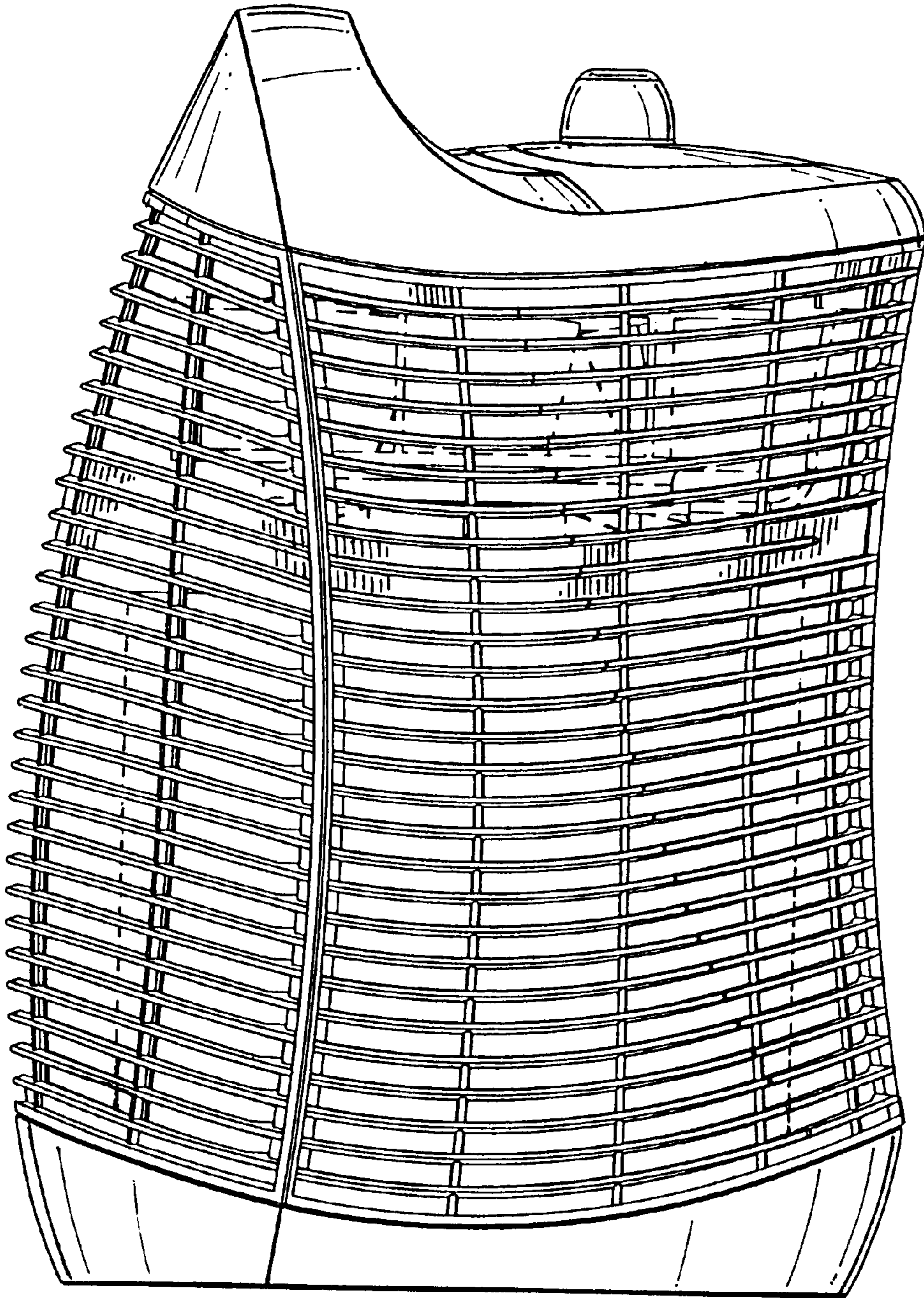
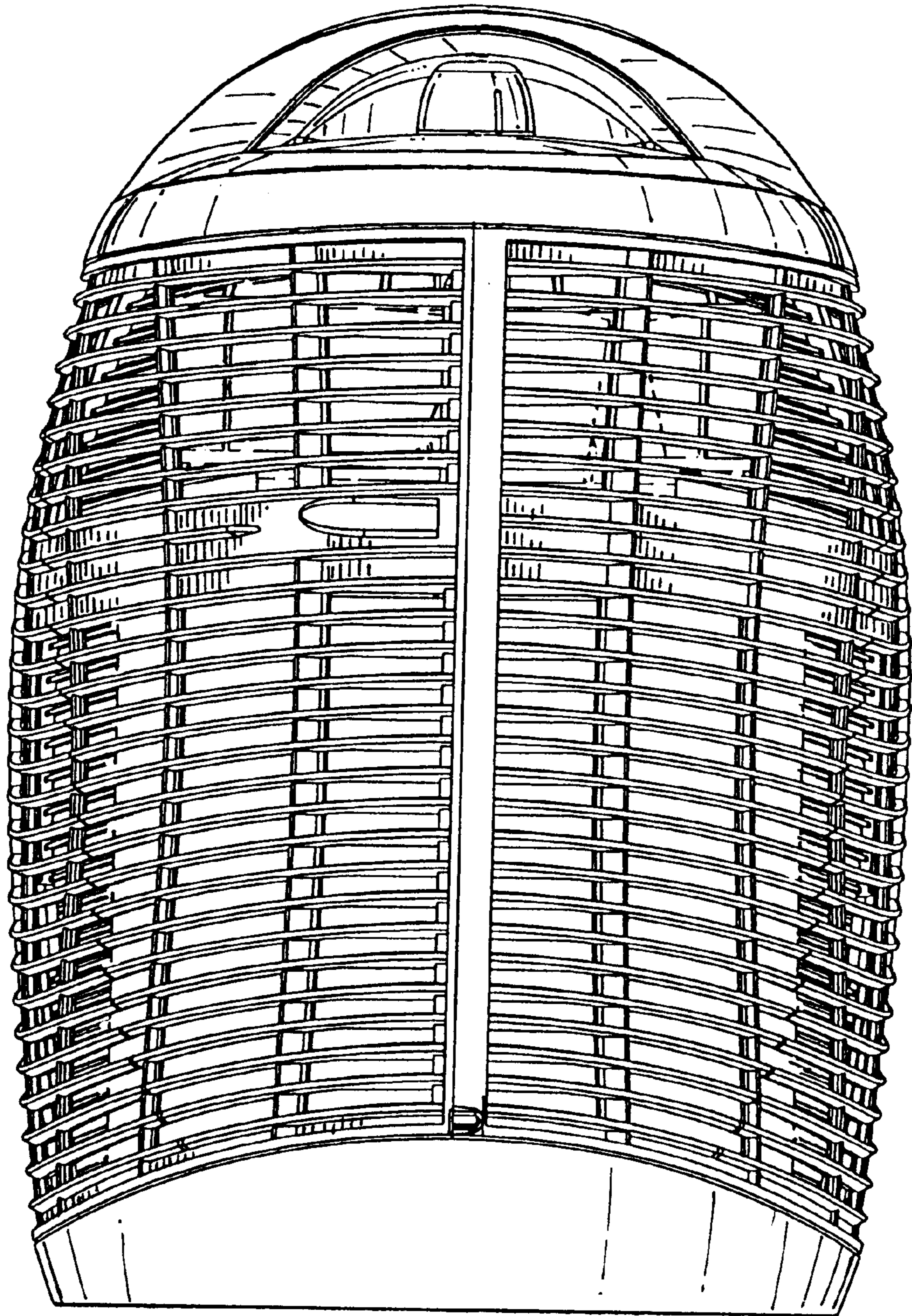


FIG. 5





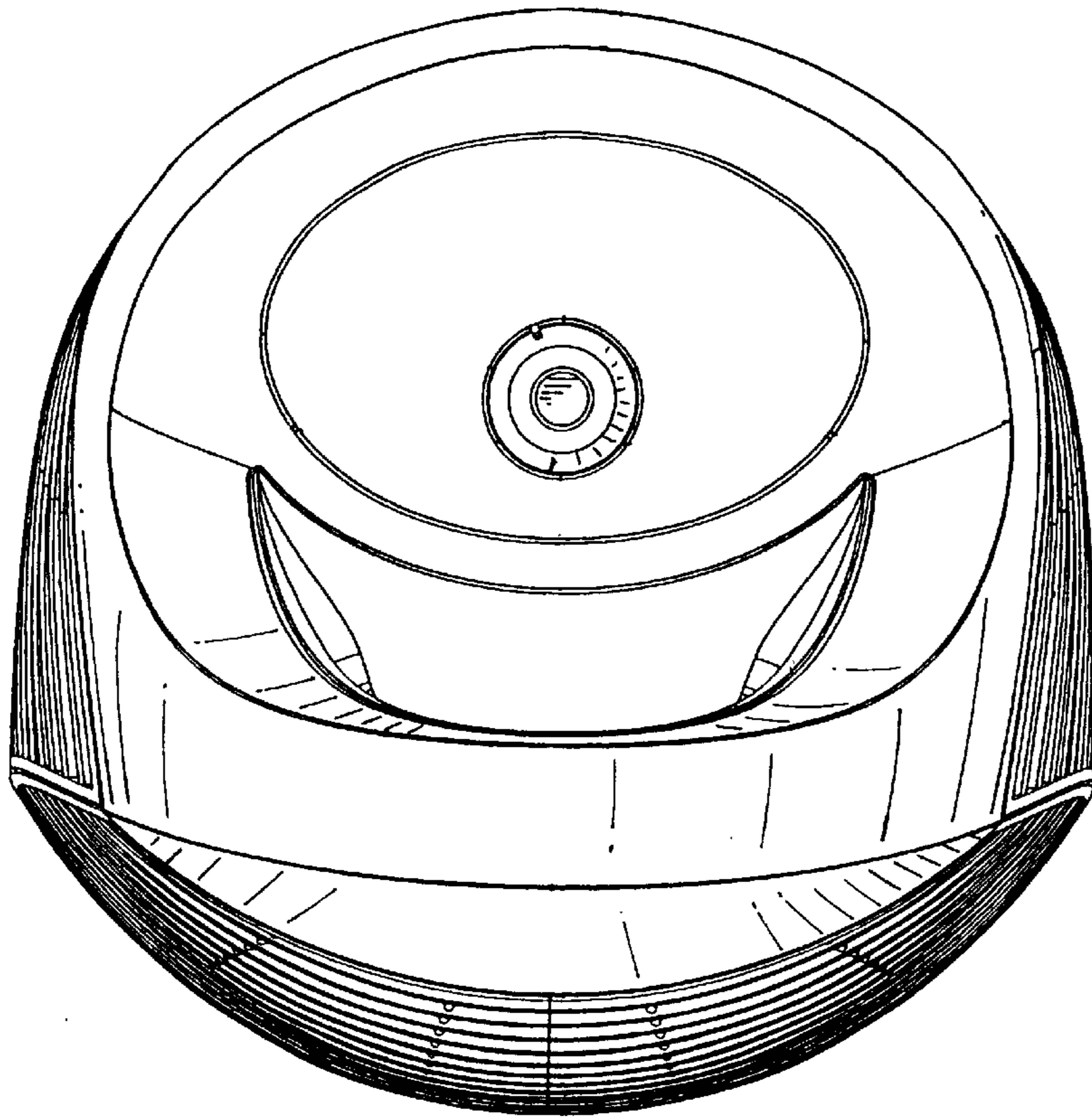
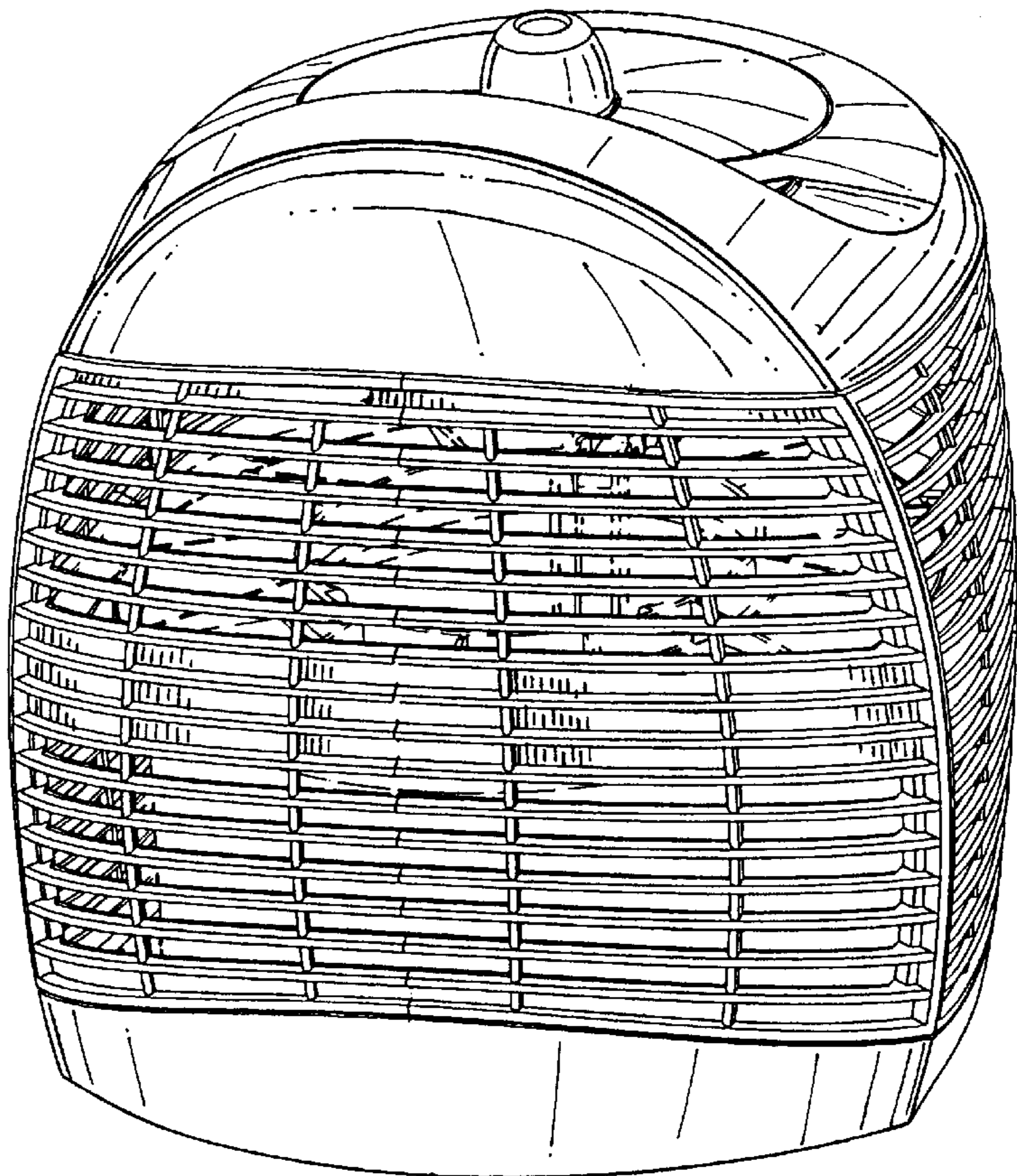


FIG. 6

FIG. 7



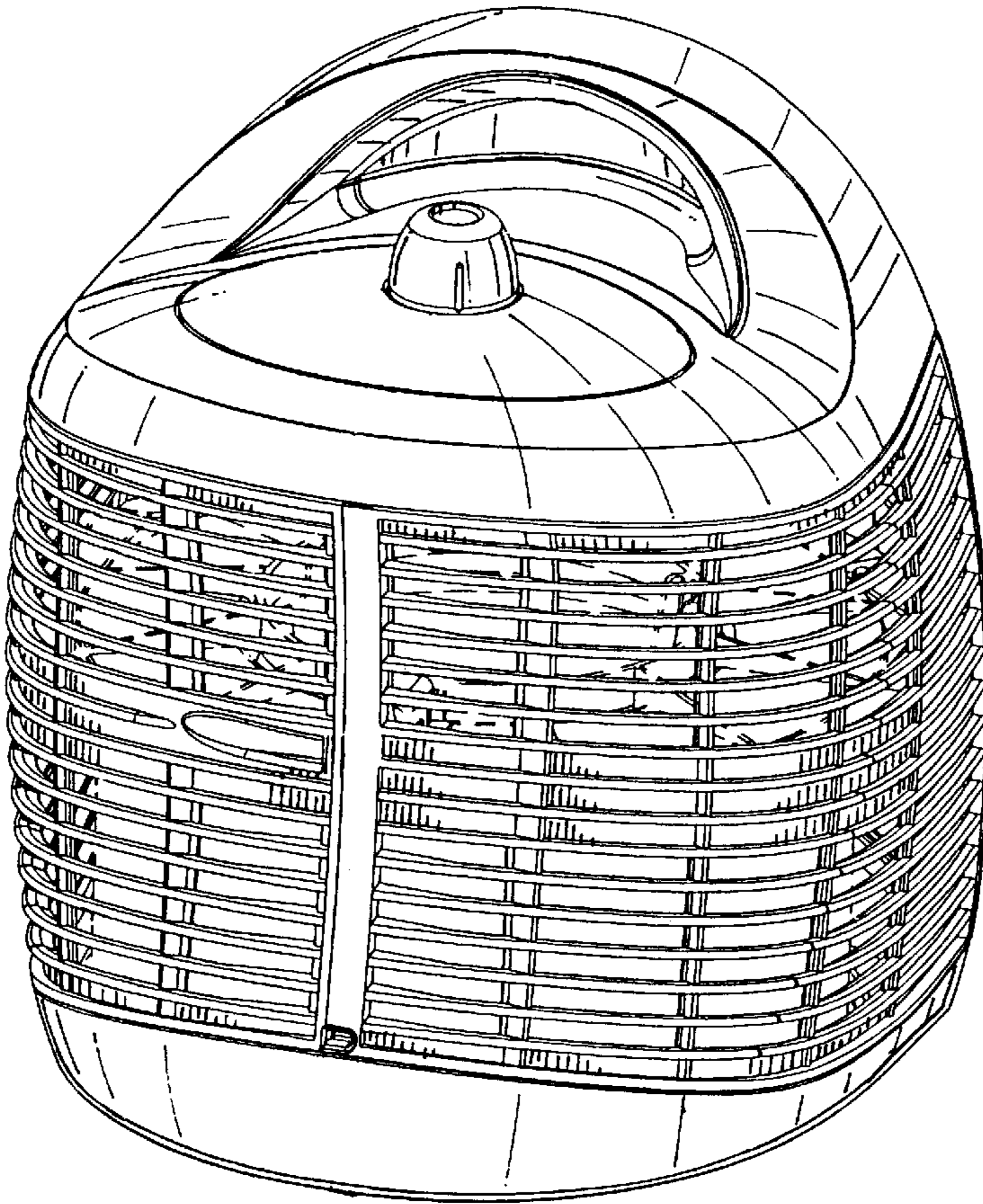


FIG. 8

FIG. 9

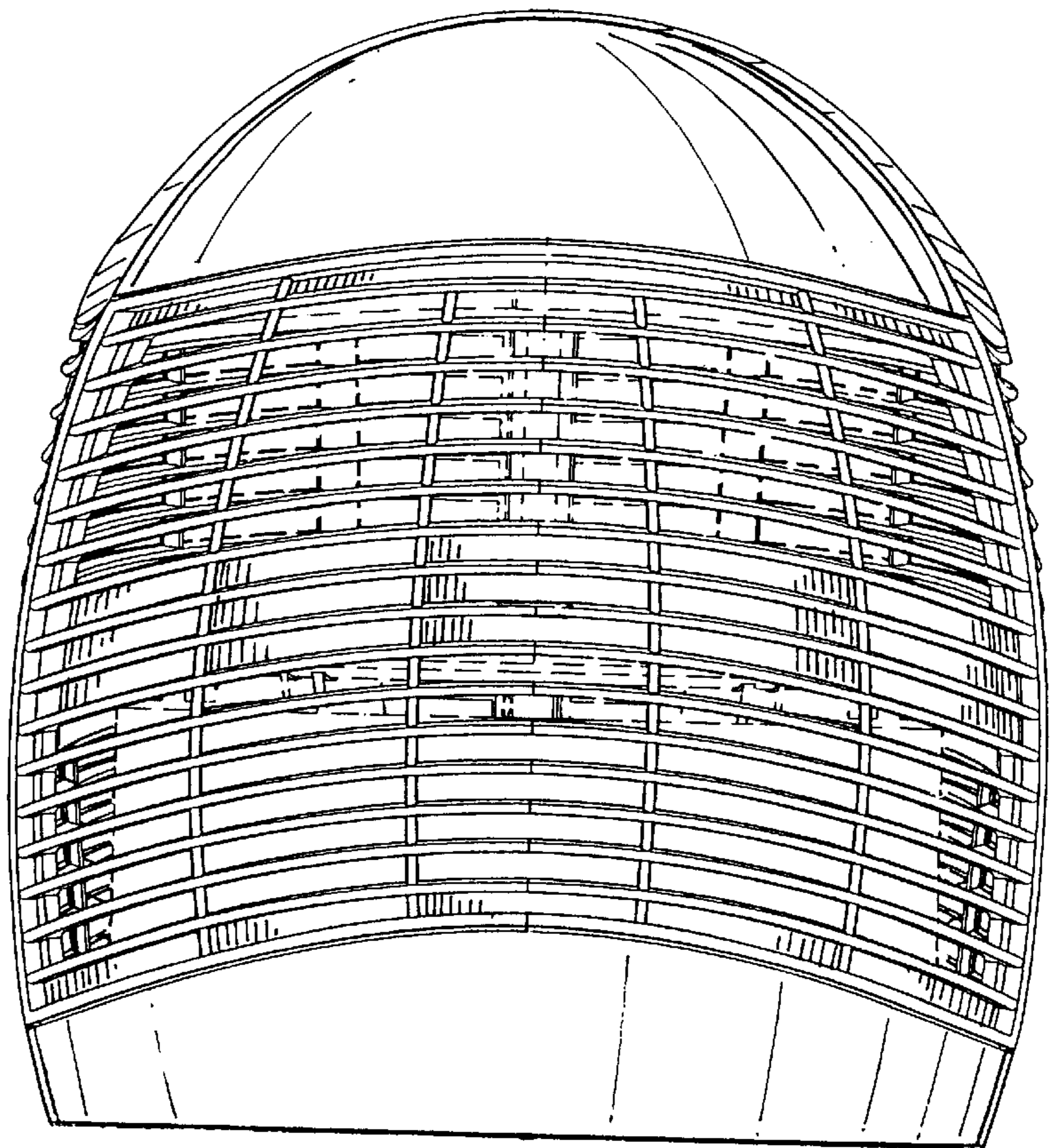
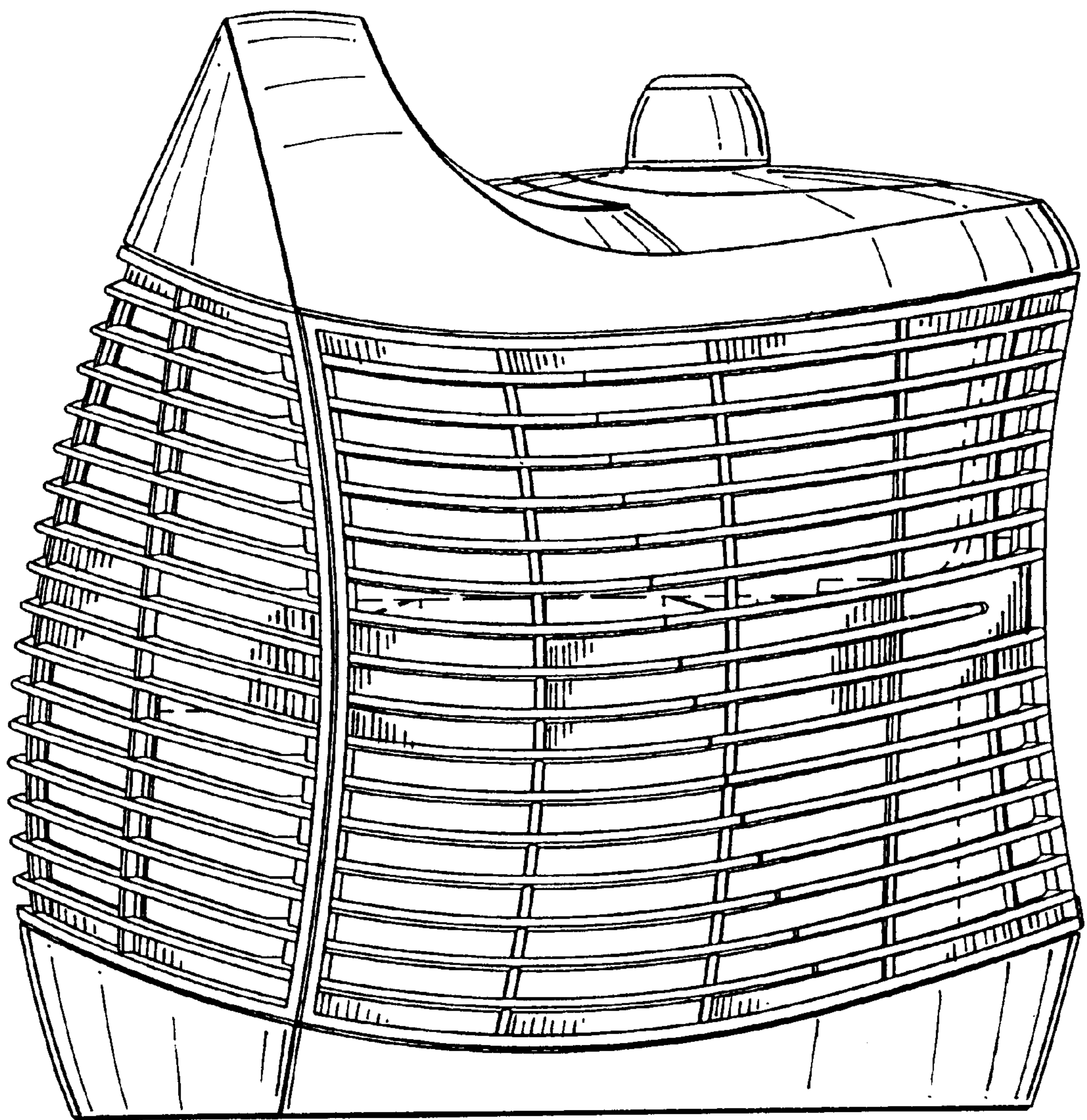




FIG. 10





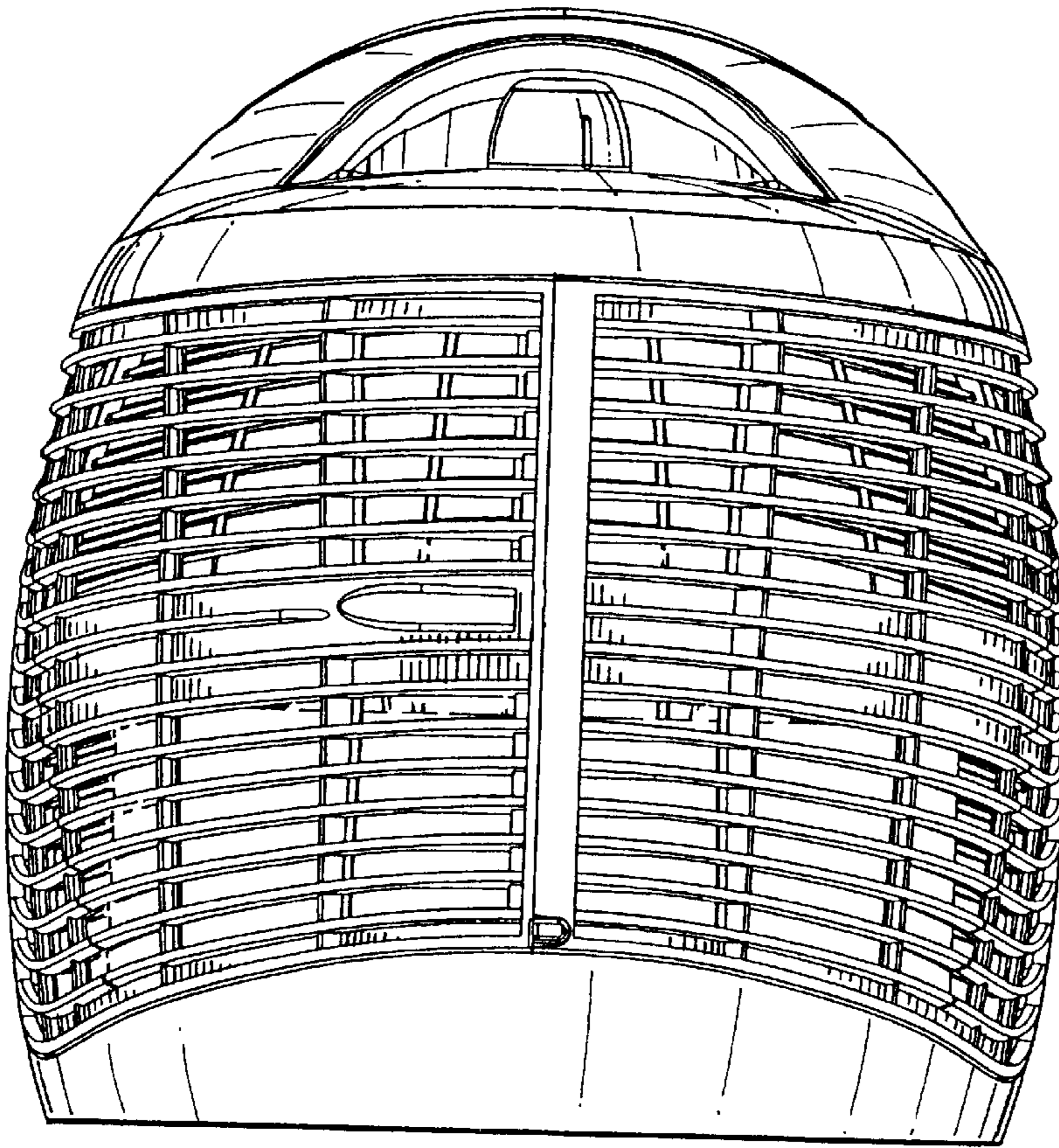


FIG. 11

FIG. 12

