



US00D480123S

(12) **United States Design Patent**
Peterson

(10) **Patent No.:** **US D480,123 S**

(45) **Date of Patent:** **** Sep. 30, 2003**

(54) **INFLATABLE FLOAT**

(75) **Inventor:** **Leroy L. Peterson, Omaha, NE (US)**

(73) **Assignee:** **Sportsstuff, Inc., Omaha, NE (US)**

(**) **Term:** **14 Years**

(21) **Appl. No.:** **29/168,150**

(22) **Filed:** **Sep. 26, 2002**

(51) **LOC (7) Cl.** **21-02**

(52) **U.S. Cl.** **D21/803**

(58) **Field of Search** D21/803, 801,
D21/809, 769, 770; D12/316; 441/129-132,
40-43, 66, 67, 88-101, 81; 114/345, 346;
D6/335, 336, 604; 297/452.41; 472/128,
129

(56) **References Cited**

U.S. PATENT DOCUMENTS

4,101,996 A	*	7/1978	Mikulecky	114/346
D287,528 S	*	12/1986	Maxwell et al.	D21/803
D331,439 S	*	12/1992	Gibson	D21/770
5,476,404 A	*	12/1995	Price	441/131

D407,784 S	*	4/1999	Peterson	D21/803
6,012,778 A	*	1/2000	Peterson	297/452.41
D428,092 S	*	7/2000	Peterson	D21/803
D435,240 S	*	12/2000	Peterson	D12/316
D437,283 S	*	2/2001	Peterson	D12/316
D465,540 S	*	11/2002	Peterson	D21/803

* cited by examiner

Primary Examiner—Lucy Lieberman

(74) *Attorney, Agent, or Firm*—Sturm & Fix LLP

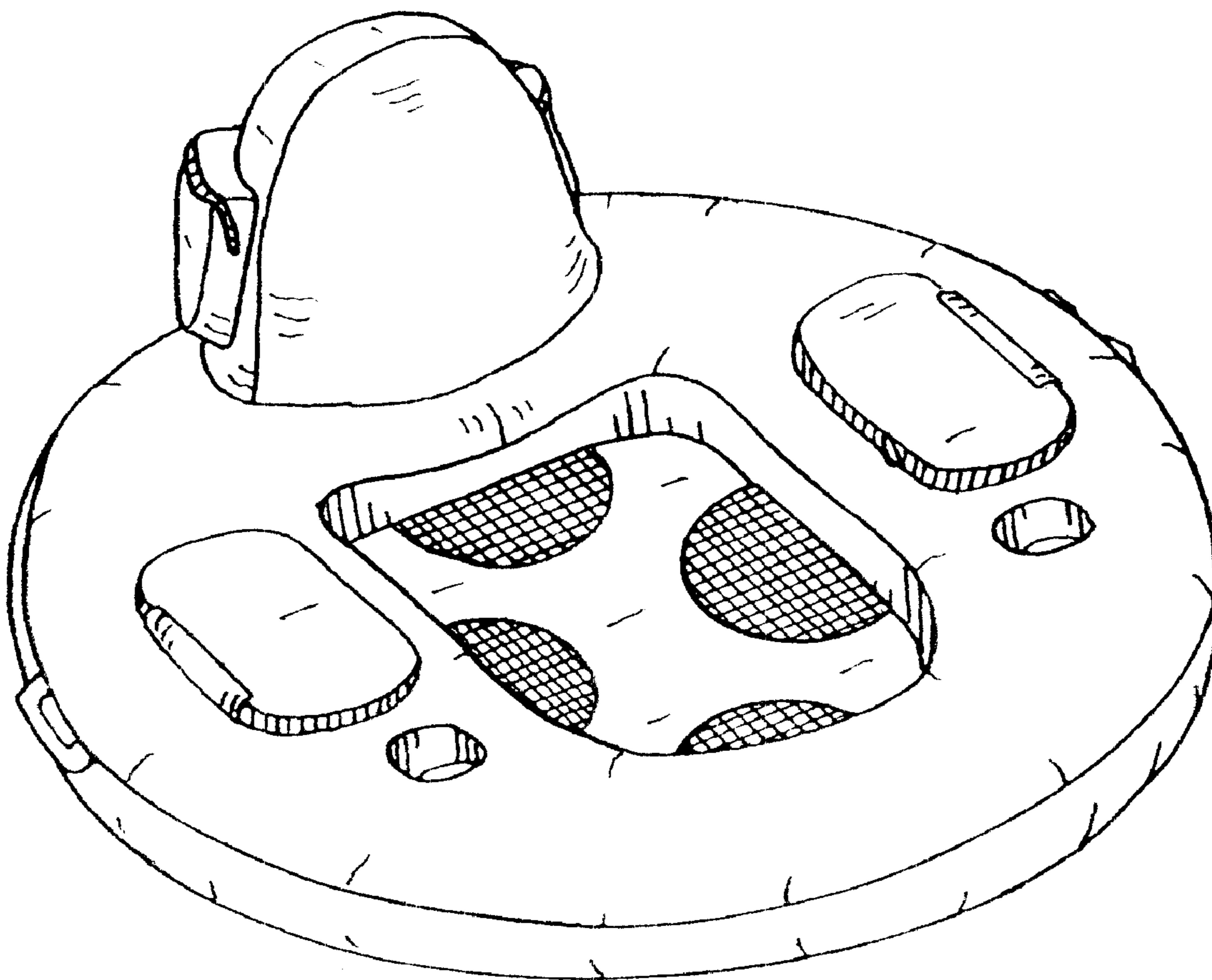
(57) **CLAIM**

The ornamental design for an inflatable float, as shown and described.

DESCRIPTION

FIG. 1 is a perspective view of an inflatable float showing my new design;
FIG. 2 is a top plan view thereof;
FIG. 3 is a right side elevation thereof;
FIG. 4 is a left side elevational view thereof;
FIG. 5 is a bottom plan view thereof;
FIG. 6 is a front elevational view thereof; and,
FIG. 7 is a rear elevational view thereof.

1 Claim, 2 Drawing Sheets



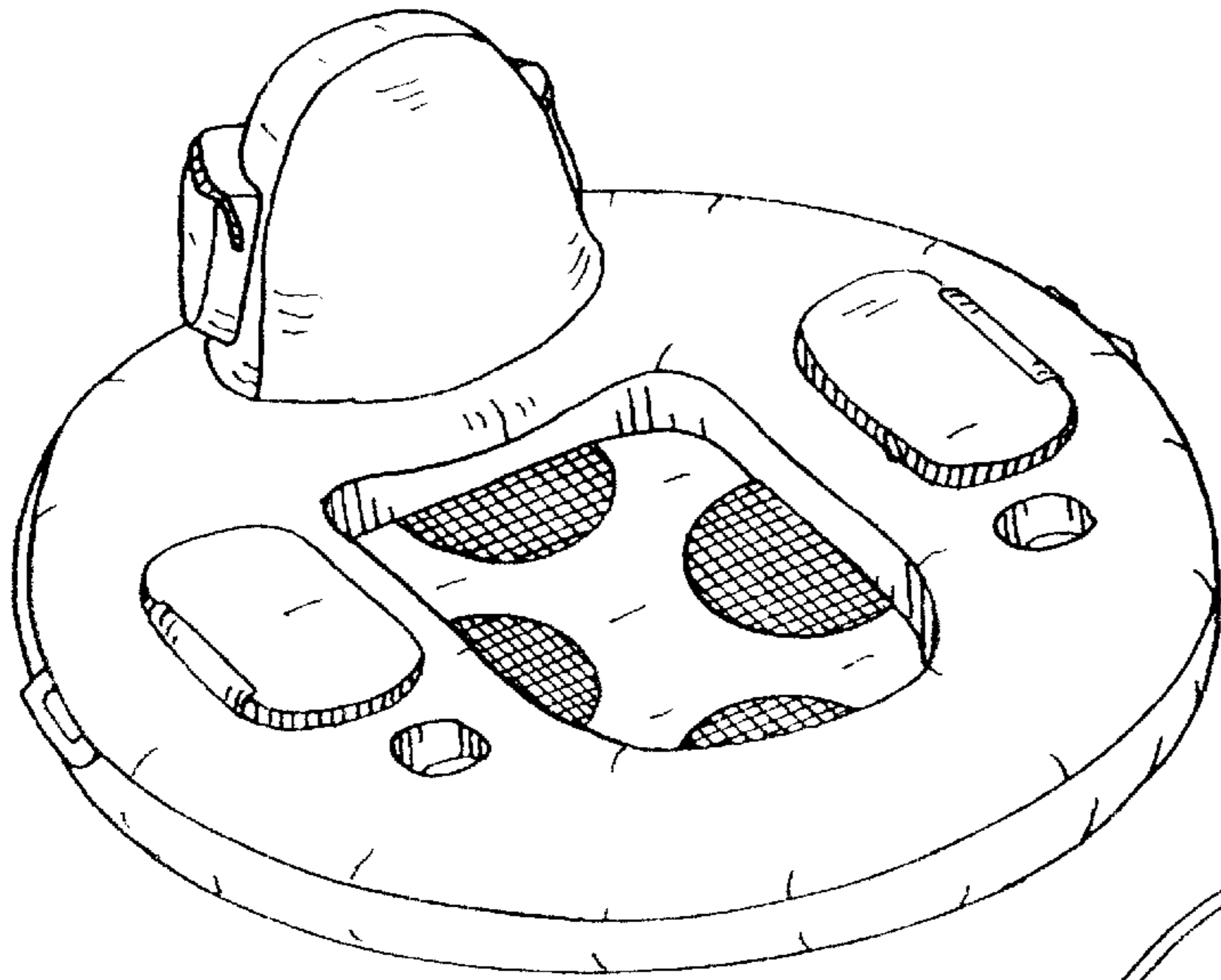


Fig. 1

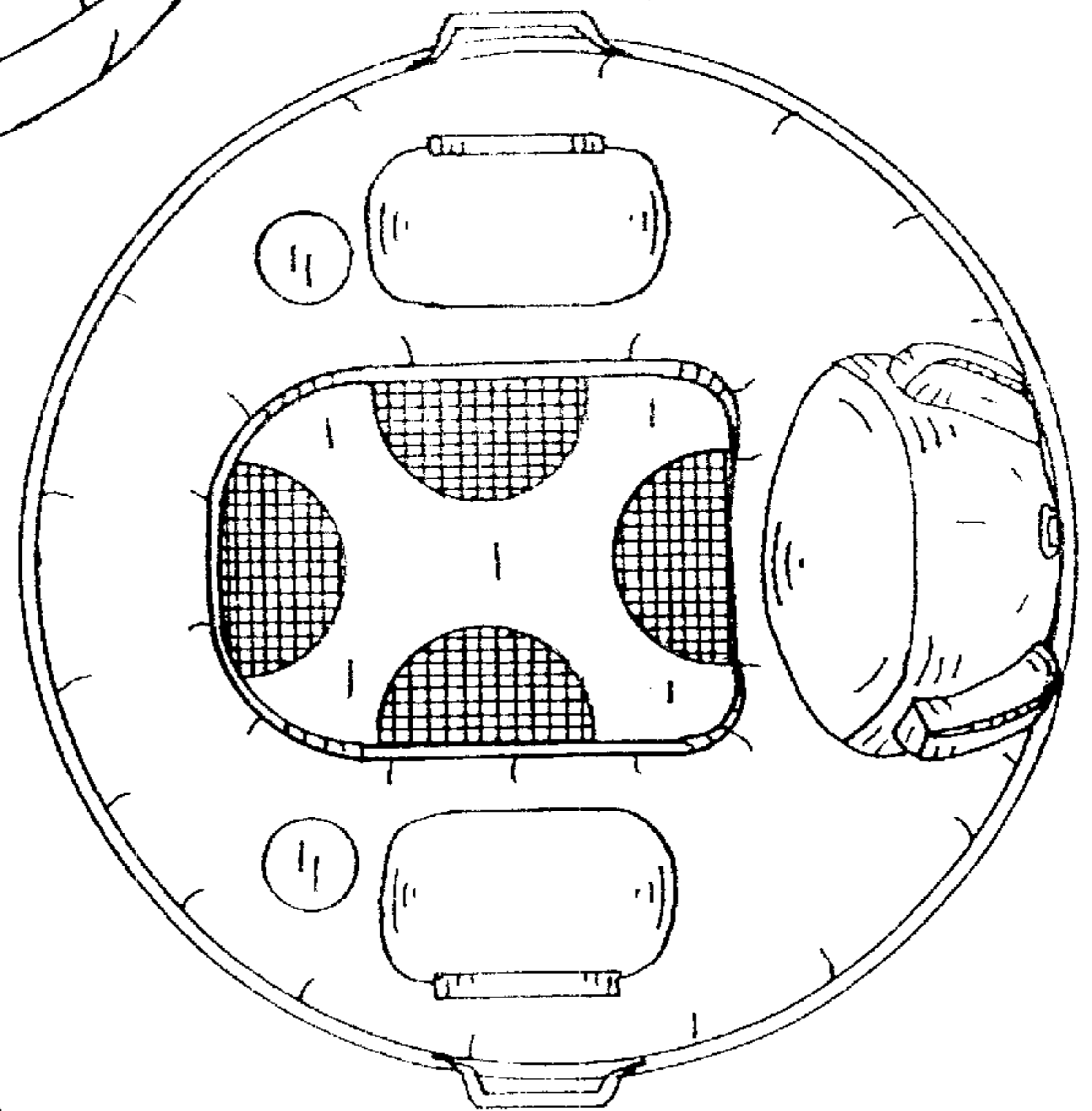


Fig. 2

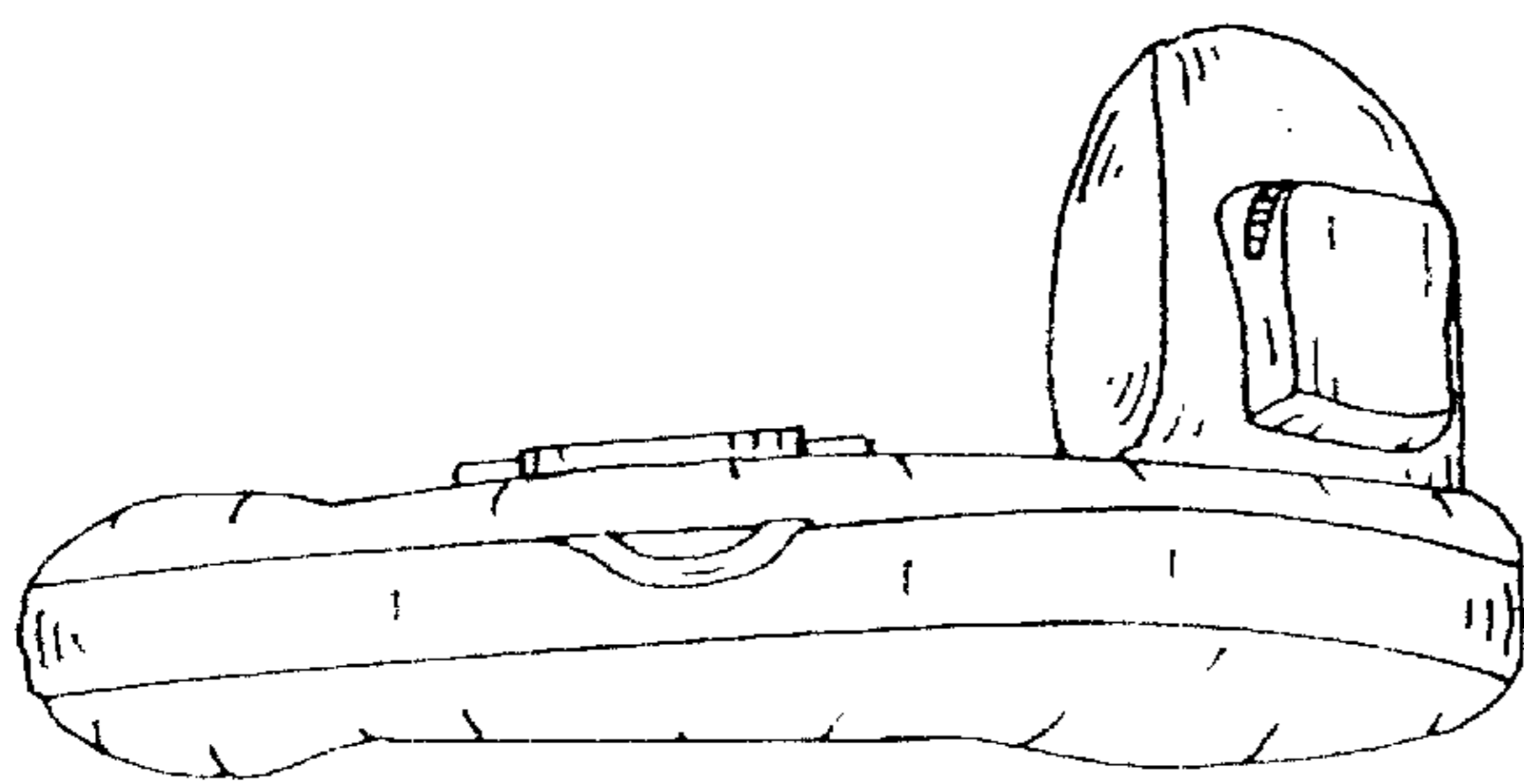


Fig. 3

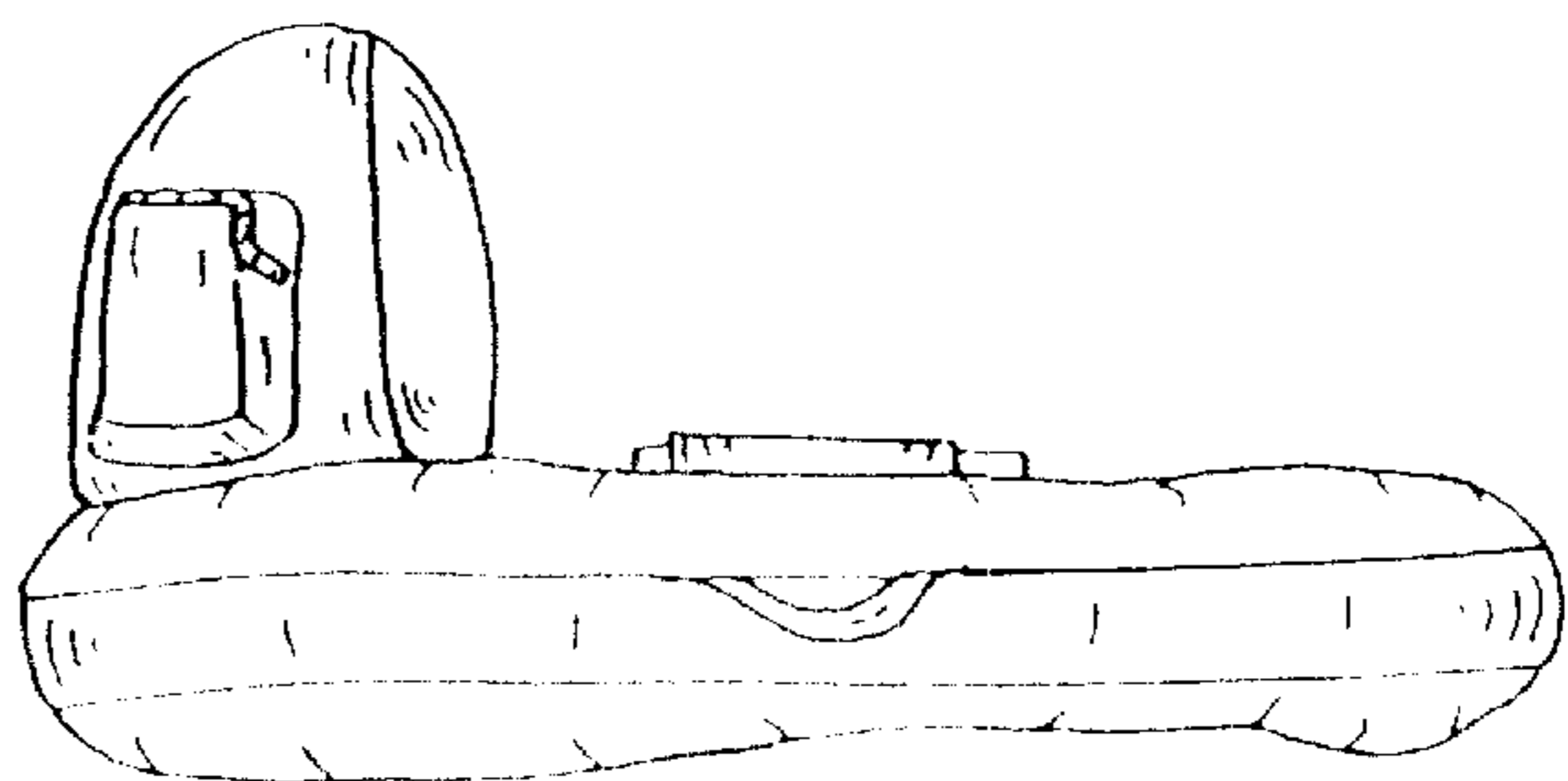


Fig. 4

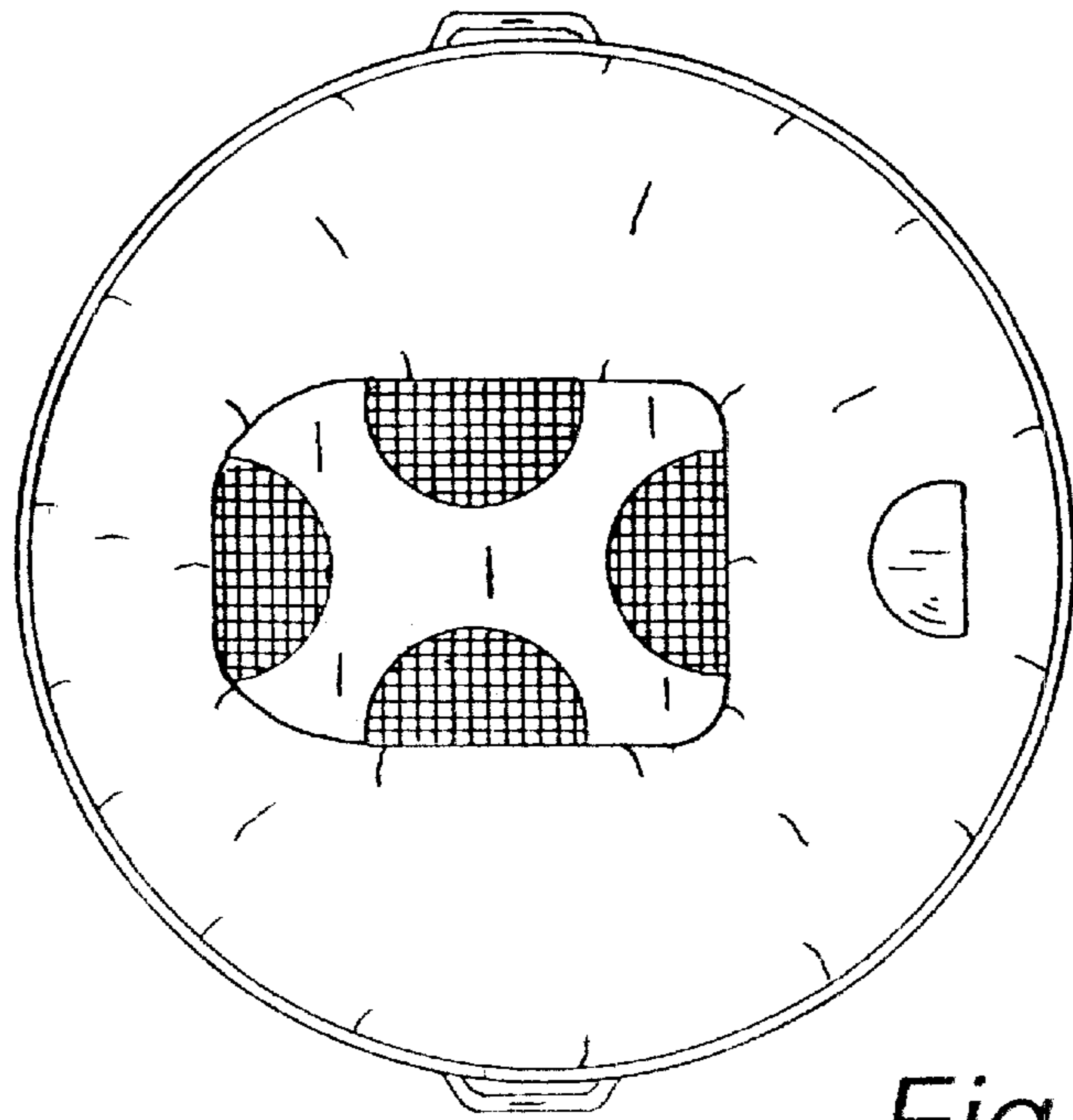


Fig. 5

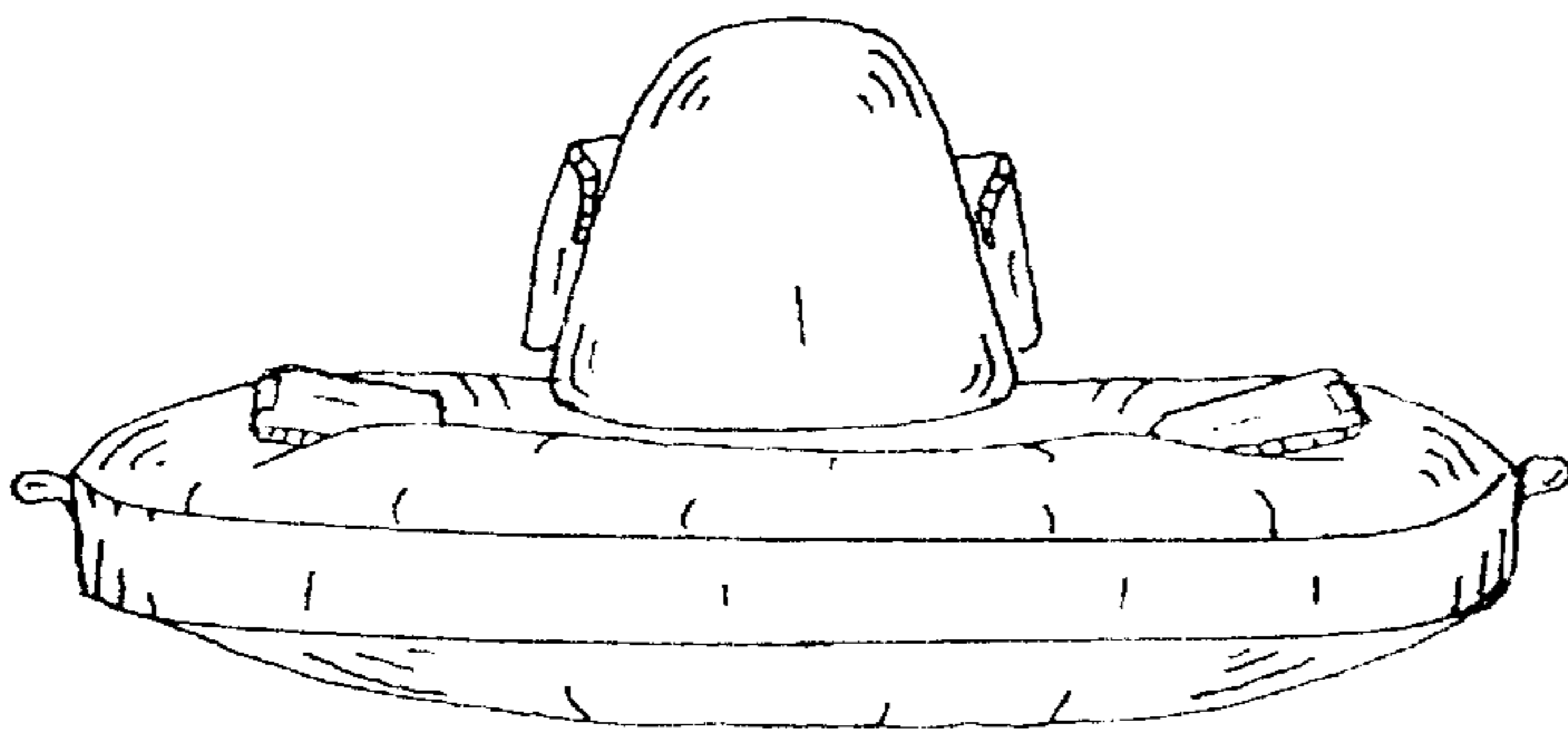


Fig. 6

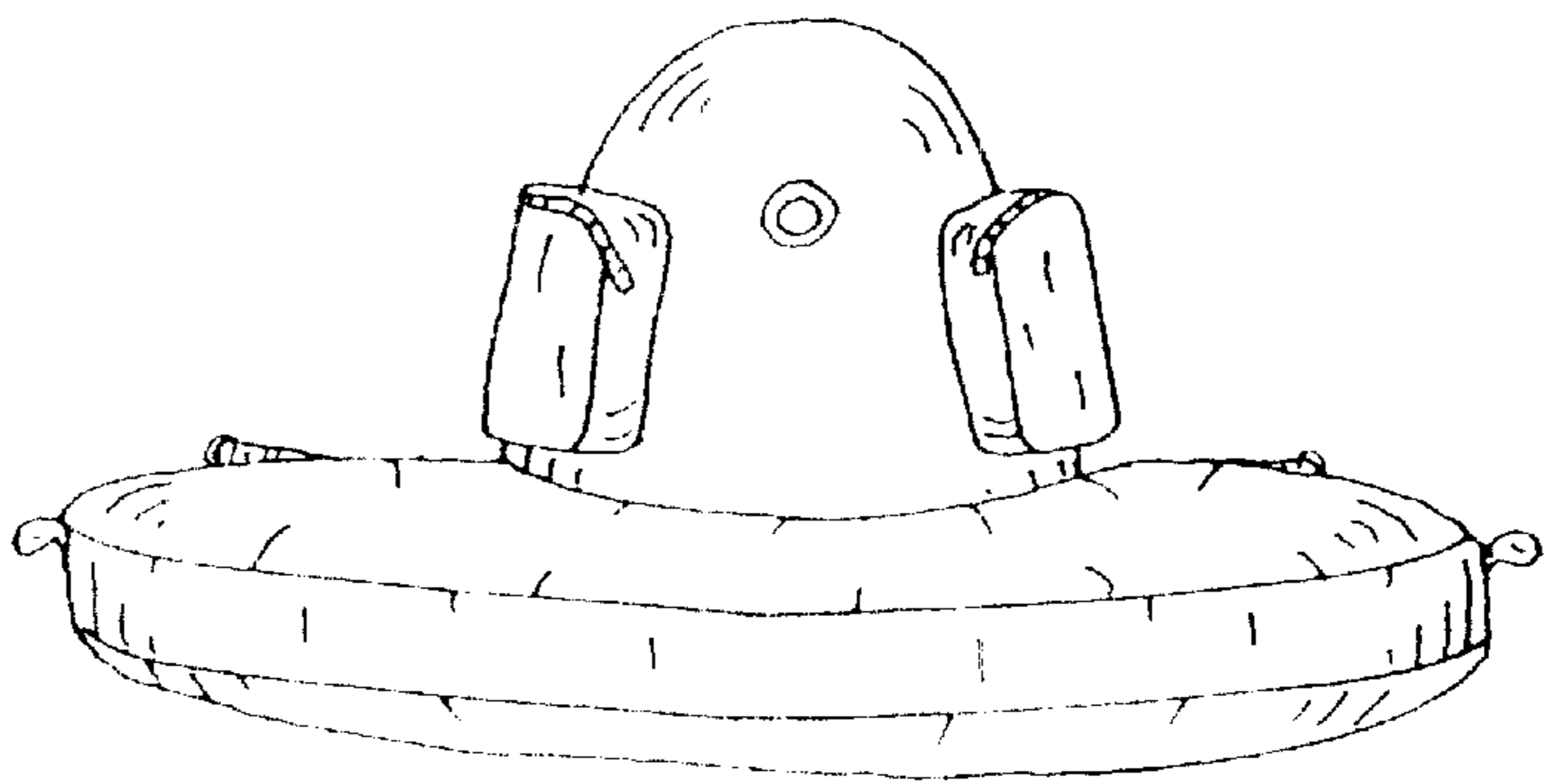


Fig. 7