



US00D480121S

(12) **United States Design Patent**
Lee

(10) **Patent No.:** **US D480,121 S**

(45) **Date of Patent:** **** Sep. 30, 2003**

(54) **FRAME MEMBER FOR AN EXERCISER**

DESCRIPTION

(76) Inventor: **Kuo-Lung Lee**, No. 61, Mai Jou II Rd.,
Yi Lan City (TW)

(**) Term: **14 Years**

(21) Appl. No.: **29/161,572**

(22) Filed: **Jun. 3, 2002**

(51) **LOC (7) Cl.** **21-02**

(52) **U.S. Cl.** **D21/694**

(58) **Field of Search** D21/691, 694,
D21/662, 663, 673; D25/38, 41, 122; 482/51,
54; 256/59, 65

Primary Examiner—Philip S. Hyder

(74) *Attorney, Agent, or Firm*—Troxell Law Office PLLC

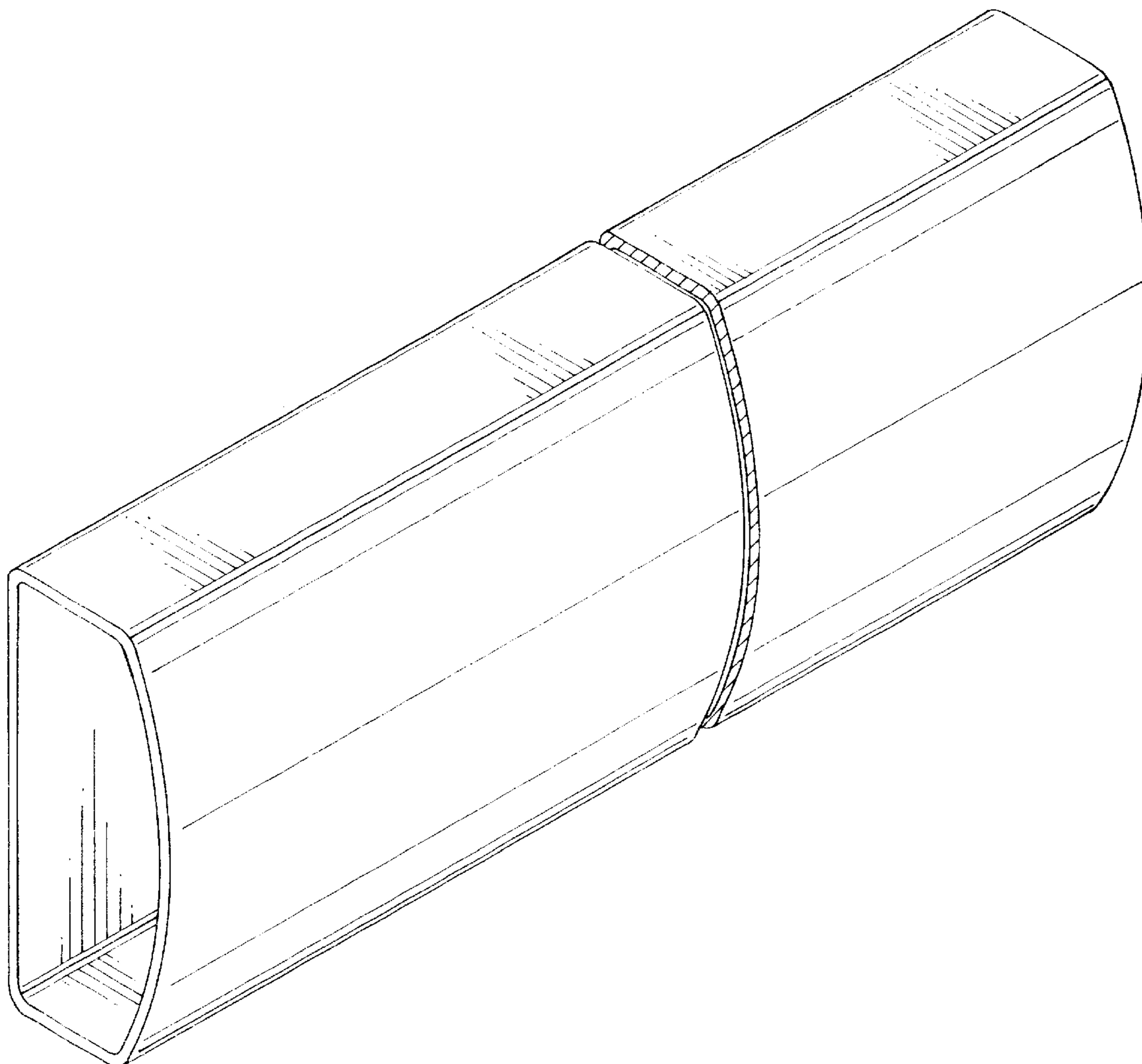
(57) **CLAIM**

The ornamental design for a frame member for an exerciser,
as shown and described.

FIG. 1 is a perspective view of a frame member for an exerciser showing my new design;
FIG. 2 is a front elevational view thereof; the rear side being a mirror image of that shown;
FIG. 3 is a top view thereof; the bottom plan view being a mirror image of that shown;
FIG. 4 is a left side elevational view thereof;
FIG. 5 is a right side elevational view thereof;
FIG. 6 is a perspective view thereof;
FIG. 7 is a perspective view thereof;
FIG. 8 is a perspective view thereof;
FIG. 9 is a perspective view thereof;
FIG. 10 is a perspective view thereof; and,
FIG. 11 is a perspective view thereof.

The broken line showings of the exerciser structure in FIGS. 6 through 11 are for illustrative purposes only and form no part of the claimed design.

1 Claim, 11 Drawing Sheets



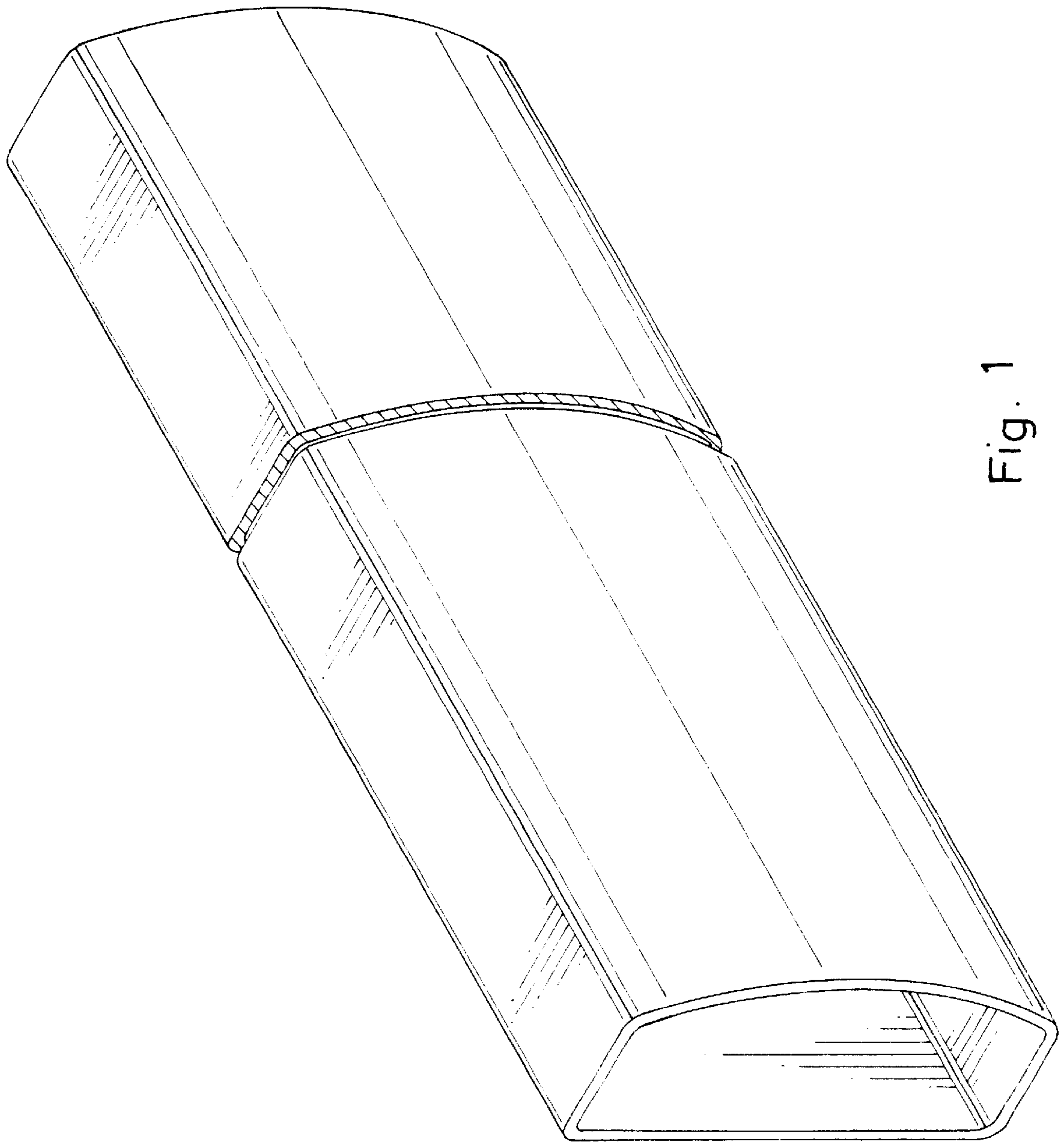


Fig. 1

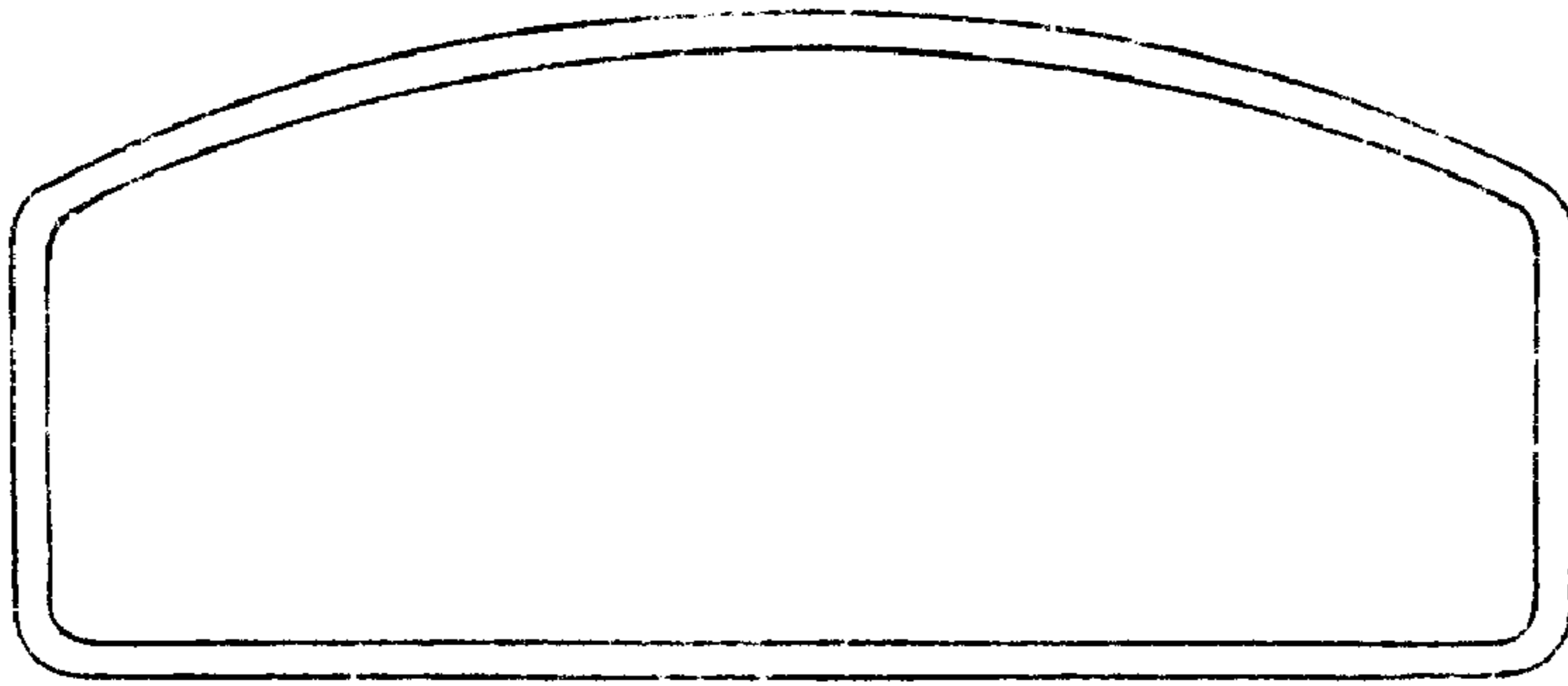


Fig. 2

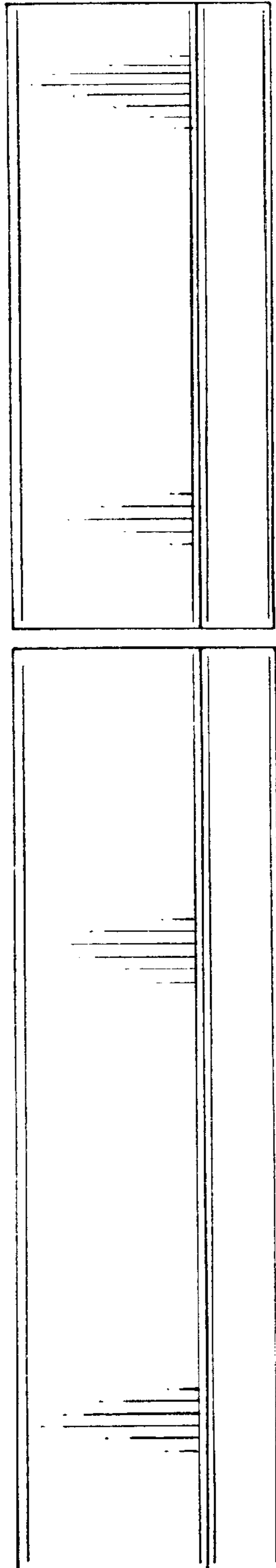


Fig. 3

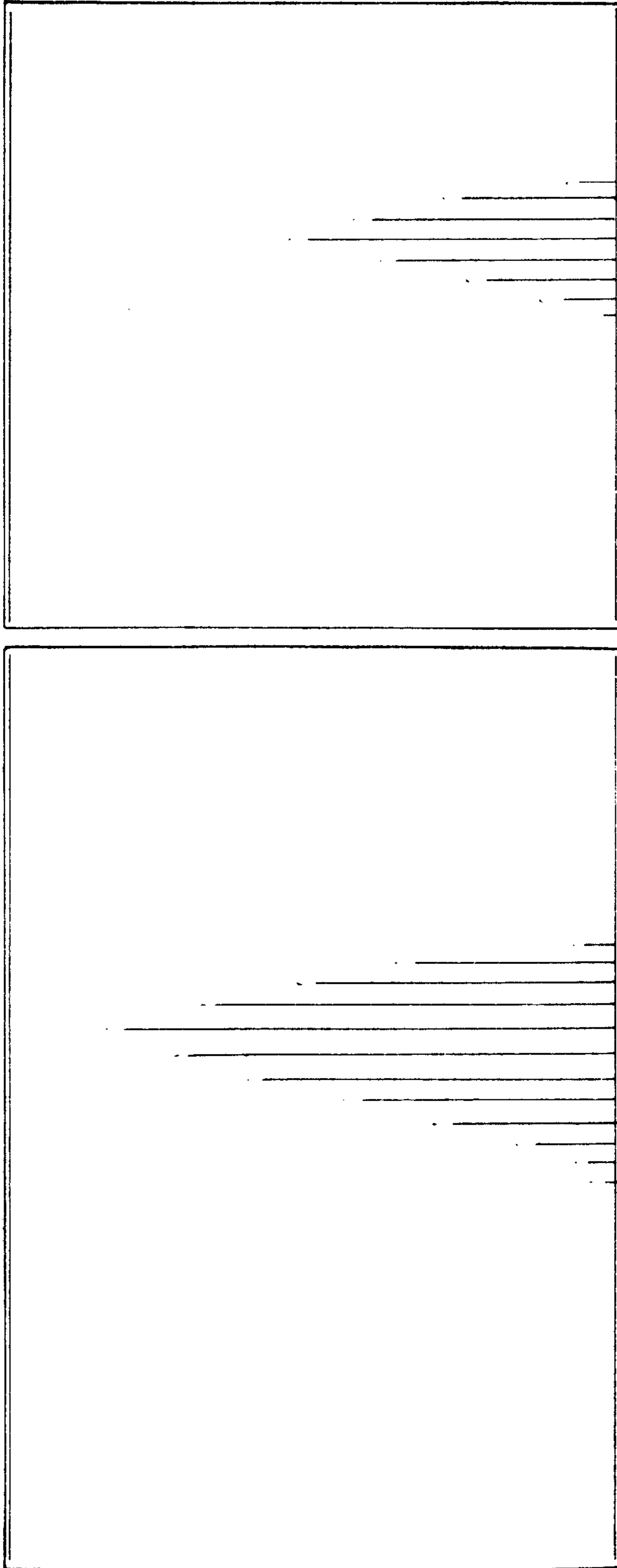


Fig. 4

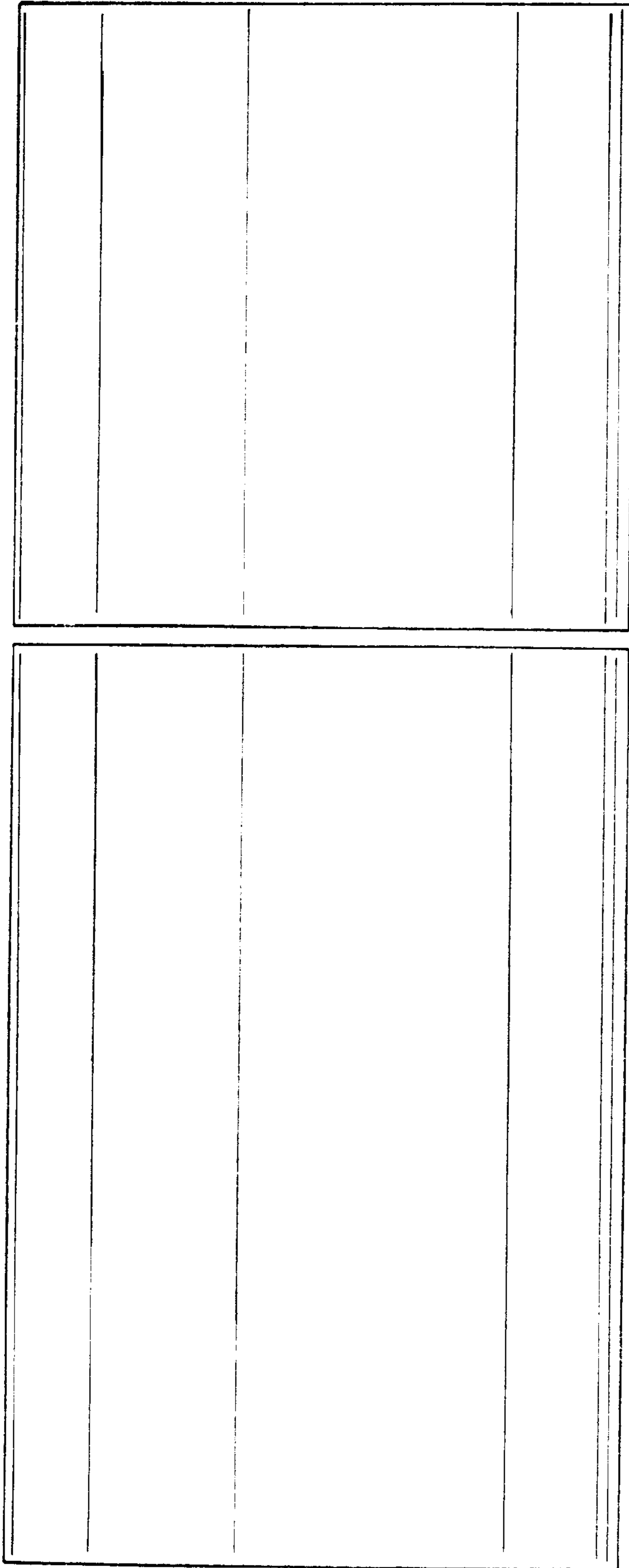


Fig. 5

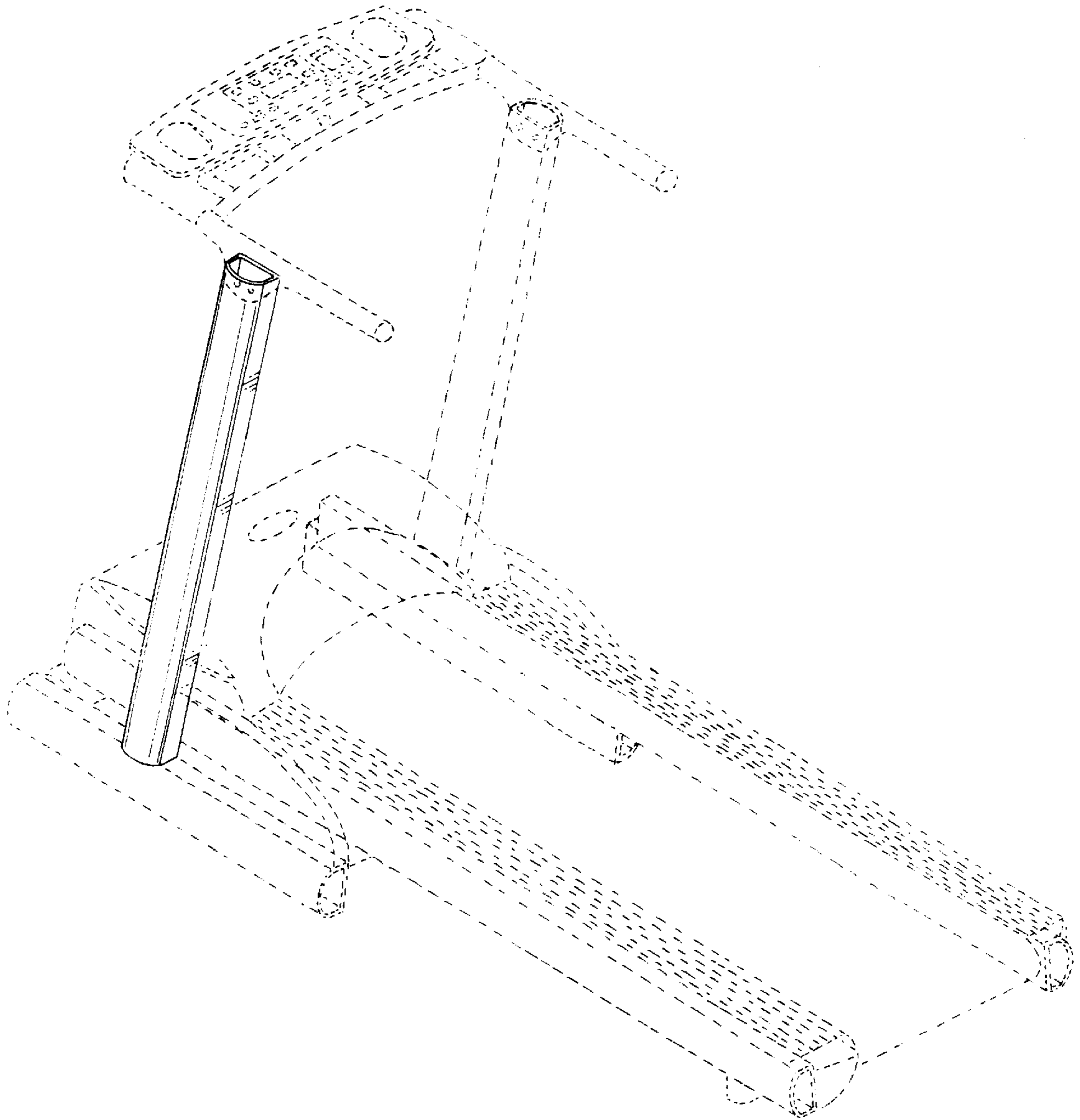


Fig. 6

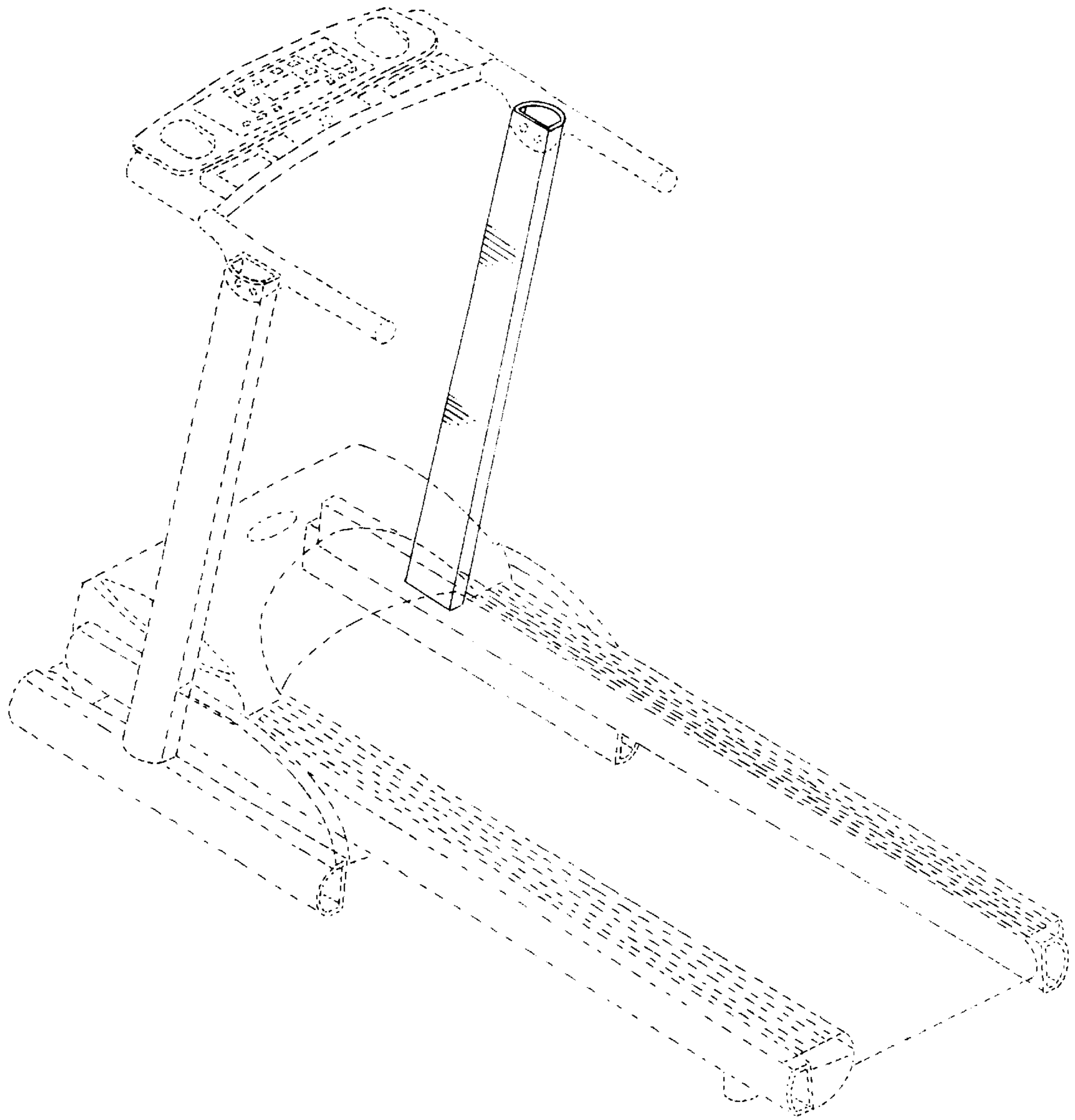


Fig. 7

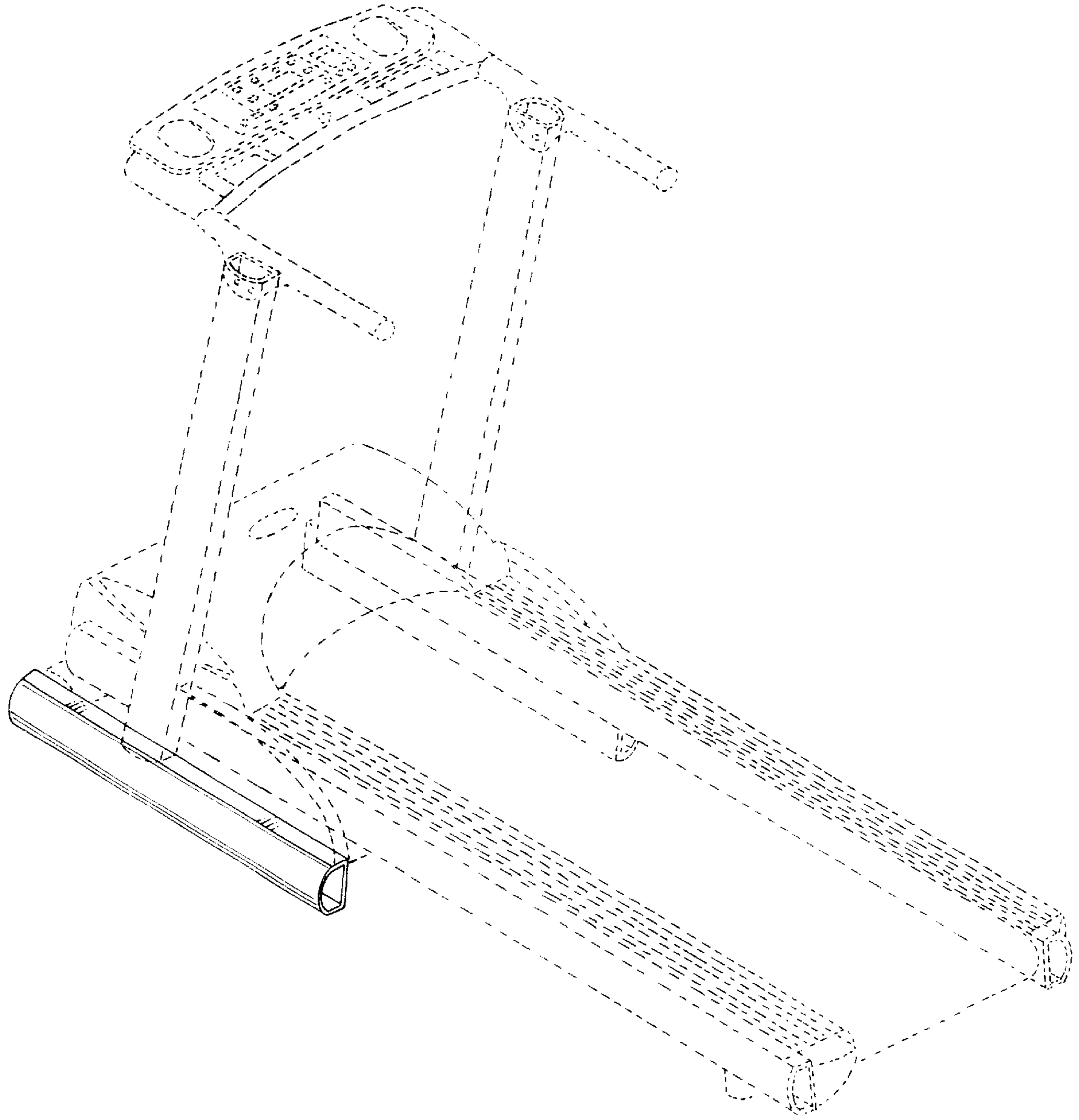


Fig. 8

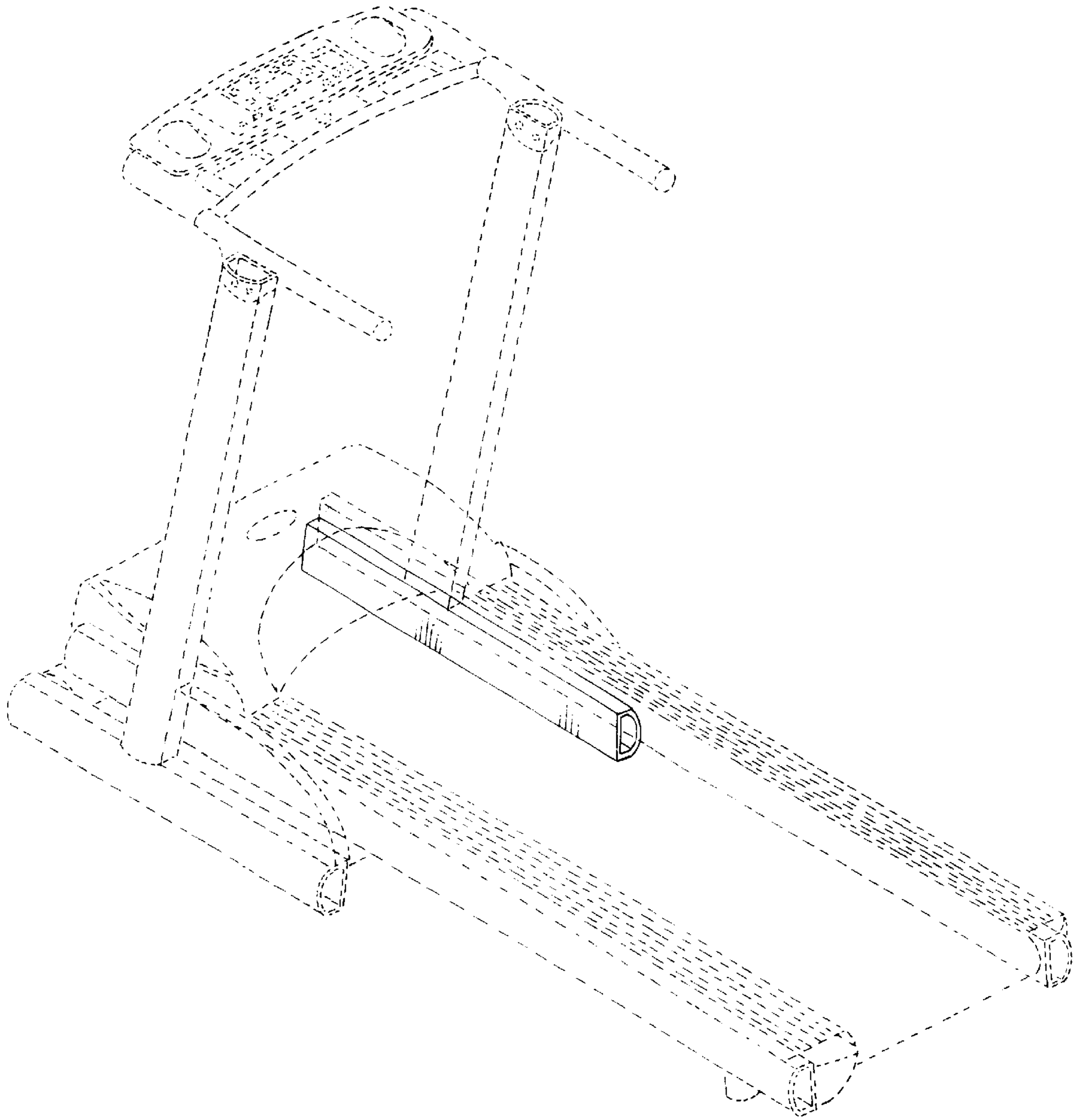


Fig. 9

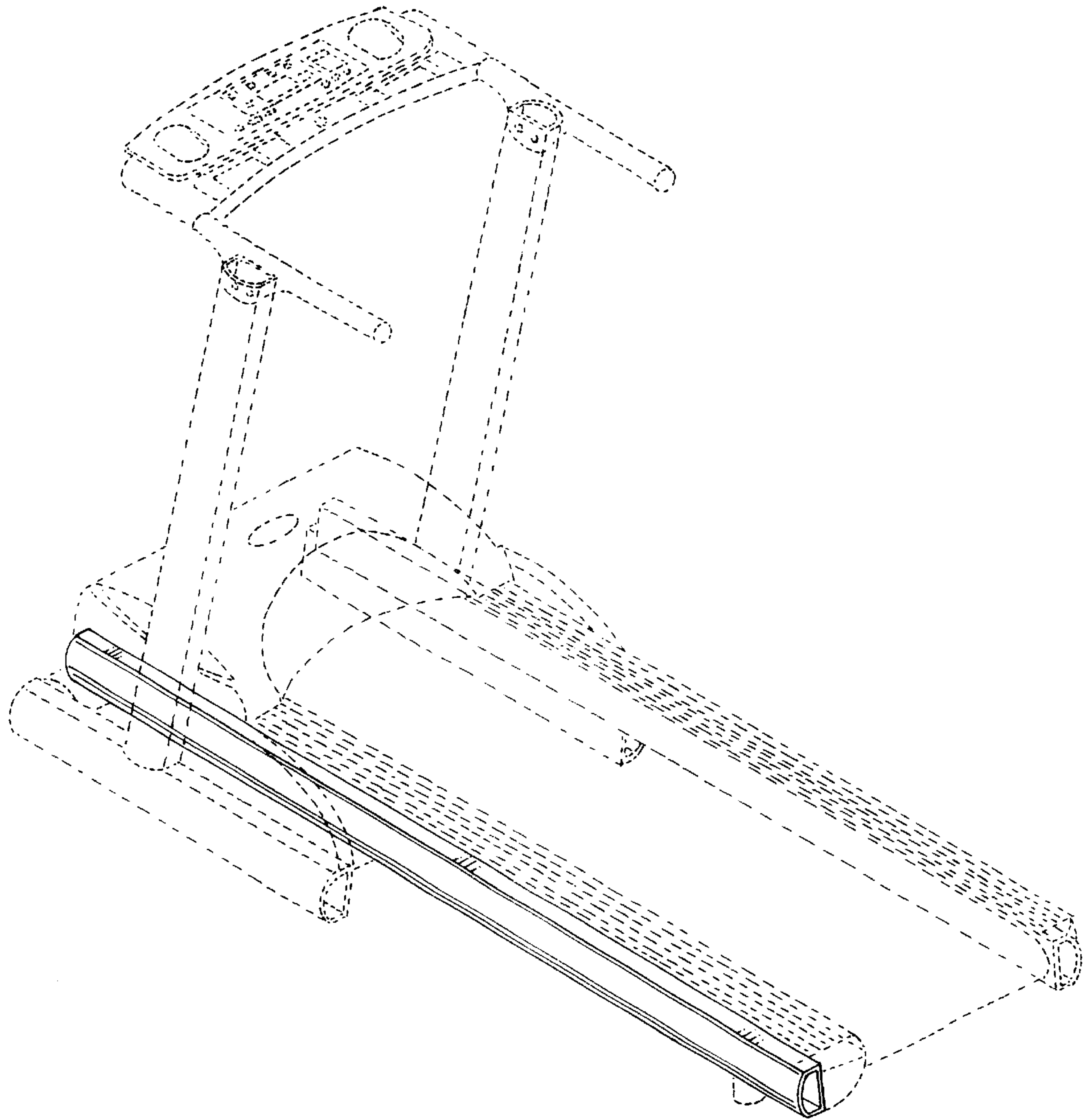


Fig. 10

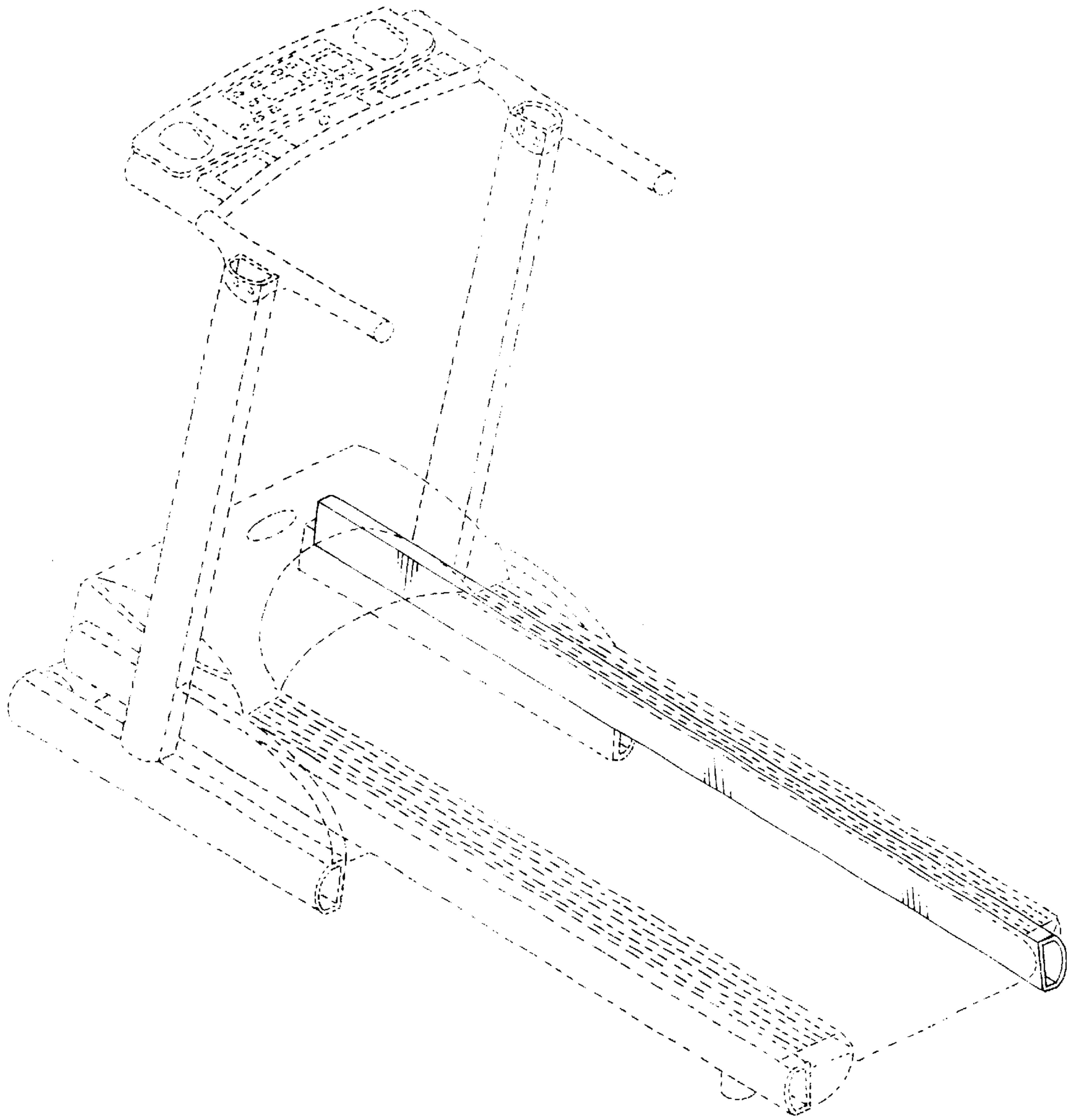


Fig. 11