



US00D480120S

(12) **United States Design Patent**
Arai et al.

(10) **Patent No.: US D480,120 S**

(45) **Date of Patent: ** Sep. 30, 2003**

(54) **EXERCISE STATIONARY BIKE**

(75) Inventors: **Kazuhiko Arai, Saitama-Ken (JP);
Takeshi Inoue, Saitama-Ken (JP);
Harukaze Koga, Tokyo (JP)**

(73) Assignee: **Combi Corporation, Tokyo (JP)**

(**) Term: **14 Years**

(21) Appl. No.: **29/172,269**

(22) Filed: **Dec. 10, 2002**

(30) **Foreign Application Priority Data**

Jun. 13, 2002 (JP) 2002-015941

(51) **LOC (7) Cl. 21-02**

(52) **U.S. Cl. D21/666**

(58) **Field of Search** D21/662, 663,
D21/664, 665, 666, 667, 668, 670; 482/51,
52, 54, 55, 57, 58, 59

(56) **References Cited**

U.S. PATENT DOCUMENTS

D300,047 S * 2/1989 Sheltra D21/666
D320,826 S * 10/1991 Hildebrandt et al. D21/666
D324,090 S * 2/1992 Miller D21/666
D340,758 S * 10/1993 Ueda D21/666
D342,299 S * 12/1993 Birrell et al. D21/666

D347,039 S * 5/1994 Littrell et al. D21/666
D353,422 S * 12/1994 Bostic et al. D21/665
D355,942 S * 2/1995 Wu D21/666
D372,060 S * 7/1996 Wang et al. D21/666
D403,032 S * 12/1998 Huang D21/666
D437,369 S * 2/2001 Tsushi D21/666
D439,289 S * 3/2001 Moran et al. D21/666

* cited by examiner

Primary Examiner—Philip S. Hyder

(74) *Attorney, Agent, or Firm*—Whitham, Curtis & Christofferson, p.C.

(57) **CLAIM**

The ornamental design for an exercise stationary bike, as shown and described.

DESCRIPTION

FIG. 1 is a front perspective view of an exercise stationary bike showing our new design;
FIG. 2 is a rear perspective view thereof;
FIG. 3 is a front view thereof;
FIG. 4 is a rear view thereof;
FIG. 5 is a left side view thereof;
FIG. 6 is a right side view thereof;
FIG. 7 is a top plan view thereof; and,
FIG. 8 is a bottom view thereof.

1 Claim, 6 Drawing Sheets

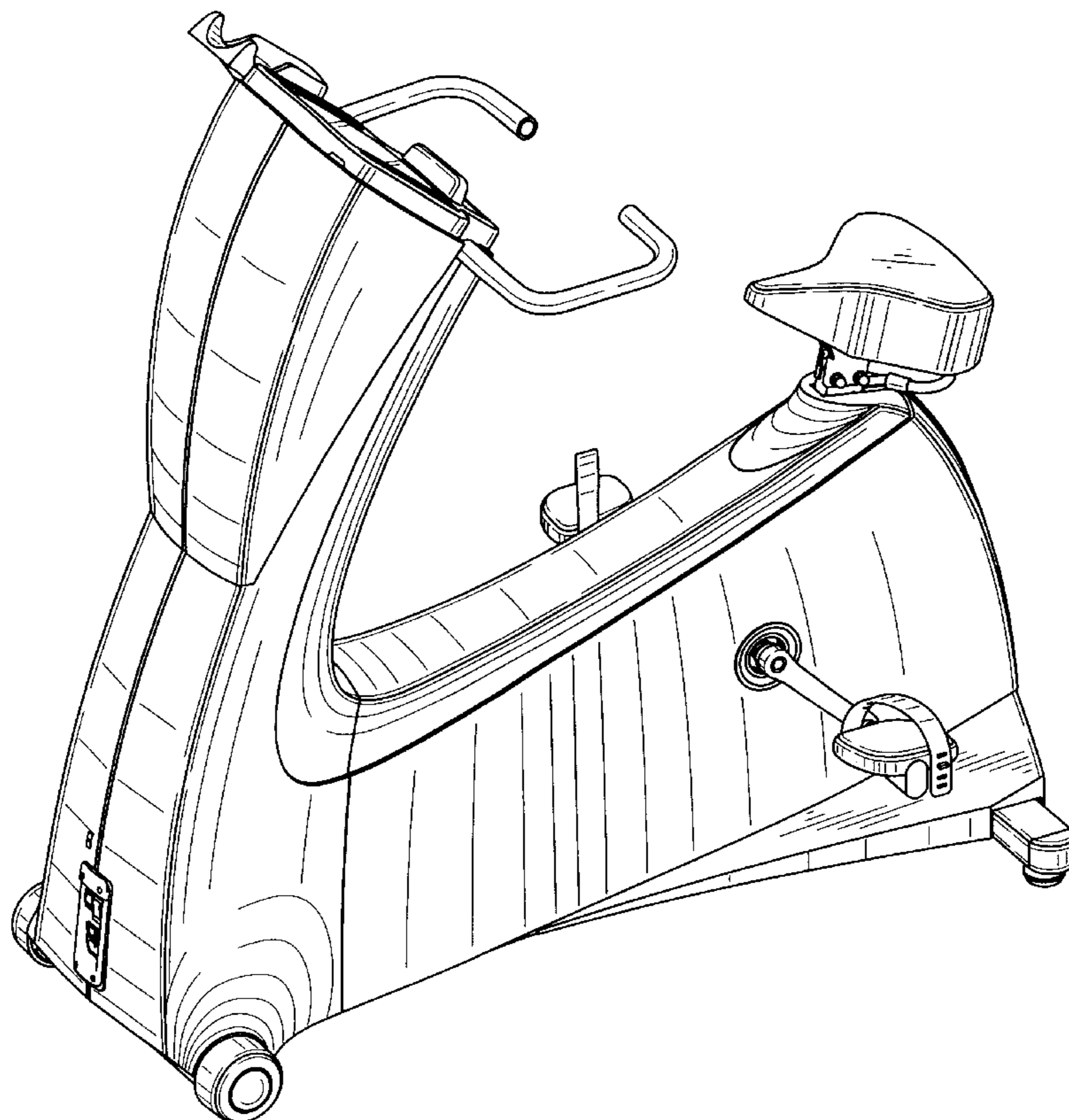


FIG. 1

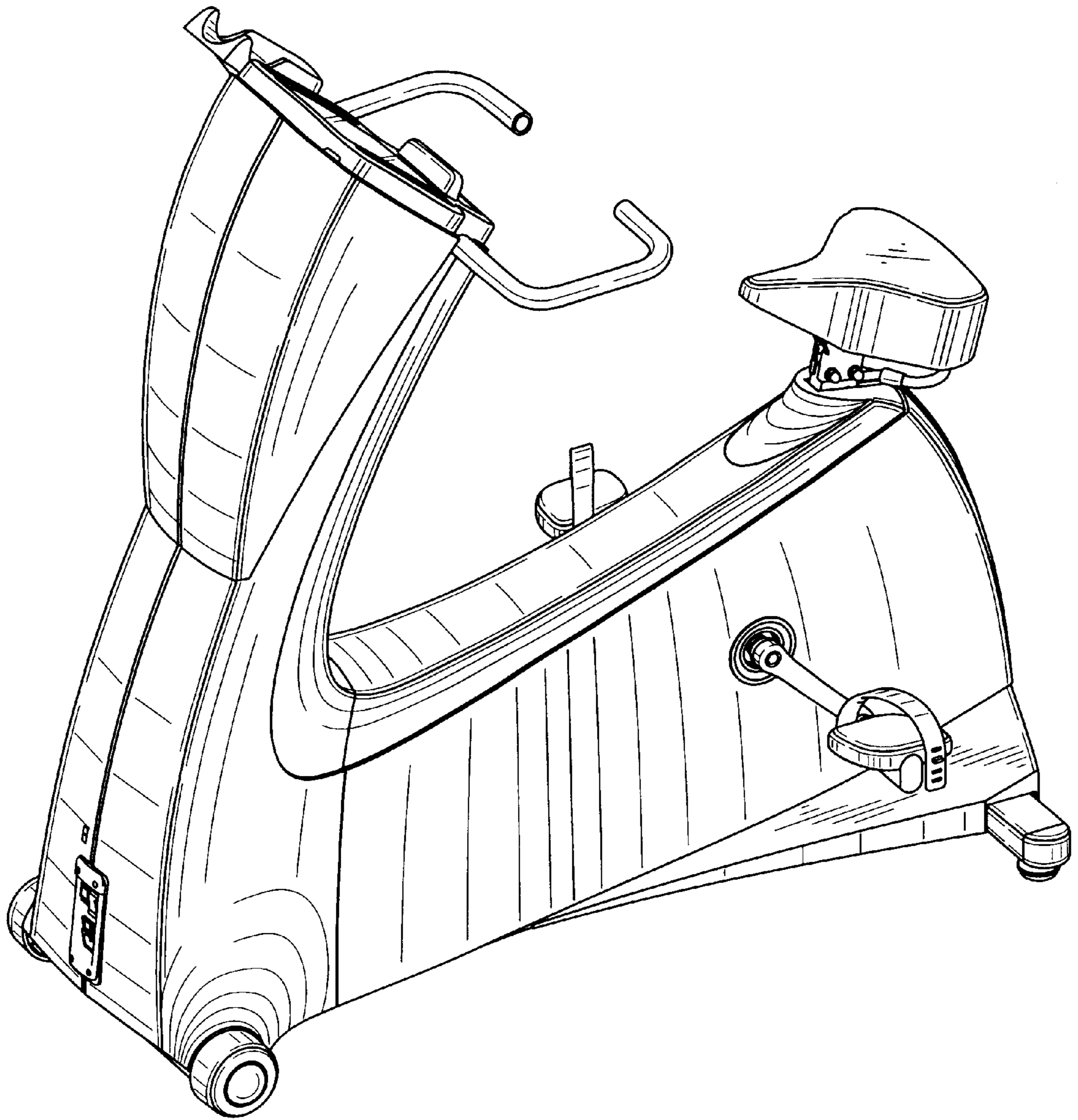


FIG. 2

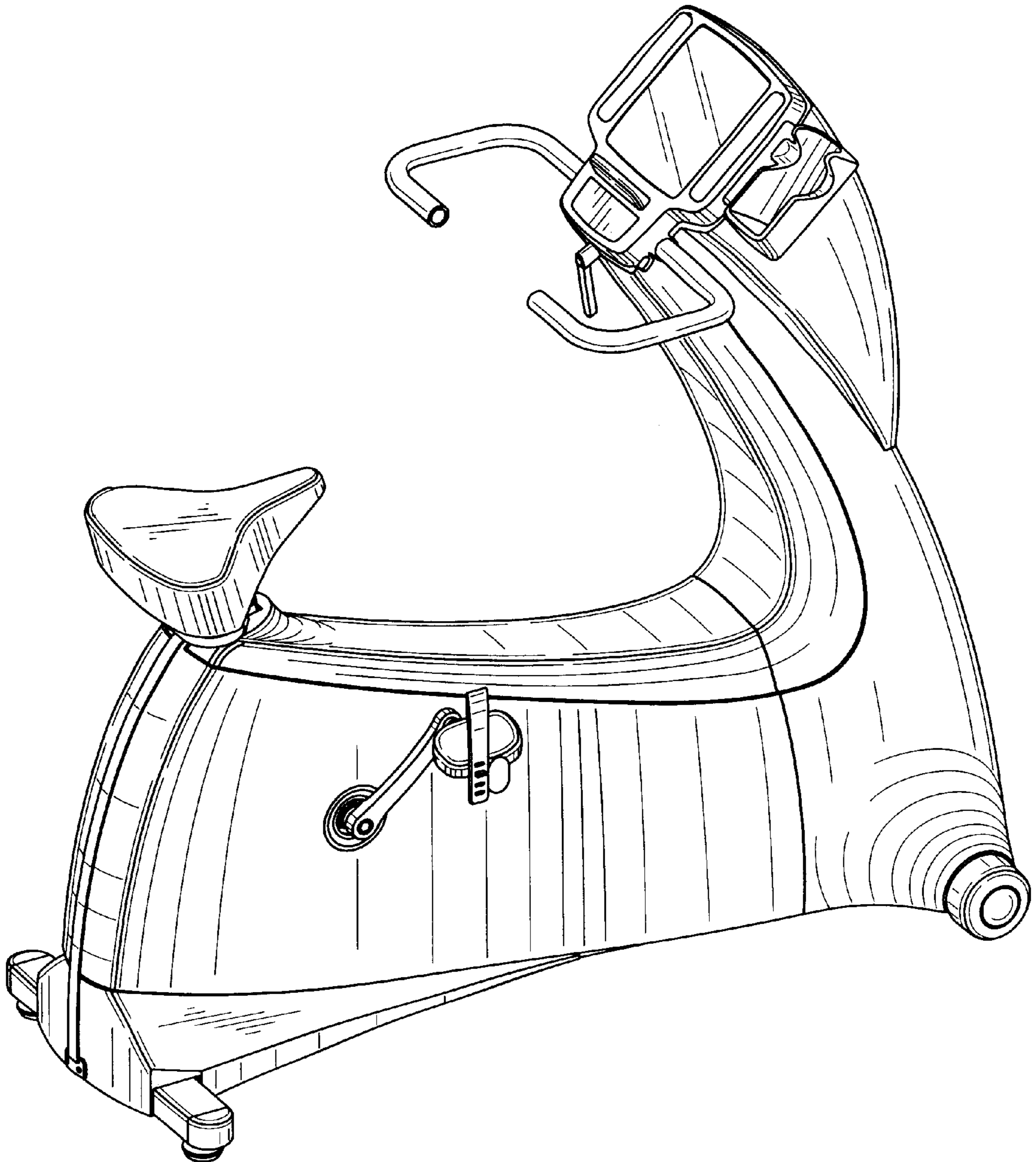


FIG. 3

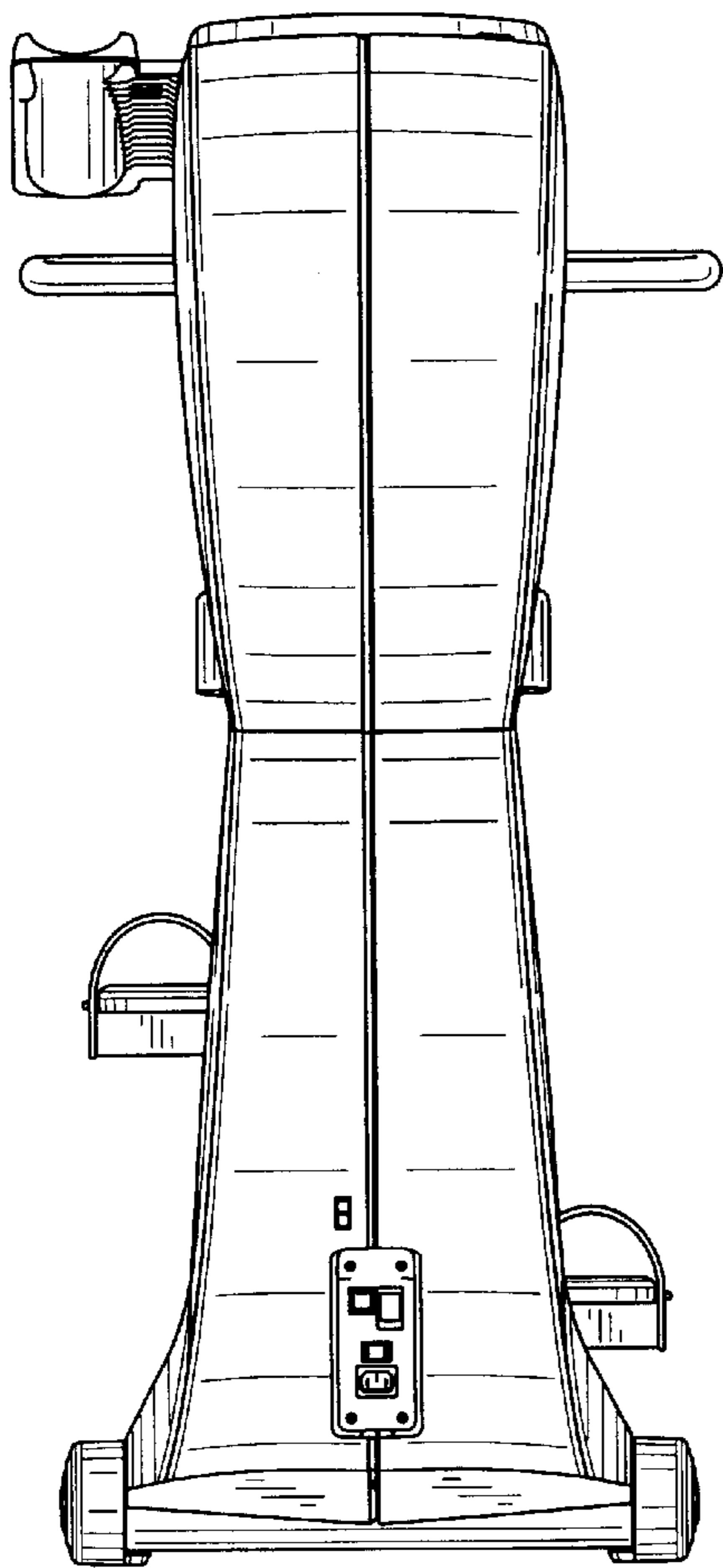


FIG. 4

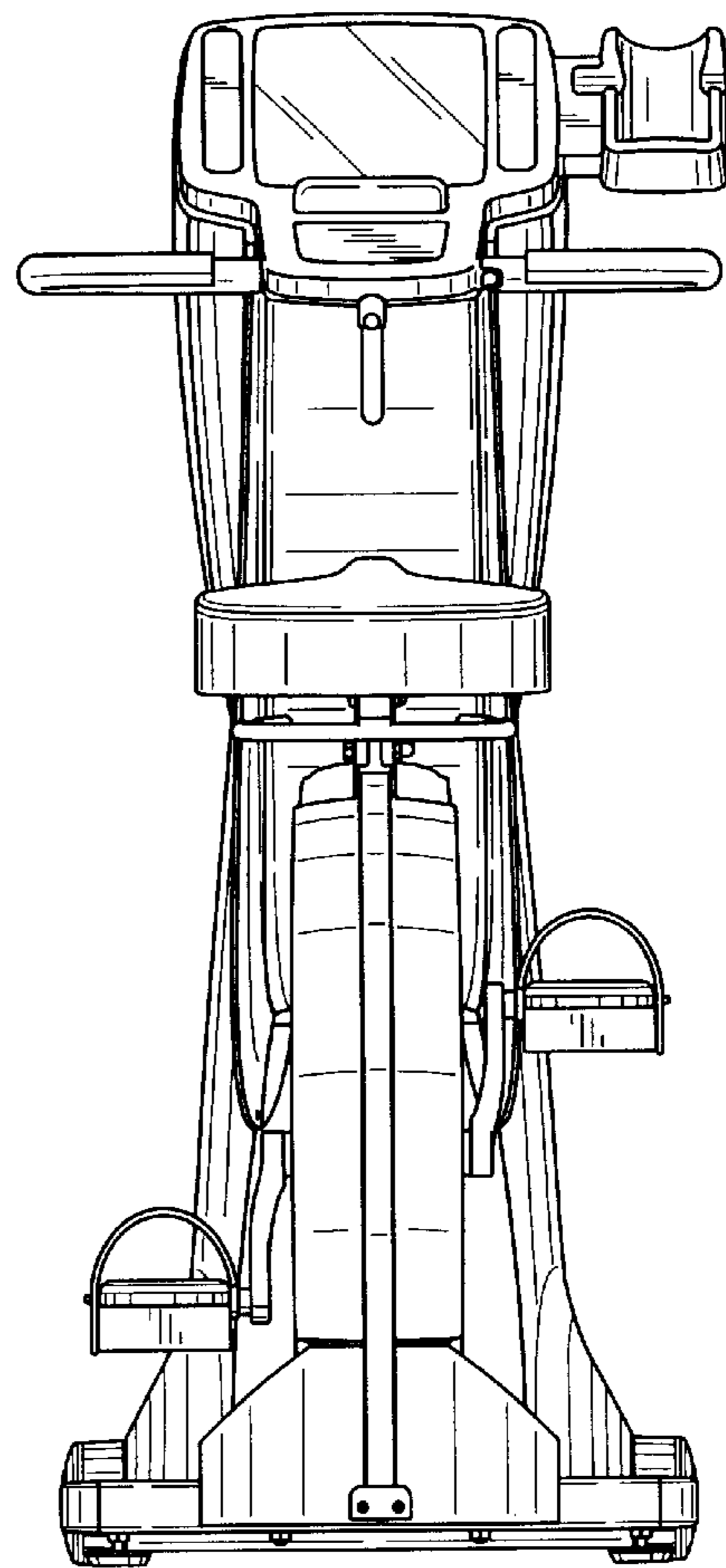


FIG. 5

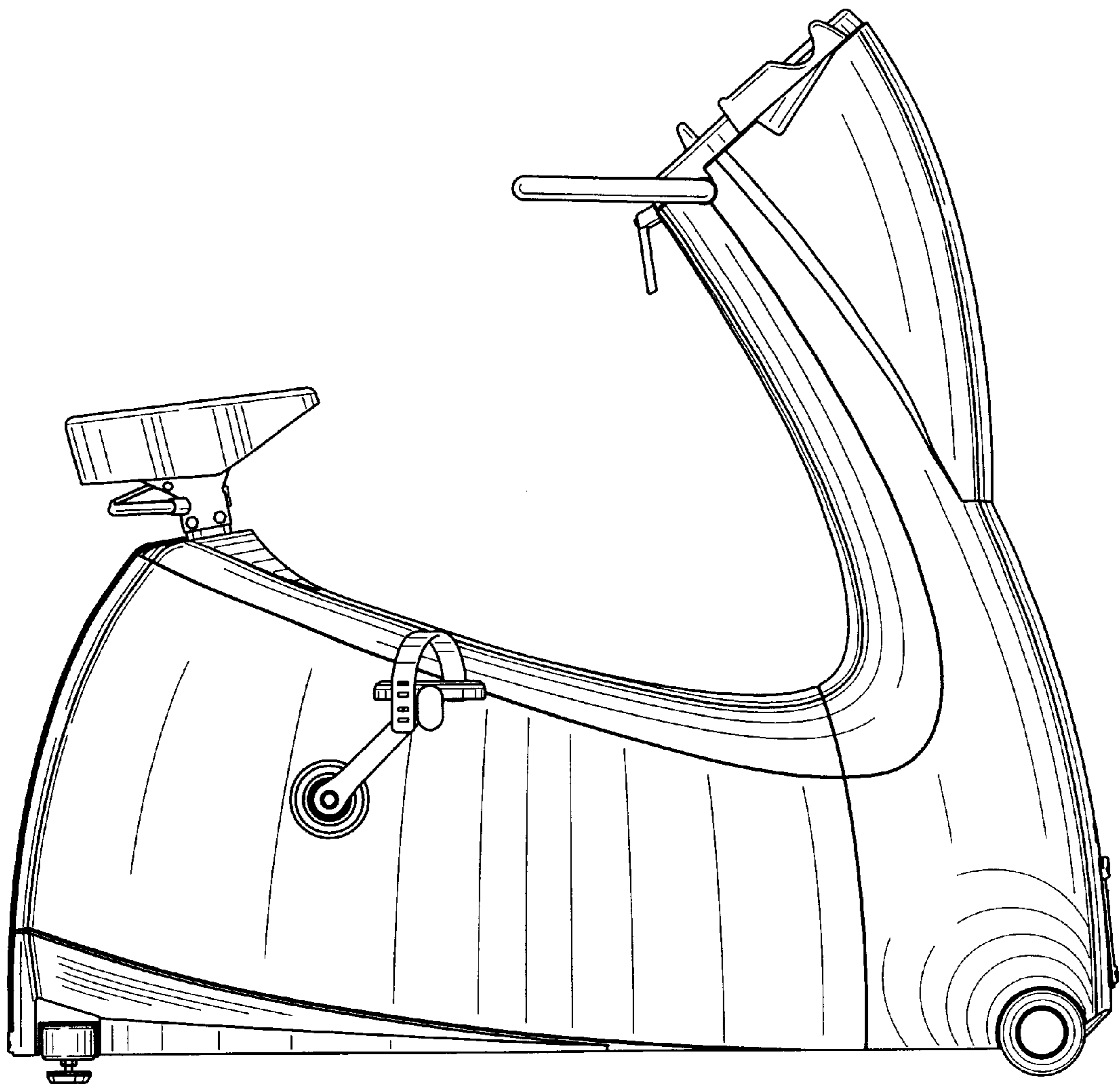


FIG. 6

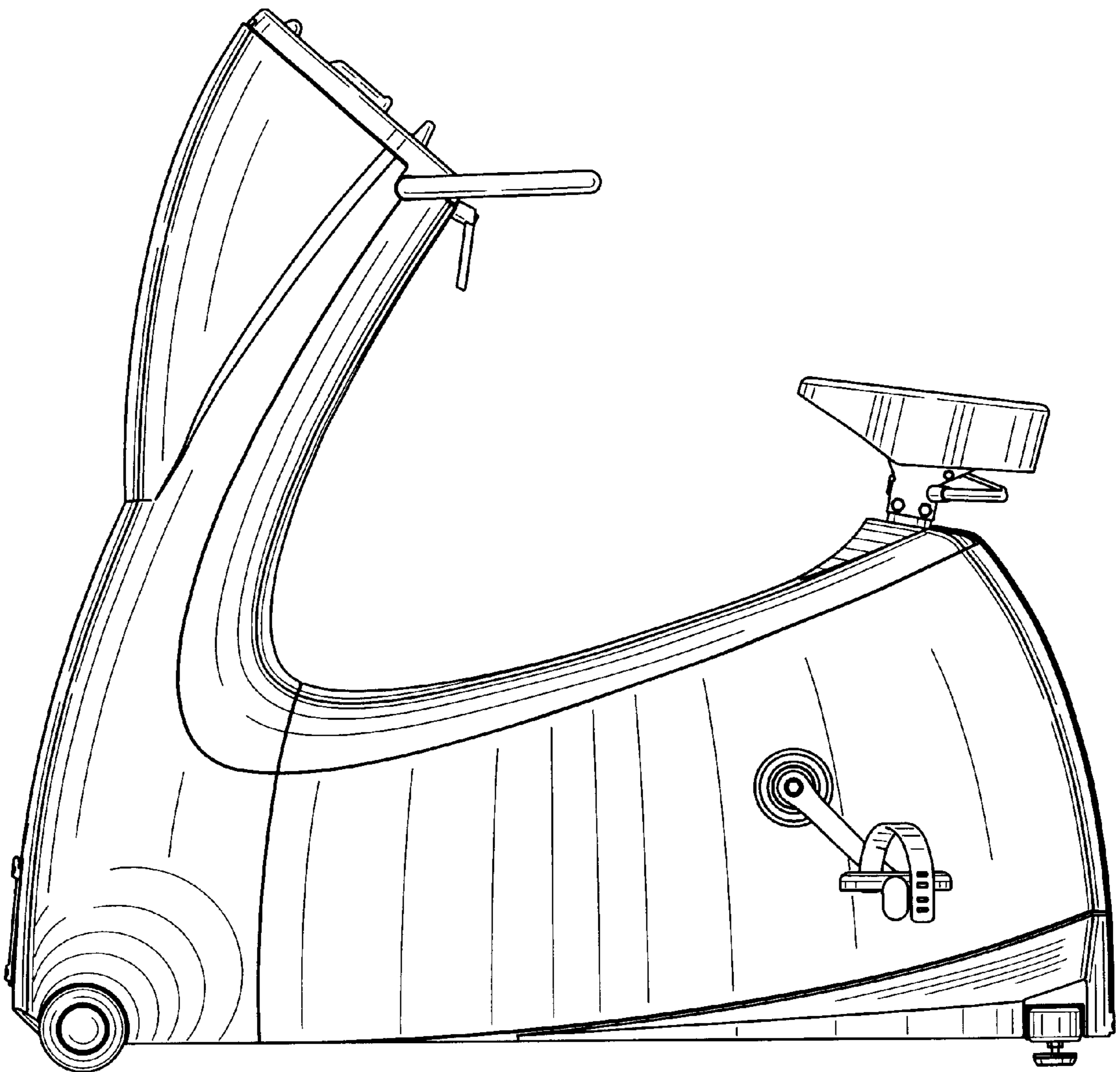


FIG. 7

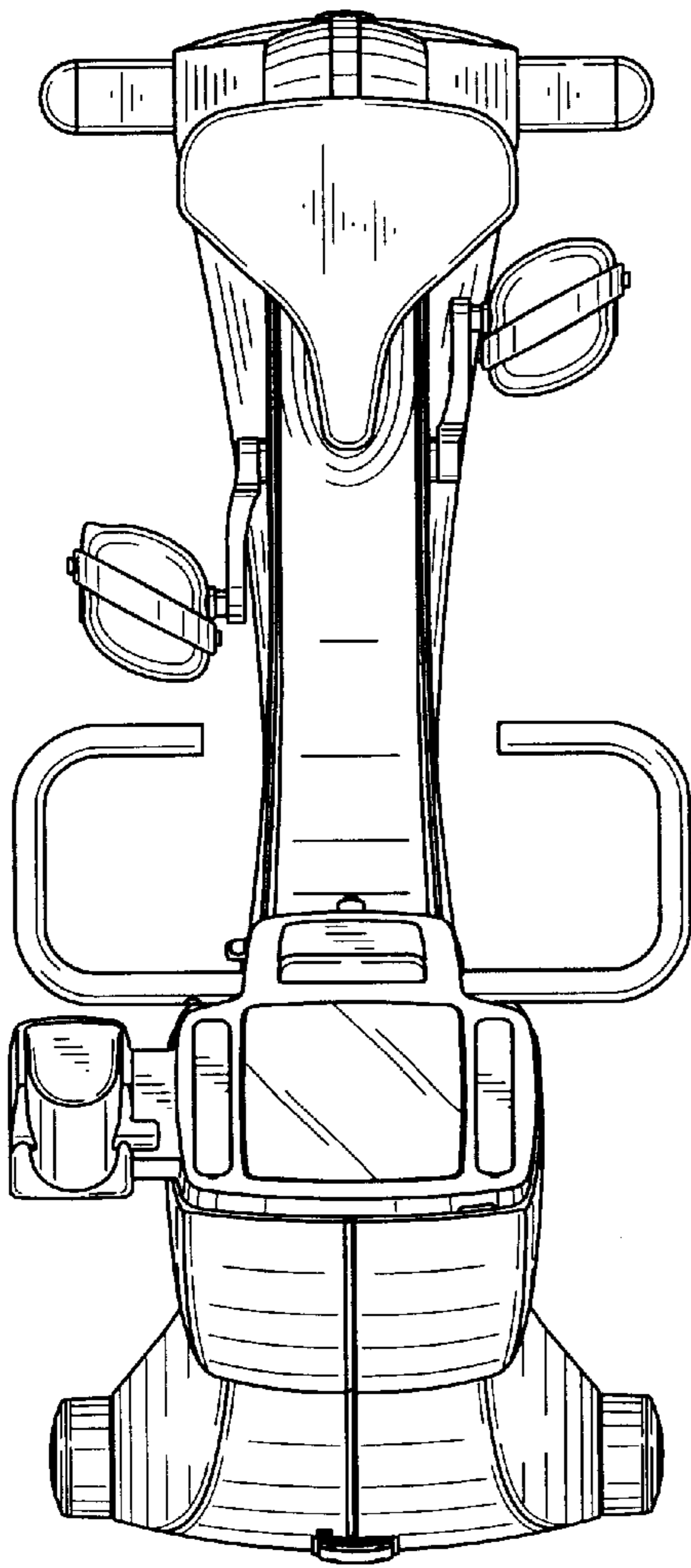


FIG. 8

