



US00D480119S

(12) **United States Design Patent**
Chen

(10) **Patent No.:** **US D480,119 S**

(45) **Date of Patent:** **** Sep. 30, 2003**

(54) **STATIONARY BICYCLE**

6,102,834 A * 8/2000 Chen 482/57
D444,515 S * 7/2001 Moran et al. D21/663

(76) Inventor: **Tsung-Yu Chen**, No. 23-4, Ting-Liao,
San-Ho Tsun, Shiu-Shang Hsiang,
Chiayi Hsien (TW)

* cited by examiner

(**) Term: **14 Years**

Primary Examiner—Philip S. Hyder
(74) *Attorney, Agent, or Firm*—Rosenberg, Klein & Lee

(21) Appl. No.: **29/171,007**

(22) Filed: **Nov. 15, 2002**

(57) **CLAIM**

(51) **LOC (7) Cl.** **21-02**

(52) **U.S. Cl.** **D21/663**

(58) **Field of Search** D21/662, 663,
D21/664, 665, 666, 667, 668, 669, 670,
694; 482/51, 52, 57, 53, 54, 58

The ornamental design for a stationary bicycle, as shown
and described.

DESCRIPTION

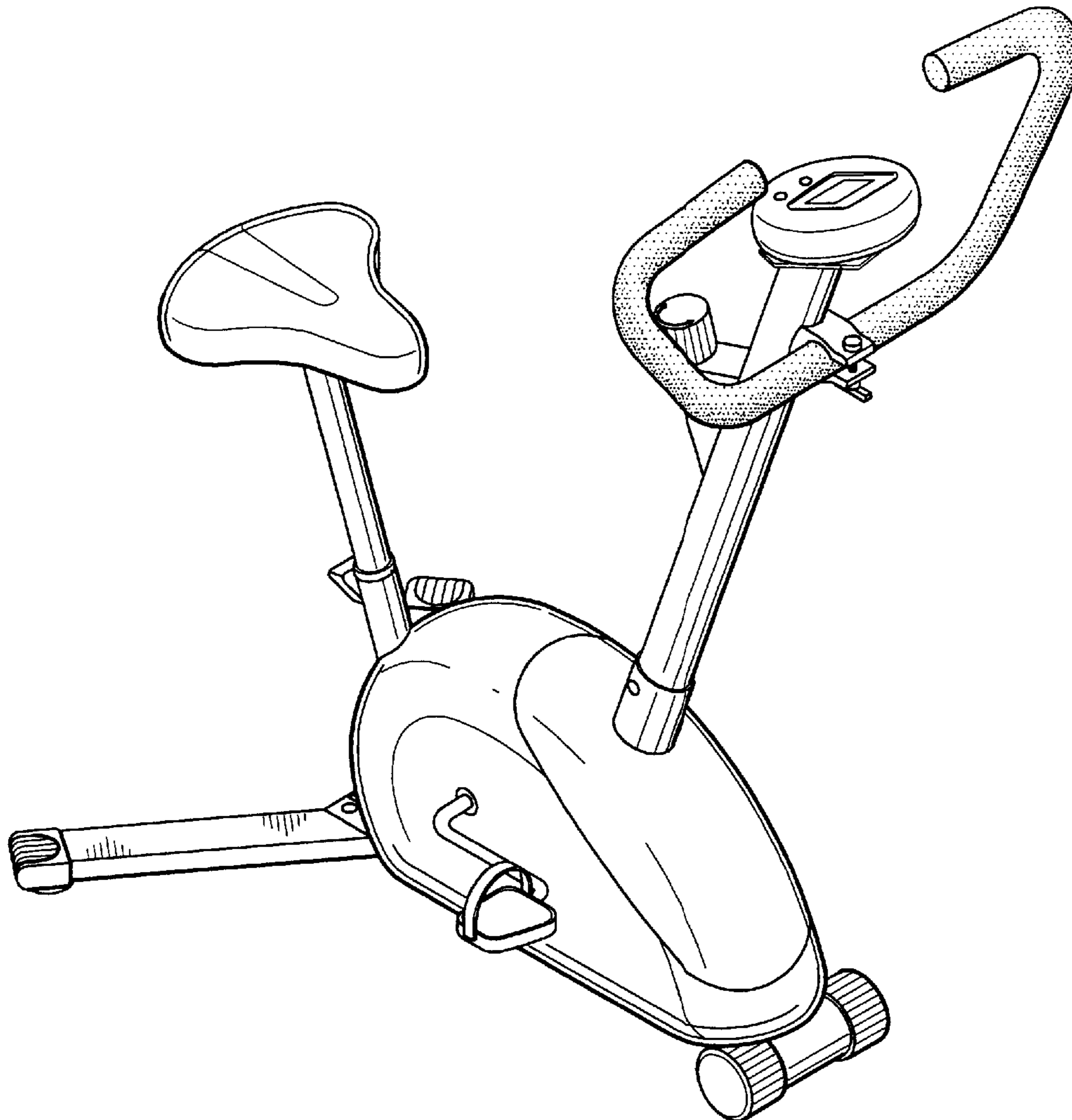
(56) **References Cited**

U.S. PATENT DOCUMENTS

D401,644 S * 11/1998 Chen D21/663
D406,288 S * 3/1999 Chen D21/663

FIG. 1 is a perspective view of a stationary bicycle showing
my new design;
FIG. 2 is a front elevational view thereof;
FIG. 3 is a rear elevational view thereof;
FIG. 4 is a left side elevational view thereof;
FIG. 5 is a right side elevational view thereof;
FIG. 6 is a top plan view thereof; and,
FIG. 7 is a bottom plan view thereof.

1 Claim, 7 Drawing Sheets



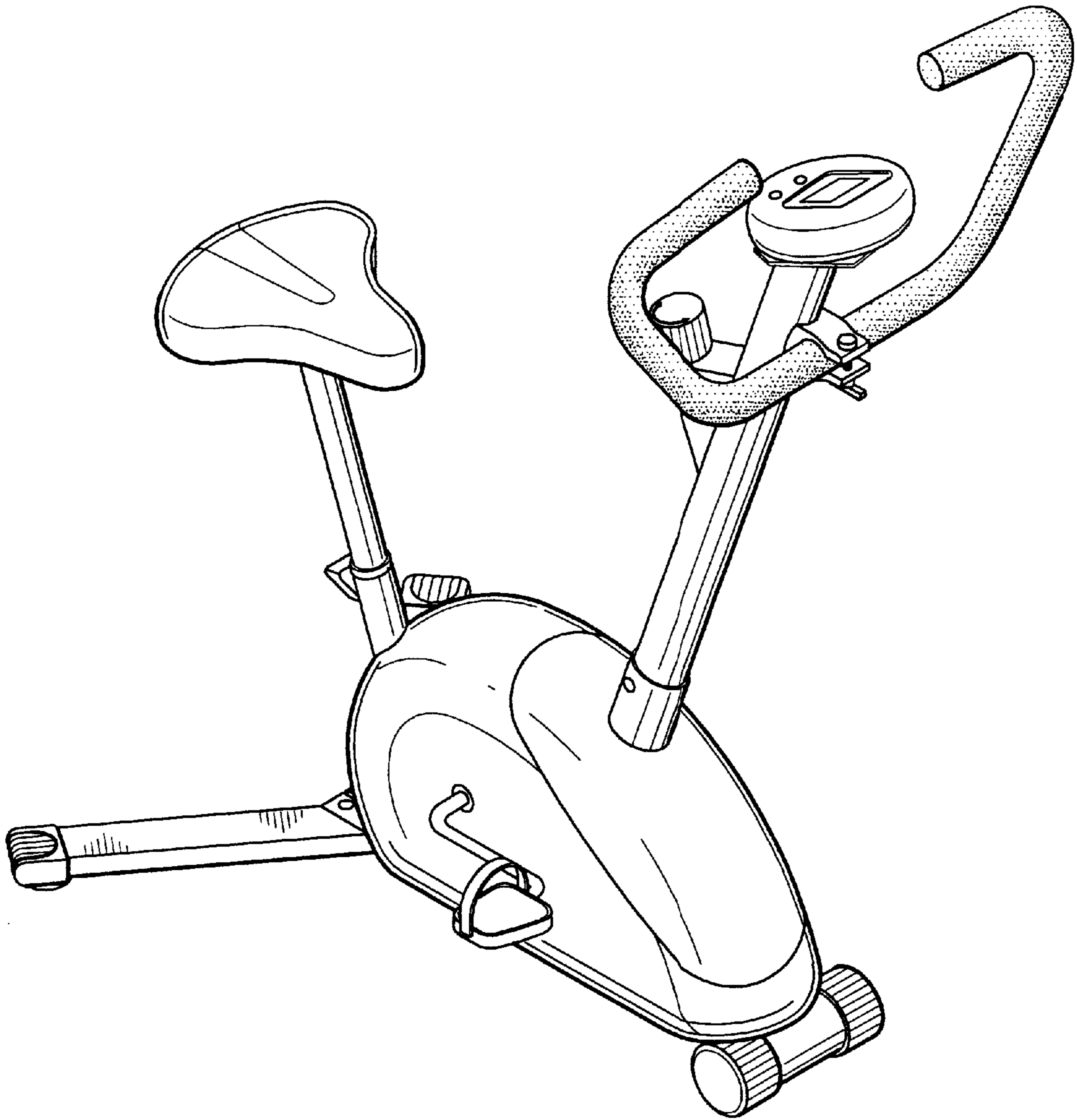


FIG. 1

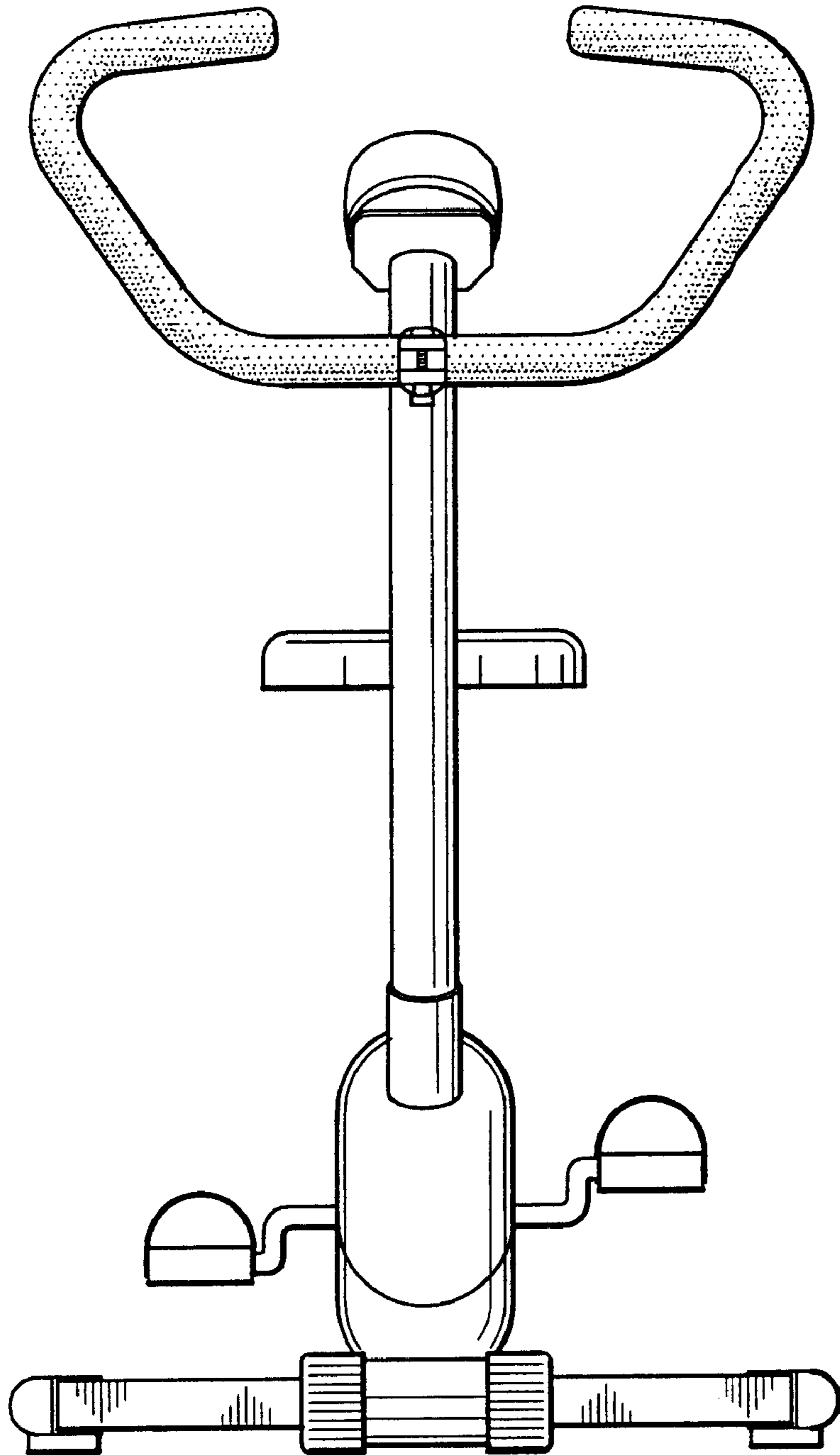


FIG. 2

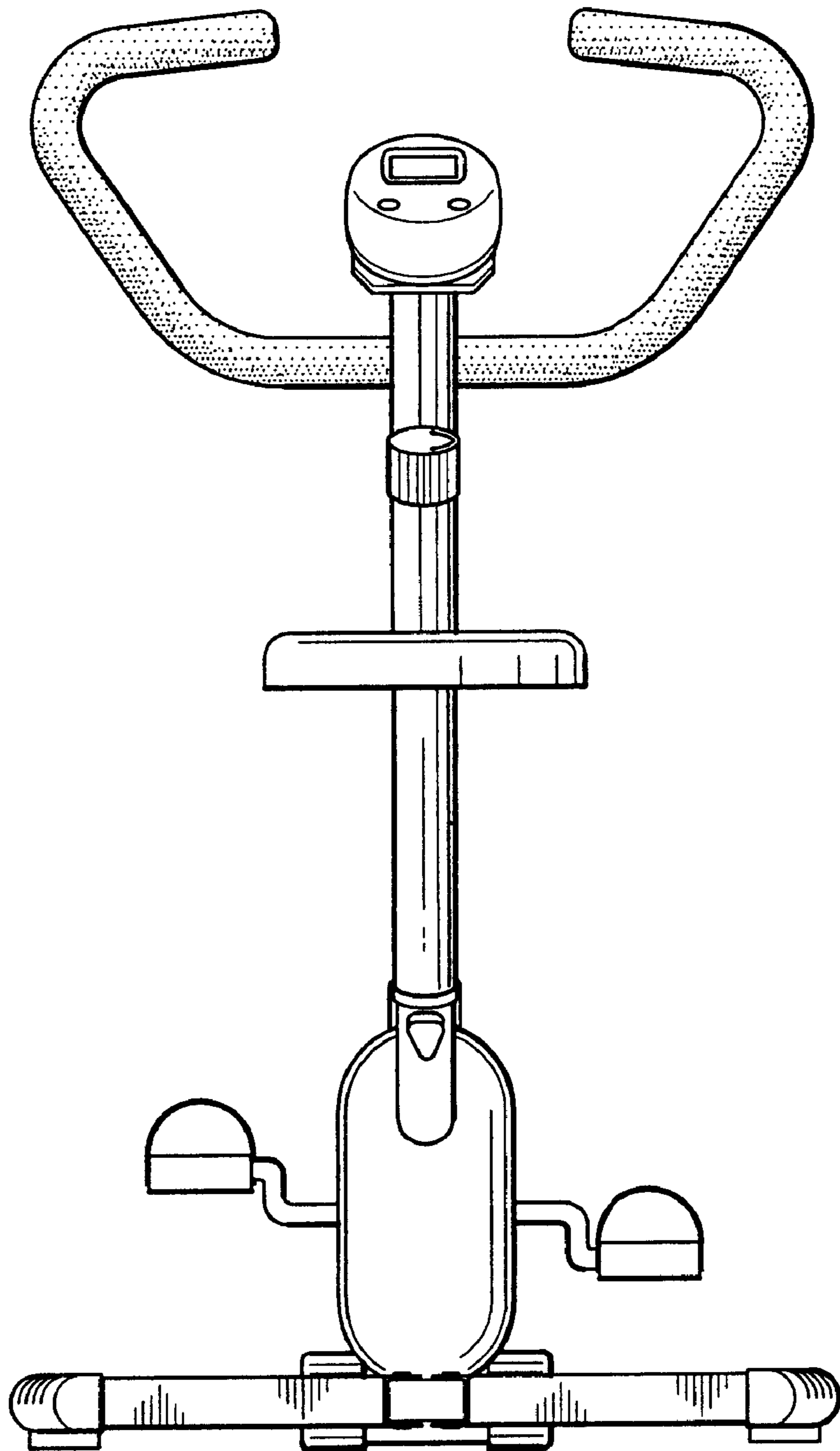


FIG. 3

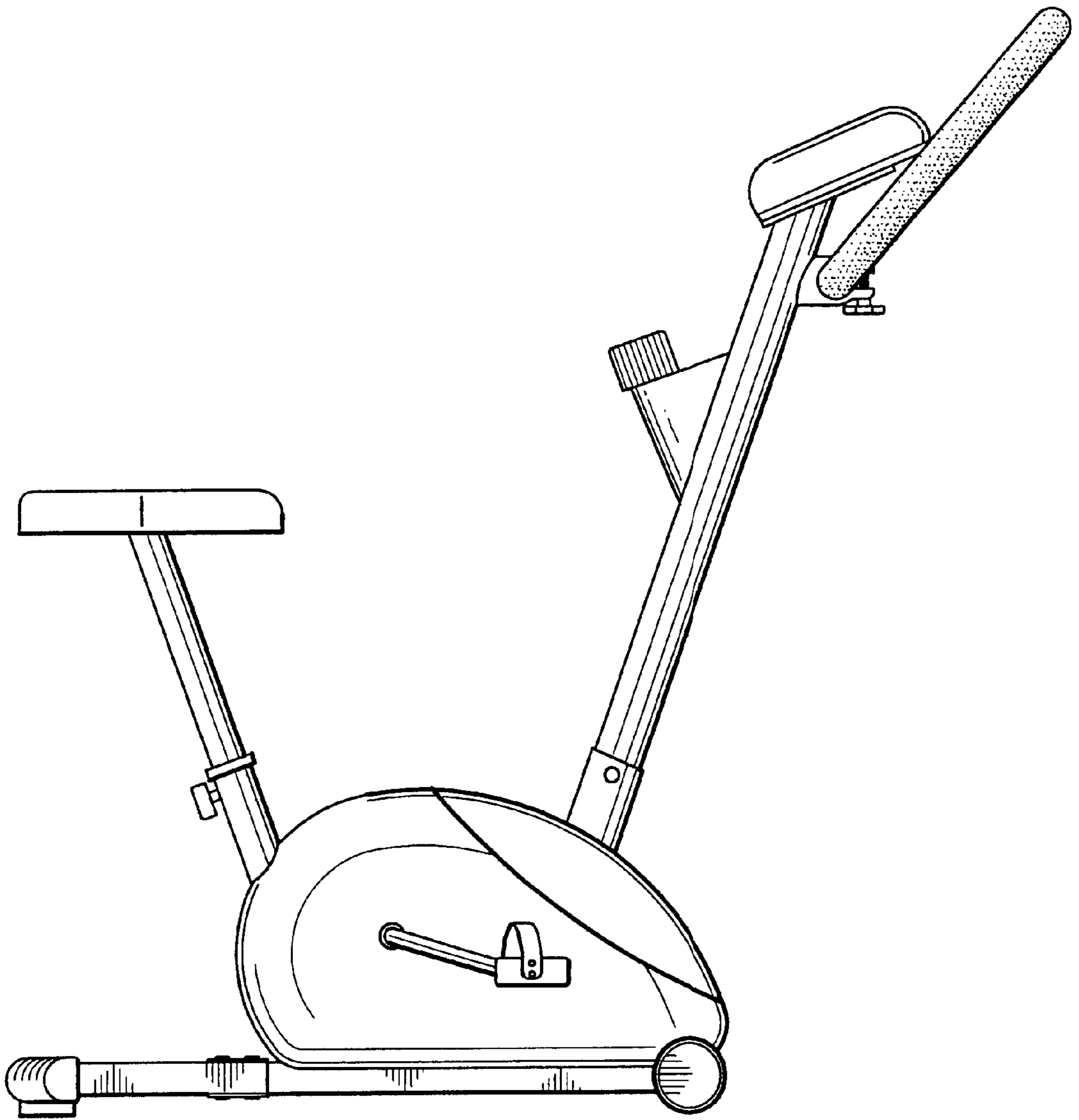


FIG. 4

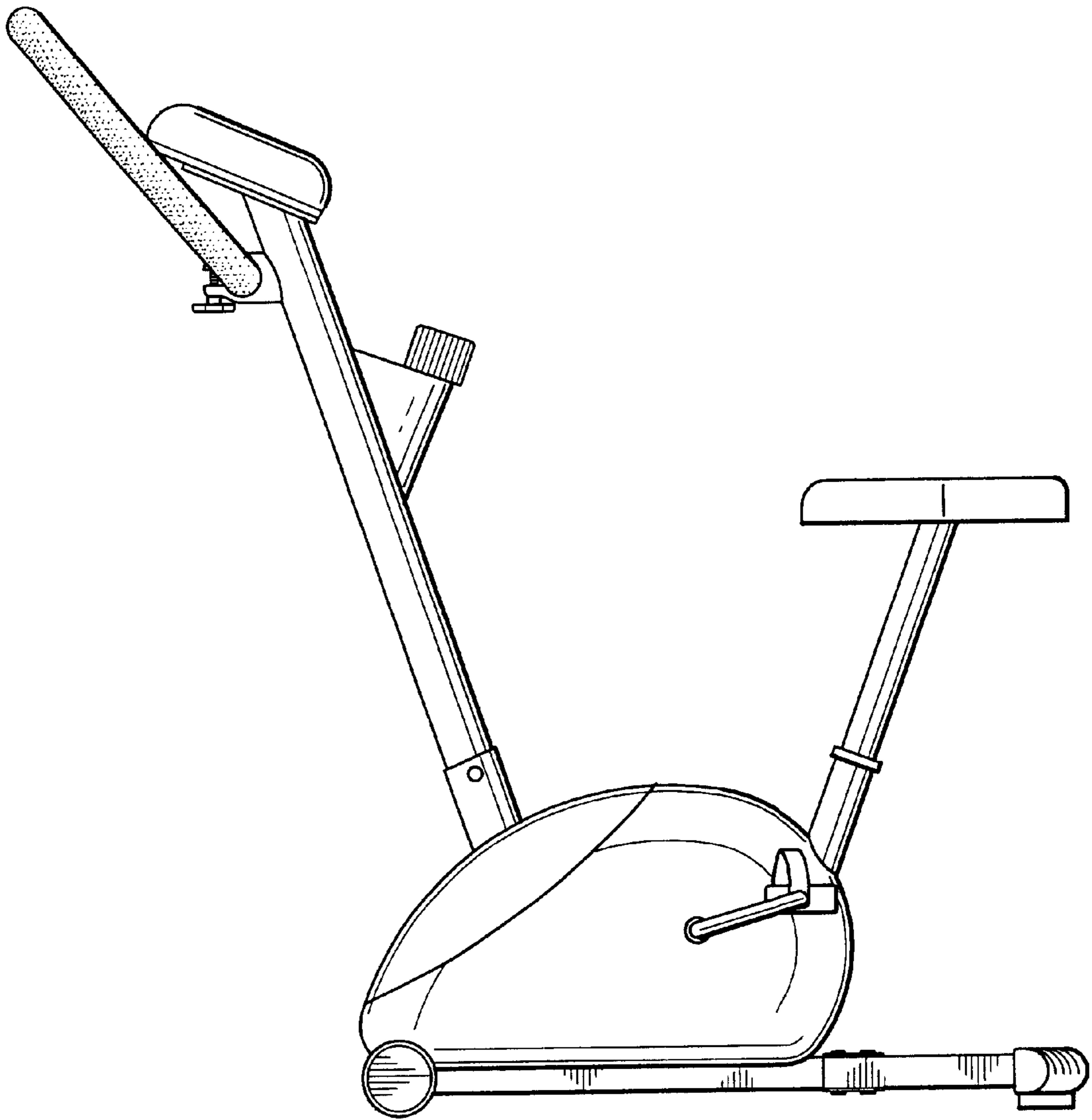


FIG. 5

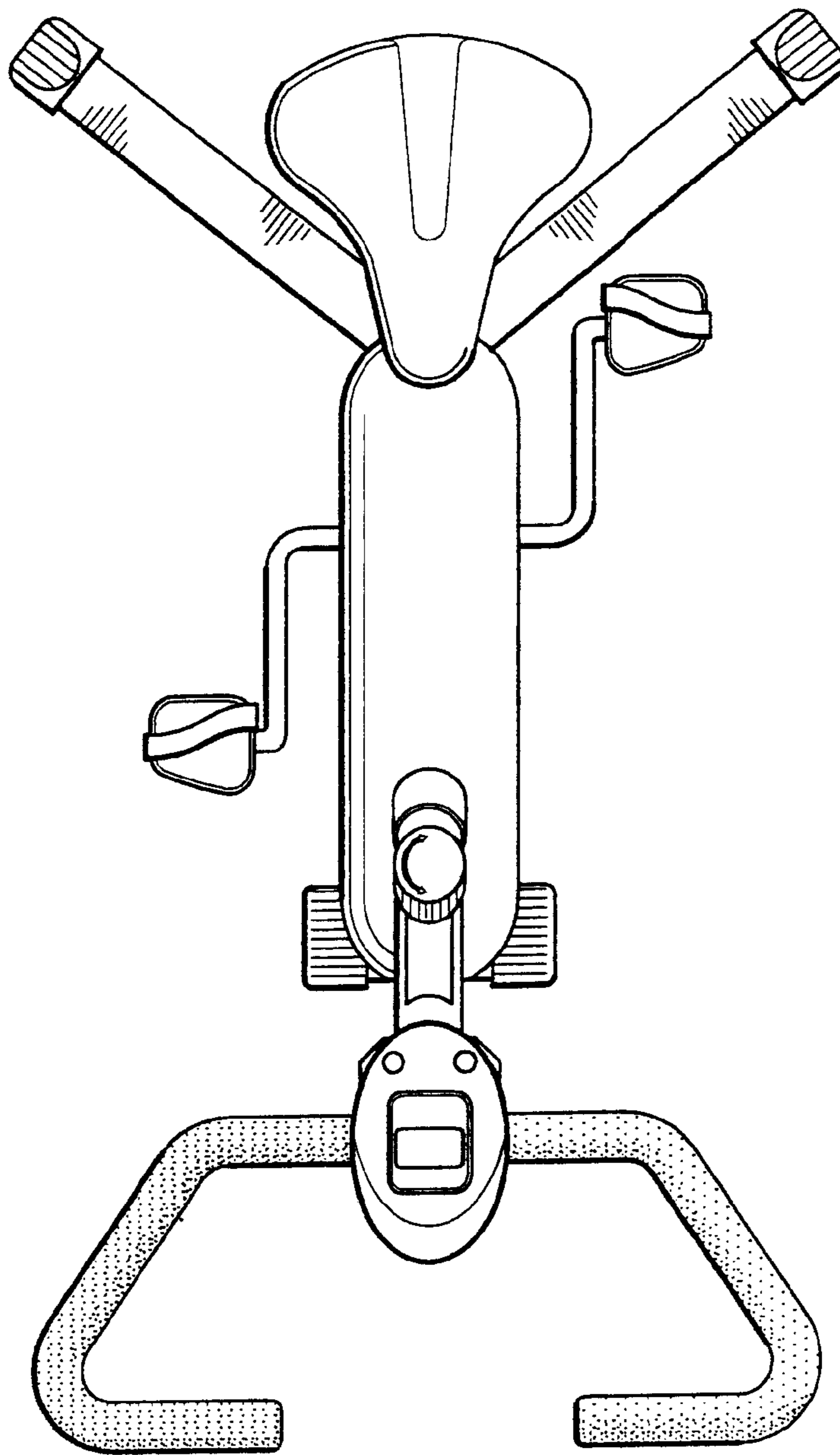


FIG. 6

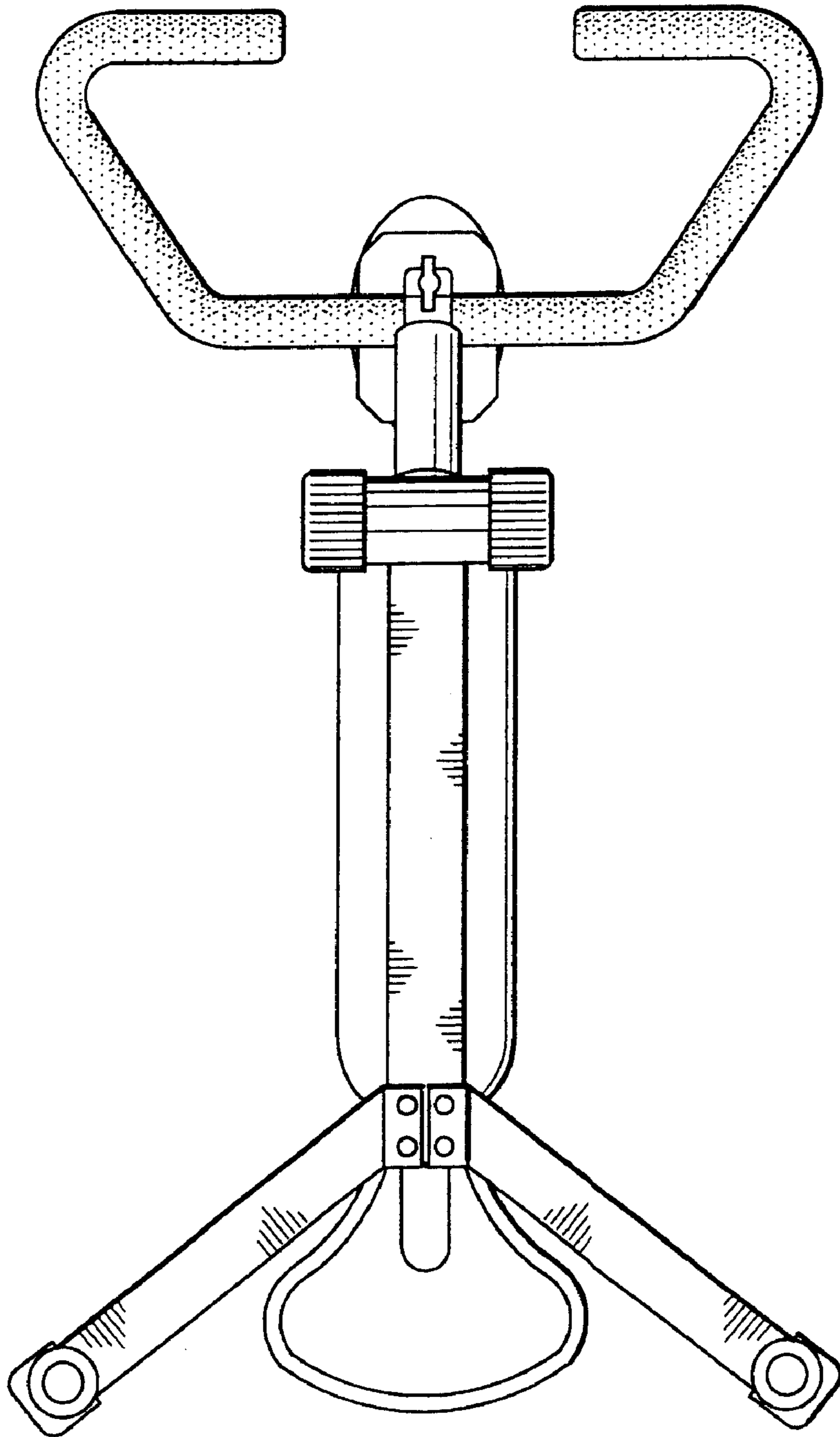


FIG. 7