



US00D480116S

(12) **United States Design Patent**
Collins

(10) Patent No.: **US D480,116 S**

(45) Date of Patent: **** Sep. 30, 2003**

(54) **THREE-DIMENSIONAL PUZZLE**

(76) Inventor: **John Collins**, 2 Greenfield Road,
Smethwick, Warley, West Midlands
(GB), B67 6SF

(**) Term: **14 Years**

(21) Appl. No.: **29/153,810**

(22) Filed: **Jan. 10, 2002**

(30) **Foreign Application Priority Data**

Jul. 11, 2001 (GB) 2 103 114

(51) LOC (7) Cl. **21-01**

(52) U.S. Cl. **D21/479**

(58) Field of Search D21/404, 398,
D21/468, 470, 471, 478-480, 490, 499,
493; 273/271, 276, 282.3, 290, 153 R,
156, 157 R, 160; 446/97, 101, 108, 111,
117, 122, 124, 139; 434/159, 171, 172,
200, 205, 333, 334, 343, 345

(56) **References Cited**

U.S. PATENT DOCUMENTS

D18,592 S * 9/1888 Volk D21/479
RE20,652 E * 2/1938 Hecht 446/101
D128,376 S * 7/1941 Herman D21/480
2,475,306 A * 7/1949 Beder 446/97
2,491,084 A * 12/1949 Bobo et al. 273/282.3
3,407,530 A * 10/1968 Grant et al. 446/92
3,995,862 A * 12/1976 Bertin 273/241
4,040,630 A * 8/1977 Brattain 273/157 R

4,154,444 A * 5/1979 Grenell 273/273
5,553,856 A * 9/1996 Barnard 273/156
5,700,177 A * 12/1997 Lemelson 446/117
5,810,357 A * 9/1998 Brink 273/157 R

OTHER PUBLICATIONS

BITS & PIECES The Great International Puzzle Collection,
p. 35: "Discon Fever" puzzle.*

* cited by examiner

Primary Examiner—Ted Shooman

Assistant Examiner—C Tuttle

(74) *Attorney, Agent, or Firm*—Foley & Lardner

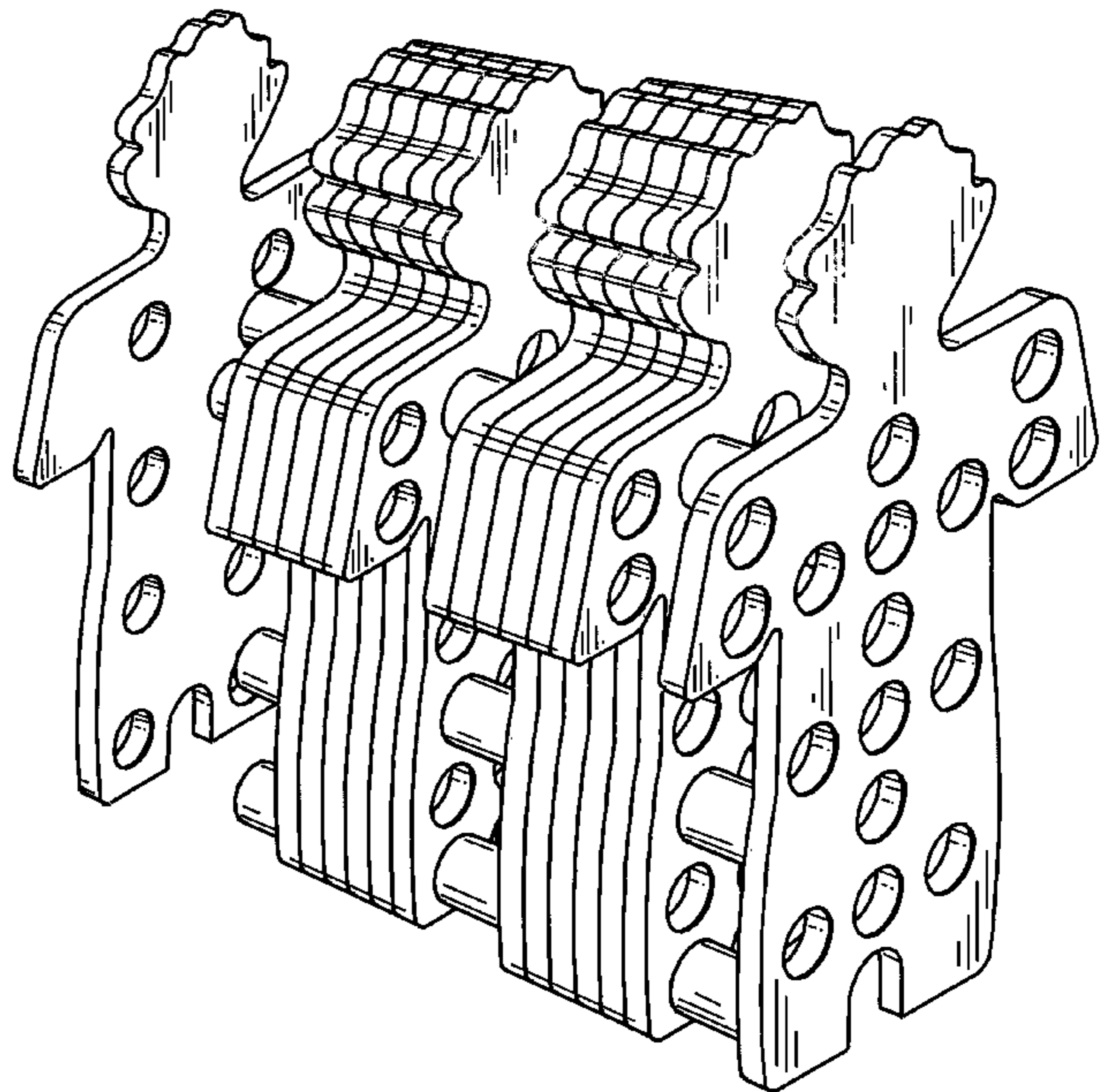
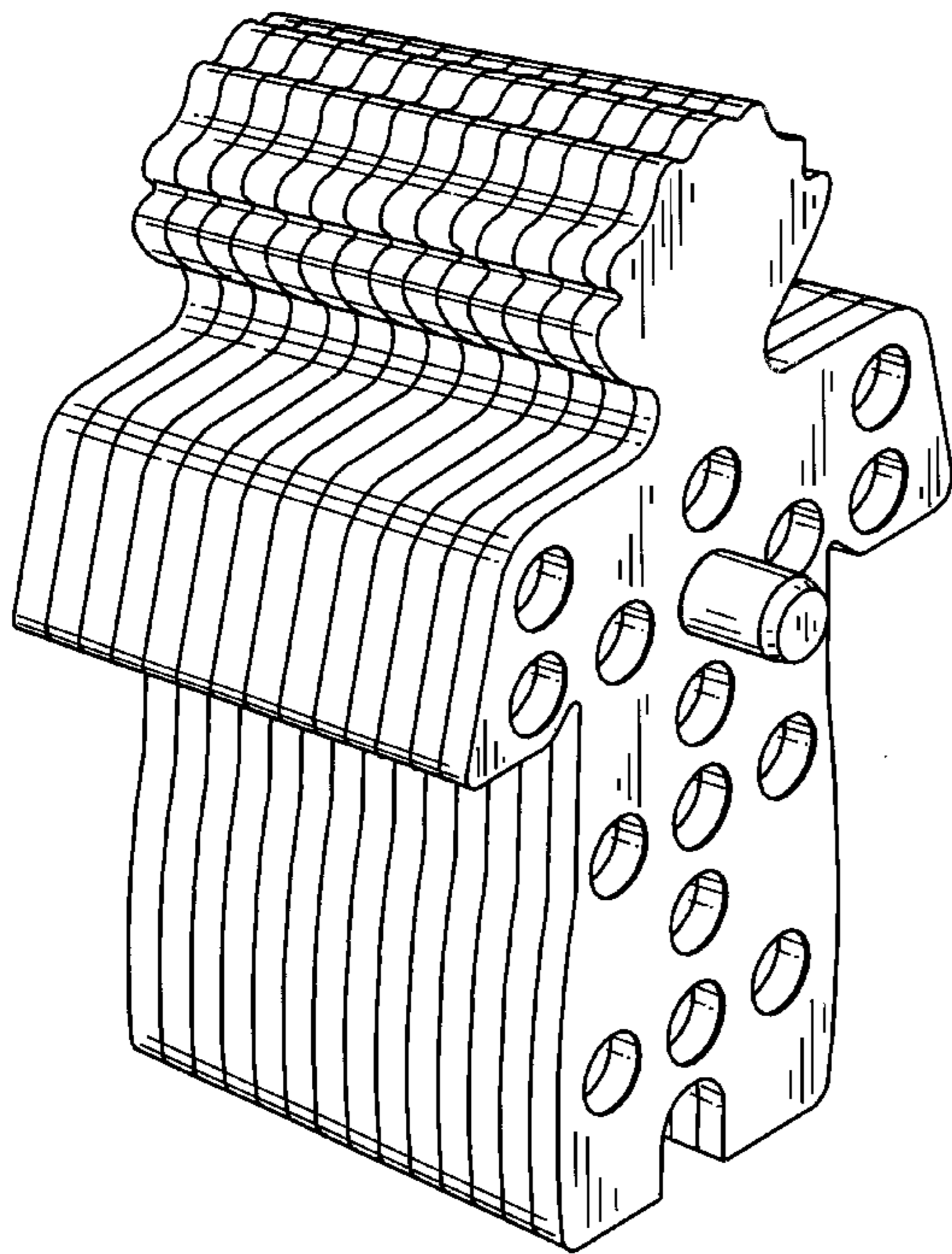
(57) **CLAIM**

The ornamental design for a three-dimensional puzzle, as
shown and described.

DESCRIPTION

FIG. 1 is a rear perspective view from one side of a
three-dimensional puzzle according to the invention;
FIG. 2 is a rear elevational view thereof;
FIG. 3 is a front elevational view thereof;
FIG. 4 is a right side elevational view thereof, the left side
being a mirror image thereof except for the exact curvature
shown by the left profile of FIGS. 2 and 3.
FIG. 5 is a top plan view thereof;
FIG. 6 is an underneath plan view thereof; and,
FIG. 7 is a rear perspective view from the one side of the
three-dimensional puzzle shown in another position.

1 Claim, 6 Drawing Sheets



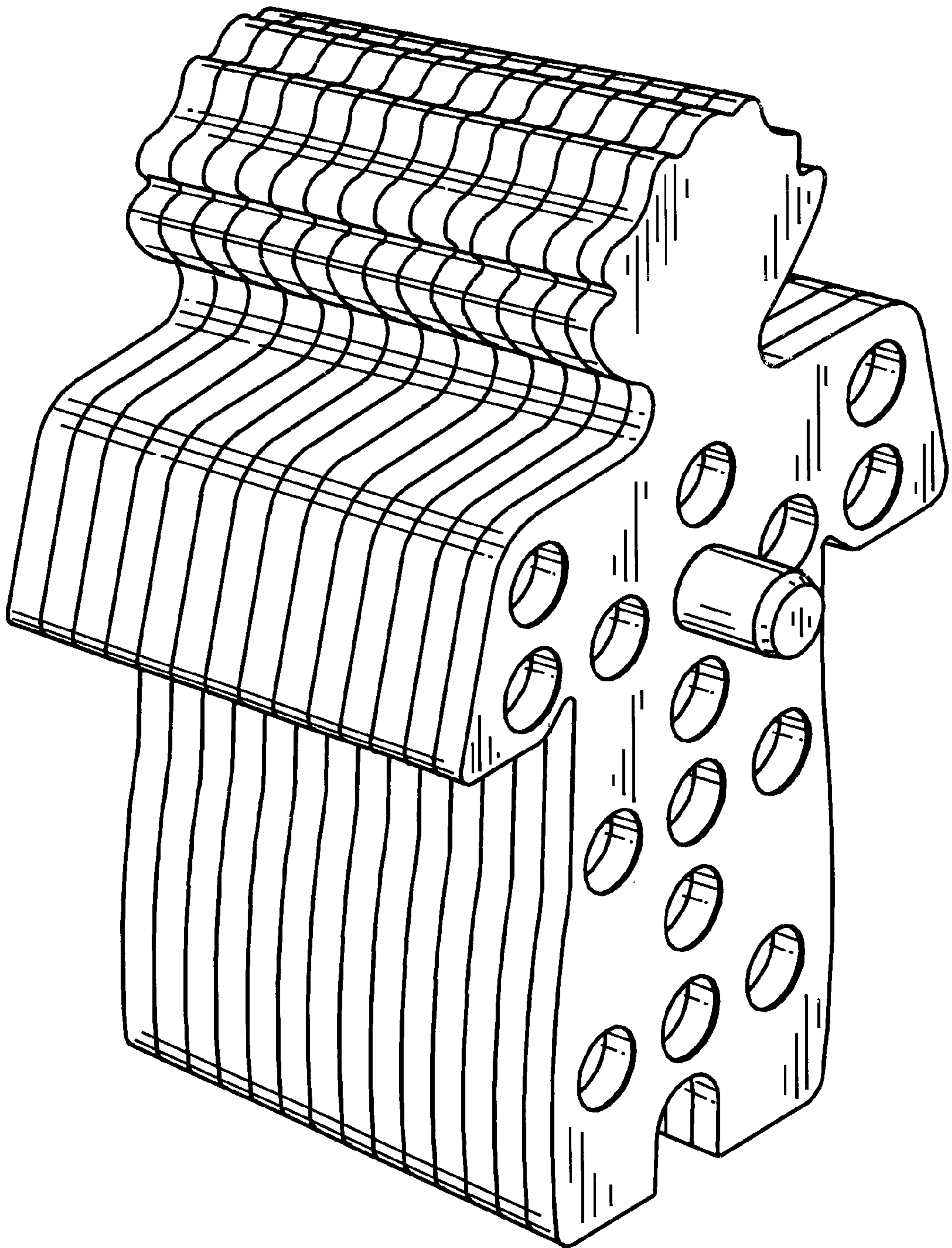


FIG. 1

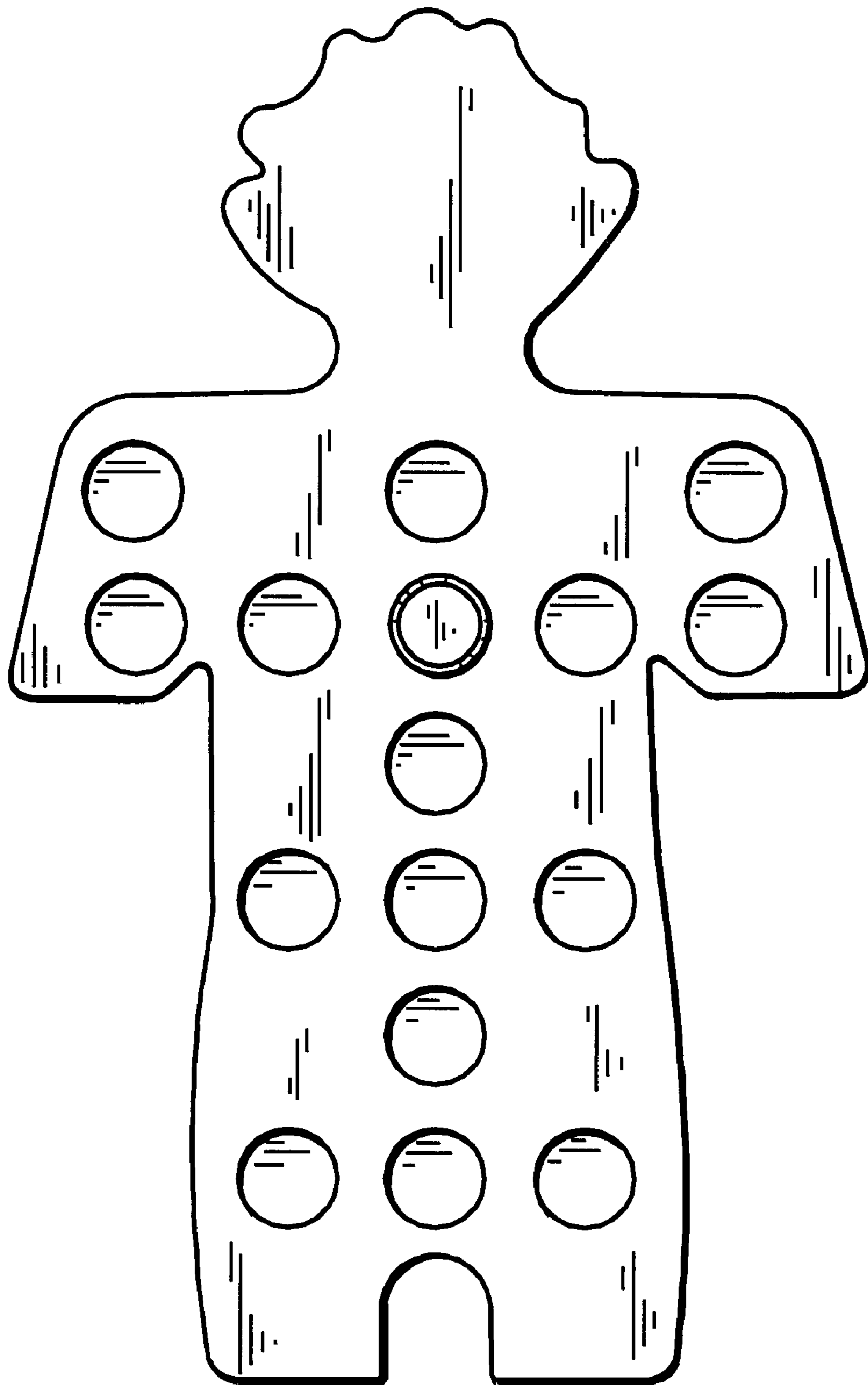


FIG. 2

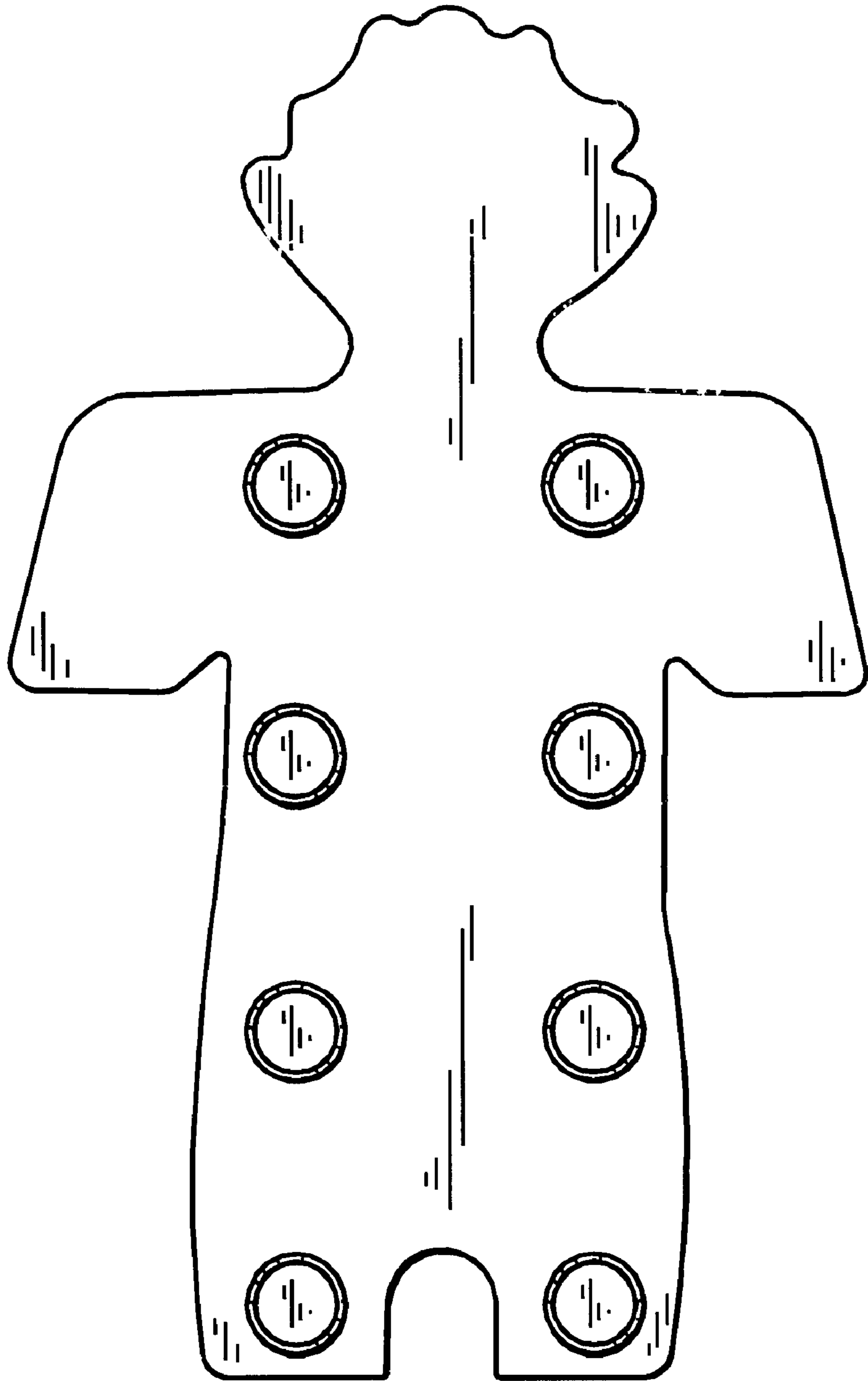


FIG. 3

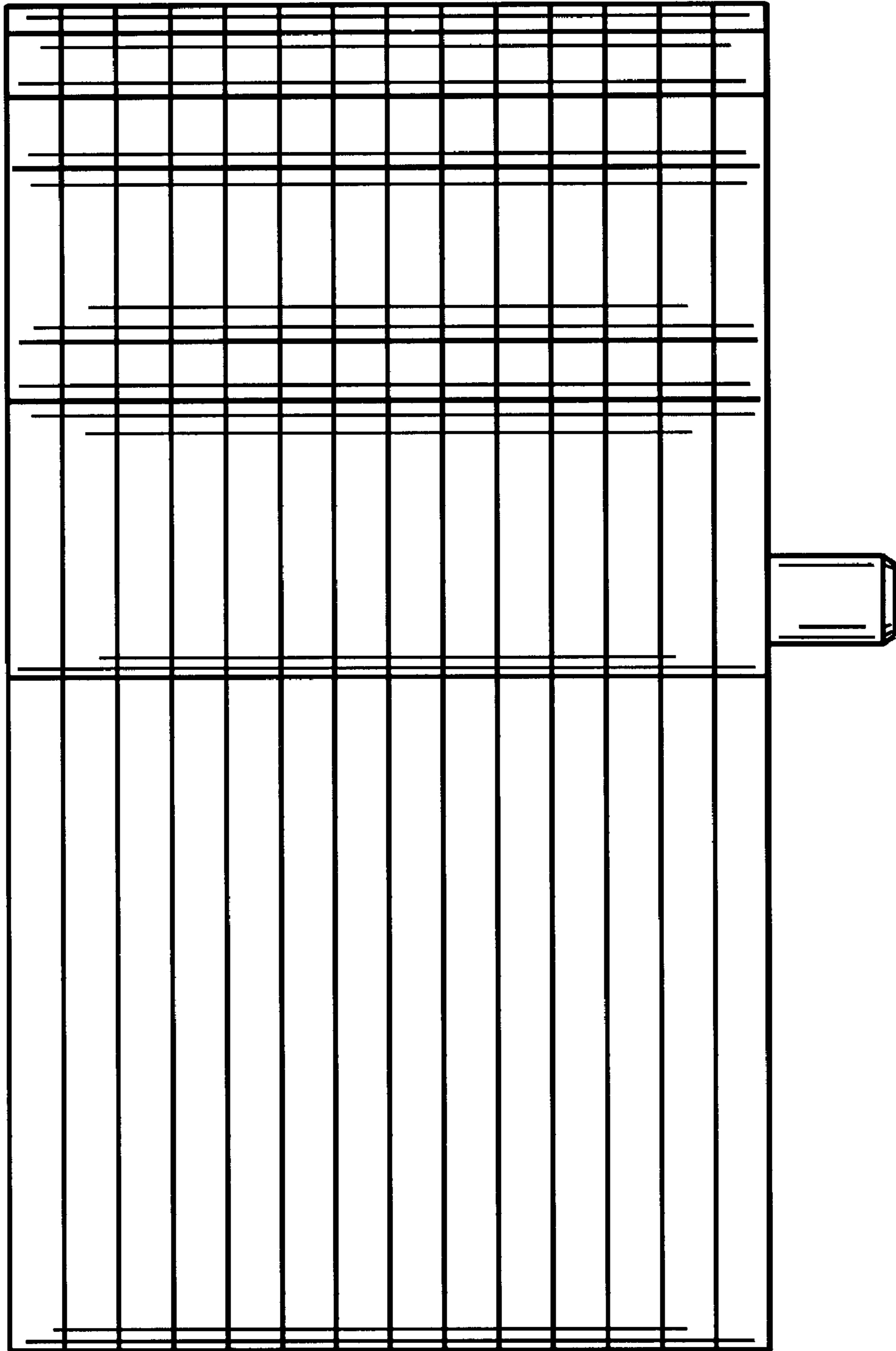


FIG. 4

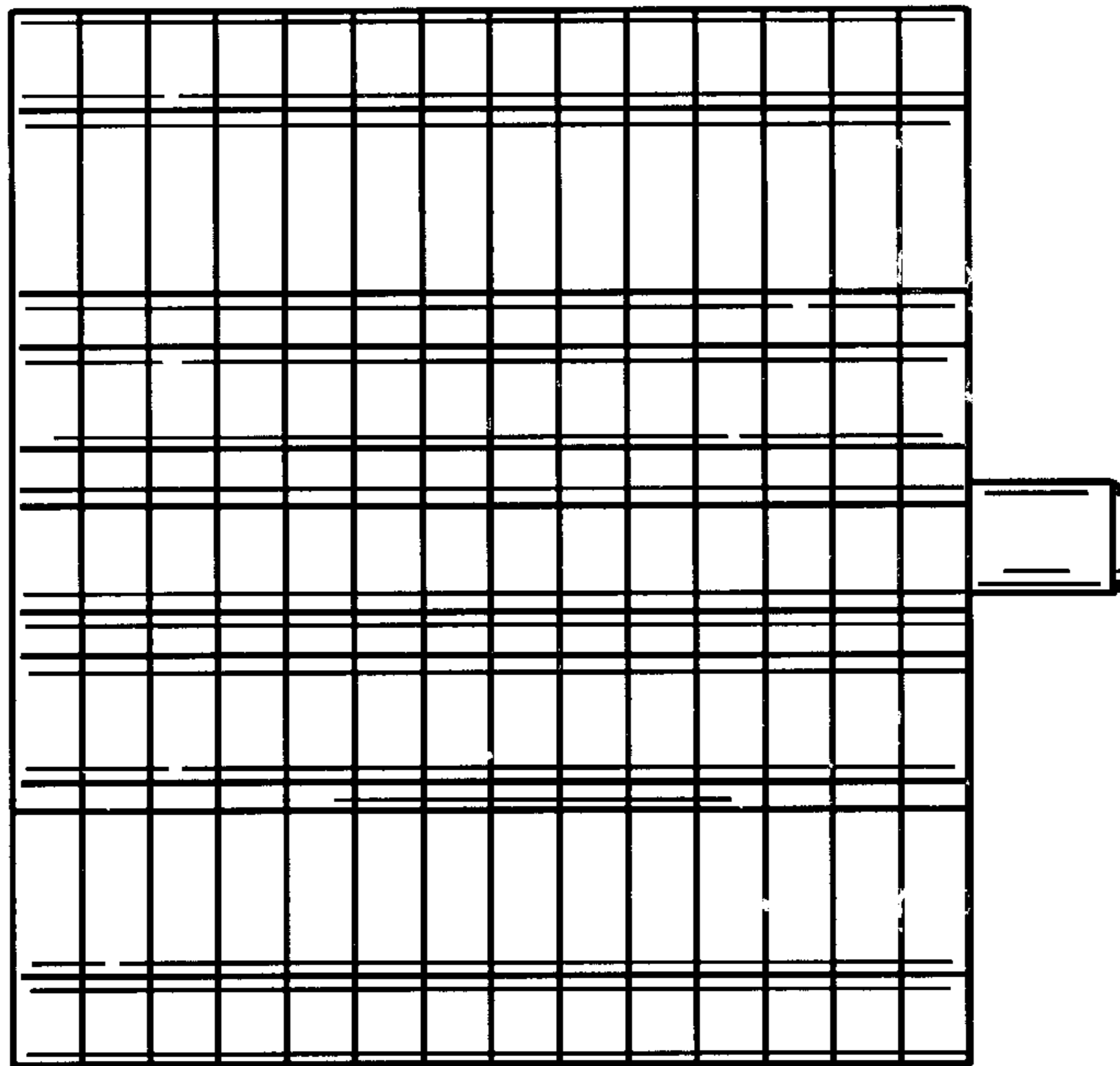


FIG. 5

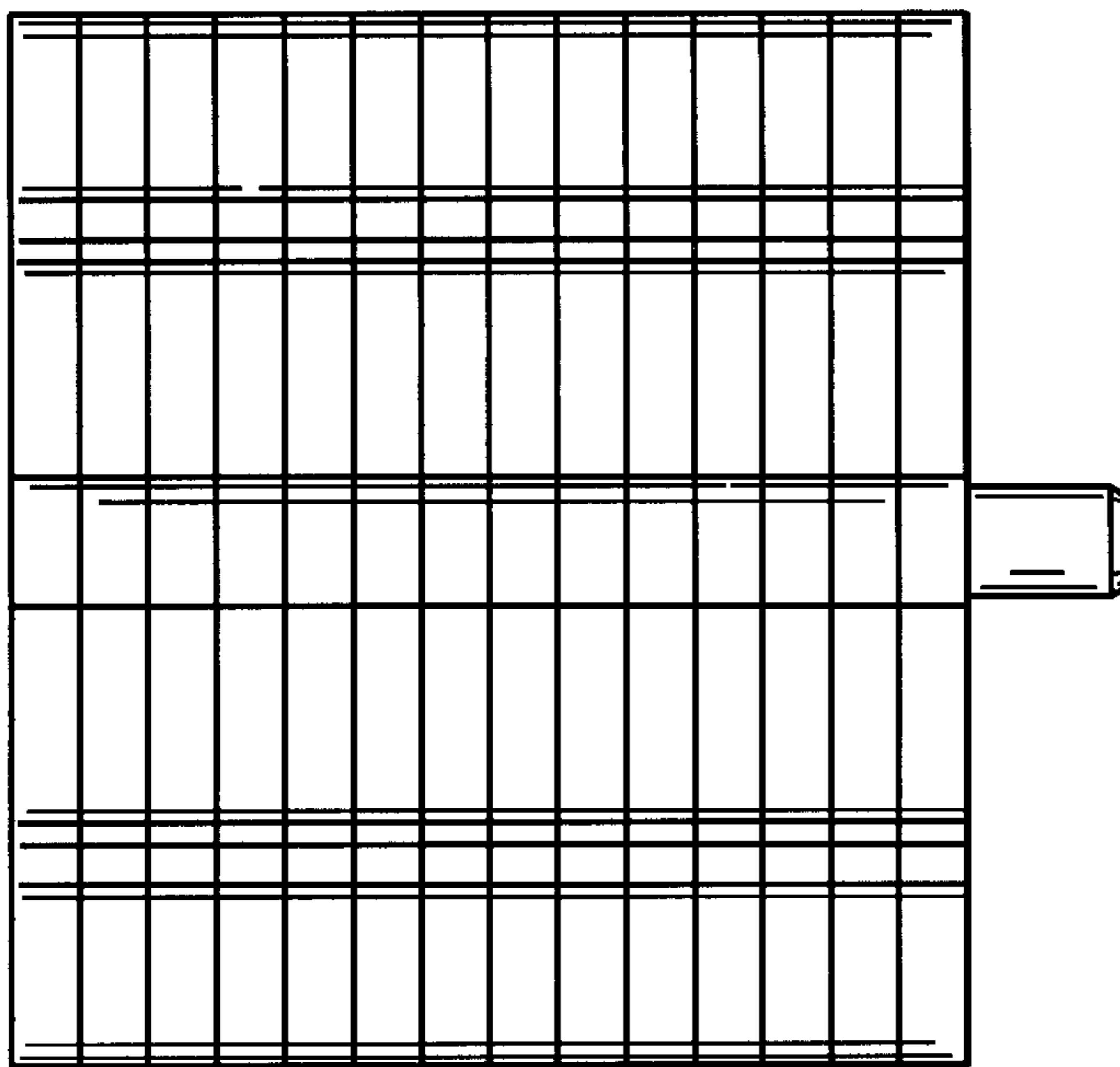


FIG. 6

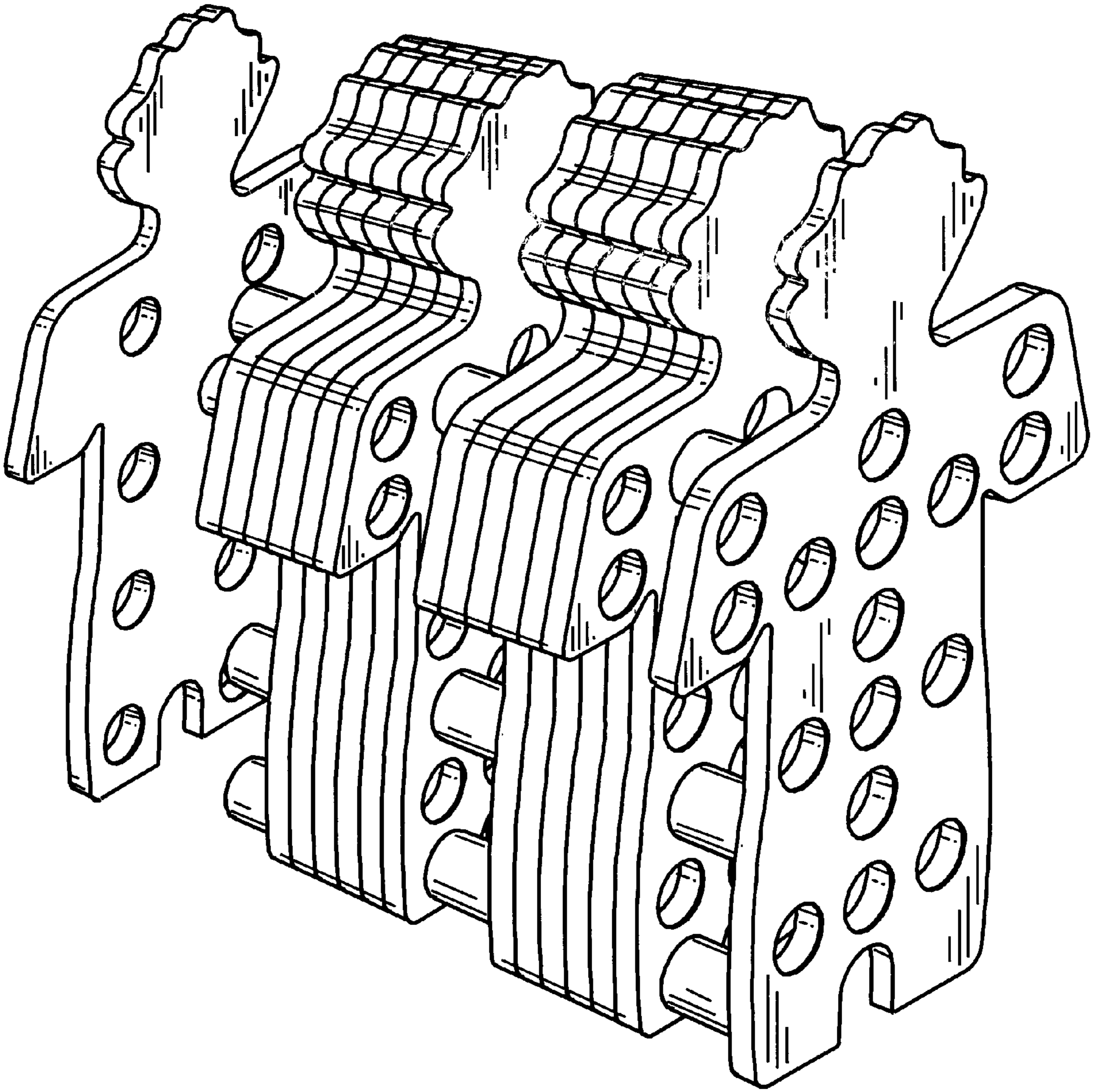


FIG. 7