



US00D480112S

(12) **United States Design Patent**  
**Santolaya**

(10) **Patent No.:** **US D480,112 S**

(45) **Date of Patent:** **\*\* Sep. 30, 2003**

(54) **FRAMEWORK FOR ILLUMINATED SIGN**

(76) **Inventor:** **Juan Antonio Lozano Santolaya**,  
Polígono Casa Blanca, Pabellón 48,  
Carretera de Laguardia, 01300  
Laguardia Alava (ES)

(\*\*) **Term:** **14 Years**

(21) **Appl. No.:** **29/158,787**

(22) **Filed:** **Apr. 10, 2002**

(51) **LOC (7) Cl.** ..... **20-99**

(52) **U.S. Cl.** ..... **D20/10; D20/43**

(58) **Field of Search** ..... **D8/349, 354; D20/8,**  
**D20/10, 39, 99; 40/541, 584, 729; 72/31.13;**  
**264/176.1**

(56) **References Cited**

**U.S. PATENT DOCUMENTS**

D365,746 S	*	1/1996	Chudoba et al.	.....	D25/124
D418,394 S	*	1/2000	King	.....	D25/124
D455,634 S	*	1/2000	Hummel et al.	.....	D25/124

\* cited by examiner

*Primary Examiner*—Robert M. Spear  
(74) *Attorney, Agent, or Firm*—Brinks Hofer Gilson & Lione

(57) **CLAIM**

The ornamental design for a framework for illuminated sign, as shown and described.

**DESCRIPTION**

FIG. 1 is a perspective view showing my new design.

FIG. 2 is a front view thereof.

FIG. 3 is a partial side view thereof

FIG. 4 is a partial top view thereof.

FIG. 5 is a partial side view thereof.

FIG. 6 is a partial bottom view thereof; and,

FIG. 7 is a back view thereof.

The irregular rear edge in FIG. 1 and the double broken lines in FIGS. 3–6 form no part of the claimed design and indicate that the claimed design has indeterminate length.

**1 Claim, 7 Drawing Sheets**

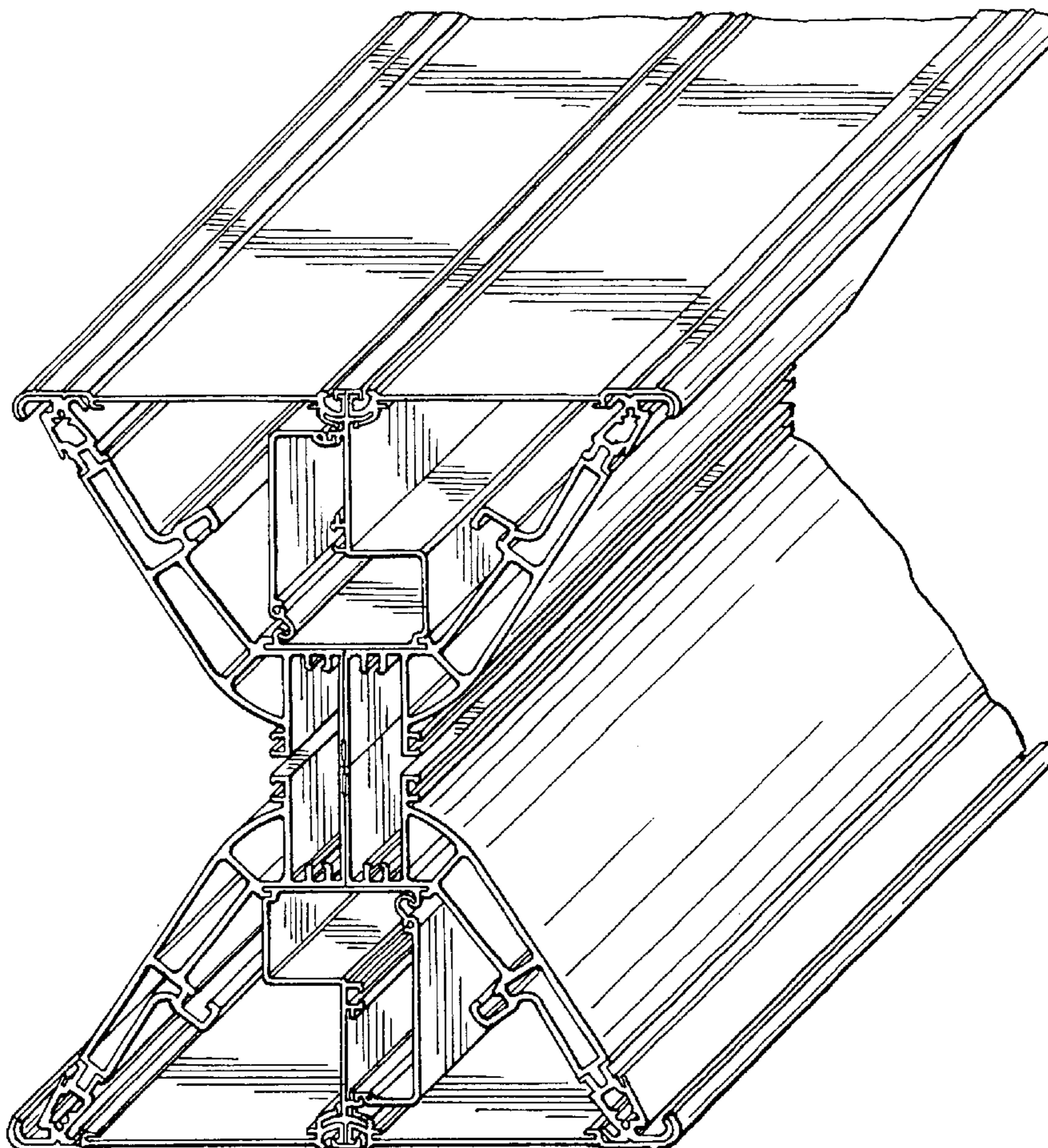


FIG. 1

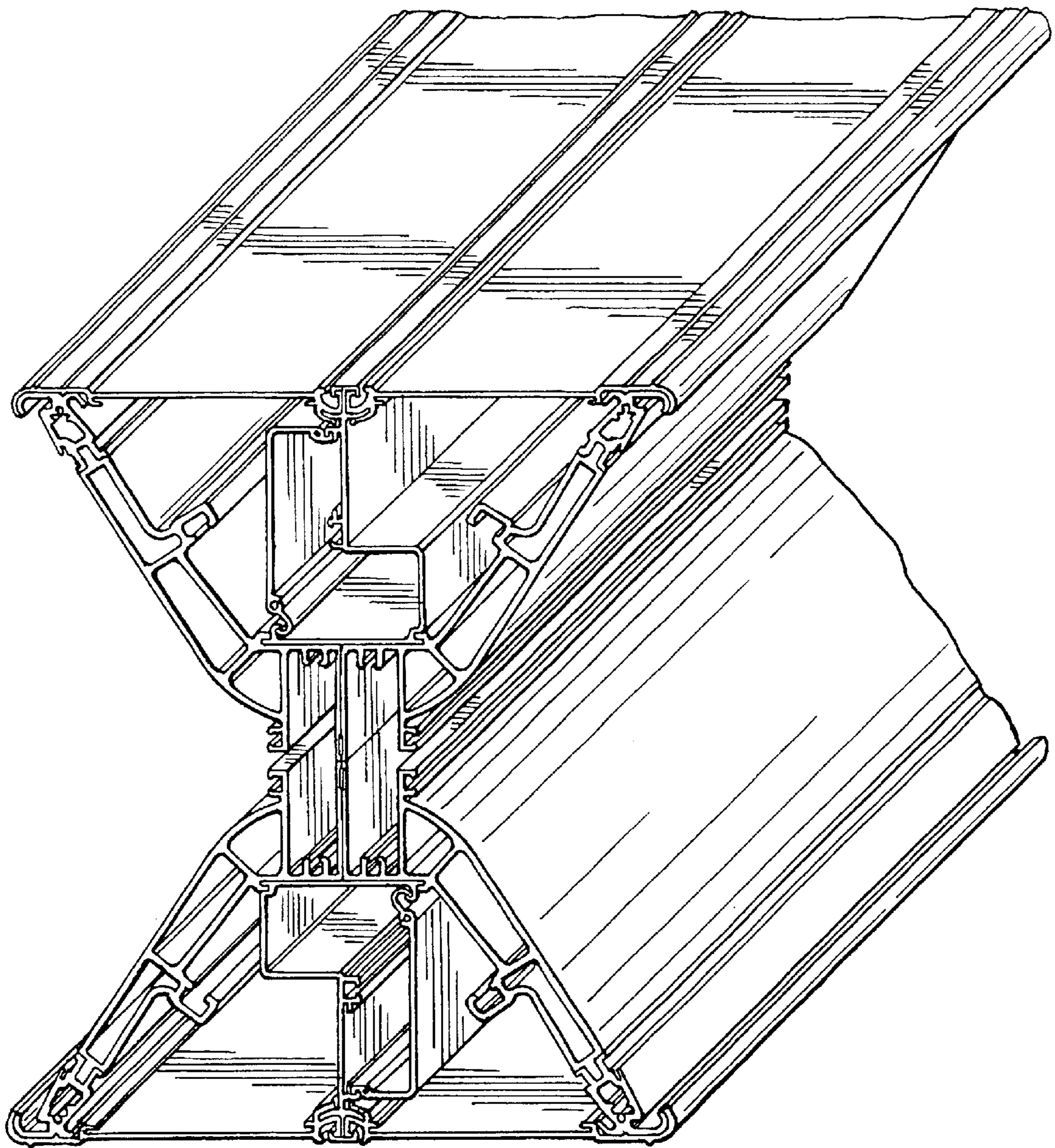


FIG. 2

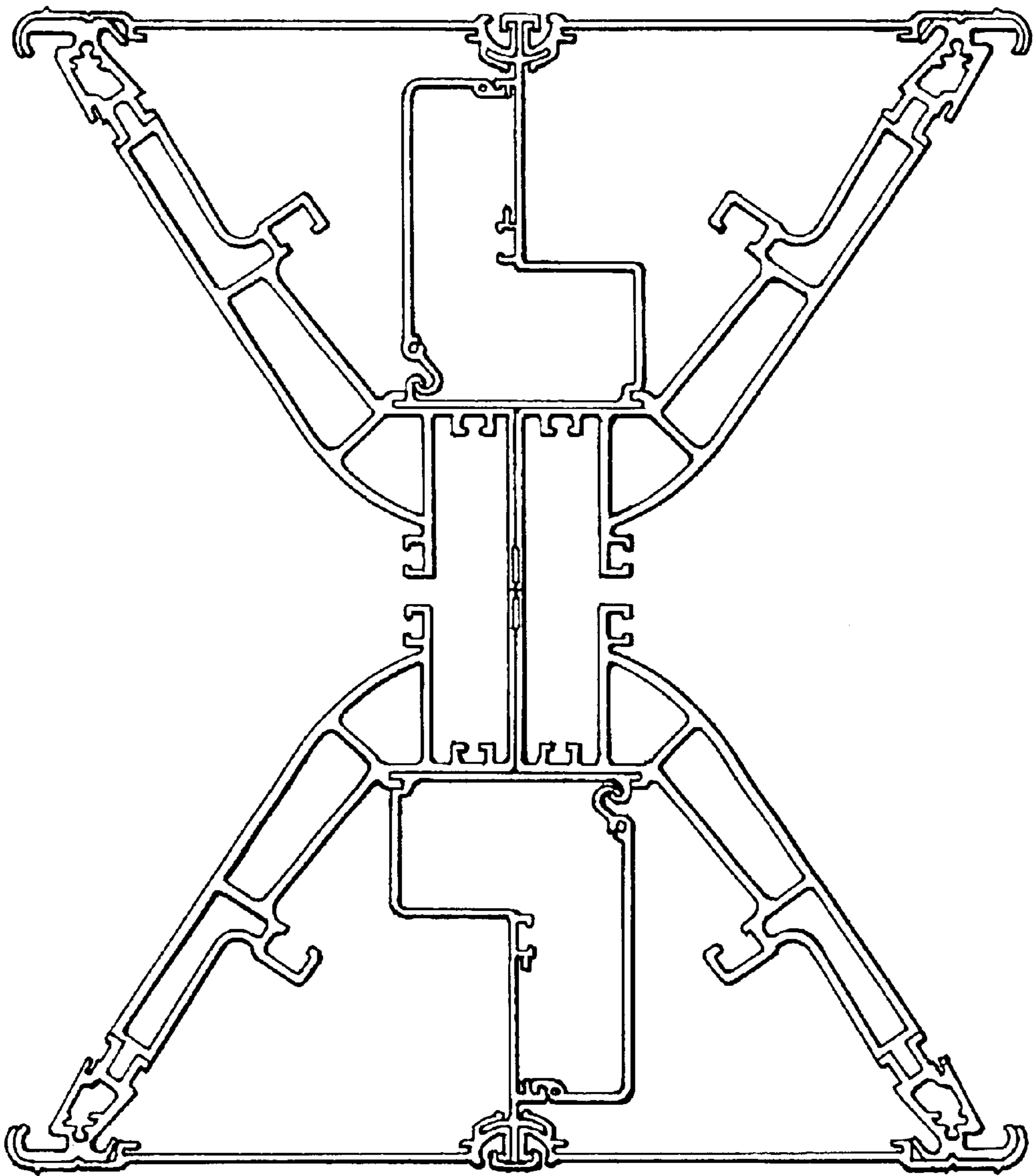


FIG. 3

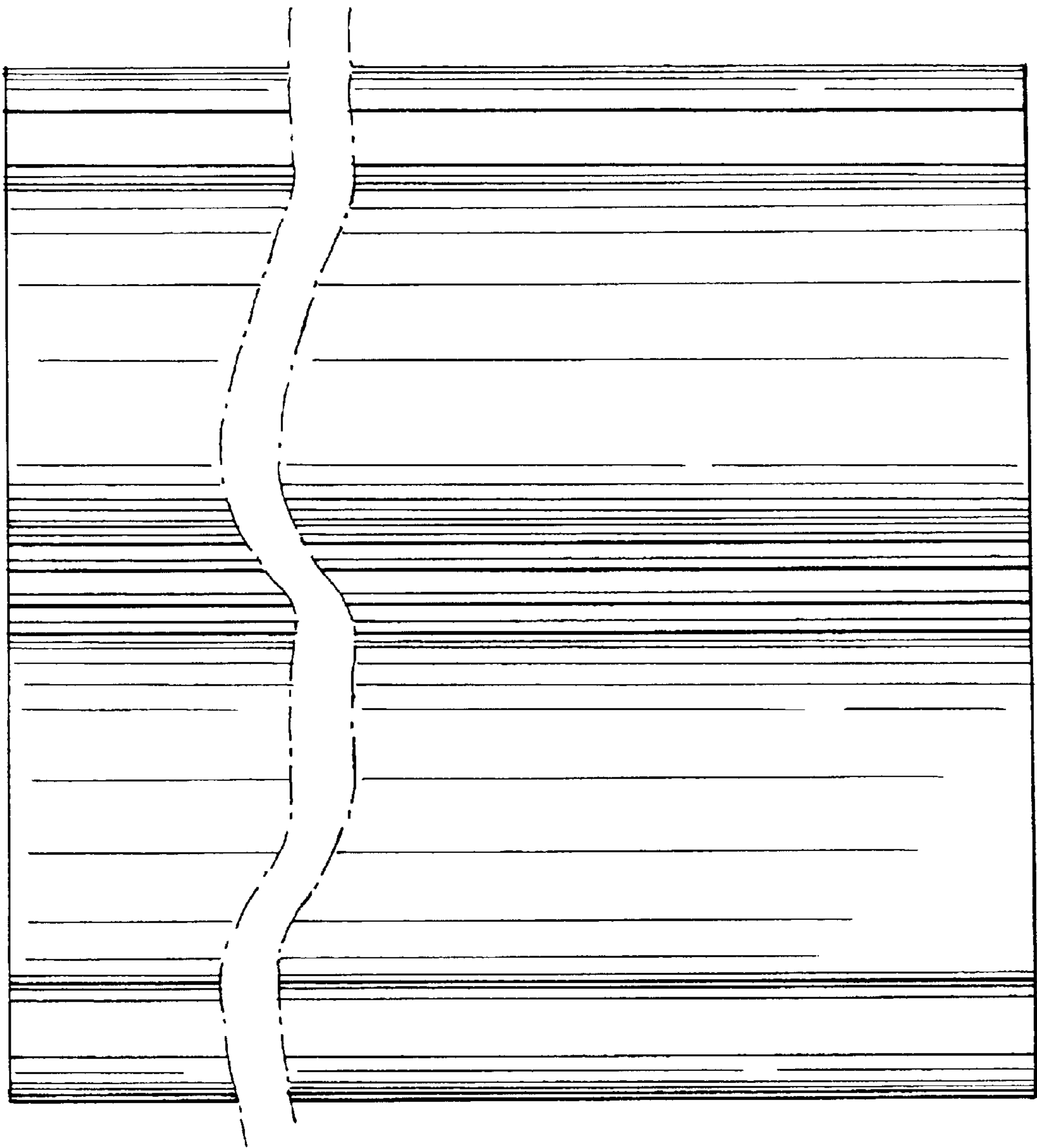


FIG.4

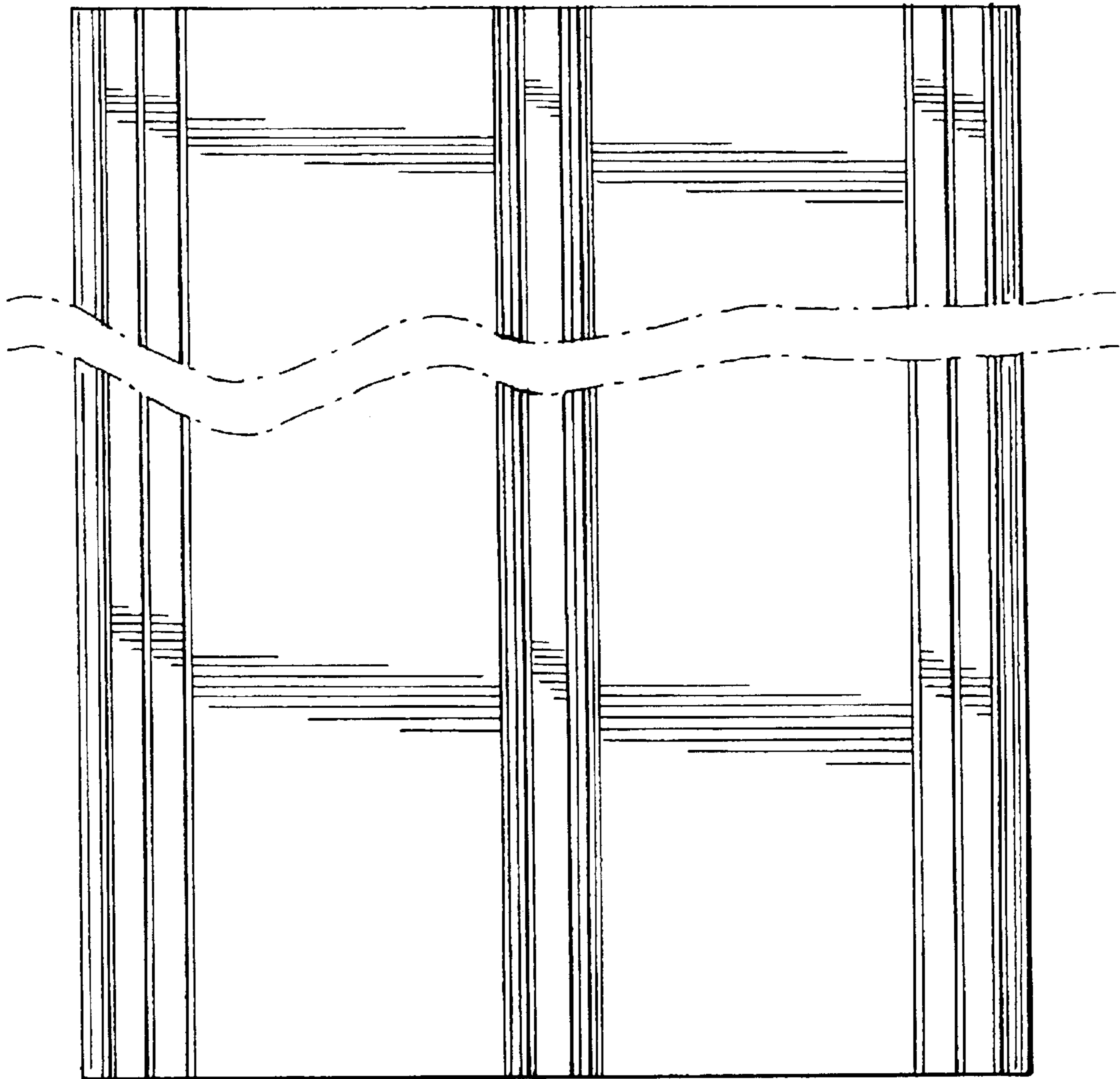


FIG. 5

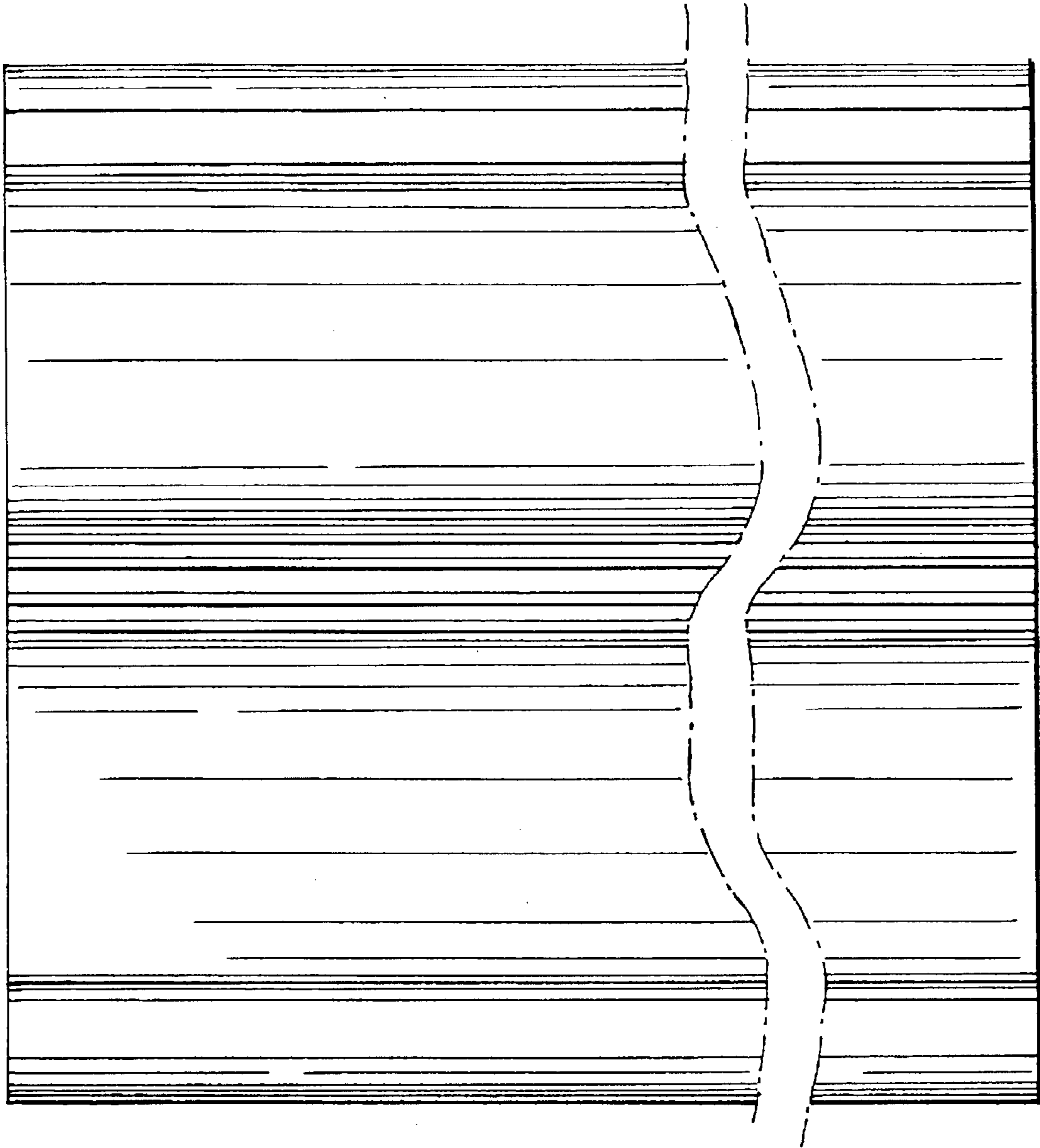


FIG. 6

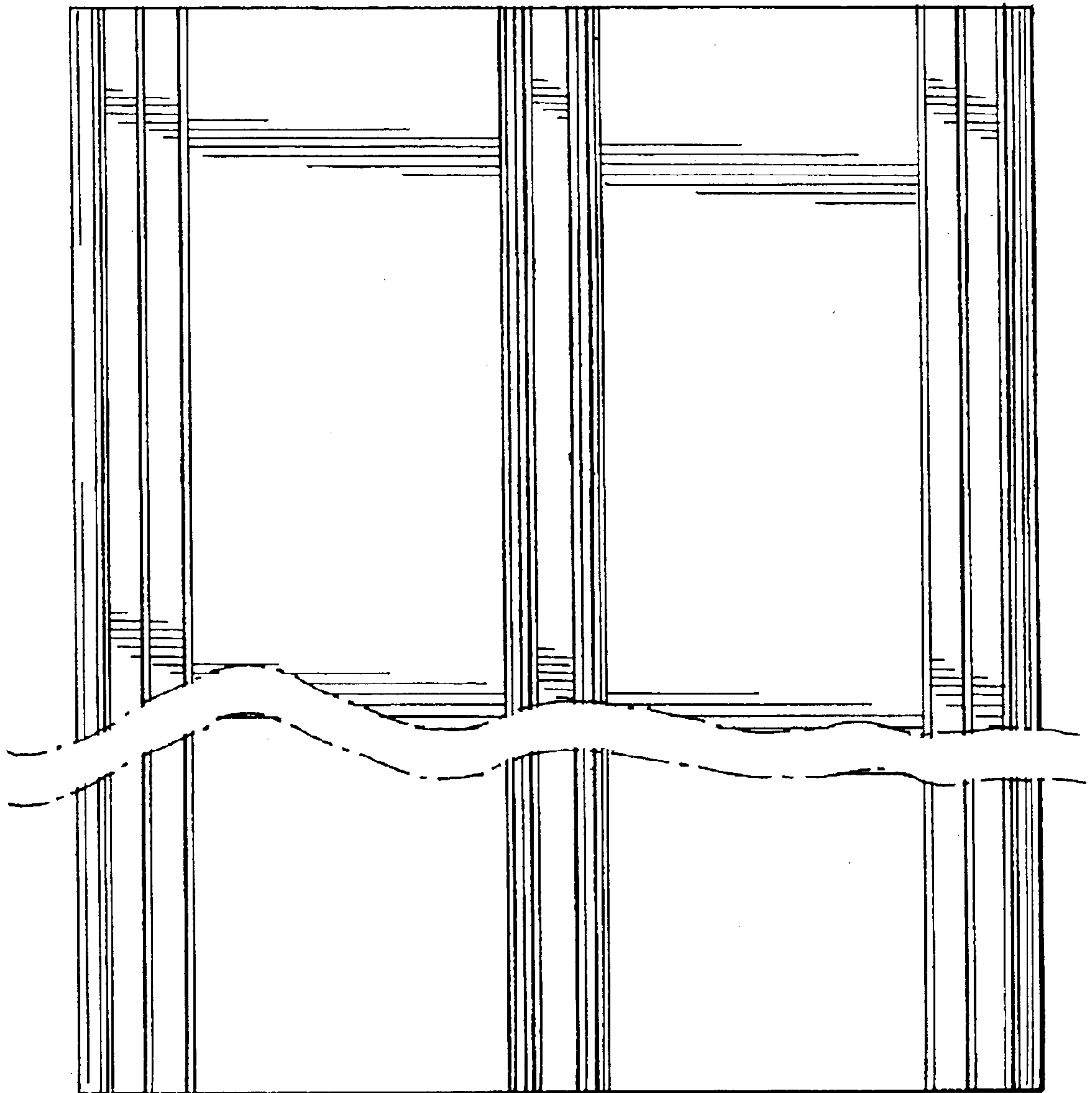


FIG. 7

