



US00D480111S

(12) **United States Design Patent**  
**White et al.**

(10) **Patent No.: US D480,111 S**

(45) **Date of Patent: \*\* Sep. 30, 2003**

- (54) **SIDE LOADING LETTER TRAY**
- (75) Inventors: **Ronald White**, Florence, AL (US);  
**Gene Thigpen**, Killen, AL (US); **John J. Miller**, Muscle Shoals, AL (US);  
**Edward S. Robbins, III**, 128 Hazelwood La., Florence, AL (US) 35634
- (73) Assignee: **Edward S. Robbins, III**, Florence, AL (US)
- (\*\*) Term: **14 Years**
- (21) Appl. No.: **29/158,794**
- (22) Filed: **Apr. 10, 2002**
- (51) **LOC (7) Cl. .... 19-02**
- (52) **U.S. Cl. .... D19/92; D19/86**
- (58) **Field of Search .... D19/35, 36, 65, D19/75, 78, 86, 91, 92, 95, 99, 100; 206/215, 555, 556, 557; 211/10, 11, 13.1, 50, 126.1, 126.13, 126.16, 55, 52, 126.2-126.7**

- (56) **References Cited**
- U.S. PATENT DOCUMENTS**
- 3,219,232 A \* 11/1965 Wilson ..... 211/126.7 X
- D220,014 S \* 2/1971 Rome et al. .... D19/92
- D261,904 S 11/1981 Polhemus
- D266,675 S 10/1982 Polhemus et al.
- 4,353,470 A 10/1982 Polhemus et al.
- D269,017 S \* 5/1983 Martin ..... D19/92
- D290,141 S 6/1987 Rabig
- D294,601 S \* 3/1988 Klodt ..... D19/92
- D294,957 S 3/1988 Lothe
- D296,706 S \* 7/1988 Evans ..... D19/92
- 4,768,298 A 9/1988 Polhemus et al.
- 4,785,939 A 11/1988 Huerto et al.
- 4,887,724 A 12/1989 Pielechowski et al.
- 4,907,703 A 3/1990 Alger et al.
- D311,931 S \* 11/1990 Evenson ..... D19/92

- 5,054,629 A 10/1991 Breen
- D325,222 S 4/1992 Brusing
- D327,295 S 6/1992 Szablak et al.
- D327,503 S 6/1992 Szablak et al.
- D327,504 S 6/1992 Breen et al.
- D334,412 S 3/1993 Feer
- D335,505 S 5/1993 Chan
- D348,284 S 6/1994 Thorud et al.
- D348,694 S 7/1994 Evenson
- 5,363,974 A 11/1994 Chan
- 5,456,366 A 10/1995 Wenkman
- D368,116 S 3/1996 Kozo
- D377,432 S 1/1997 McPeek et al.
- D390,876 S 2/1998 Cheris et al.
- D396,246 S 7/1998 Cheris et al.
- D428,059 S 7/2000 Saylor et al.
- 6,189,705 B1 2/2001 Saylor et al.
- D438,568 S 3/2001 Saylor et al.
- D445,136 S 7/2001 Saylor et al.

\* cited by examiner

*Primary Examiner*—Martie K. Holtje  
(74) *Attorney, Agent, or Firm*—Brinks Hofer Gilson & Lione

(57) **CLAIM**

I claim the ornamental design for a side loading letter tray, as shown and described.

**DESCRIPTION**

FIG. 1 is a perspective view of a side loading letter tray of the present invention.

FIG. 2 is a top plan view of the side loading letter tray shown in FIG. 1.

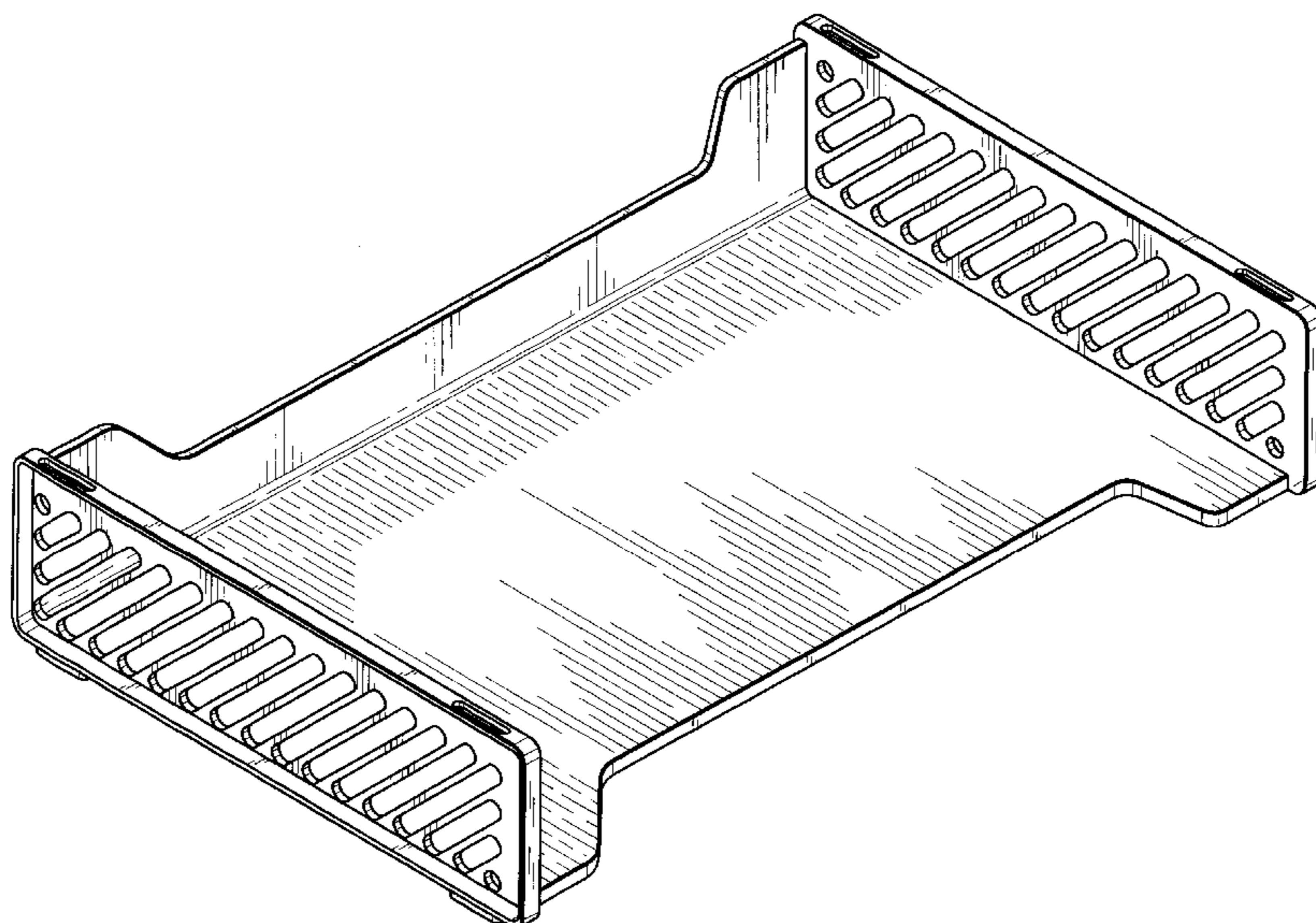
FIG. 3 is a bottom plan view of the side loading letter tray shown in FIG. 1.

FIG. 4 is an elevation view from the bottom of FIG. 2.

FIG. 5 is an elevation view from the top of FIG. 2.

FIG. 6 is an elevation view from the left side of FIG. 4; and, FIG. 7 is an elevation view from the right side of FIG. 4.

**1 Claim, 4 Drawing Sheets**



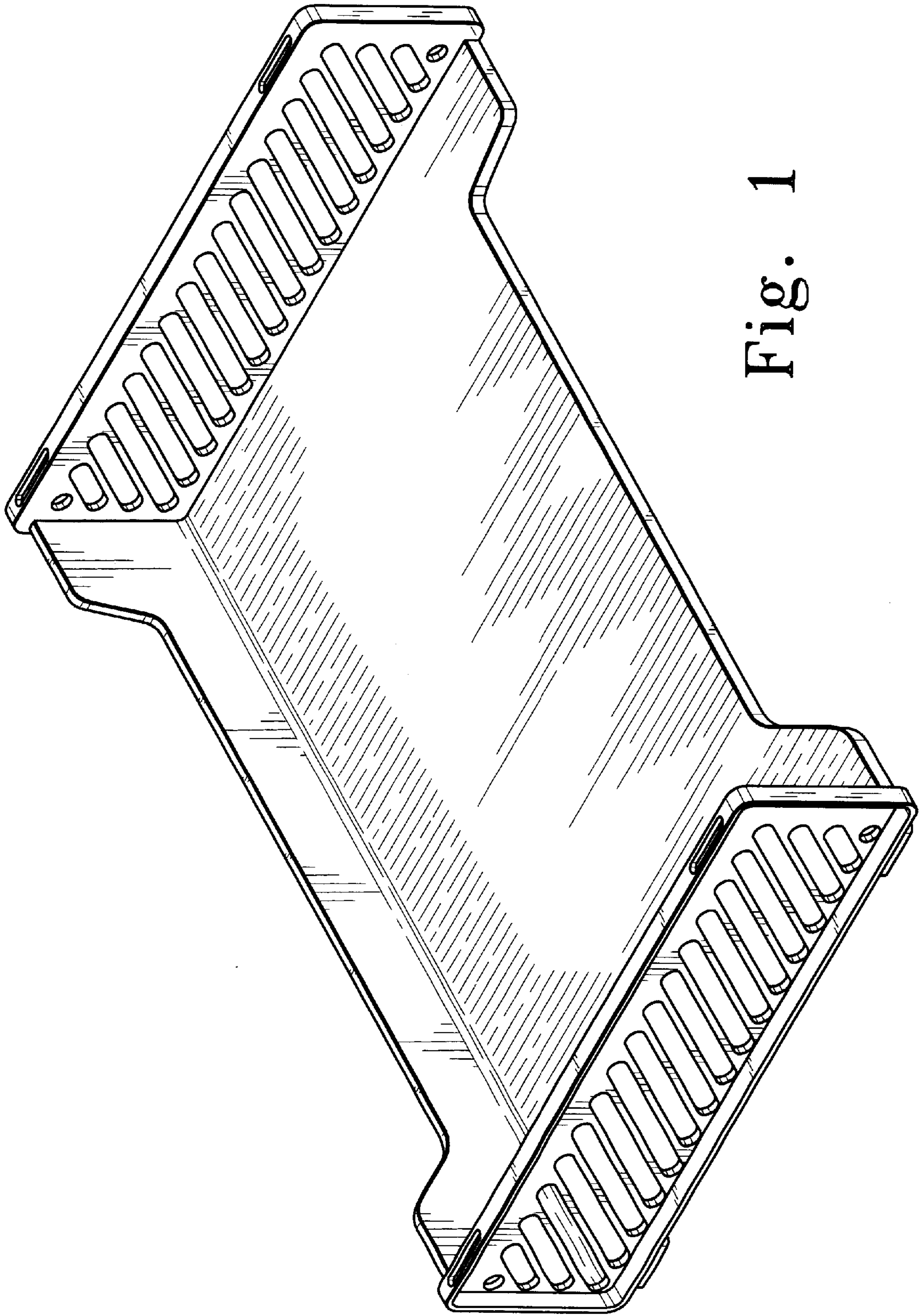


Fig. 1

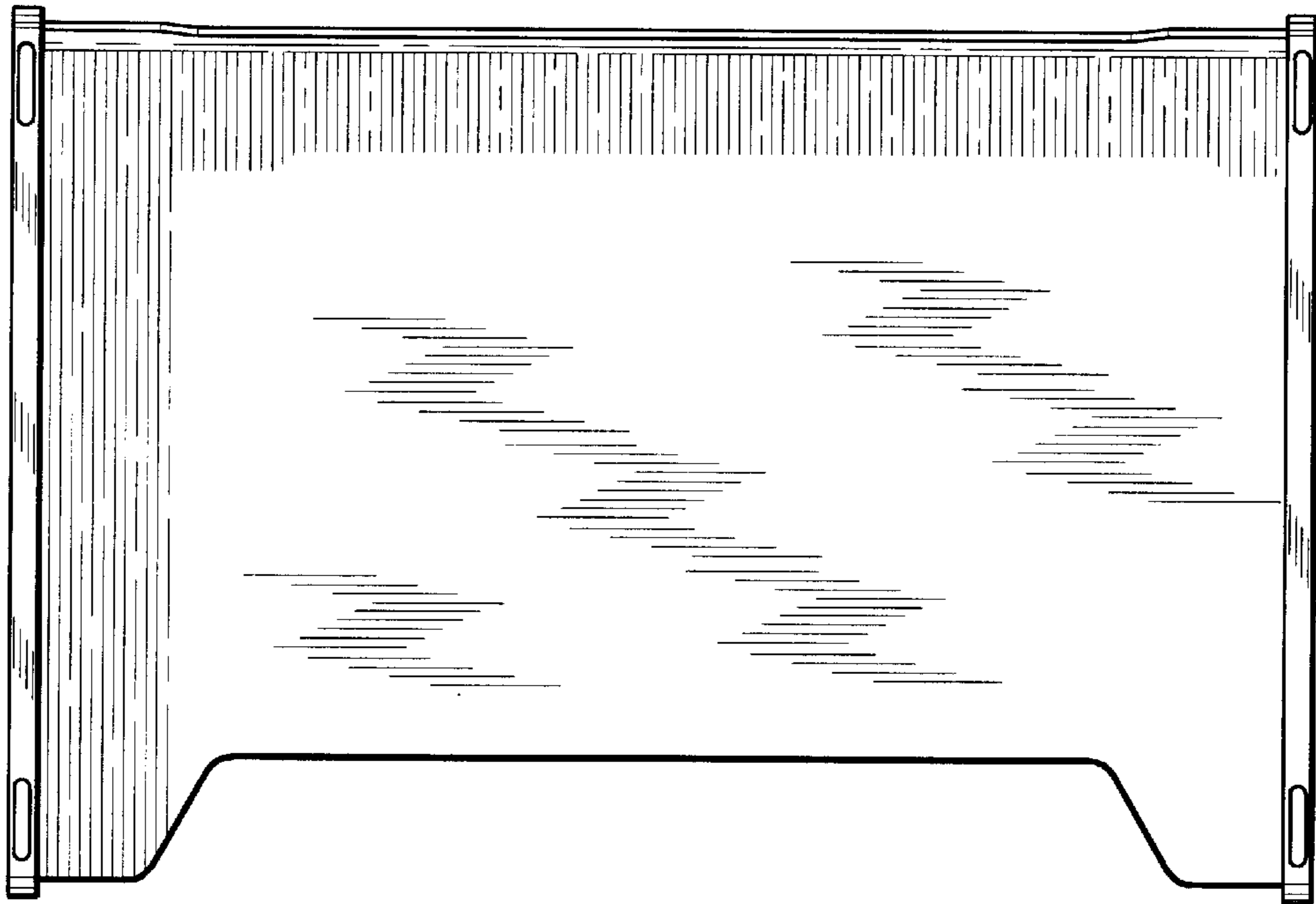


Fig. 2

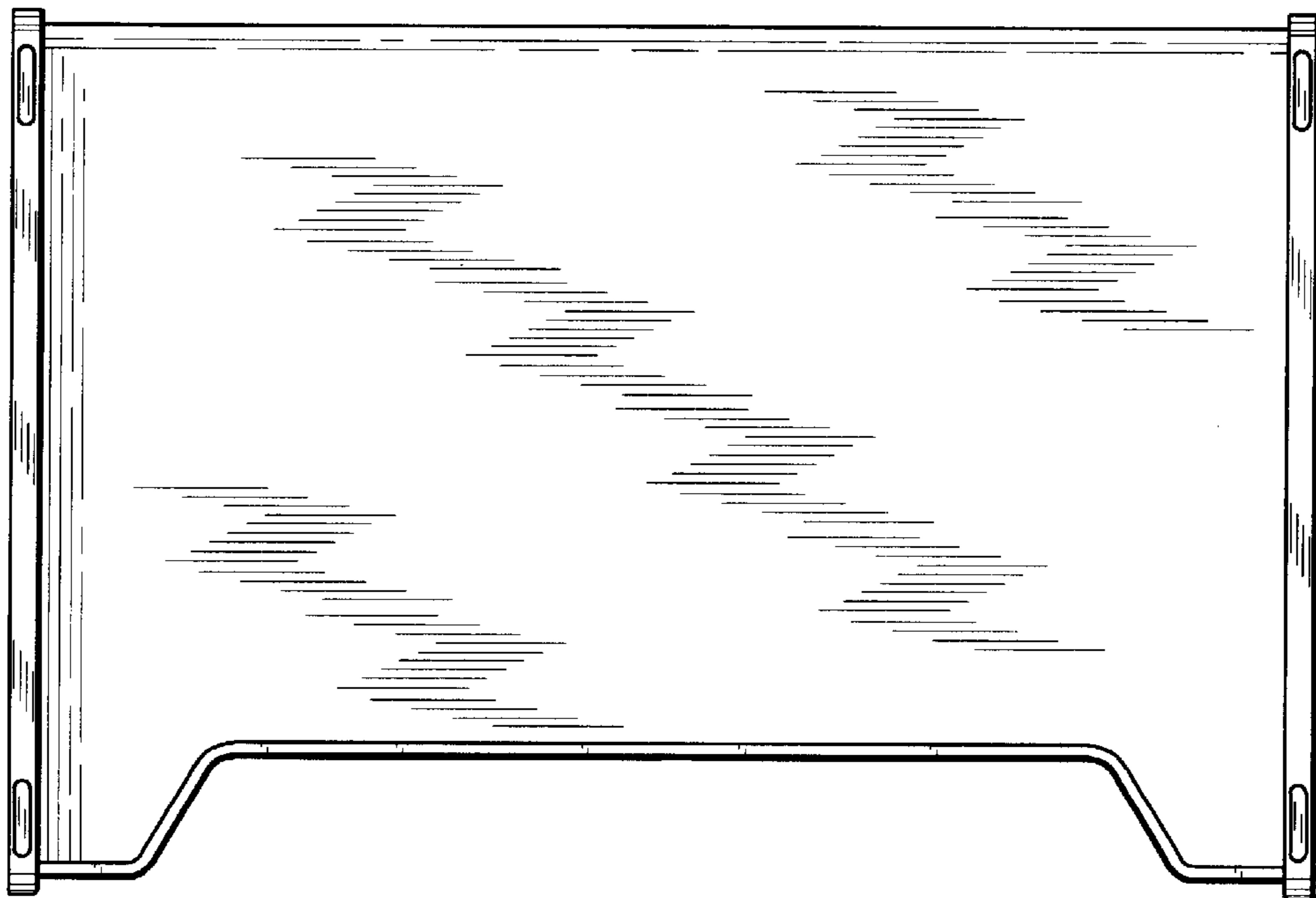


Fig. 3

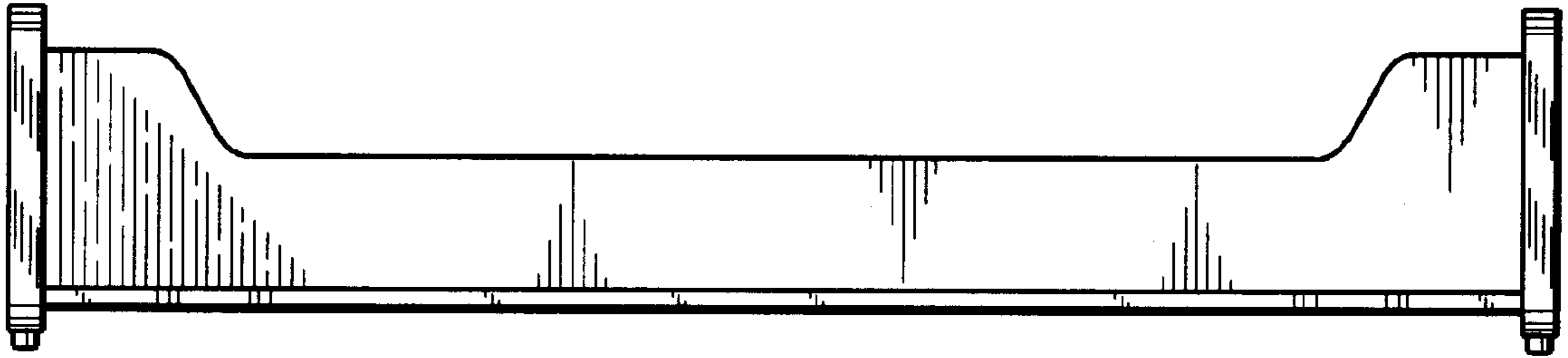


Fig. 4

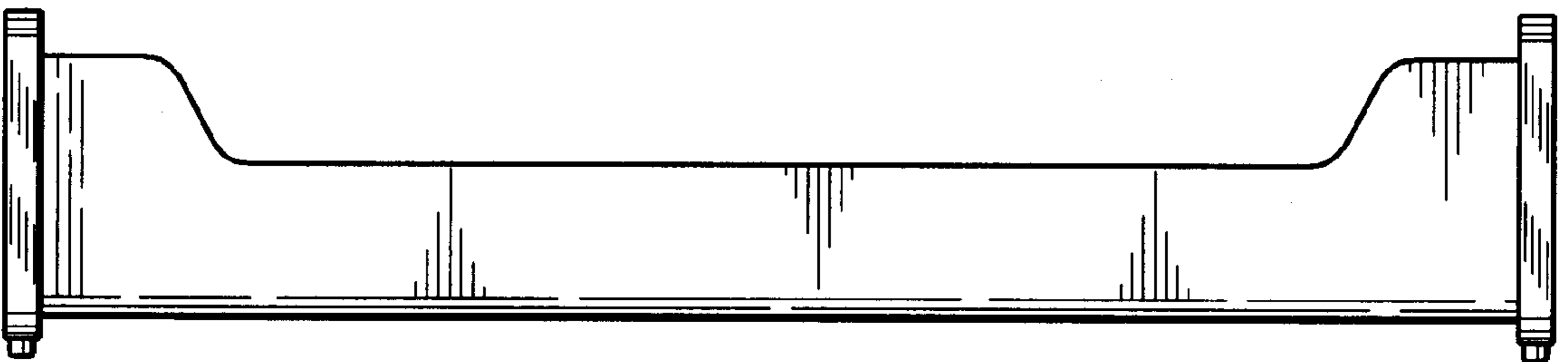


Fig. 5

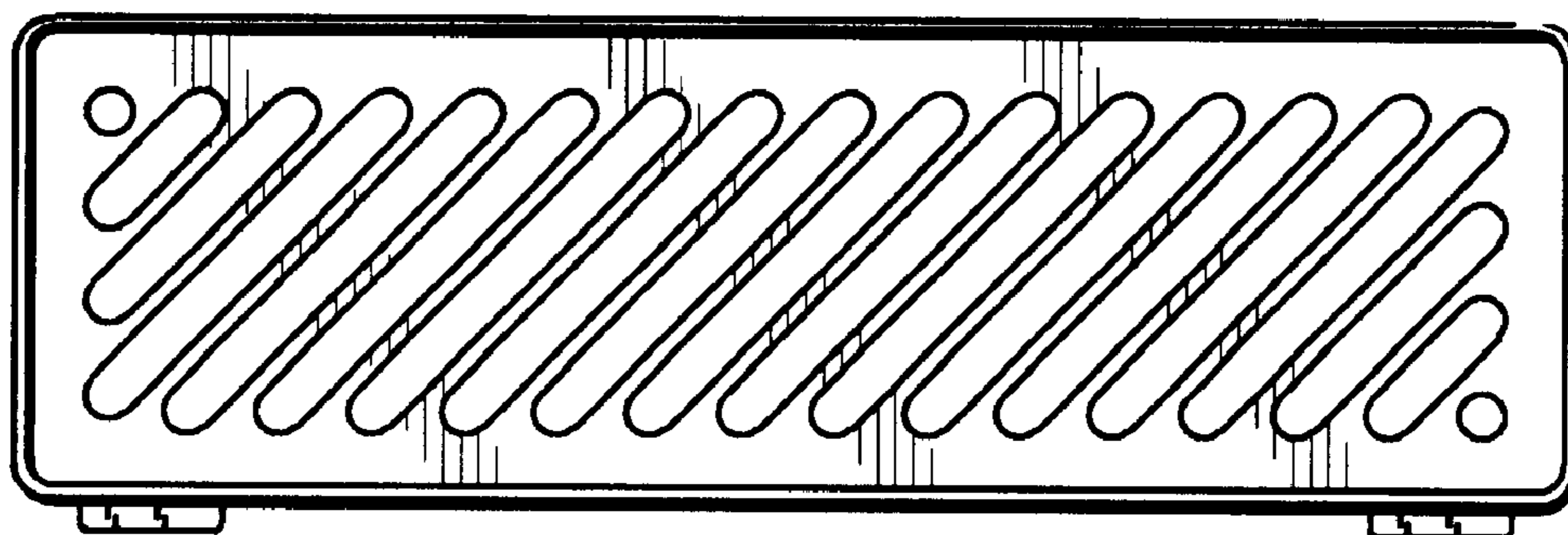


Fig. 6

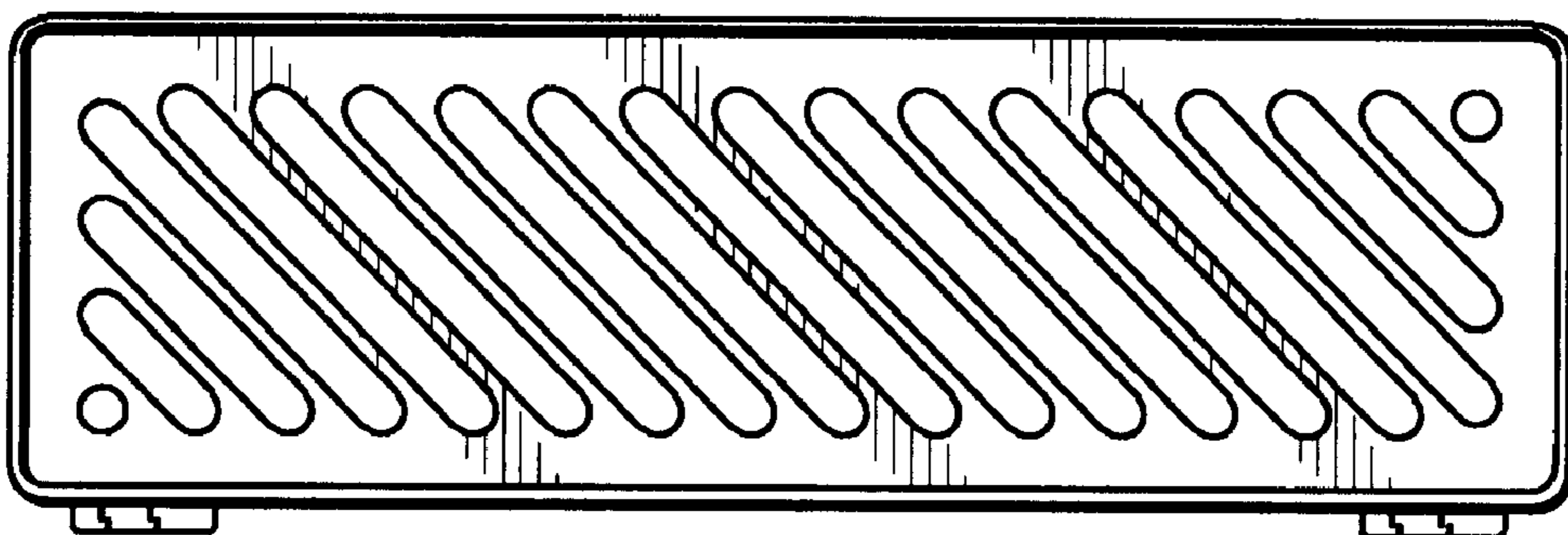


Fig. 7