



US00D480106S

(12) **United States Design Patent**
Man

(10) **Patent No.:** **US D480,106 S**

(45) **Date of Patent:** **** Sep. 30, 2003**

(54) **PEN SET WITH CLOCK AND MEMO-HOLDER**

(75) Inventor: **Raymond Lam Wai Man**, Kowloon (HK)

(73) Assignee: **C & L Elegance Manufactory Limited**, Kowloon (HK)

(**) Term: **14 Years**

(21) Appl. No.: **29/165,120**

(22) Filed: **Aug. 6, 2002**

(30) **Foreign Application Priority Data**

May 9, 2002 (HK) 0210655

(51) **LOC (7) Cl.** **19-06**

(52) **U.S. Cl.** **D19/36; D19/51; D19/78; D10/2; D10/15**

(58) **Field of Search** D19/35, 36, 41-51, D19/53-58, 81-85, 75, 78, 95, 99, 100; D10/1-5, 15, 22, 23; 368/10; 401/6, 7, 52, 88, 195; 211/69.1-69.9

(56) **References Cited**

U.S. PATENT DOCUMENTS

1,762,103 A * 6/1930 Ferris 211/69.5
D186,702 S * 11/1959 Bunn D19/84
3,139,865 A * 7/1964 Aimes 211/69.5

D255,369 S * 6/1980 Gross D19/75
D317,624 S * 6/1991 Jurinjak D19/42
D452,883 S * 1/2002 DeLuca et al. D19/84
D454,156 S * 3/2002 Man D19/36
D471,585 S * 3/2003 Man D19/36

* cited by examiner

Primary Examiner—Martie K. Holtje

(74) *Attorney, Agent, or Firm*—Salter & Michaelson

(57) **CLAIM**

The ornamental design for a pen set with clock and memo-holder, as shown and described.

DESCRIPTION

FIG. 1 is a perspective view of a pen set with clock and memo-holder showing my new design with the pen shown in the pen holder;

FIG. 2 is a front elevational view thereof;

FIG. 3 is a rear elevational view thereof;

FIG. 4 is a left side elevational view thereof;

FIG. 5 is a right side elevational view thereof;

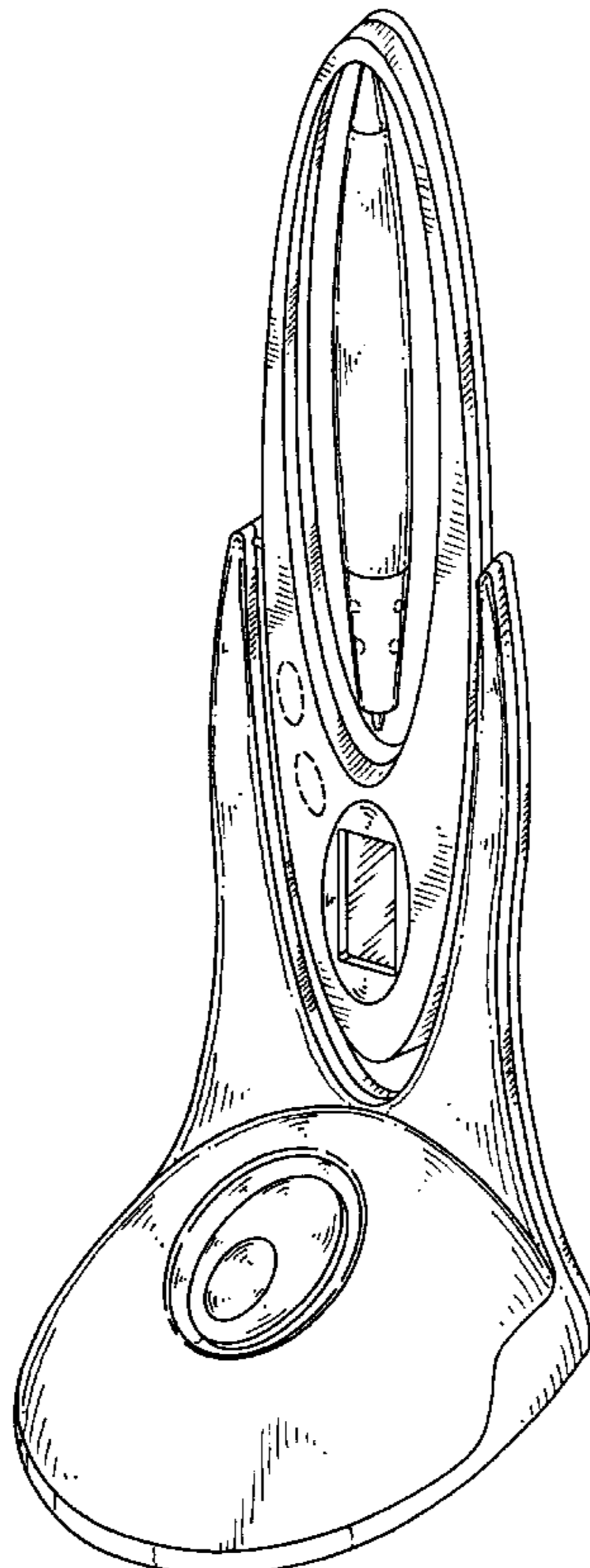
FIG. 6 is a top plan view thereof;

FIG. 7 is a bottom plan view thereof; and,

FIG. 8 is a perspective view thereof showing the pen out of the holder.

The portions shown in broken lines are included for illustrative purposes only and form no part of the claimed design.

1 Claim, 5 Drawing Sheets



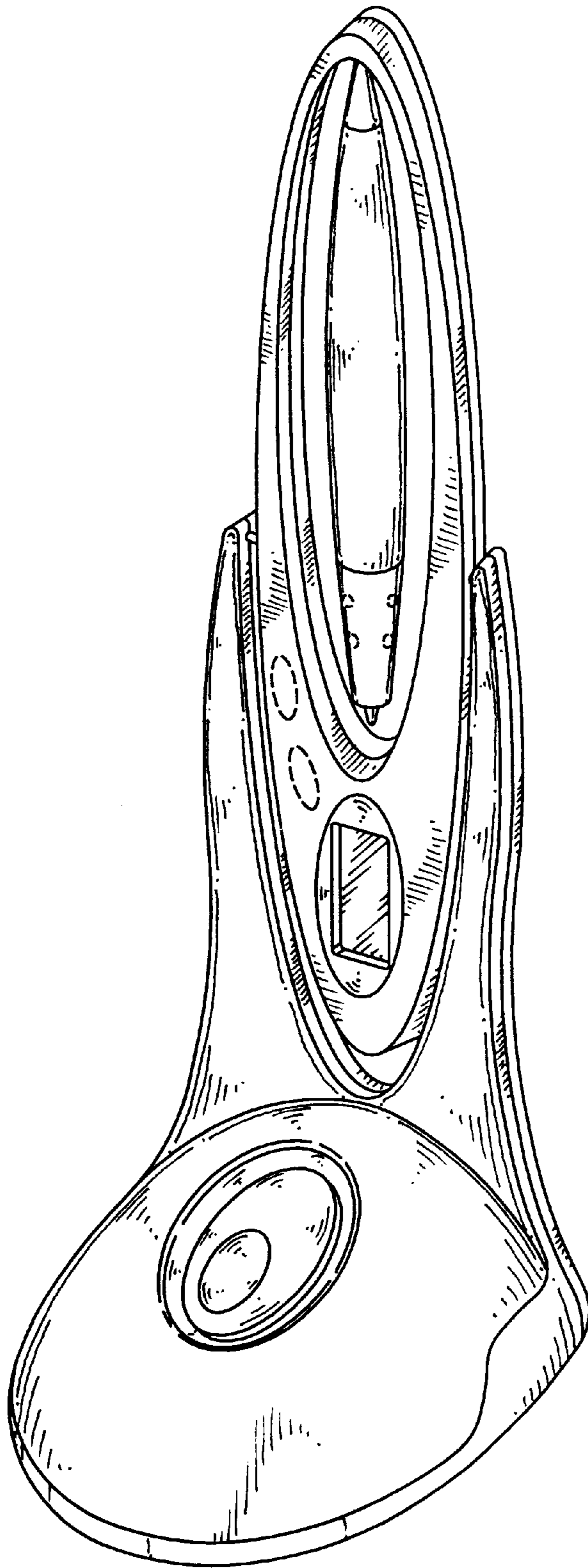


FIG. 1

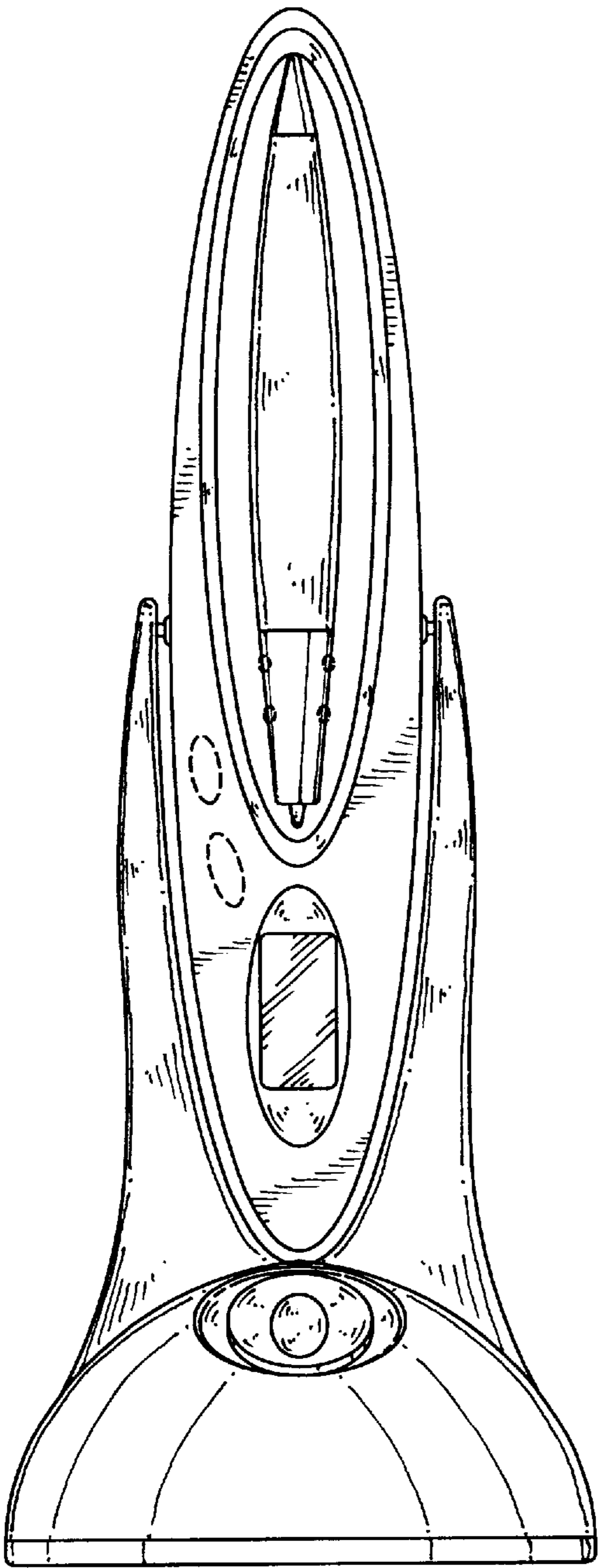


FIG. 2

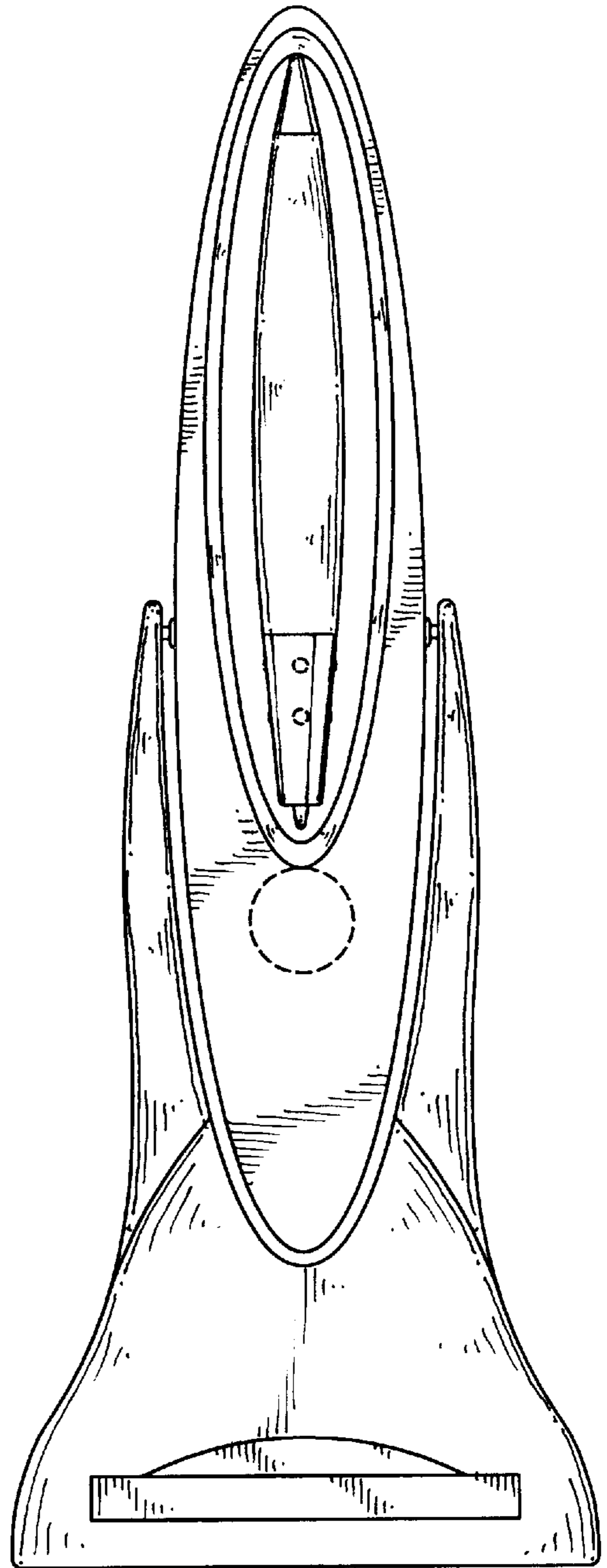
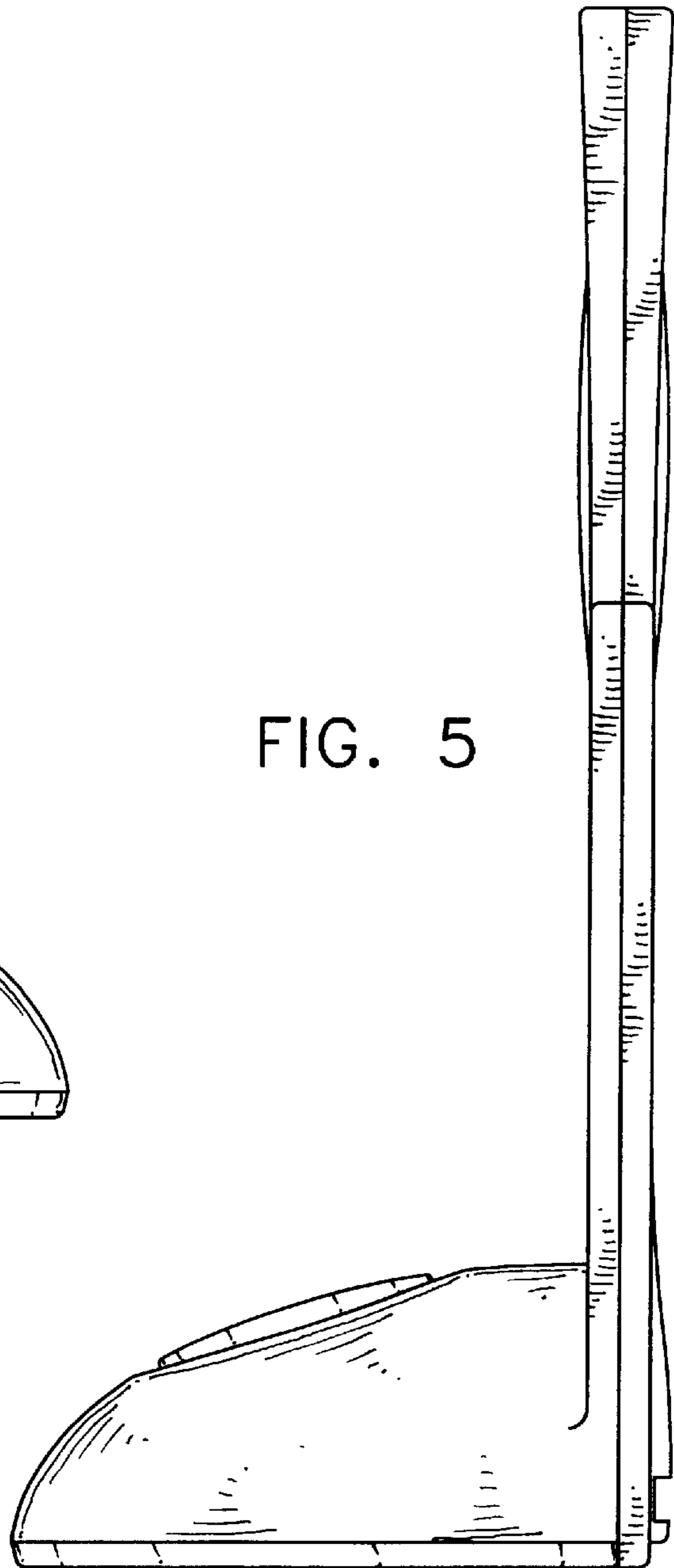
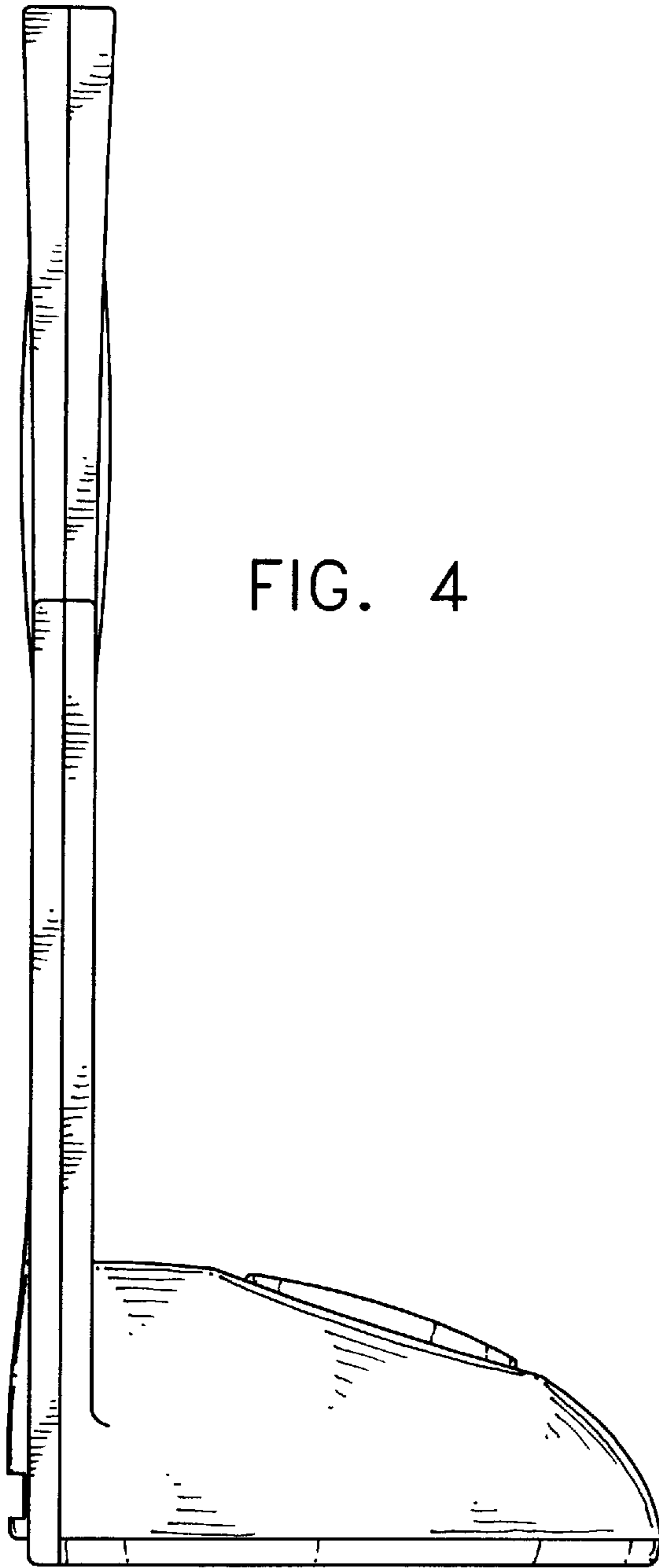


FIG. 3



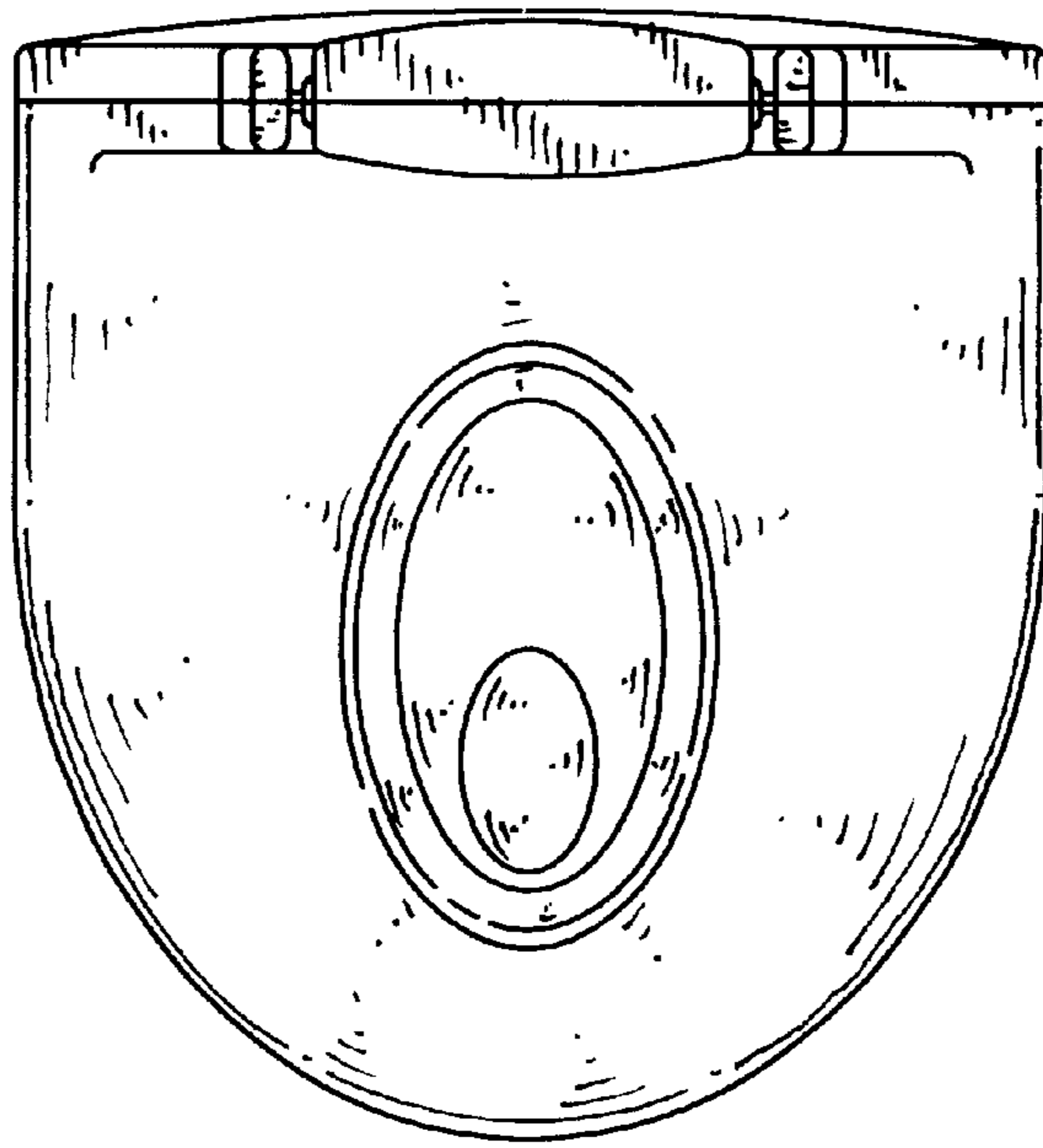


FIG. 6

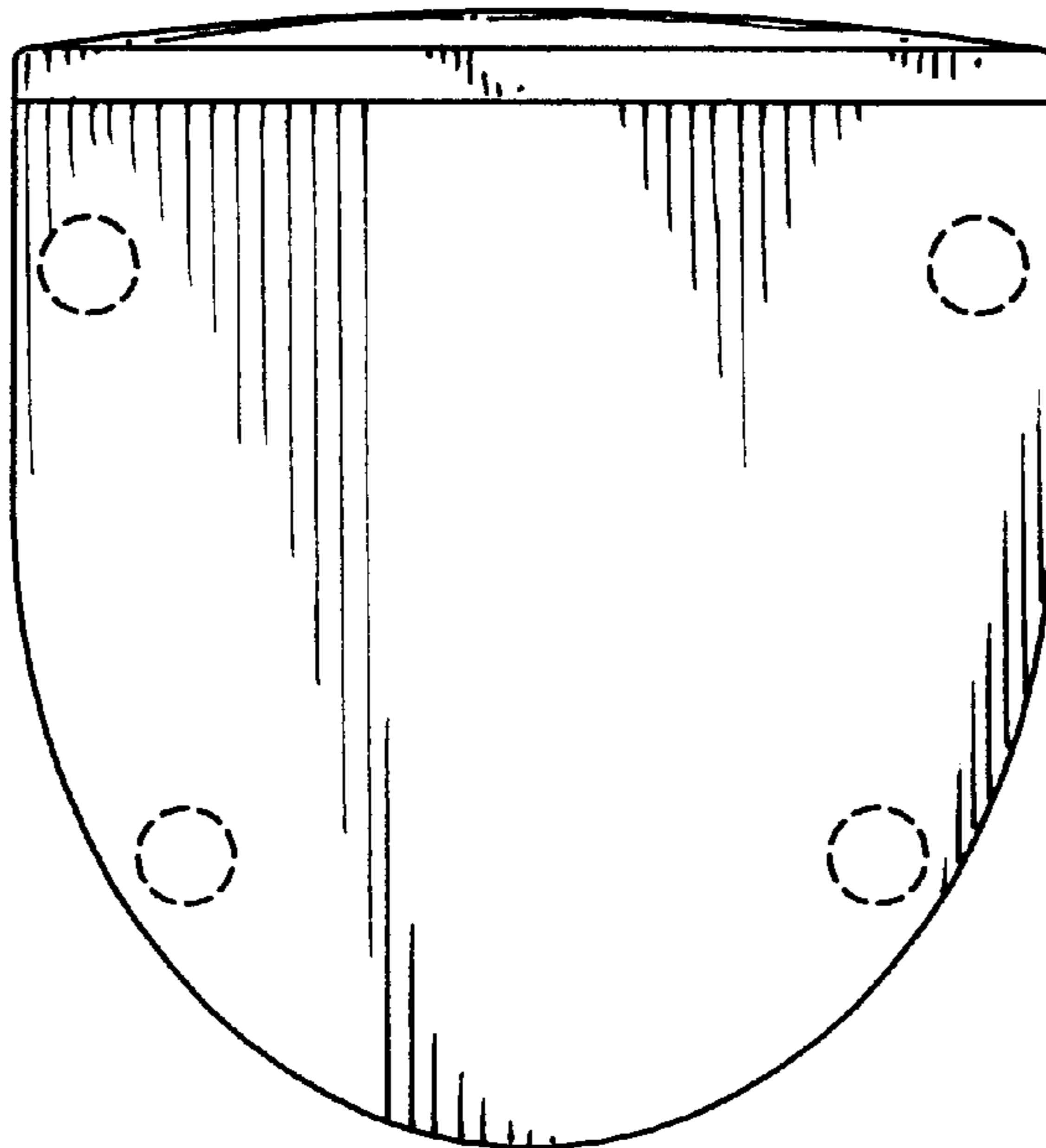


FIG. 7

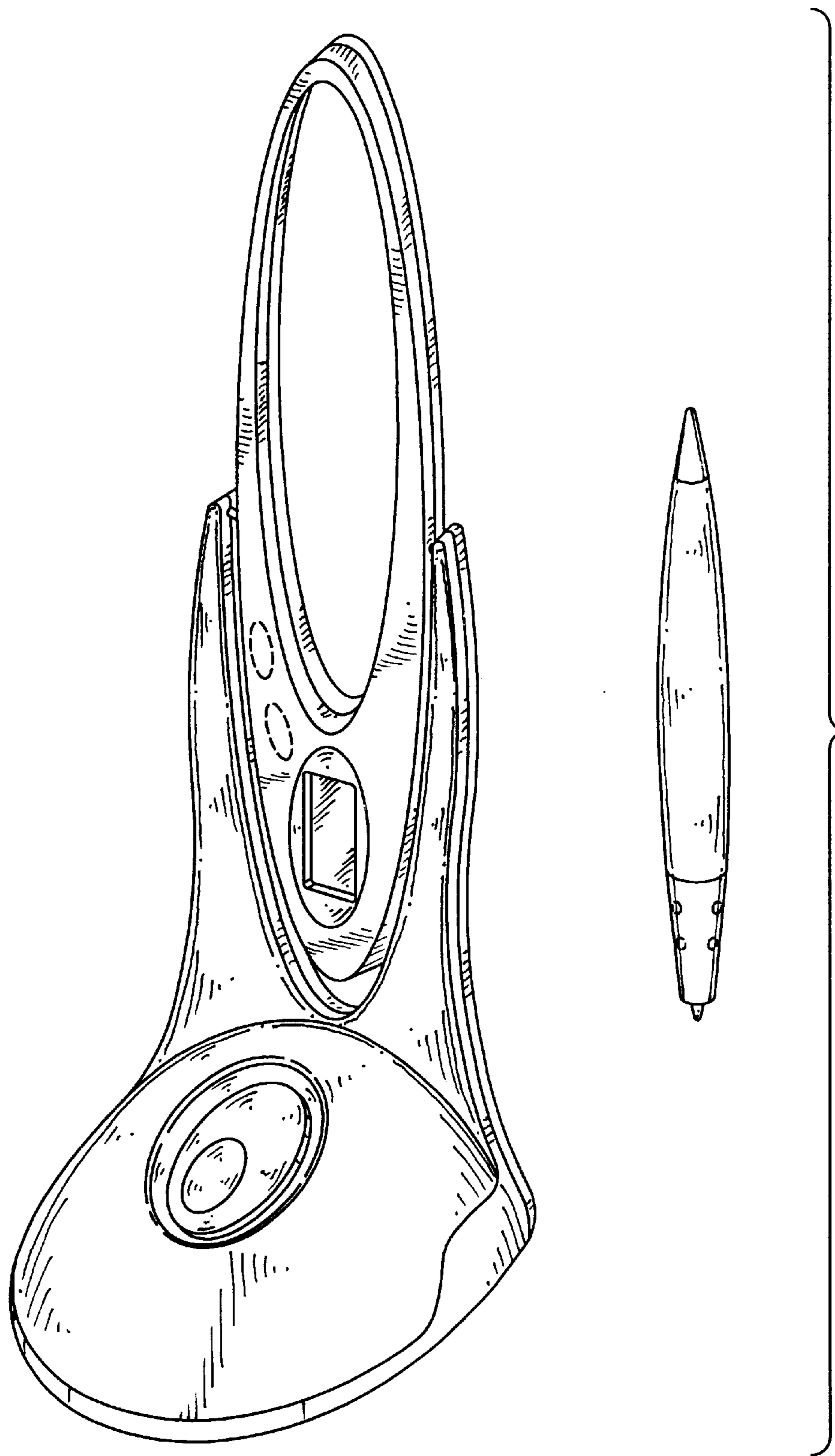


FIG. 8