



US00D480103S

(12) **United States Design Patent**
Stefanski et al.

(10) **Patent No.:** **US D480,103 S**

(45) **Date of Patent:** **** Sep. 30, 2003**

(54) **SEAL PRESS**

(75) Inventors: **Walter W. Stefanski**, Berkeley Heights, NJ (US); **Steven J. Sculler**, Morganville, NJ (US)

(73) Assignee: **M&R Marking Systems, Inc.**, Piscataway, NJ (US)

(**) Term: **14 Years**

(21) Appl. No.: **29/174,161**

(22) Filed: **Jan. 13, 2003**

(51) **LOC (7) Cl.** **18-02**

(52) **U.S. Cl.** **D18/15**

(58) **Field of Search** D18/15-19; 101/31.1 I,
101/28.327, 72, 499; 400/134.4, 134.6;
156/220, 219

(56) **References Cited**

U.S. PATENT DOCUMENTS

- 2,077,853 A * 4/1937 Priesmeyer 101/31.1
- D114,149 S * 4/1939 Jackson et al. D18/15
- 2,187,773 A * 1/1940 Eyman 101/31.1
- 2,203,644 A * 6/1940 Priesmeyer 101/31.1
- 2,706,447 A * 4/1955 Priesmeyer 101/31.1
- 2,706,448 A 4/1955 Priesmeyer
- 2,906,197 A 9/1959 Priesmeyer
- 2,998,766 A 9/1961 Priesmeyer
- 3,154,010 A * 10/1964 Rudy 101/31.1
- 3,177,801 A 4/1965 Priesmeyer
- 3,313,231 A * 4/1967 Priesmeyer et al. 101/31.1

- 3,554,122 A 1/1971 Priesmeyer et al.
- 4,278,017 A 7/1981 Conjura
- 5,819,647 A * 10/1998 Balosh 101/31.1

OTHER PUBLICATIONS

M&R Marking Systems Catalog, 2002 (cover and page Nos. 34 and 35).

M.I.M. Europe 2002/2003 Buyers Guide (cover and page No. 26).

* cited by examiner

Primary Examiner—Charles A. Rademaker

(74) *Attorney, Agent, or Firm*—Lerner, David, Littenberg, Krumholz & Mentlik, LLP

(57) **CLAIM**

The ornamental design for a seal press, as shown and described.

DESCRIPTION

FIG. 1 is a right side perspective view of the subject seal press in a locked position the left side view being a mirror image of the right side view;
 FIG. 2 is a front plan view thereof;
 FIG. 3 is a rear view thereof;
 FIG. 4 is a top plan view thereof;
 FIG. 5 is a bottom plan view thereof; and,
 FIG. 6 is a right side view of the subject seal press in an unlocked position the left side view being a mirror image of the right side view.

1 Claim, 3 Drawing Sheets

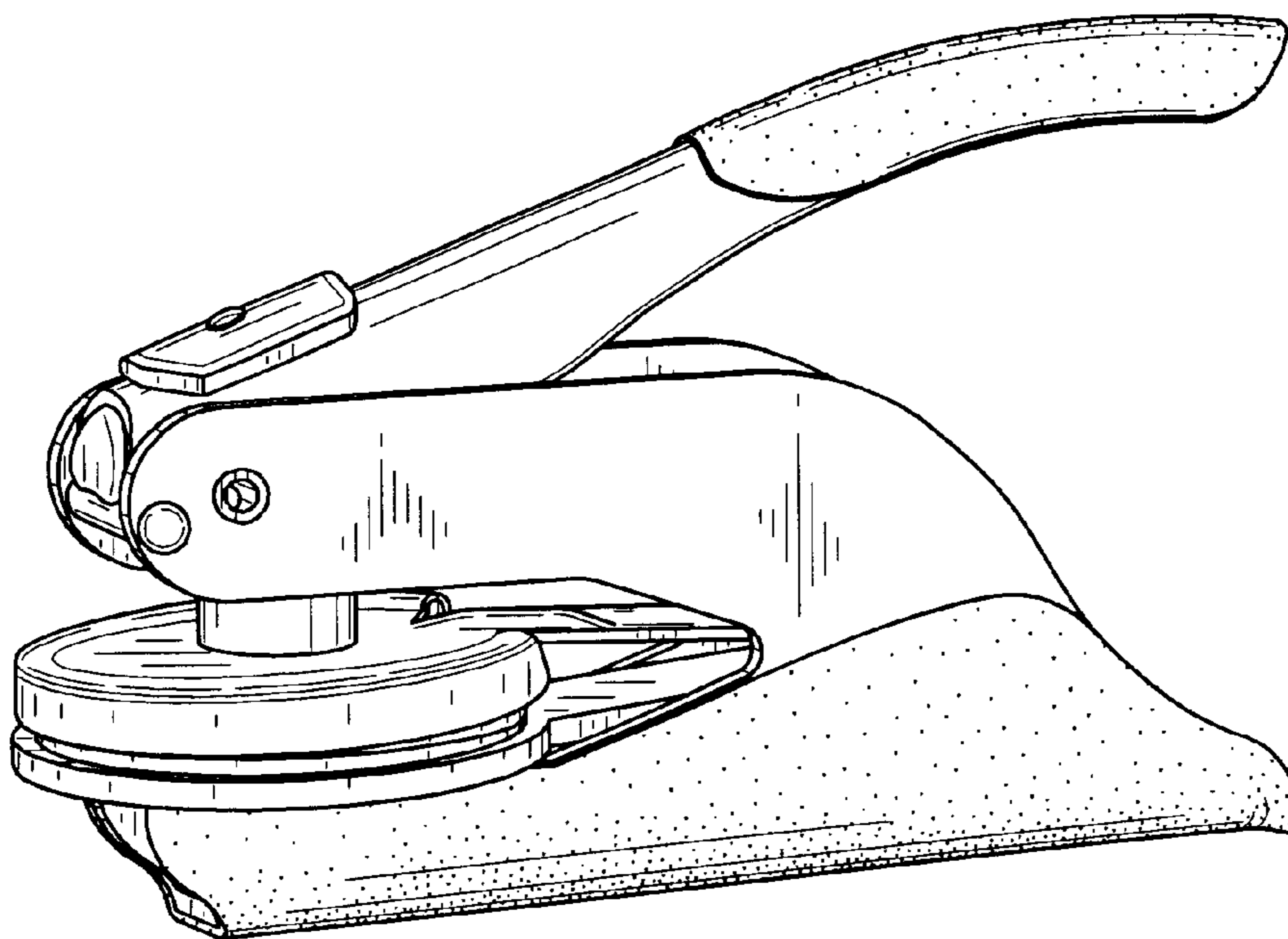


FIG. 1

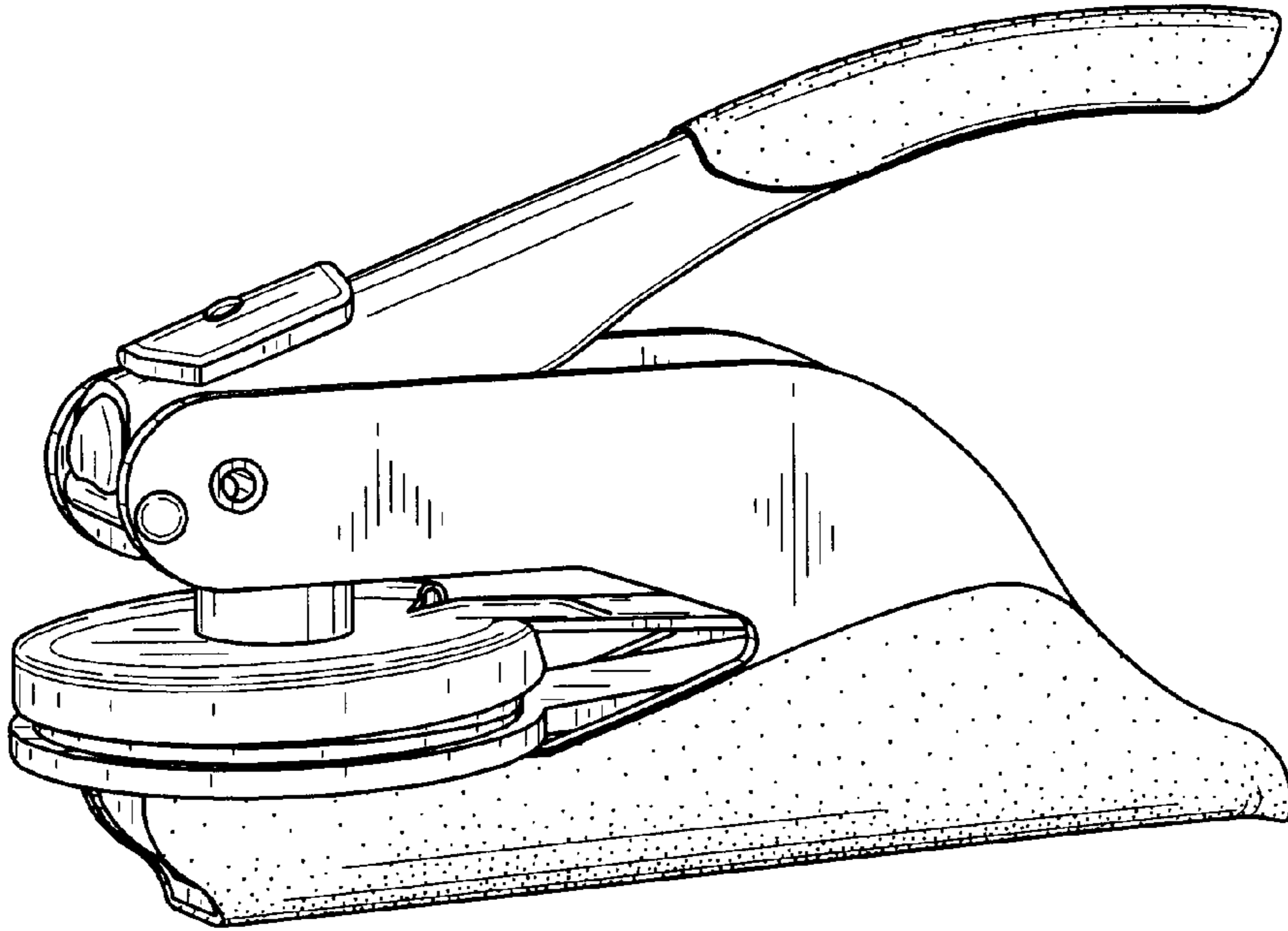


FIG. 2

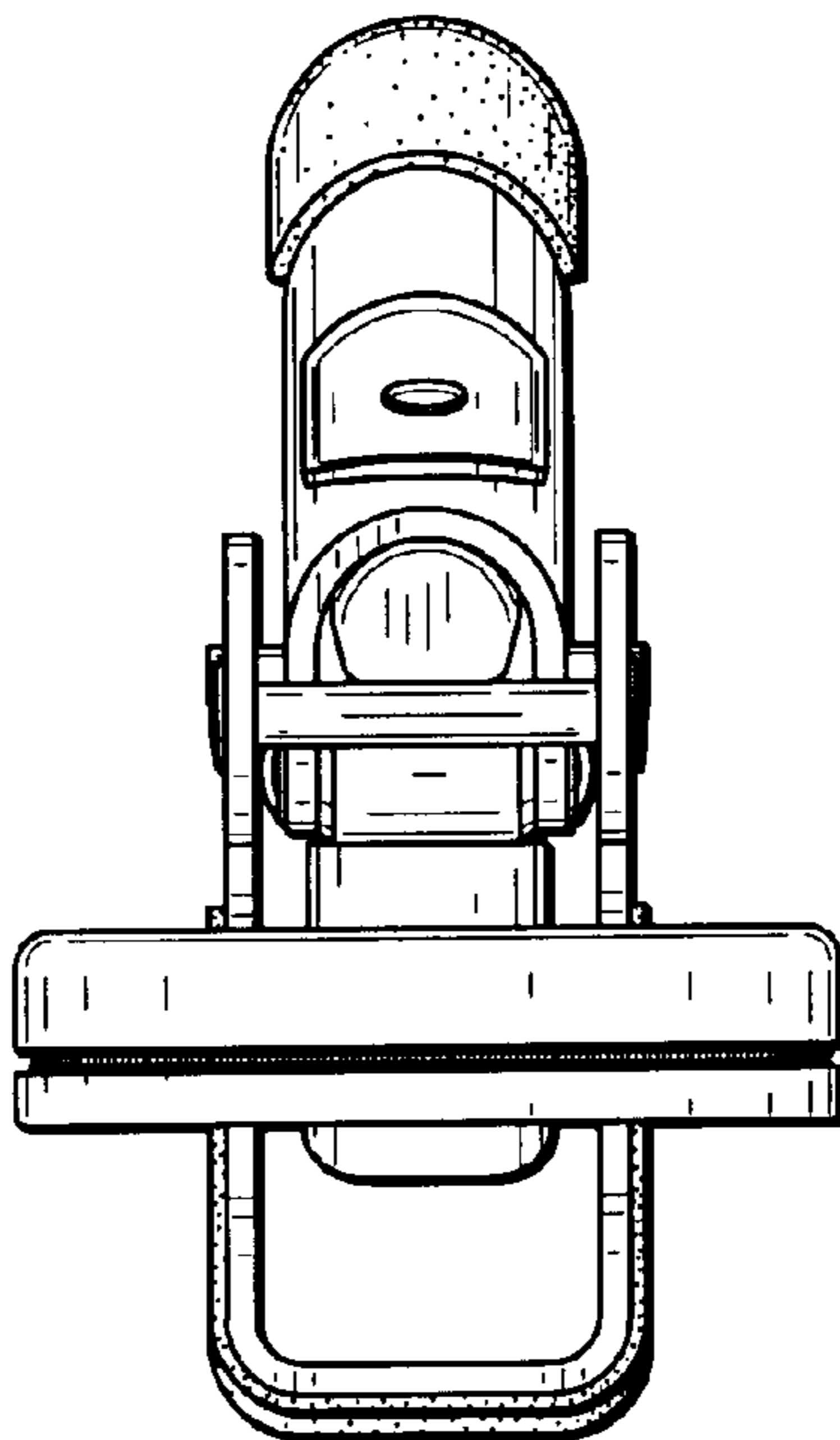


FIG. 3

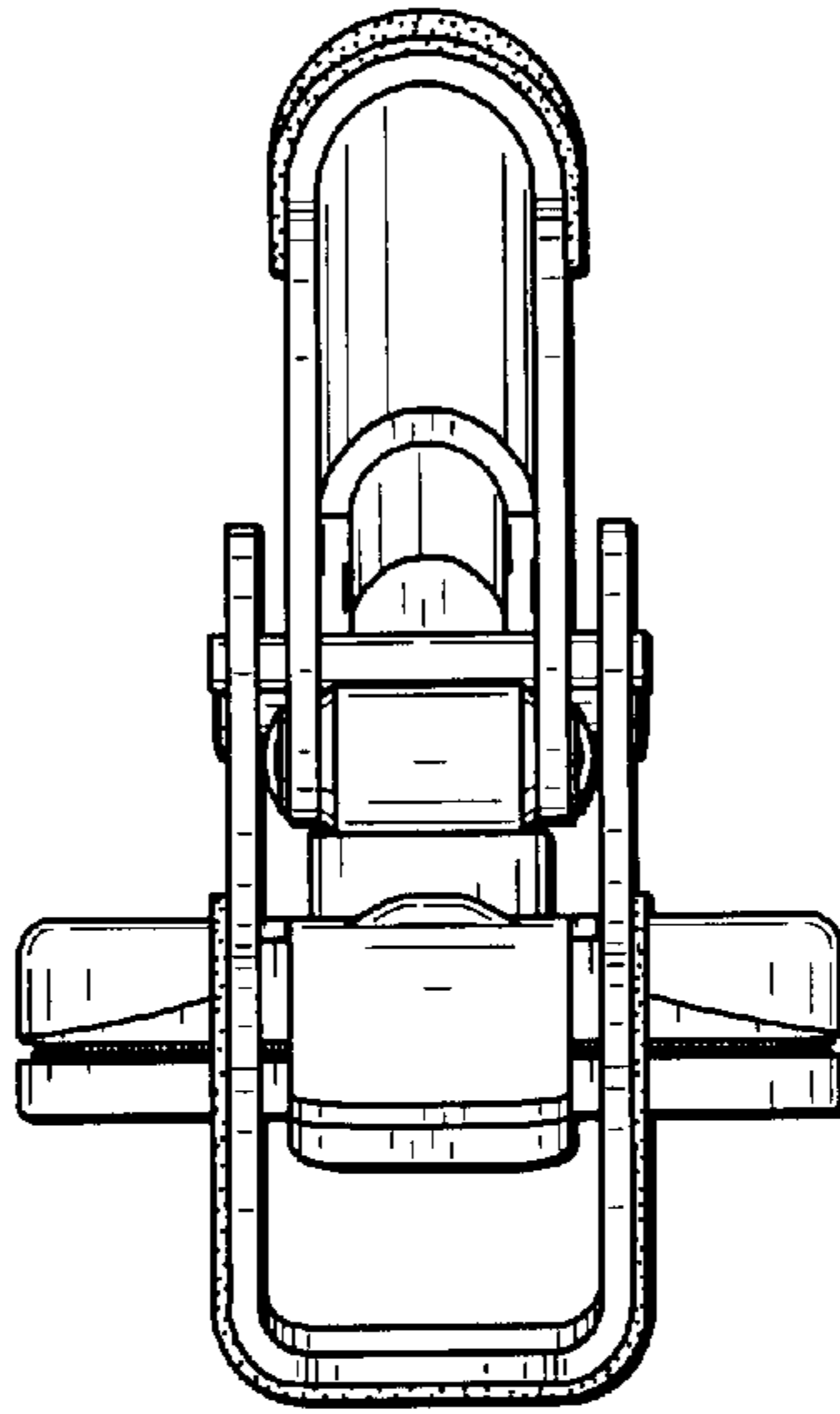


FIG. 4

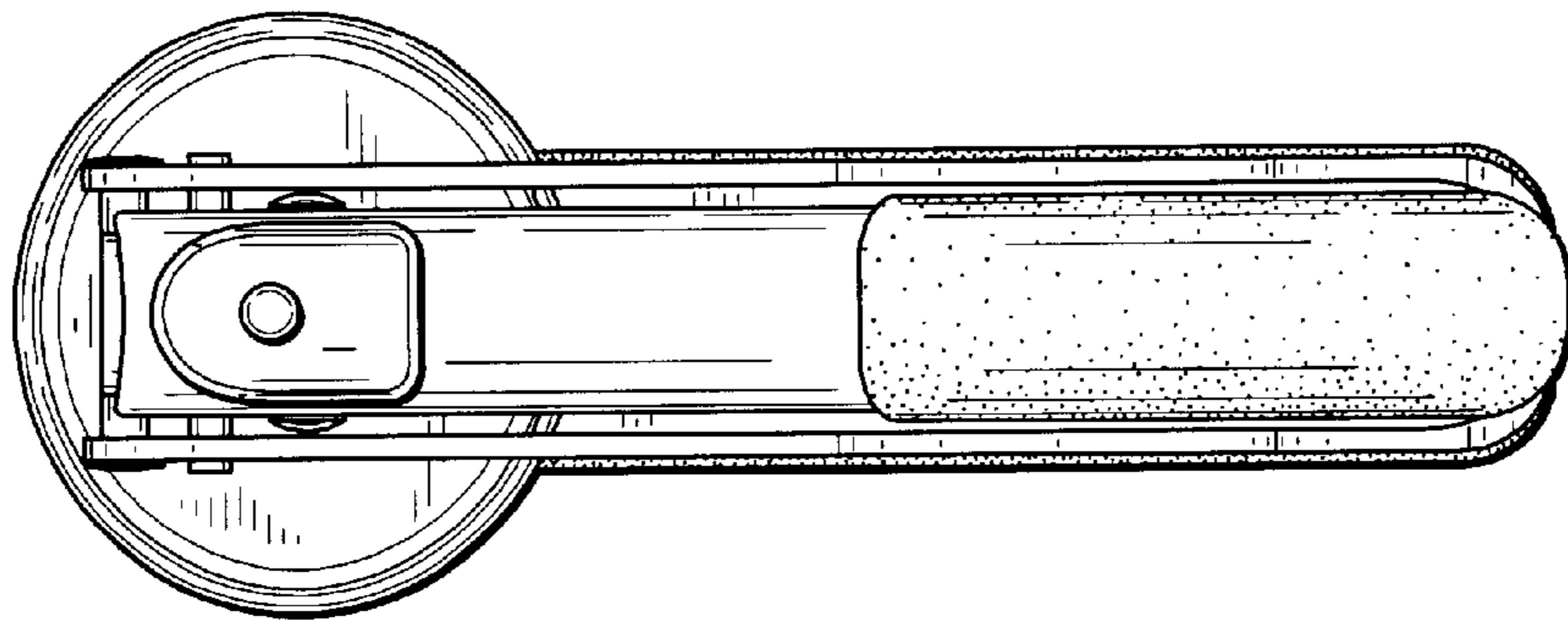


FIG. 5

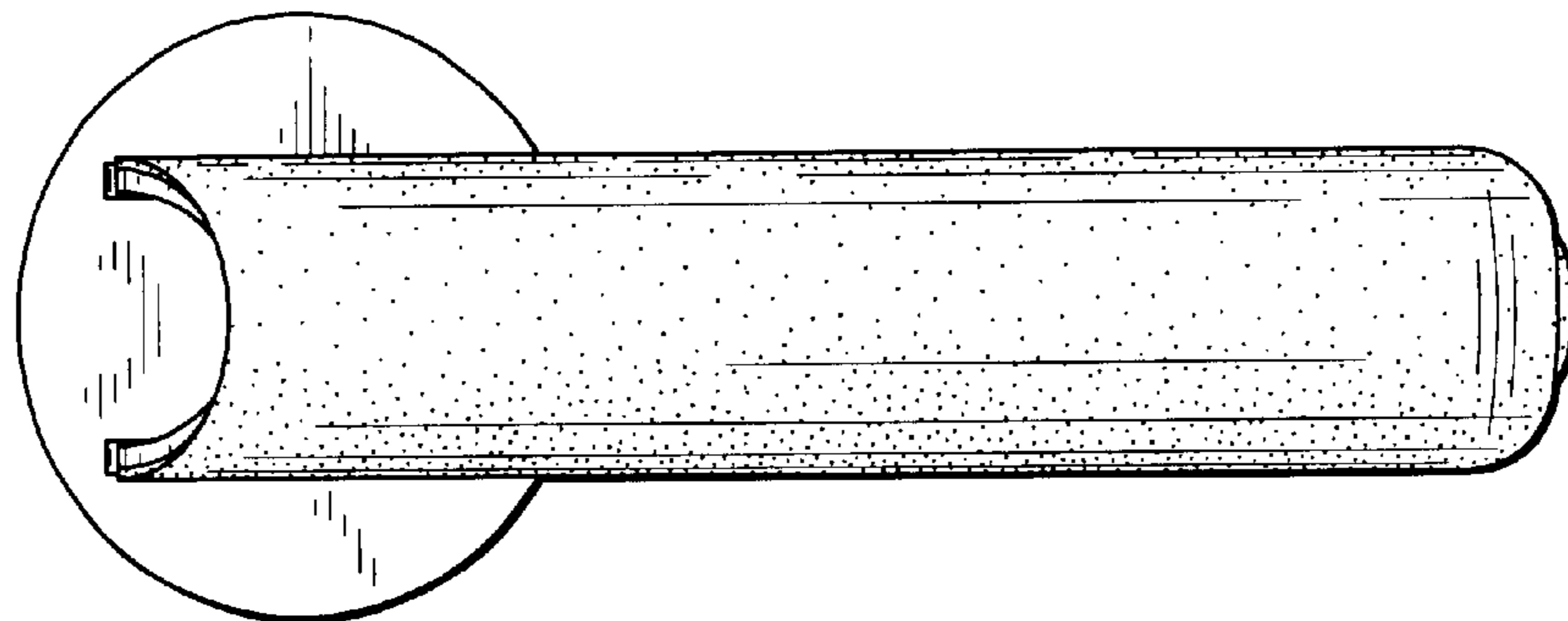


FIG. 6

