



US00D480100S

(12) **United States Design Patent**
Lam

(10) **Patent No.:** **US D480,100 S**

(45) **Date of Patent:** **** Sep. 30, 2003**

(54) **PROJECTOR MOUNT**

6,328,269 B1 * 12/2001 Krautloher 248/288.11

(75) Inventor: **Derrick Quang Lam**, Cicero, IL (US)

* cited by examiner

(73) Assignee: **Peerless Industries, Inc.**, Melrose Park, IL (US)

Primary Examiner—Adir Aronovich
(74) *Attorney, Agent, or Firm*—Foley & Lardner

(**) Term: **14 Years**

(57) **CLAIM**

(21) Appl. No.: **29/144,136**

The ornamental design for a projector mount, as shown and described.

(22) Filed: **Jun. 7, 2001**

DESCRIPTION

(51) **LOC (7) Cl.** **16-02**

(52) **U.S. Cl.** **D16/235; D16/242**

(58) **Field of Search** D16/221, 225,
D16/230, 235, 237, 242; D6/513; 248/278.1,
288.11, 327-329; 353/119, 122

FIG. 1 is an isometric view of a projector mount showing my new design;
FIG. 2 is front end view thereof;
FIG. 3 is a right side view thereof;
FIG. 4 is a top plan view thereof;
FIG. 5 is a left side view thereof;
FIG. 6 is a rear end view thereof; and,
FIG. 7 is a bottom plan view thereof.

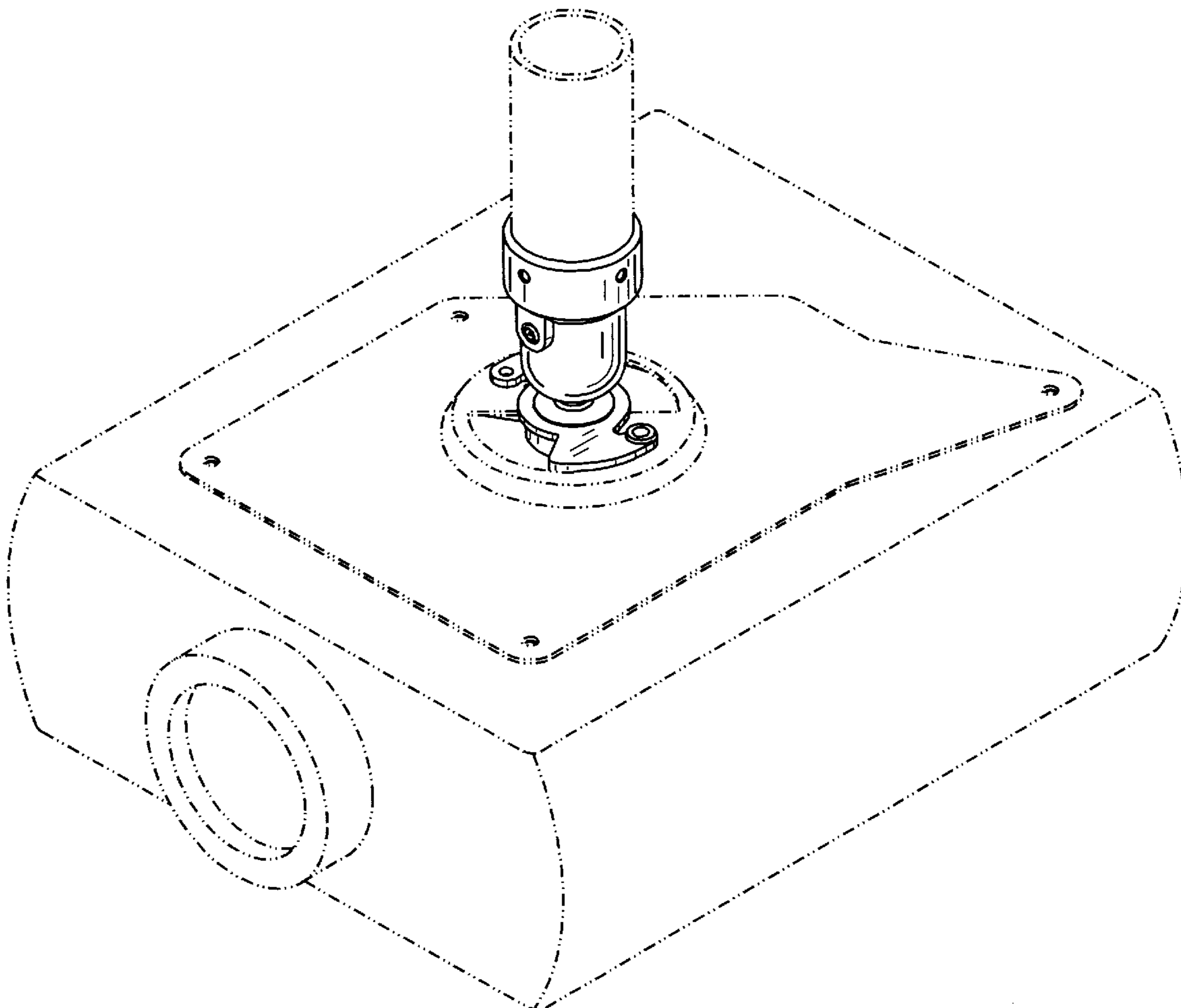
(56) **References Cited**

U.S. PATENT DOCUMENTS

5,551,658	A	*	9/1996	Dittmer	248/329
5,624,173	A	*	4/1997	Davidson	353/119
D395,909	S	*	7/1998	Moss et al.	D16/242
5,938,161	A	*	8/1999	Takeuchi et al.	248/343

The portions of the article in broken lines are shown for illustrative purposes only and form no part of the claimed design.

1 Claim, 5 Drawing Sheets



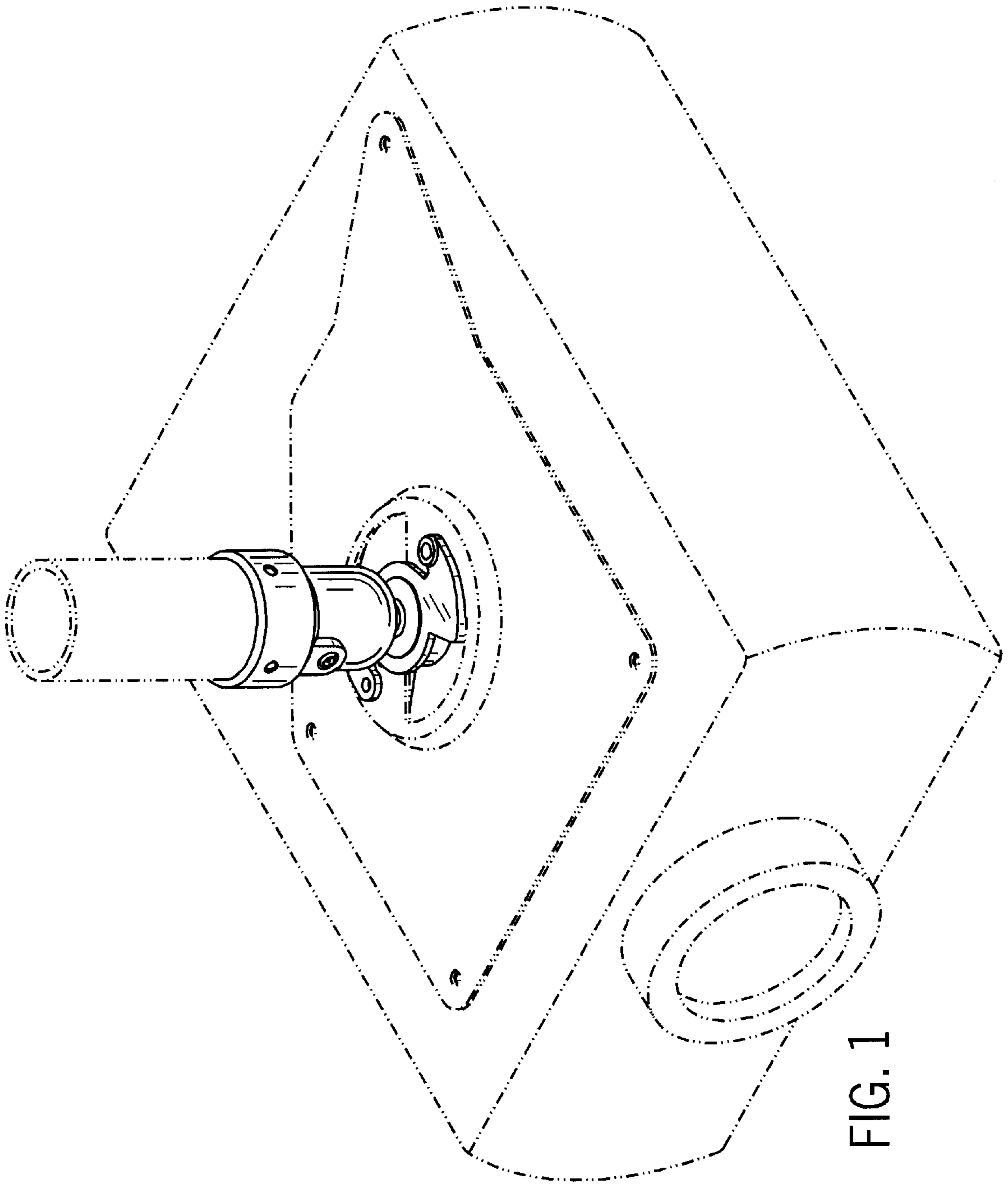
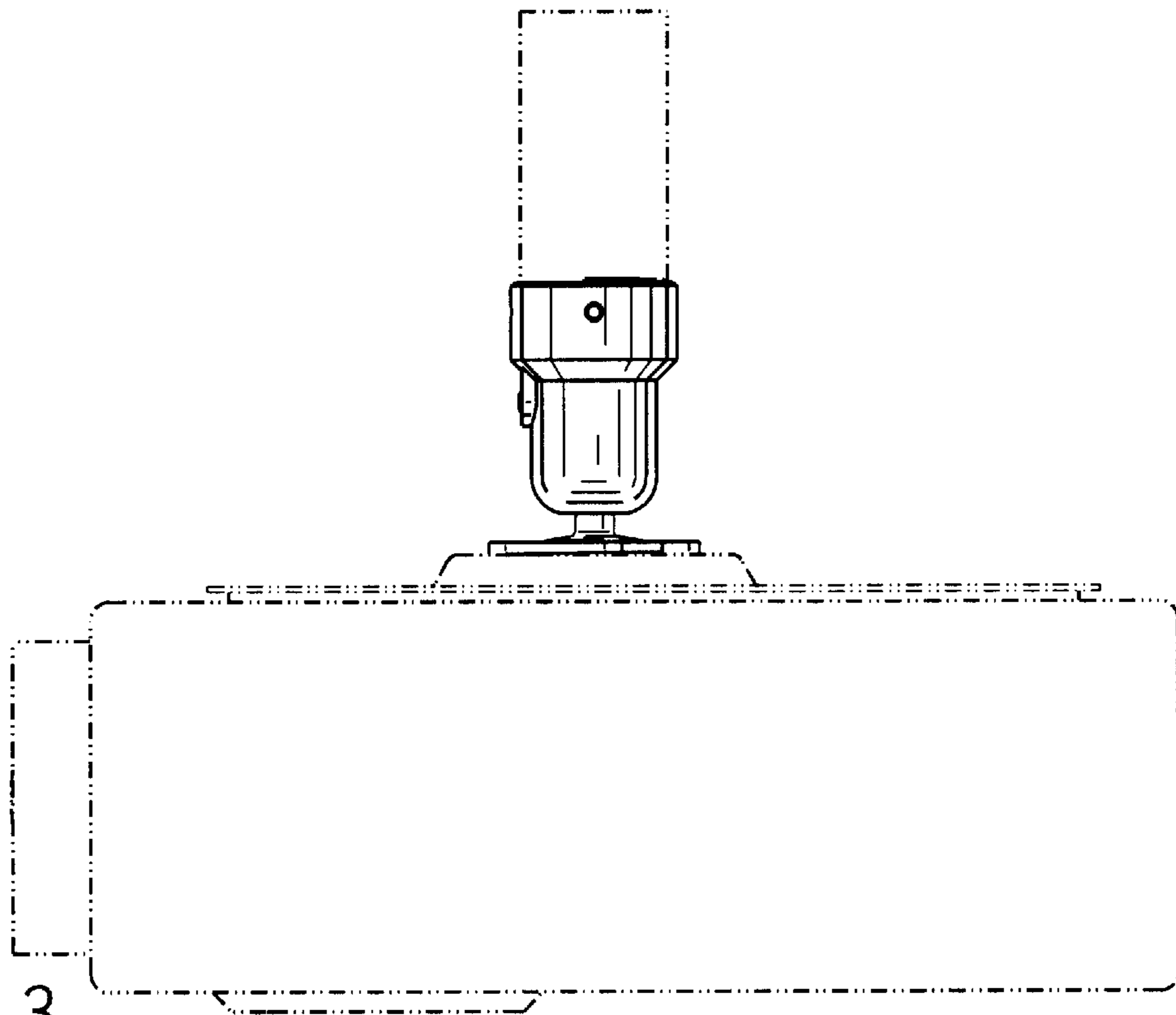
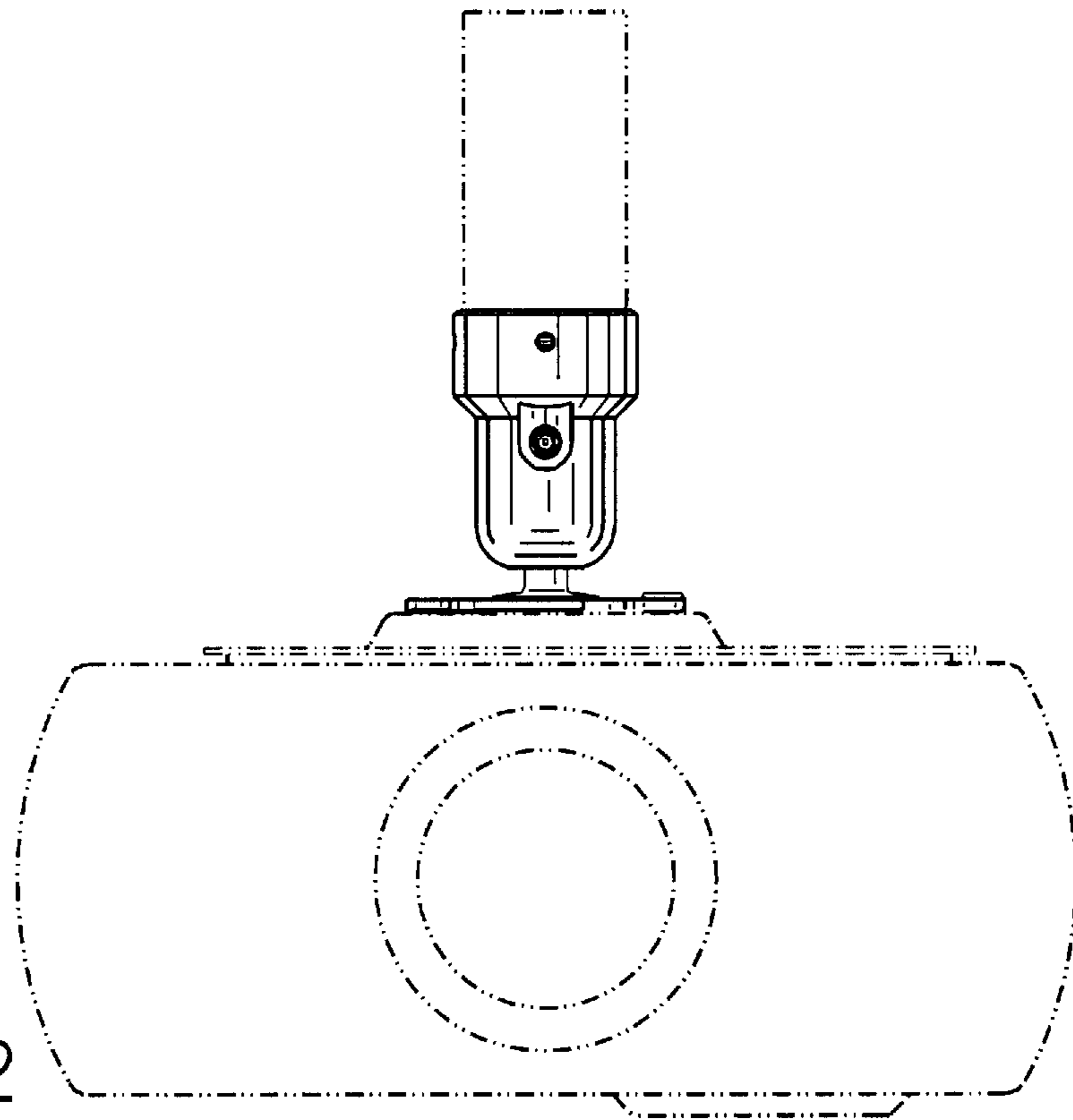


FIG. 1



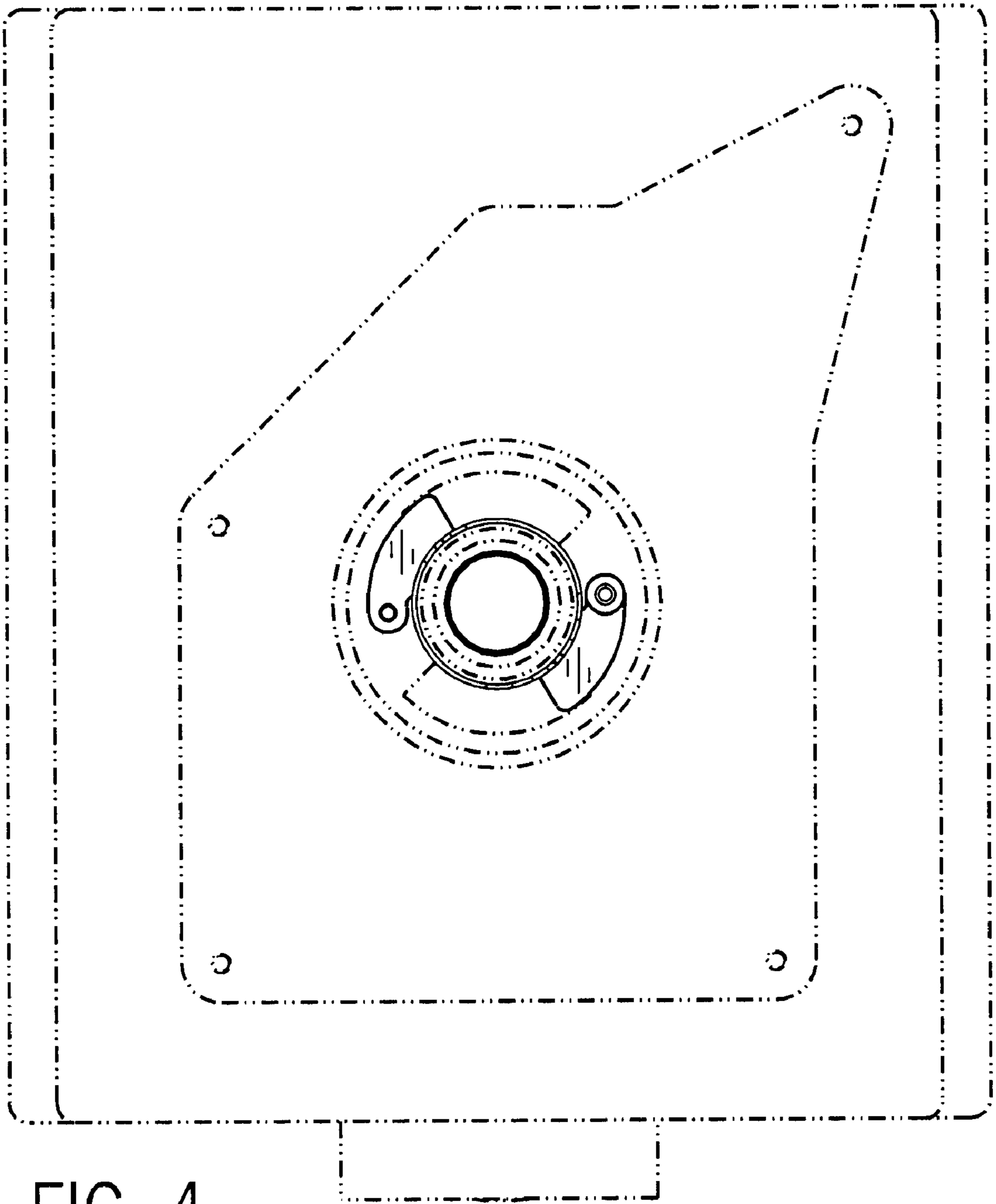


FIG. 4

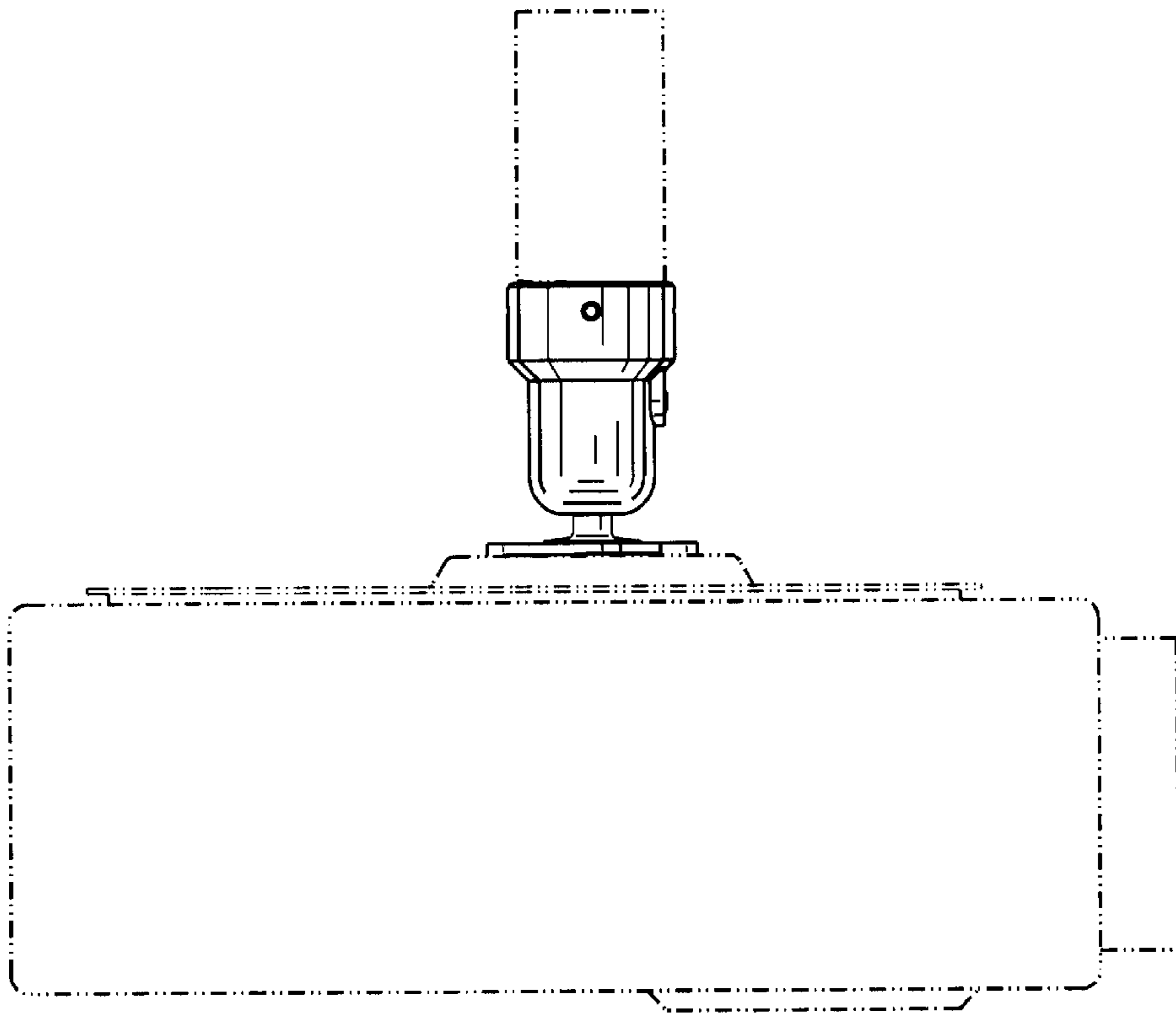


FIG. 5

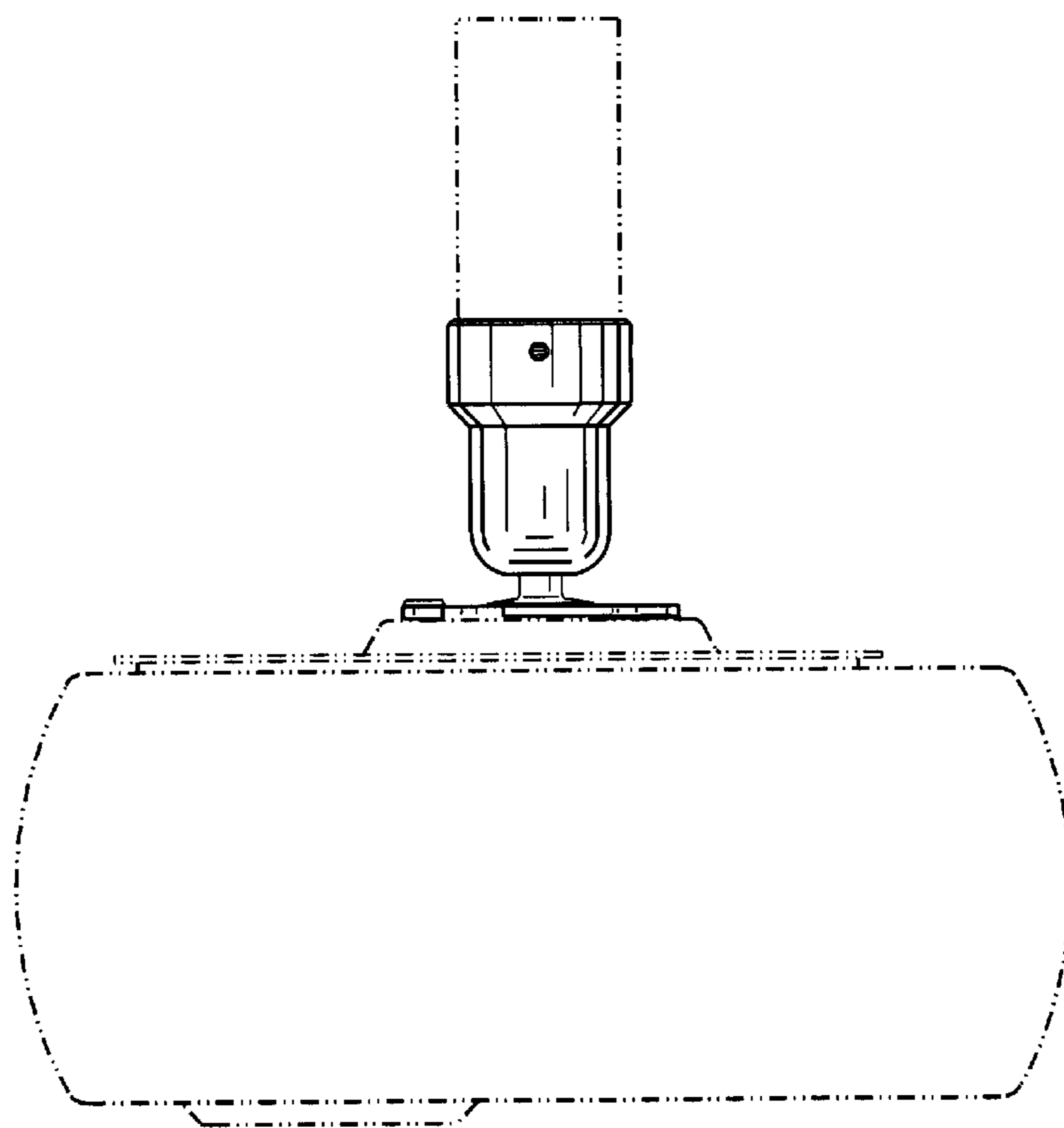


FIG. 6

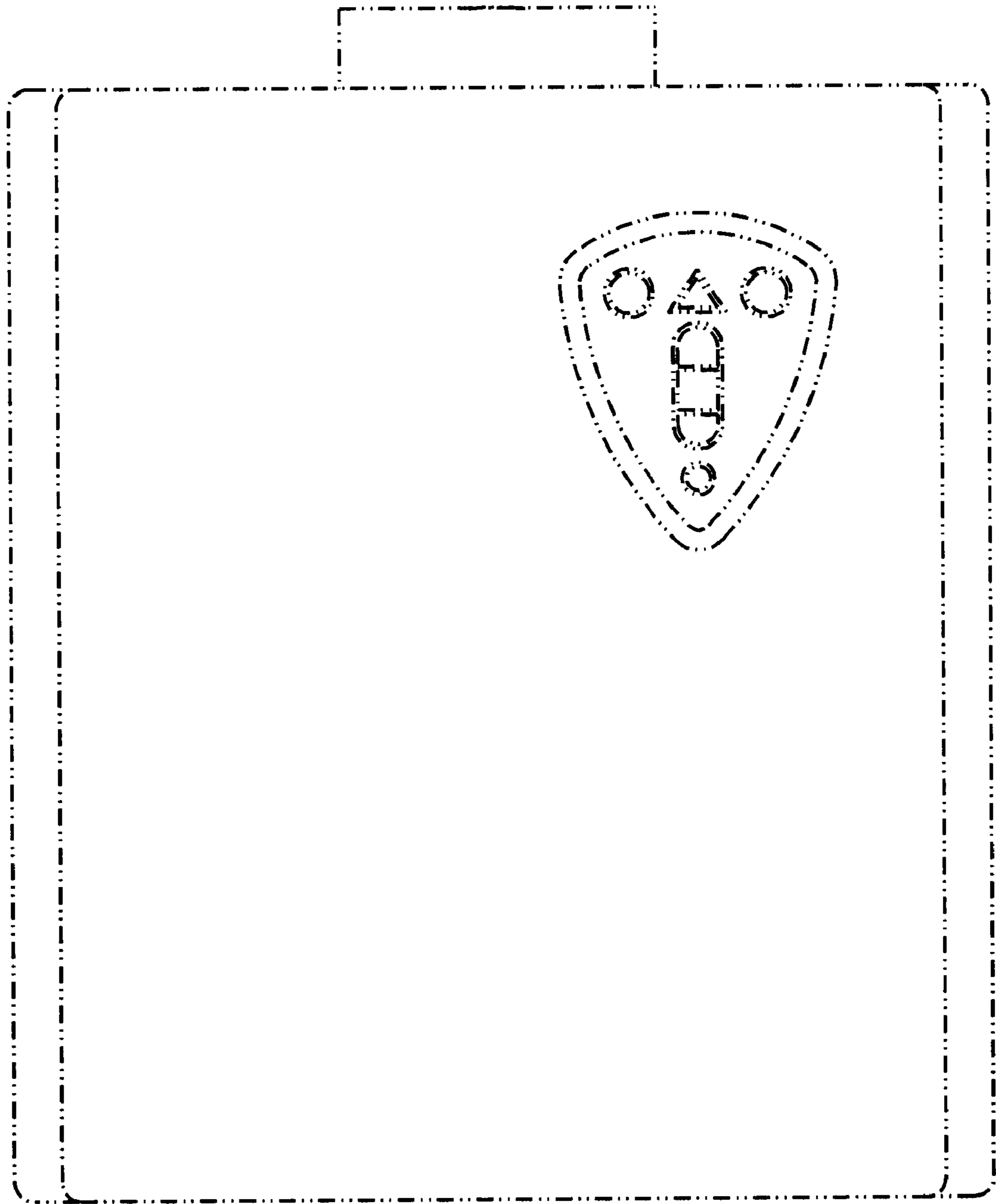


FIG. 7