



US00D480098S

(12) **United States Design Patent**  
**Bernoulli et al.**

(10) **Patent No.: US D480,098 S**

(45) **Date of Patent: \*\* Sep. 30, 2003**

(54) **CAMERA WITH FLIP-OPEN DISPLAY**

2001/0036845 A1 \* 11/2001 Park ..... 348/14.01

(75) Inventors: **Carlo Bernoulli**, San Francisco, CA (US); **Herbert Pfeifer**, San Francisco, CA (US); **Kutlu Aricanli**, Atherton, CA (US); **Howard Takeo Miyamura**, Newark, CA (US); **Susan Egnoto**, San Mateo, CA (US)

**FOREIGN PATENT DOCUMENTS**

JP 1095991 \* 1/2001

\* cited by examiner

*Primary Examiner*—Adir Aronovich  
(74) *Attorney, Agent, or Firm*—Townsend and Townsend and Crew LLP

(73) Assignee: **Logitech Europe S.A.** (CH)

(\*\*) Term: **14 Years**

(57) **CLAIM**

(21) Appl. No.: **29/161,554**

The ornamental design for a camera with flip-open display, as shown and described.

(22) Filed: **May 31, 2002**

**DESCRIPTION**

(51) **LOC (7) Cl.** ..... **16-01**

(52) **U.S. Cl.** ..... **D16/202**

(58) **Field of Search** ..... D16/200–206,  
D16/208, 218; 348/373–376; 352/242, 243;  
396/535–541

FIG. 1 is a perspective view of a camera with flip-open display showing our new design;  
FIG. 2 is a right side elevational view thereof;  
FIG. 3 is a front elevational view thereof;  
FIG. 4 is a top plan view thereof;  
FIG. 5 is a left side elevational view thereof;  
FIG. 6 is a rear elevational view thereof; and,  
FIG. 7 is a perspective view thereof showing the display in a flipped open position.

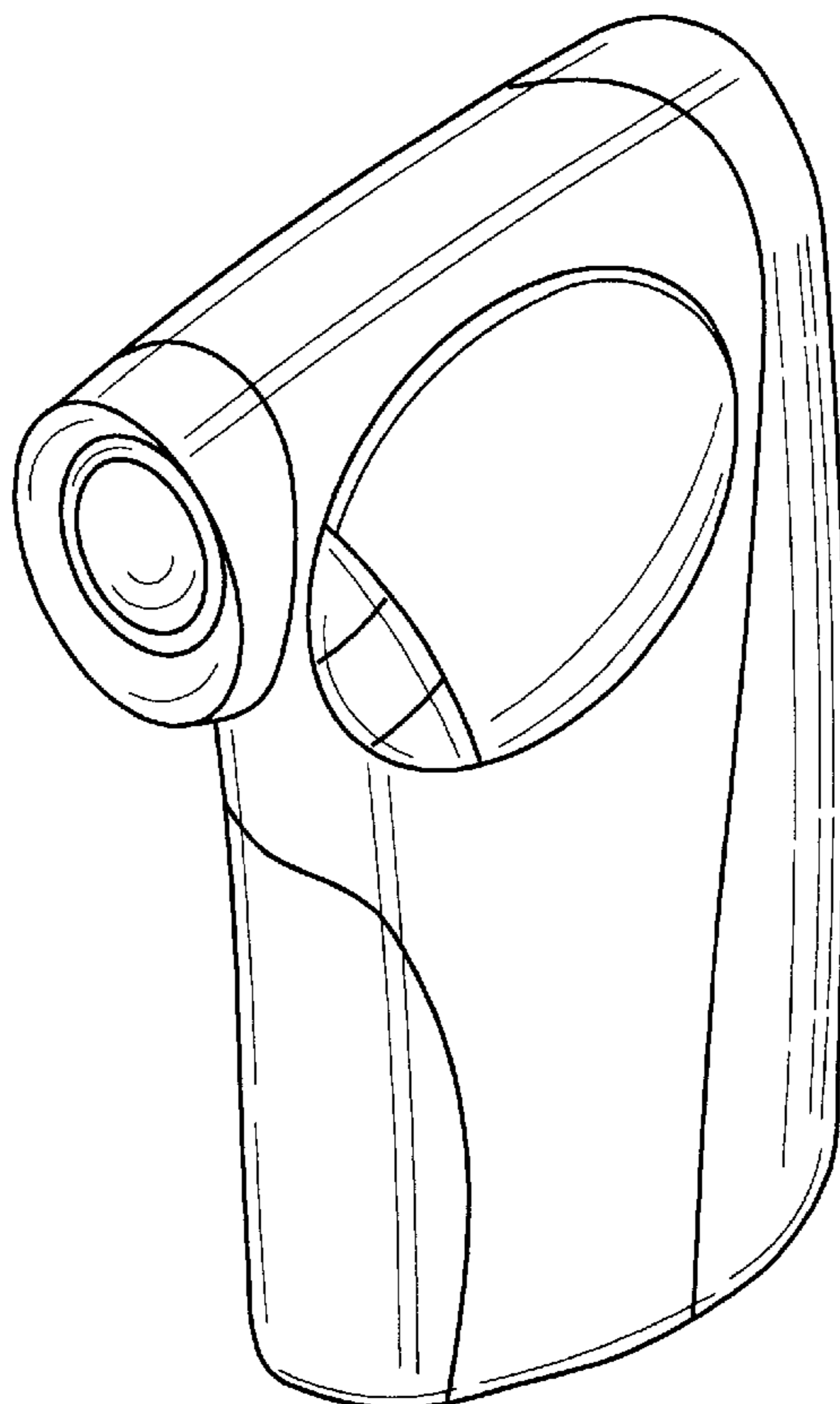
(56) **References Cited**

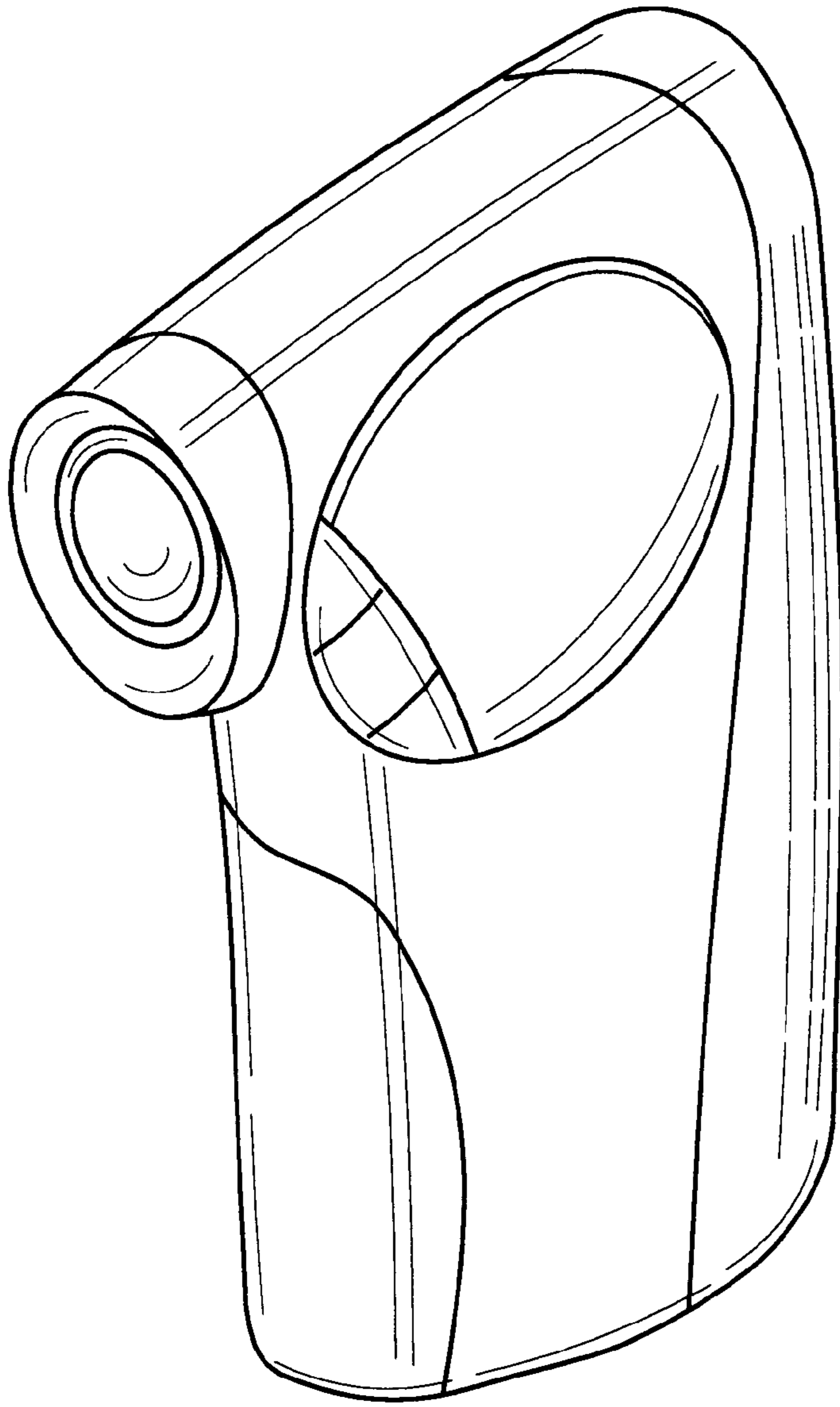
**U.S. PATENT DOCUMENTS**

- D394,075 S \* 5/1998 Ninomiya et al. .... D16/202
- D396,051 S \* 7/1998 Mori ..... D16/202
- D407,097 S \* 3/1999 Suzuki et al. .... D16/202
- D431,582 S \* 10/2000 Sumita et al. .... D16/202
- D446,800 S \* 8/2001 Fukushima et al. .... D16/202

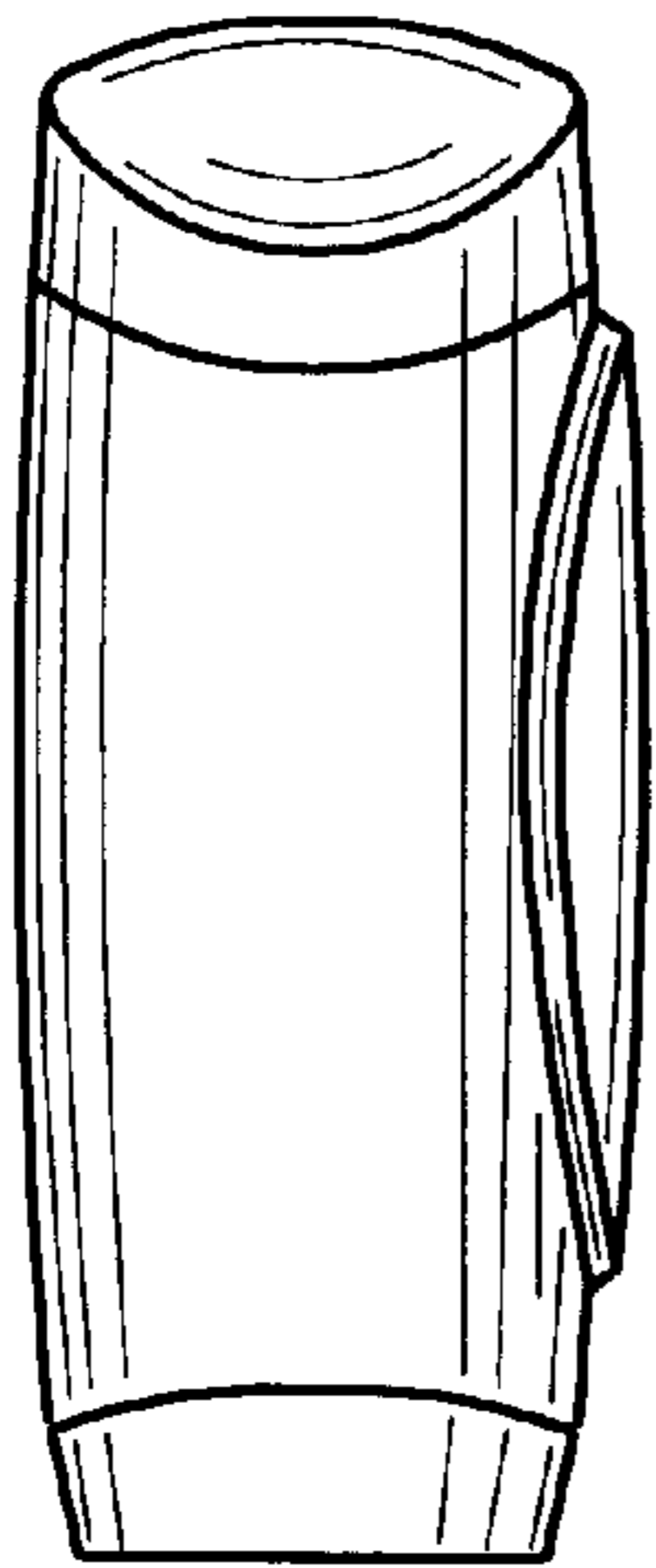
The broken lines shown in FIGS. 5 and 6 are for illustrative purposes only and form no part of the claimed design.

**1 Claim, 3 Drawing Sheets**

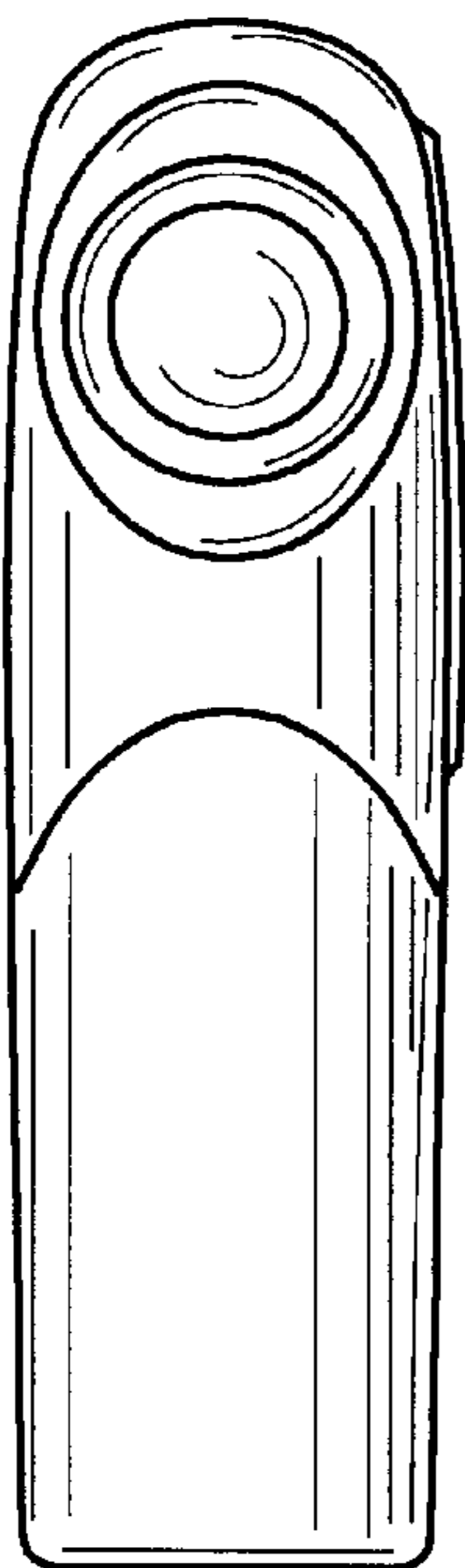




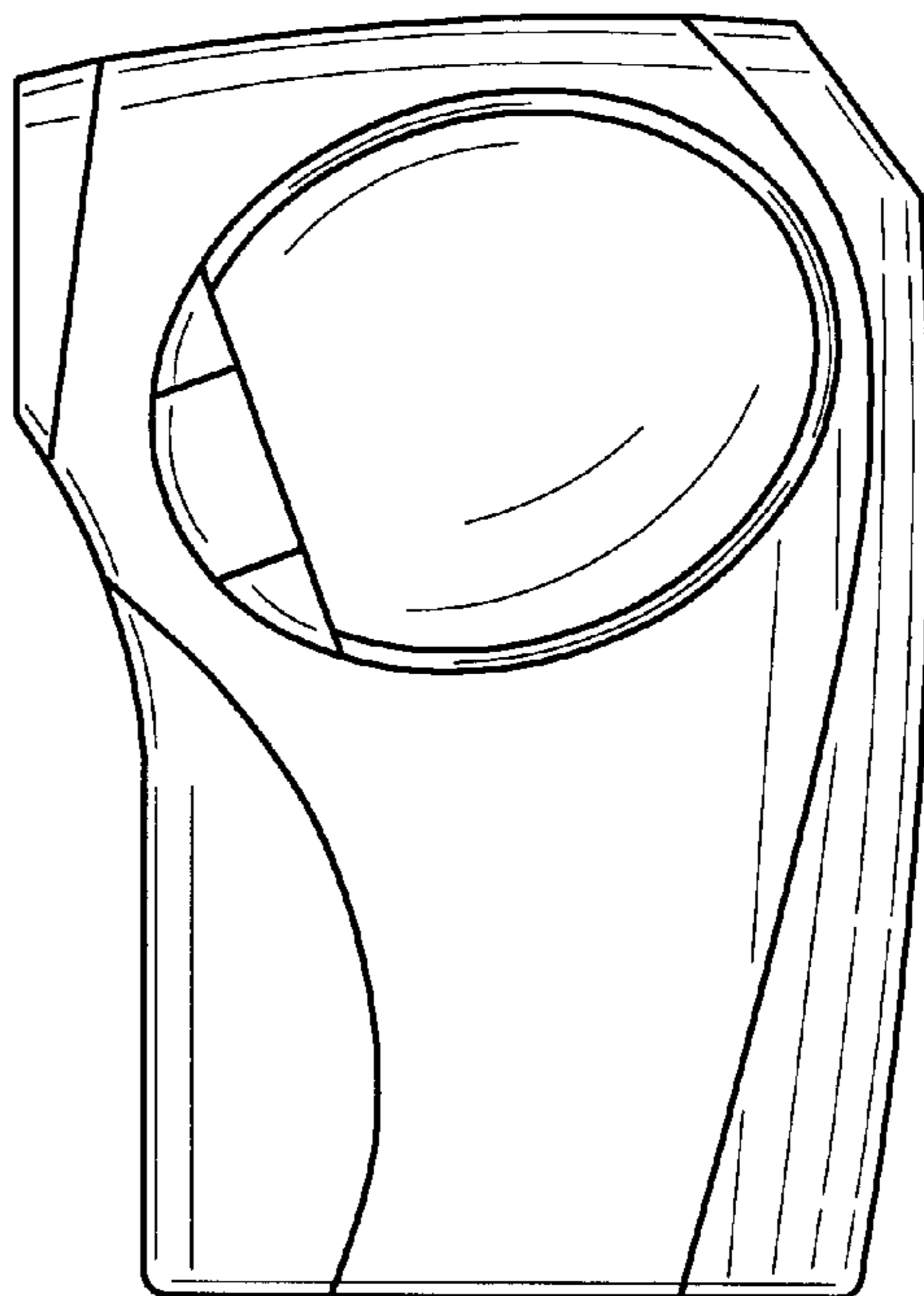
*FIG. 1*



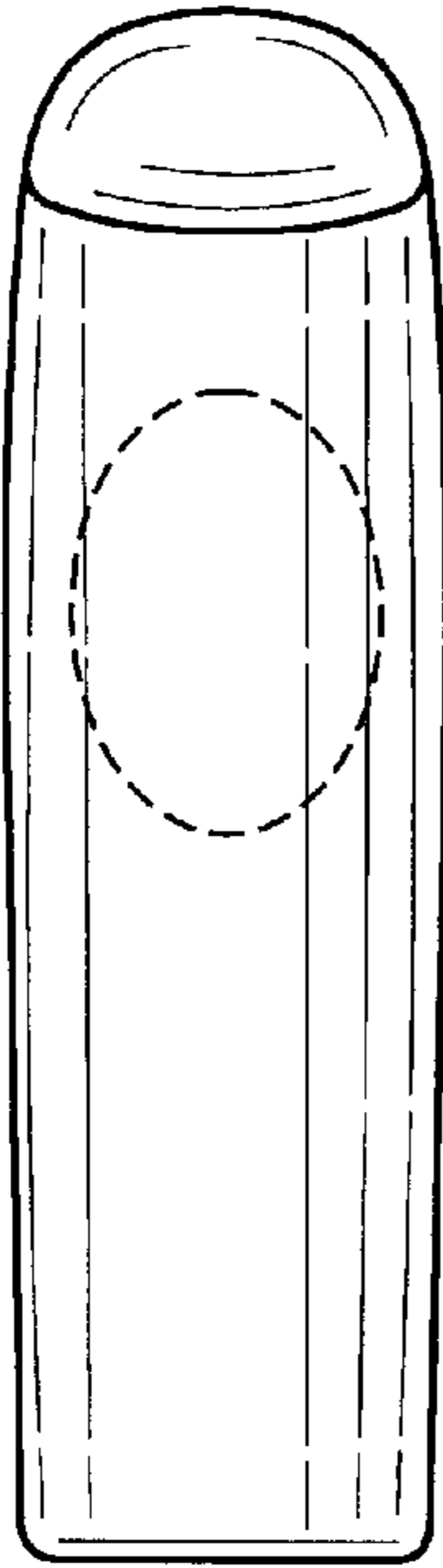
*FIG. 4*



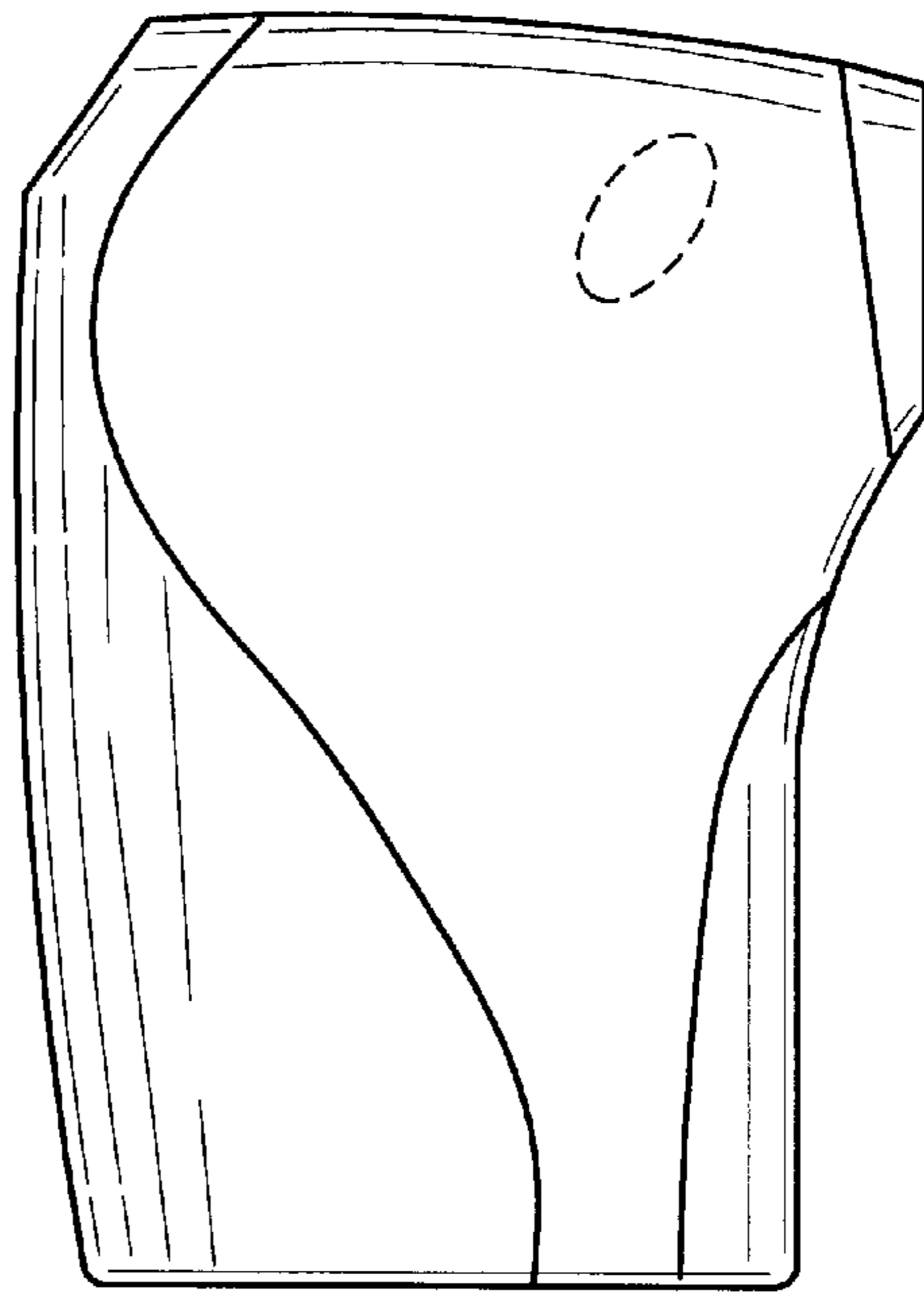
*FIG. 3*



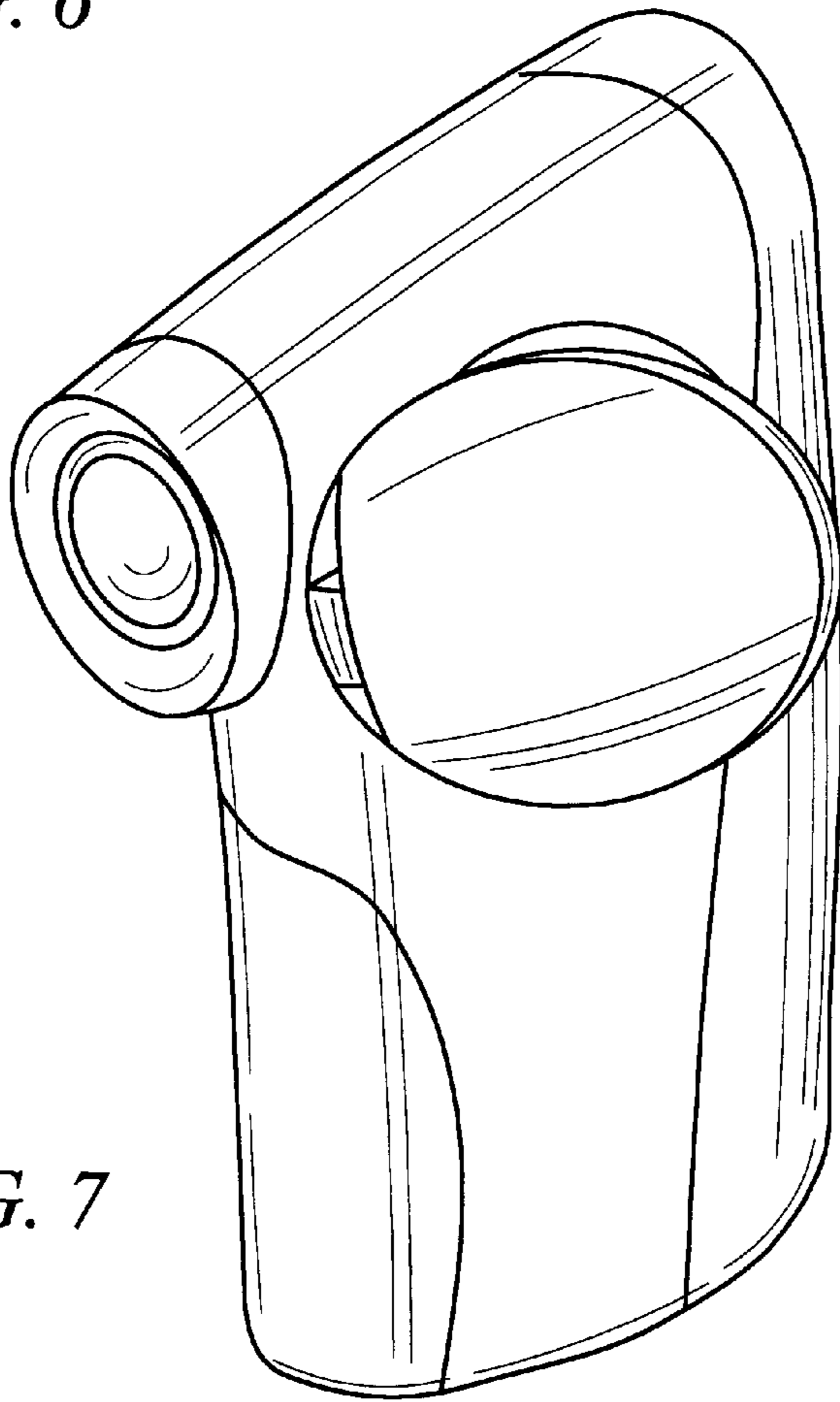
*FIG. 2*



*FIG. 6*



*FIG. 5*



*FIG. 7*