



US00D480096S

(12) **United States Design Patent**  
**Hovian**

(10) **Patent No.:** **US D480,096 S**

(45) **Date of Patent:** **\*\* Sep. 30, 2003**

(54) **SIEVE**

5,622,266 A \* 4/1997 Curtis ..... 209/420 X

(76) **Inventor:** **Henry Hovian**, 5250 Santa Monica  
Blvd., Suite 300, Los Angeles, CA (US)  
90029

\* cited by examiner

*Primary Examiner*—Antoine Duval Davis

(\*\*) **Term:** **14 Years**

(21) **Appl. No.:** **29/166,035**

(57) **CLAIM**

The ornamental design for a sieve, as shown.

(22) **Filed:** **Aug. 22, 2002**

(51) **LOC (7) Cl.** ..... **15-09**

**DESCRIPTION**

(52) **U.S. Cl.** ..... **D15/147**

FIG. 1A-C is a top front perspective view of the sieve.

(58) **Field of Search** ..... D7/667; D8/1;  
D15/147; 210/464, 348, 470-473, 498,  
499, 542; 209/233, 370, 391, 410, 418,  
420

FIG. 2A-C is a top view thereof.

FIG. 3A-C is a side view thereof; and,

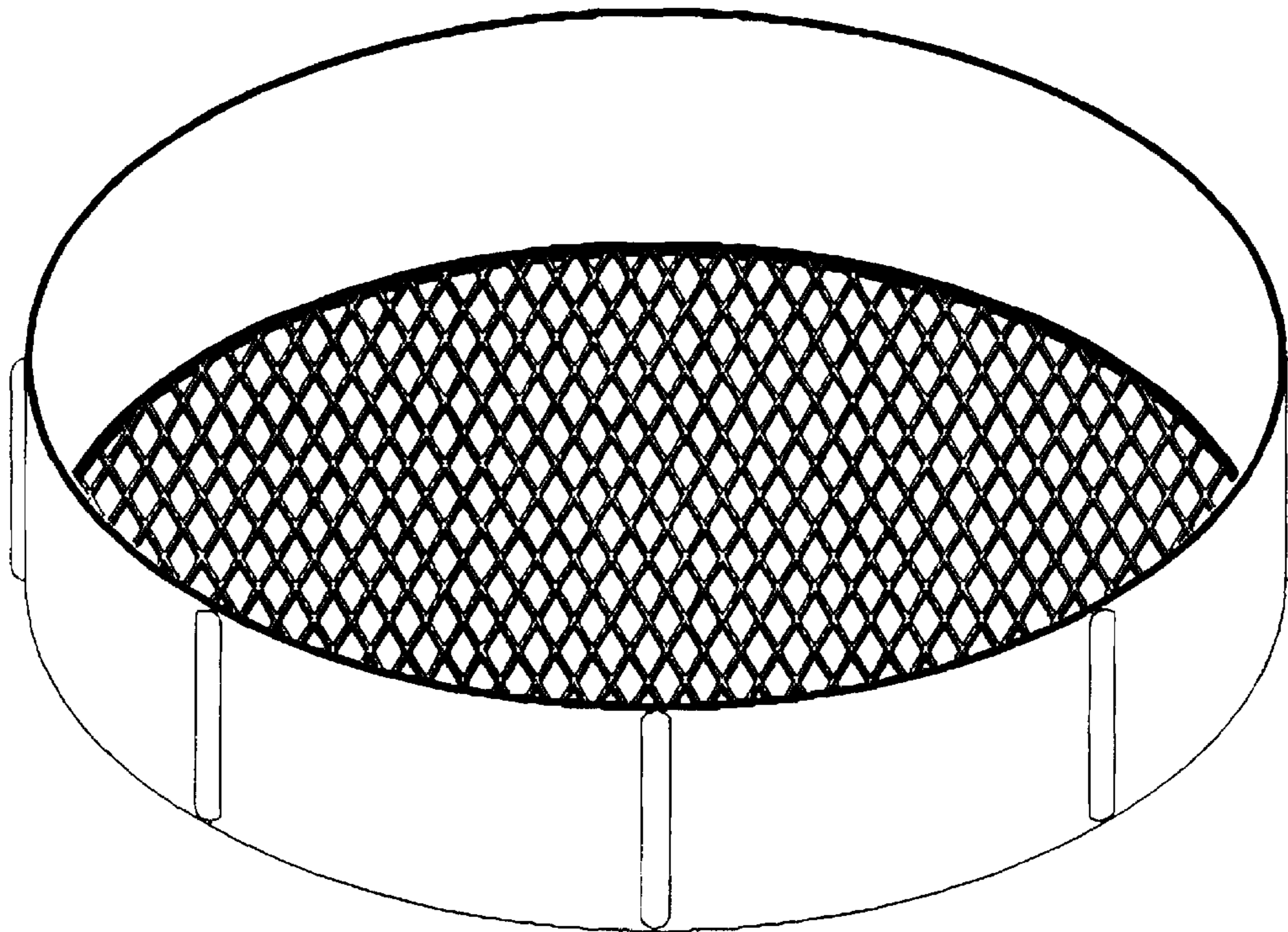
FIG. 4A-C is a bottom view thereof.

(56) **References Cited**

**U.S. PATENT DOCUMENTS**

3,316,545 A \* 4/1967 Reed ..... 209/420

**1 Claim, 12 Drawing Sheets**



**TOP FRONT  
PERSPECTIVE VIEW**

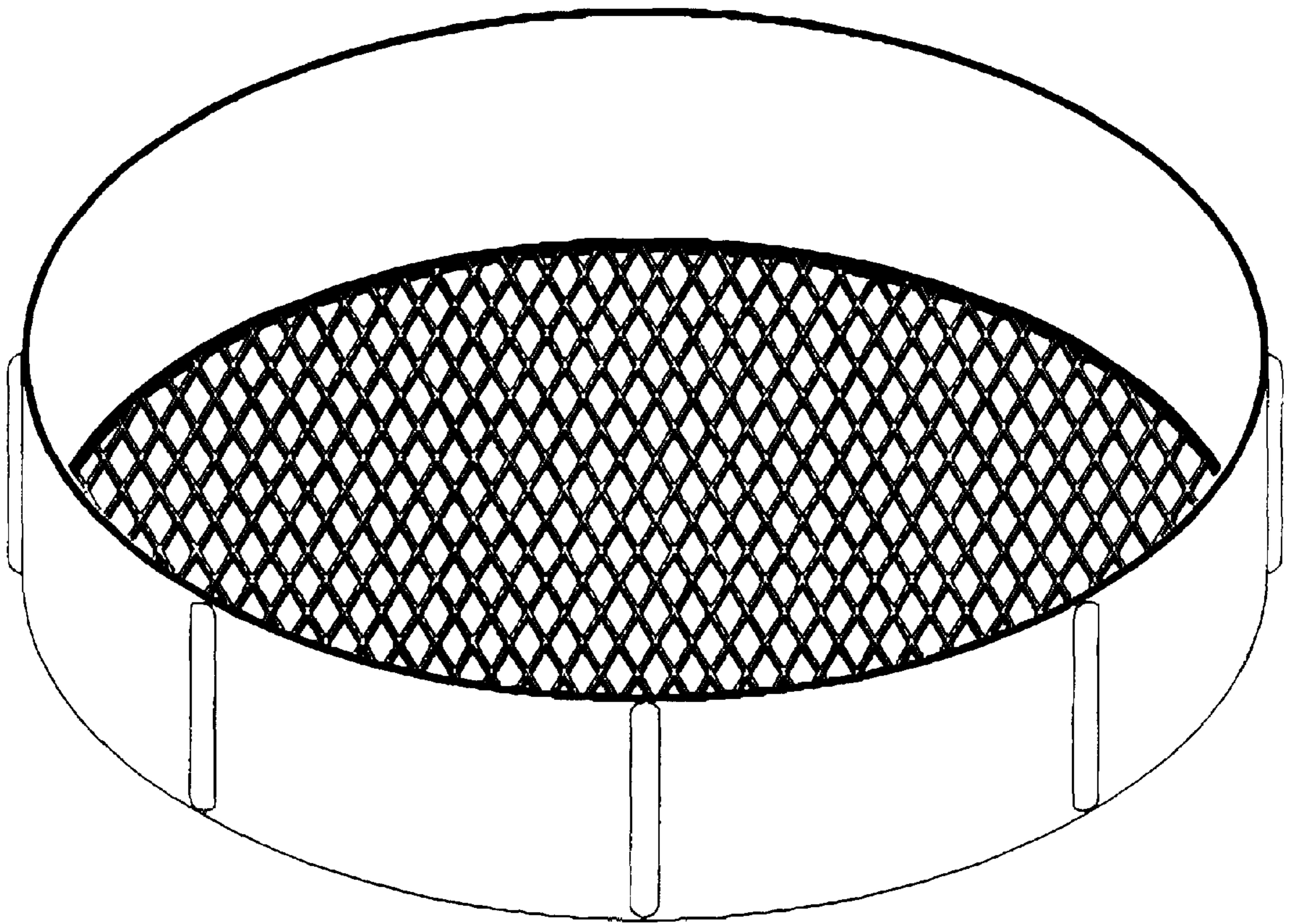


FIG. 1  
TOP FRONT  
PERSPECTIVE VIEW

(A)

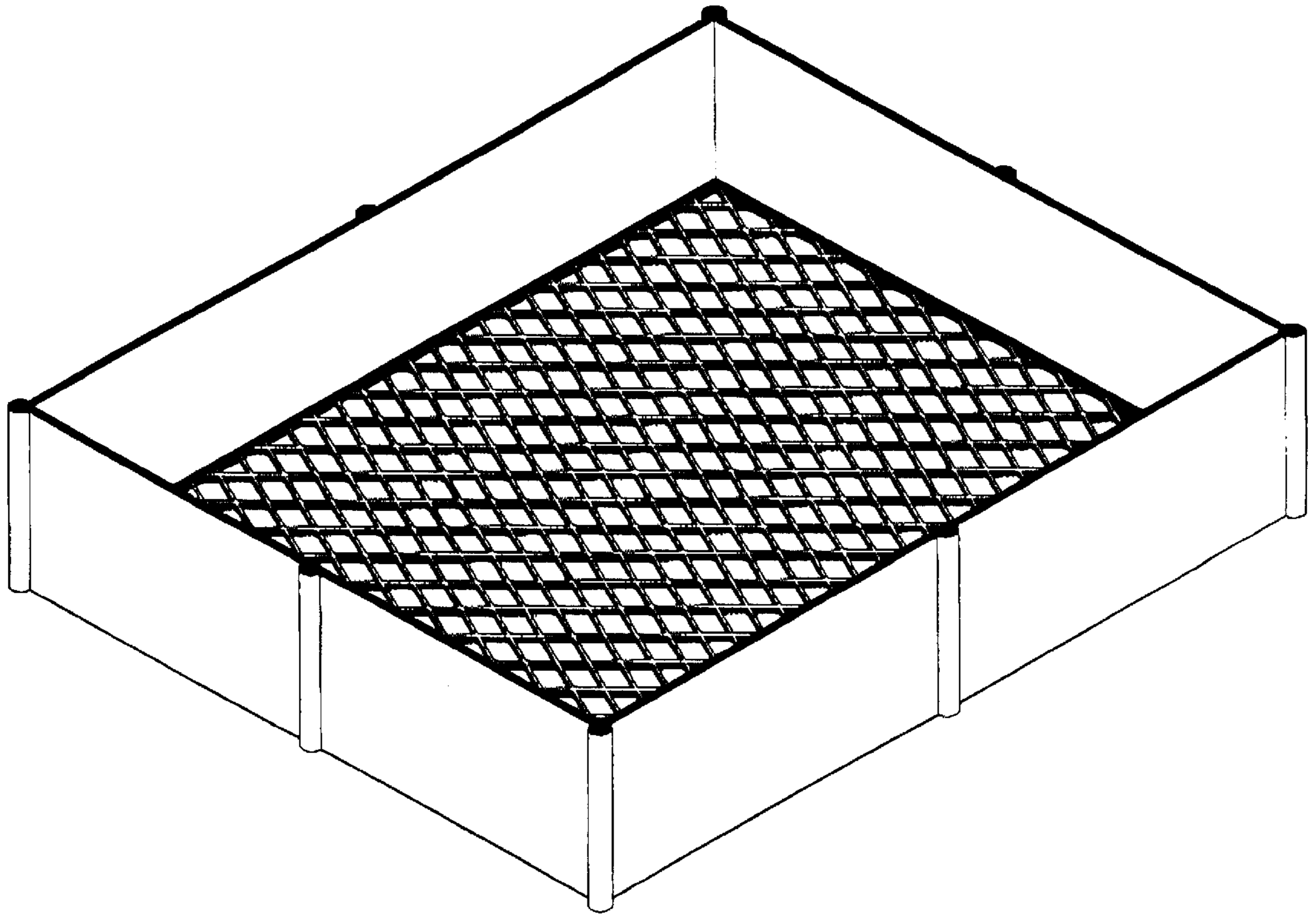


FIG. 1  
TOP FRONT  
PERSPECTIVE VIEW

(B)

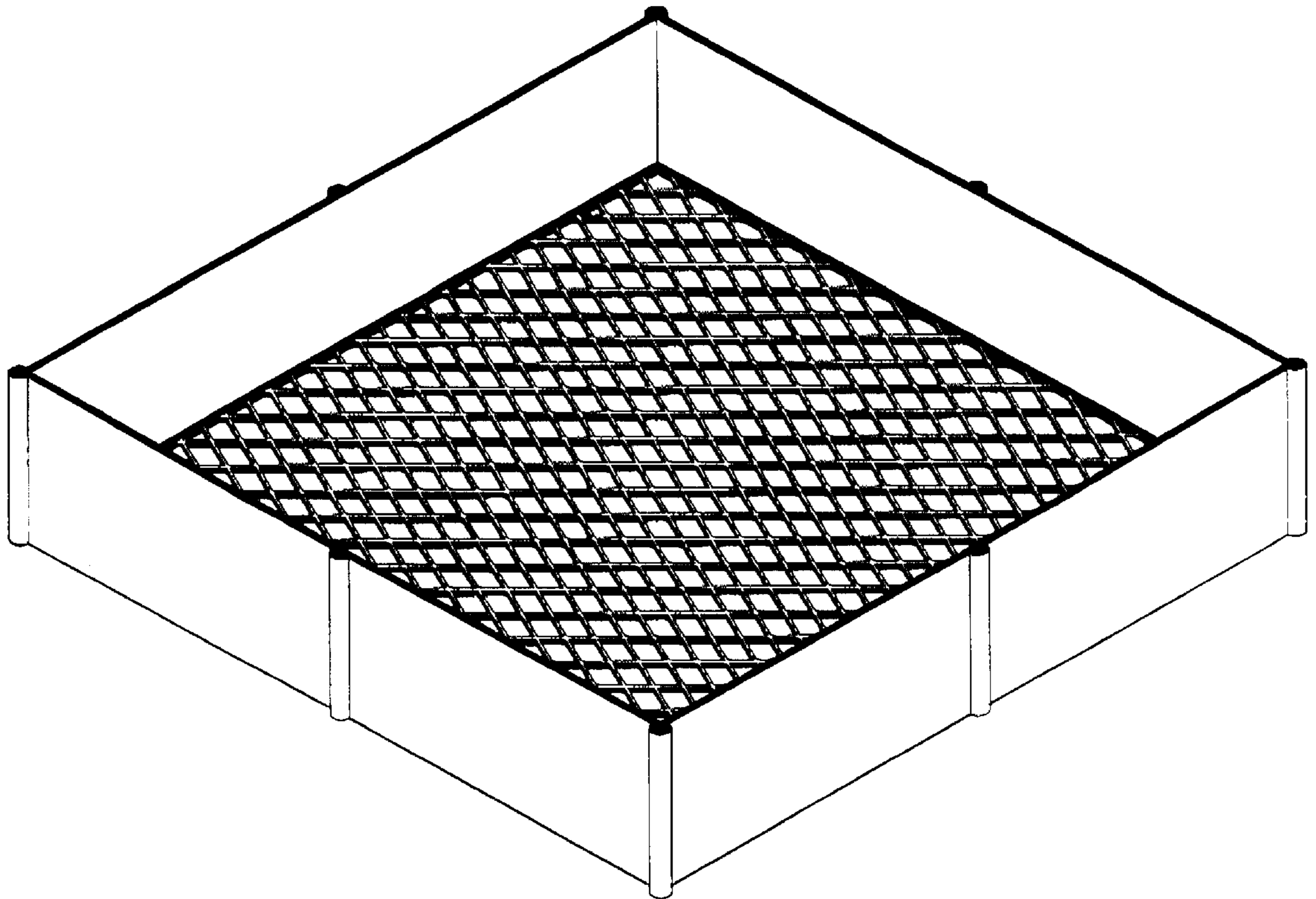


FIG. 1  
TOP FRONT  
PERSPECTIVE VIEW

(C)

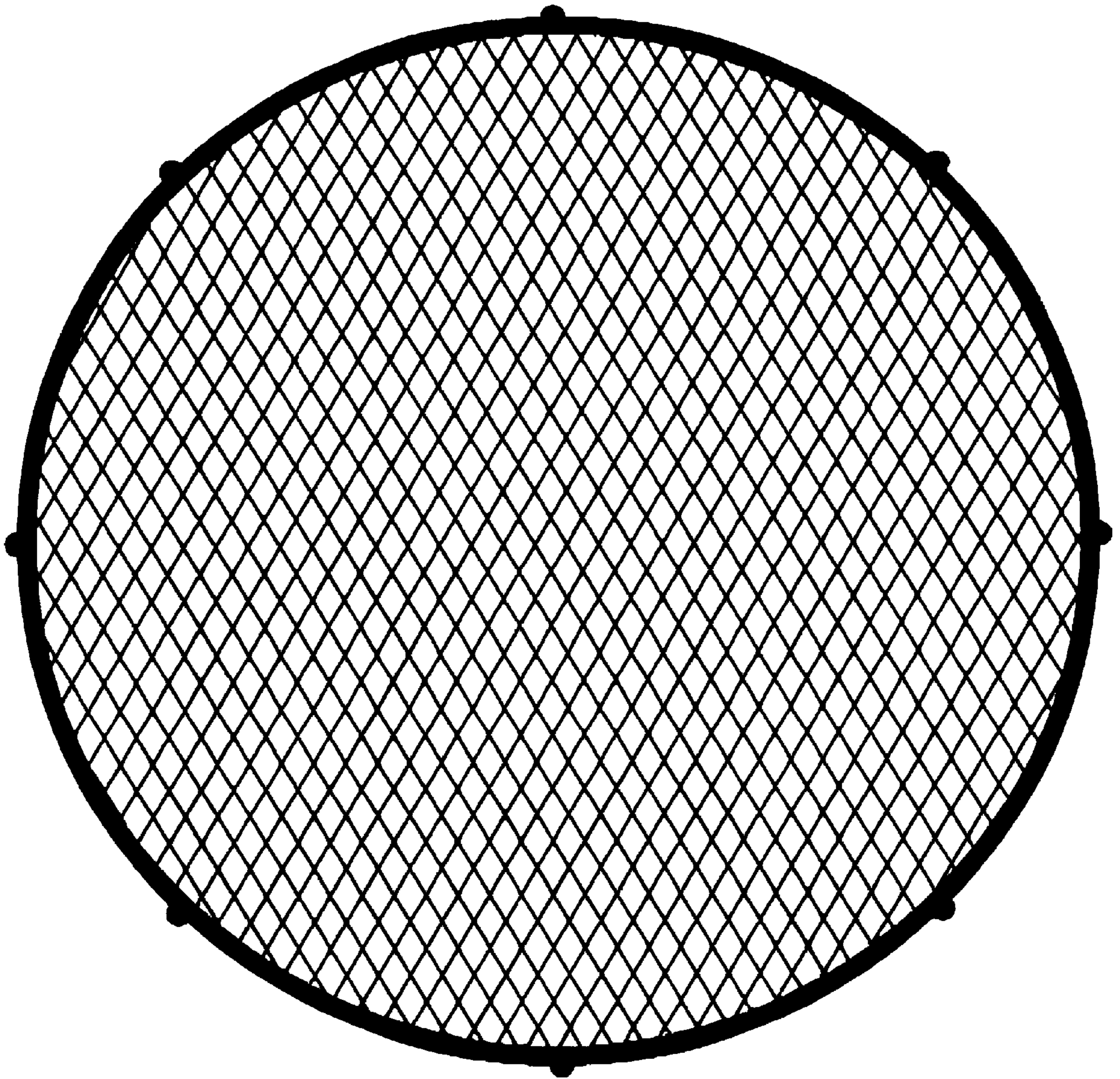


FIG. 2  
TOP VIEW  
(A)

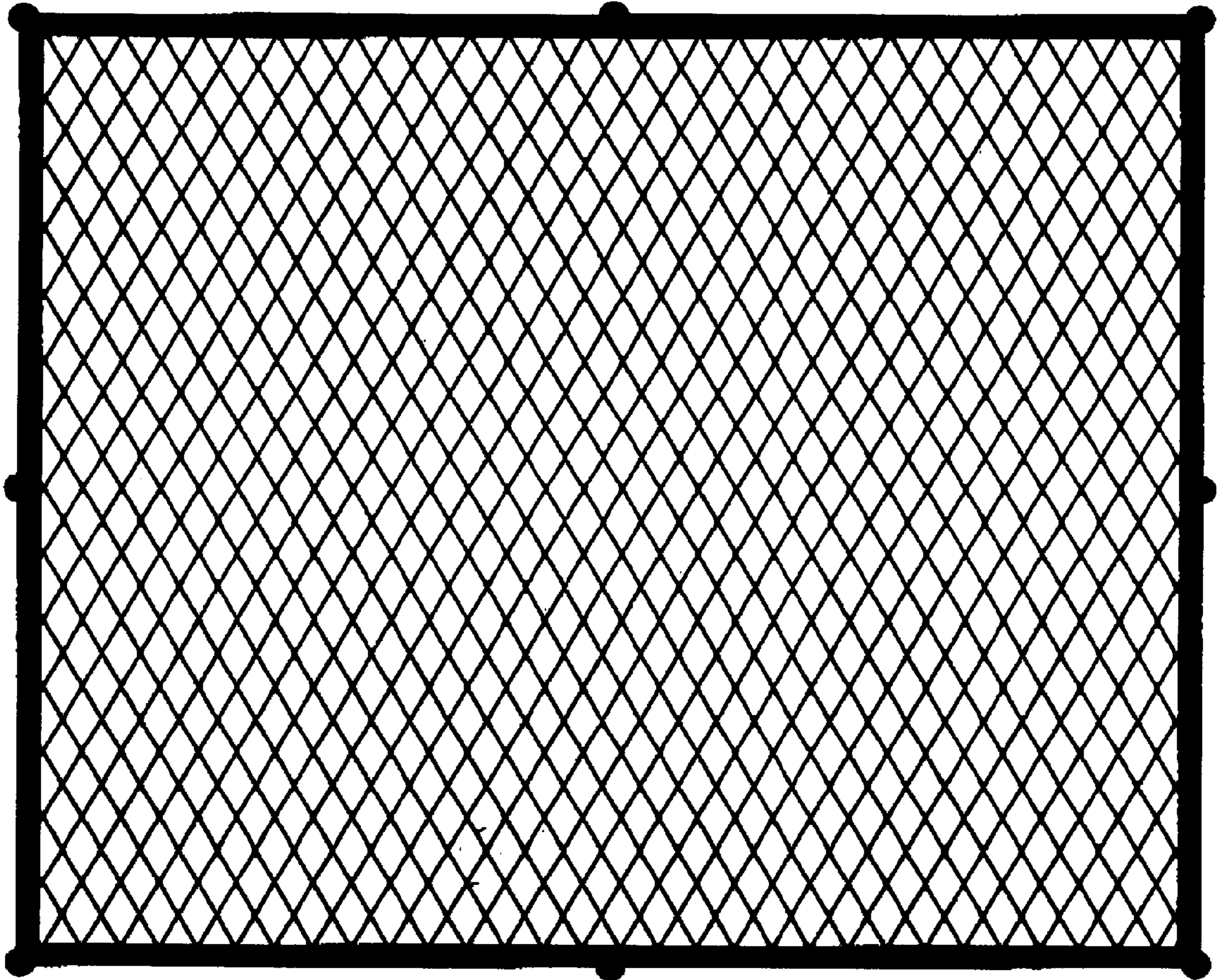


FIG. 2  
TOP VIEW

(B)

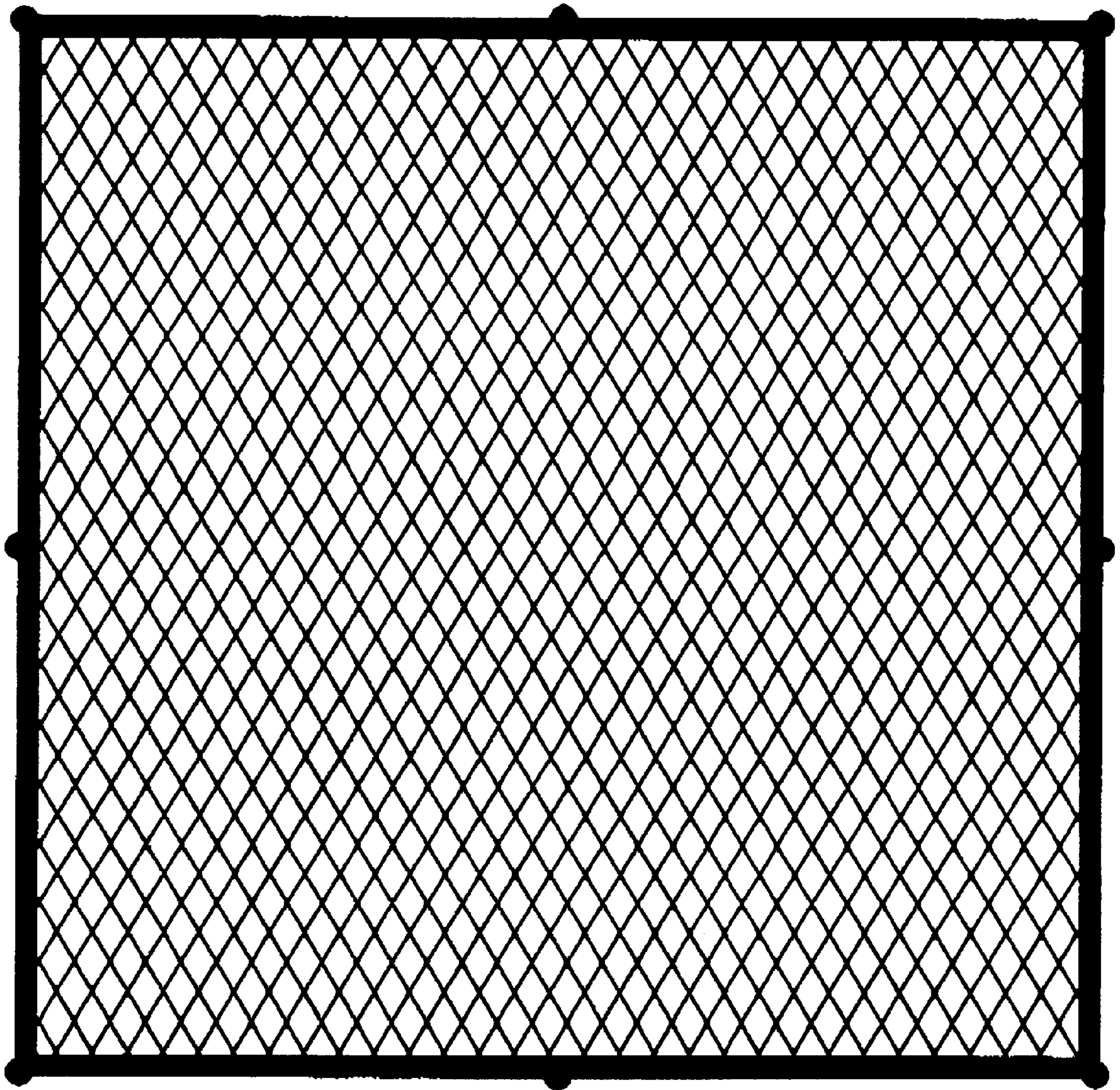


FIG. 2  
TOP VIEW

(C)

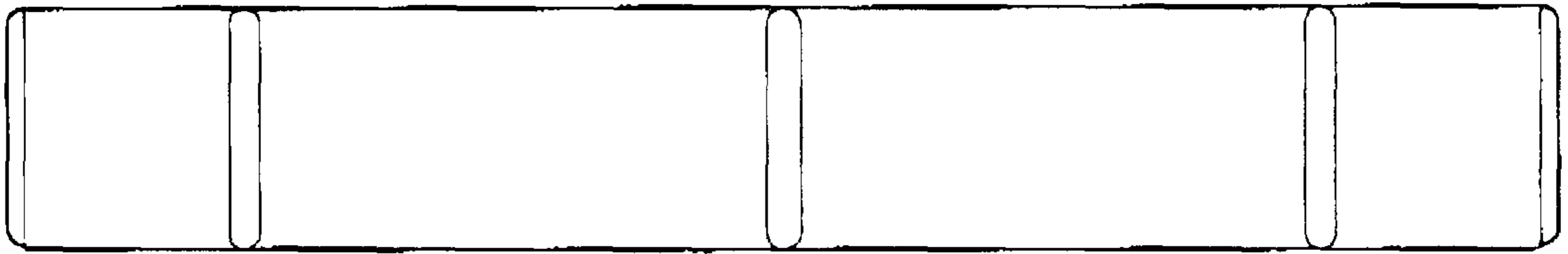


FIG. 3  
SIDE VIEW  
ROUND  
(A)



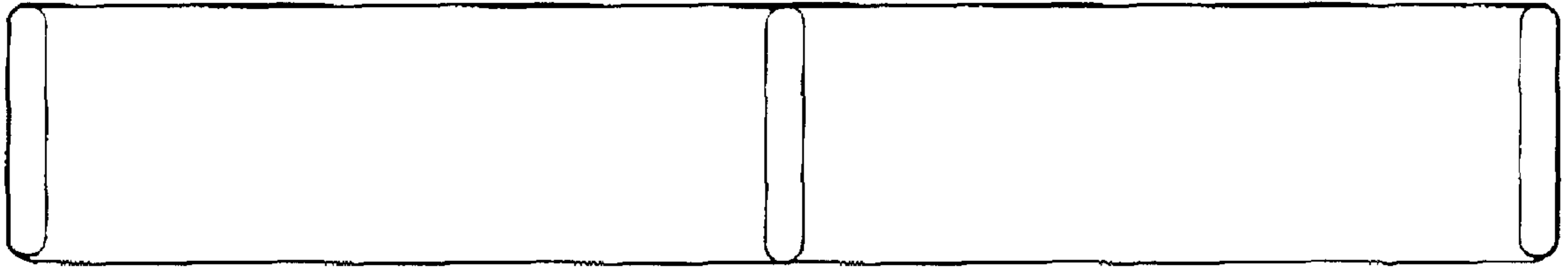


FIG. 3 (a)  
SIDE VIEW  
(B)

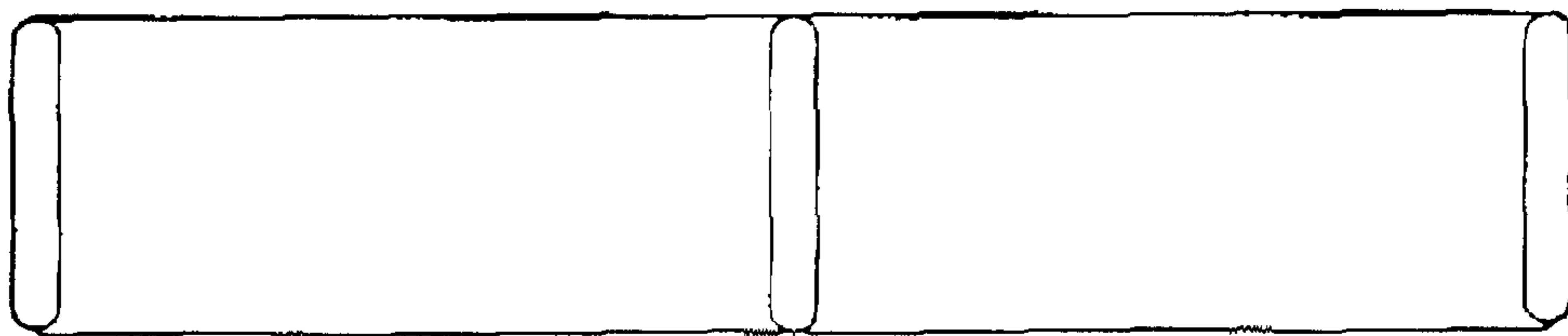


FIG. 3 (b)  
SIDE VIEW  
(B)

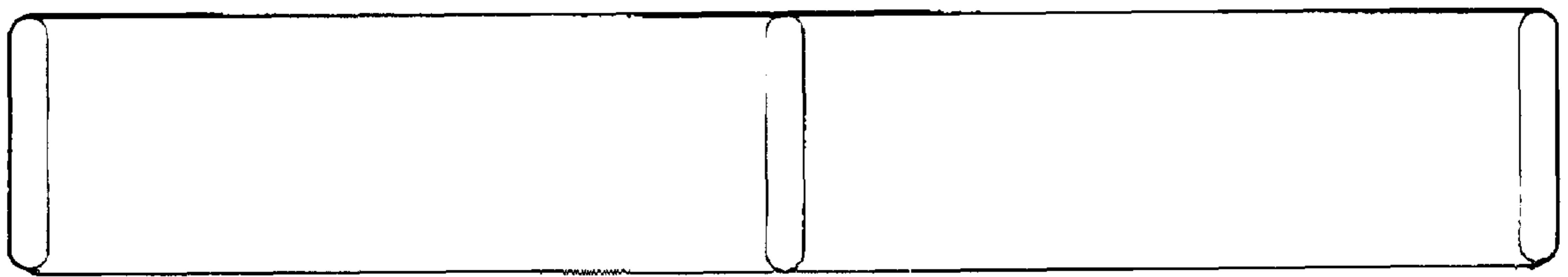


FIG. 3  
SIDE VIEW  
SQUARE

(C)

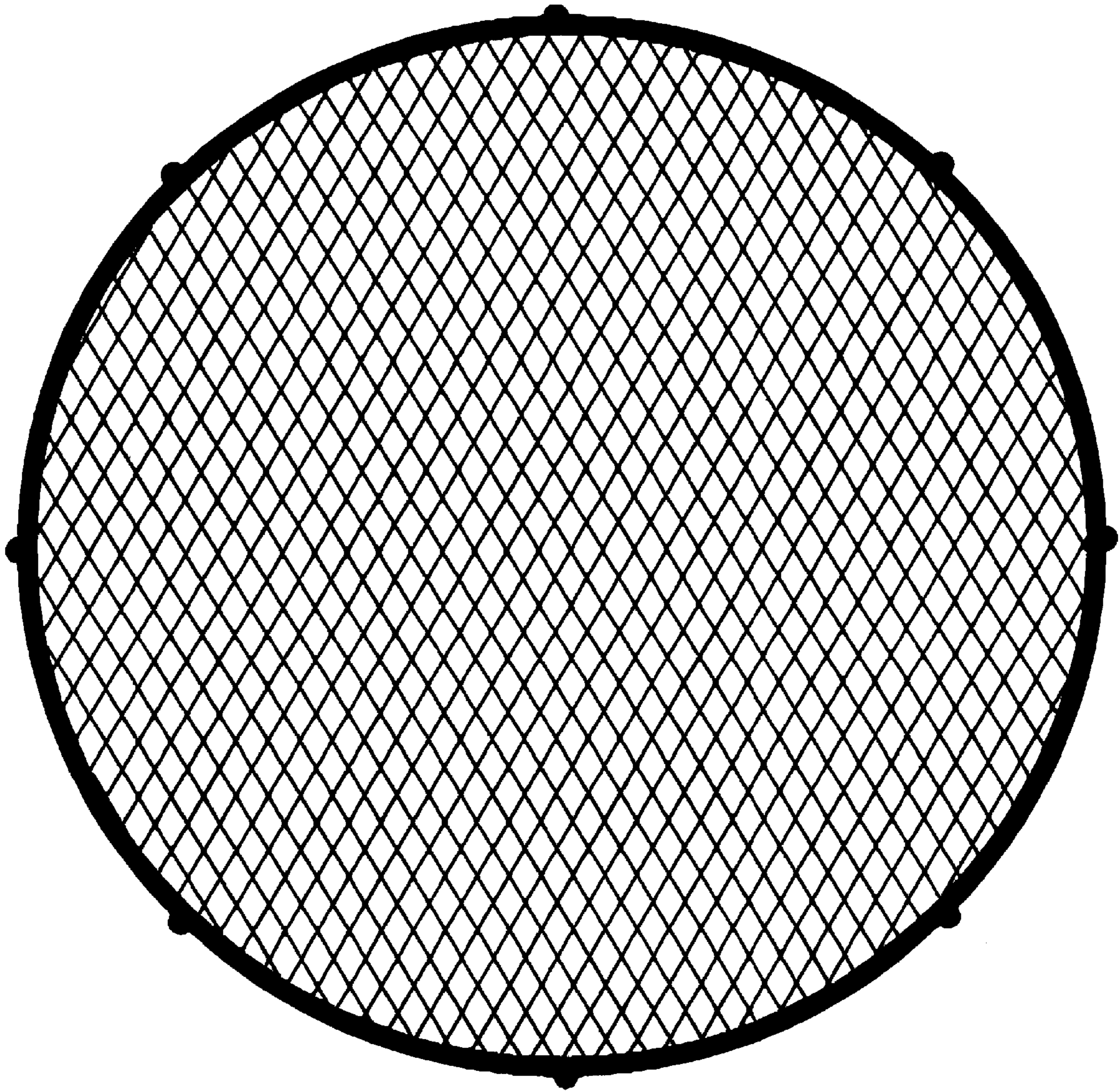


FIG. 4  
BOTTOM VIEW

(A)

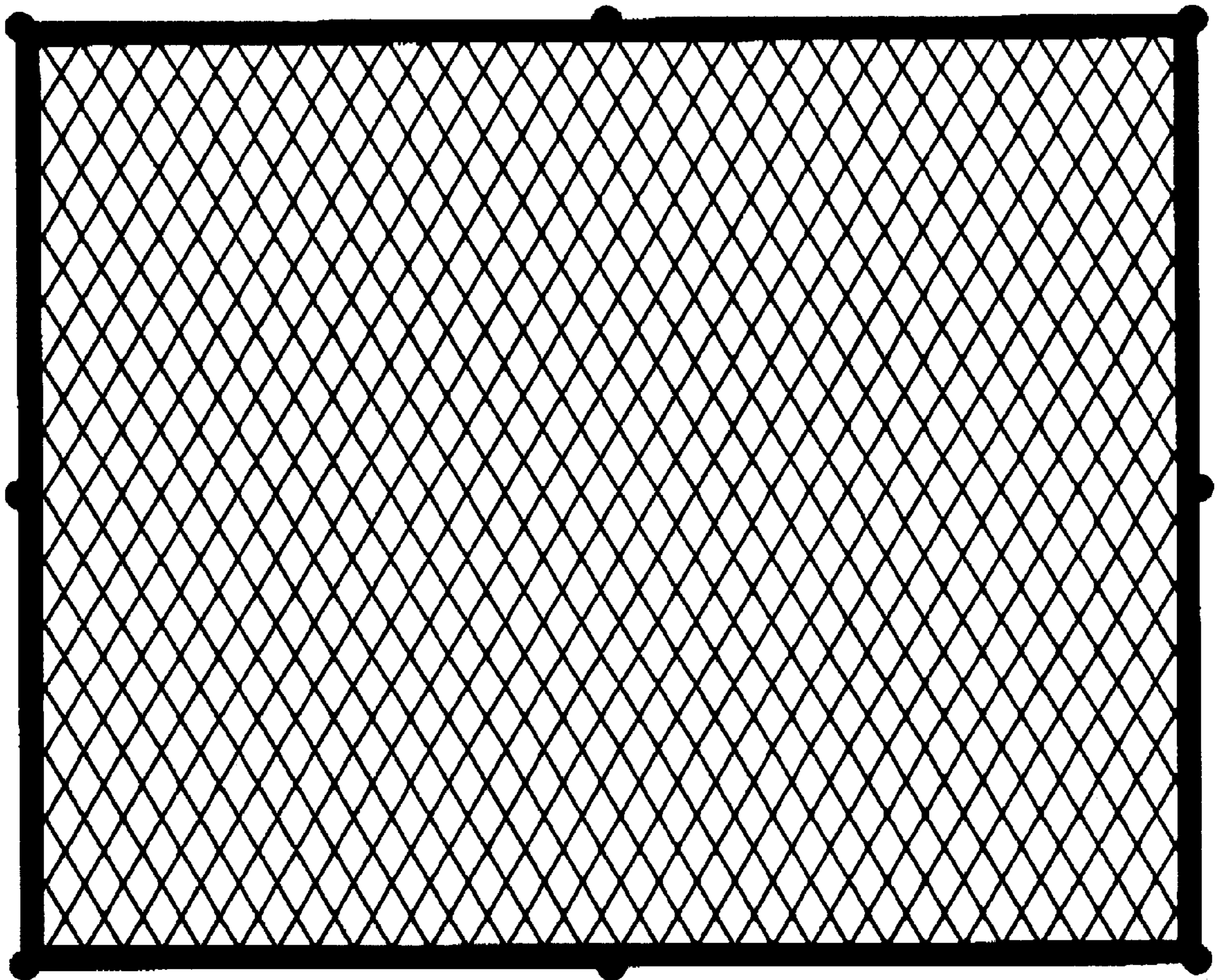


FIG. 4  
BOTTOM VIEW

(B)

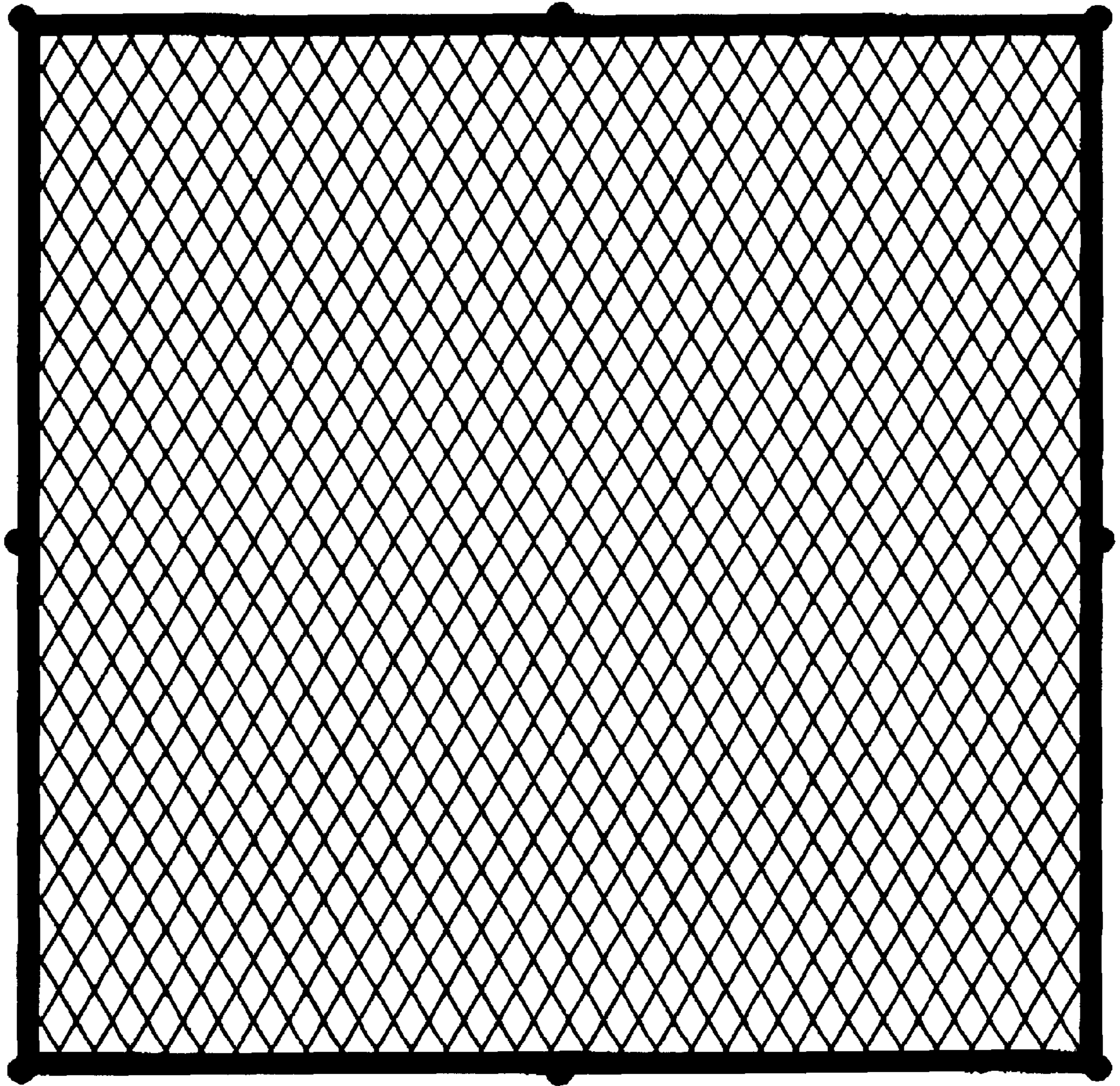


FIG. 4  
BOTTOM VIEW

(C)