



US00D480095S

(12) **United States Design Patent** (10) **Patent No.:** **US D480,095 S**
Leon, Jr. (45) **Date of Patent:** **** Sep. 30, 2003**

(54) **WELDING CLAMP HAVING TWO MAGNETS WITH REMOVAL TABS AND A HINGE**

Primary Examiner—Antoine Duval Davis
(74) *Attorney, Agent, or Firm*—Timothy Thut Tyson; Ted Masters; Freilich, Hornbaker & Rosen

(76) **Inventor:** **Raymond Leon, Jr.**, 83740 Citrus Ave., Unit H, Indio, CA (US) 92201

(57) **CLAIM**

(**) **Term:** **14 Years**

The ornamental design for a welding clamp having two magnets with removal tabs and a hinge, as shown.

(21) **Appl. No.:** **29/173,069**

DESCRIPTION

(22) **Filed:** **Dec. 19, 2002**

FIG. 1 is a bottom, rear, left side, perspective view of a welding clamp having two magnets with removal tabs and a hinge showing my new design;

Related U.S. Application Data

(63) Continuation of application No. 09/969,930, filed on Oct. 3, 2001.

FIG. 2 is a top plan view thereof

(51) **LOC (7) Cl.** **15-09**

FIG. 3 is a bottom plan view thereof;

(52) **U.S. Cl.** **D15/144**

FIG. 4 is a right side elevation view thereof;

(58) **Field of Search** D15/144, 144.1, D15/144.2; 219/136; 269/8; 439/92, 28

FIG. 5 is a left side elevation view thereof;

(56) **References Cited**

U.S. PATENT DOCUMENTS

4,210,373 A * 7/1980 McGee 439/28
5,046,958 A * 9/1991 Brown 439/92

FIG. 6 is a front elevation view thereof;

FIG. 7 is a rear elevation view thereof;

FIG. 8 is a top, right side, perspective view thereof;

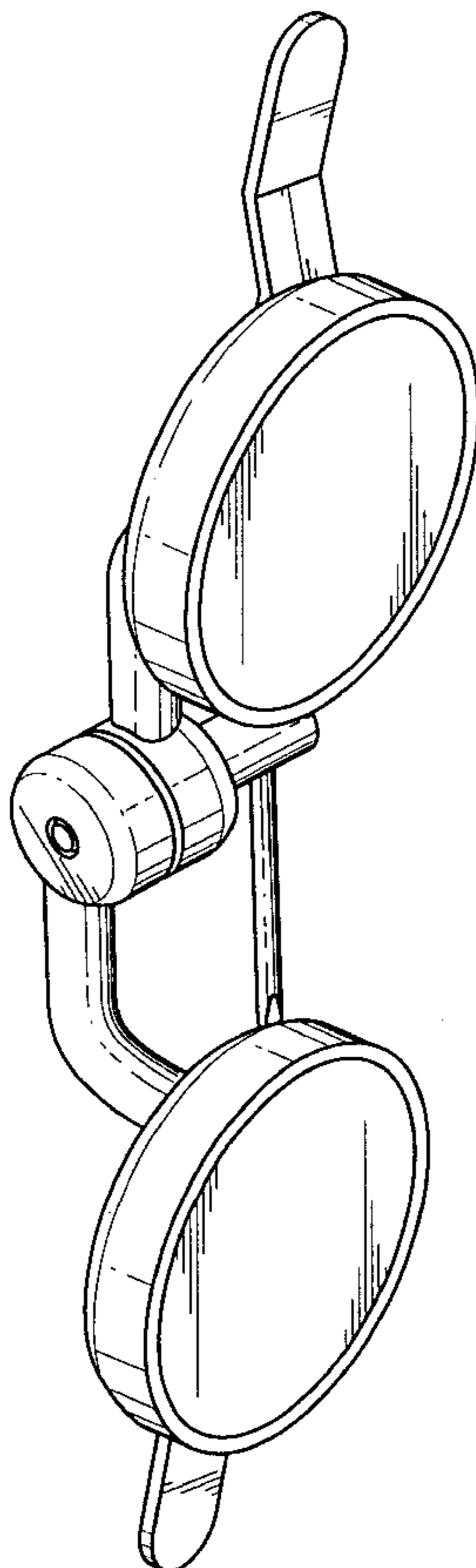
FIG. 9 is a bottom, right side, perspective view thereof;

FIG. 10 is a bottom, right side, perspective view thereof with the hinge rotated inward; and,

FIG. 11 is a bottom, right side, perspective view thereof with the hinge rotated outward.

* cited by examiner

1 Claim, 5 Drawing Sheets



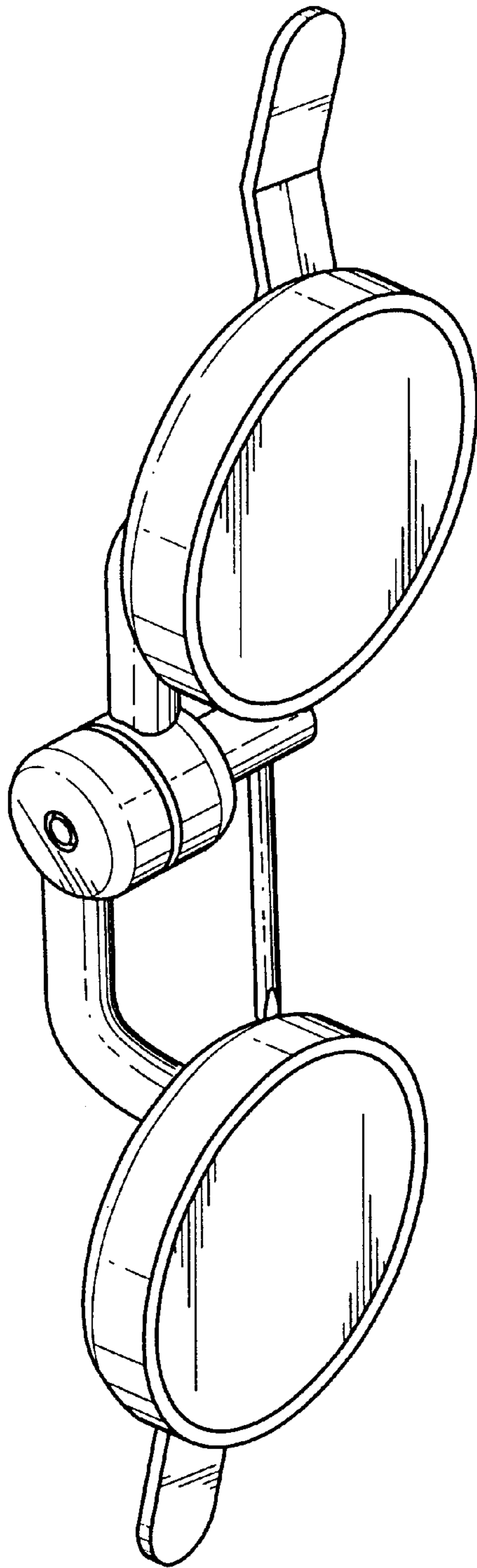


FIG. 1

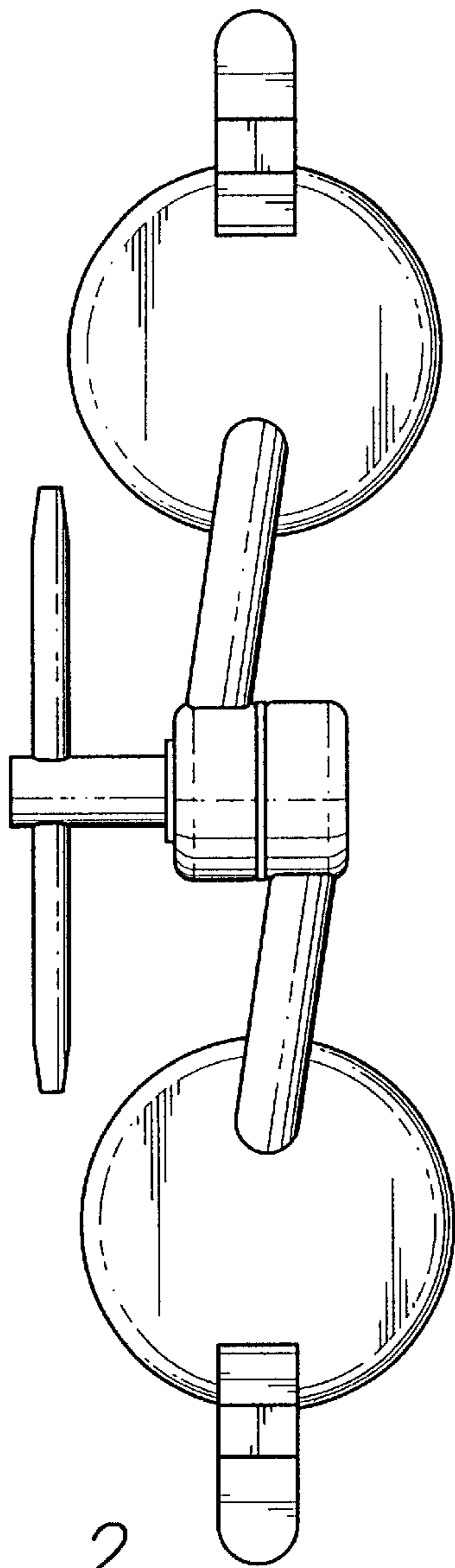


FIG. 2

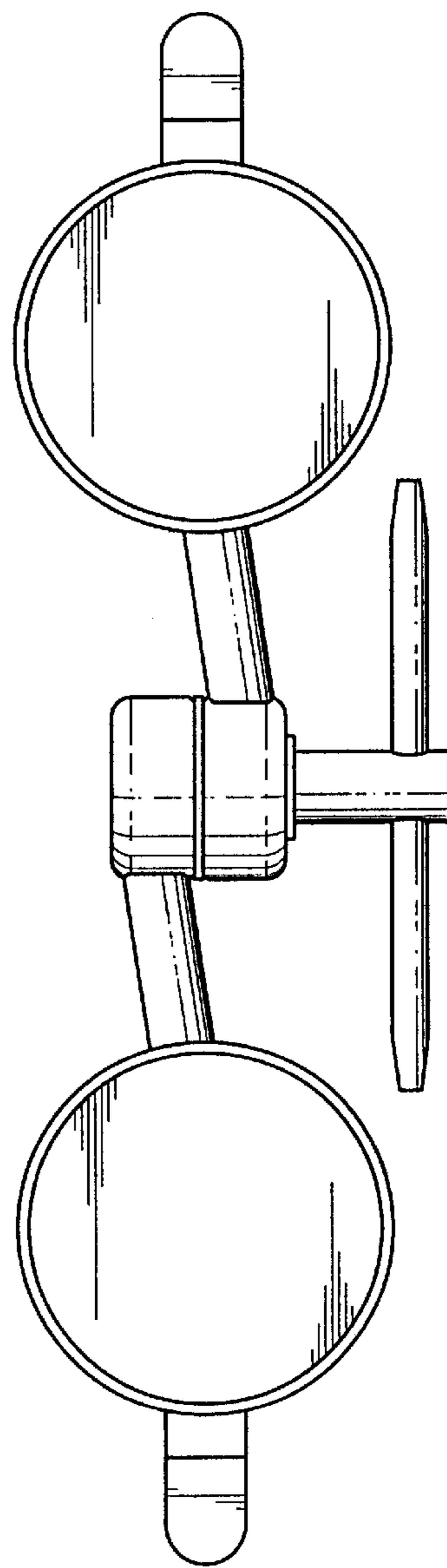


FIG. 3

FIG. 4

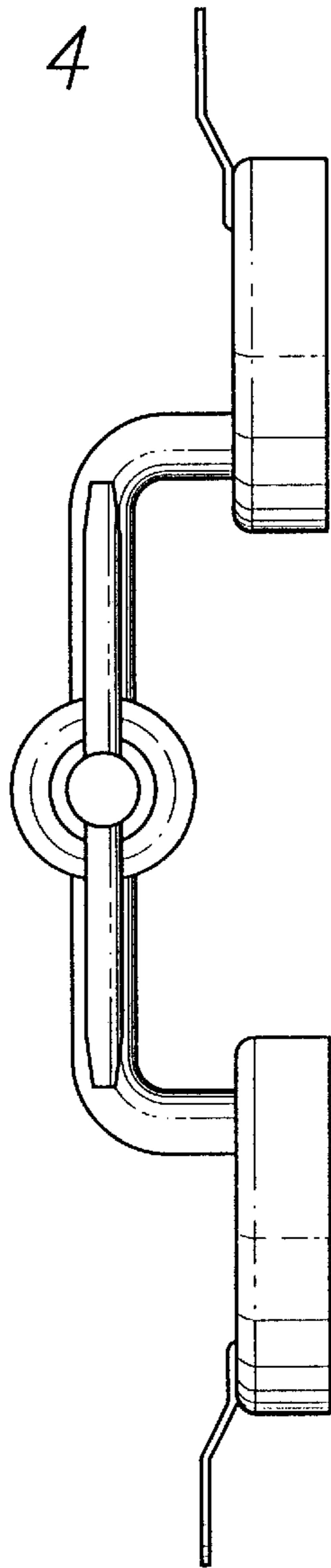


FIG. 5

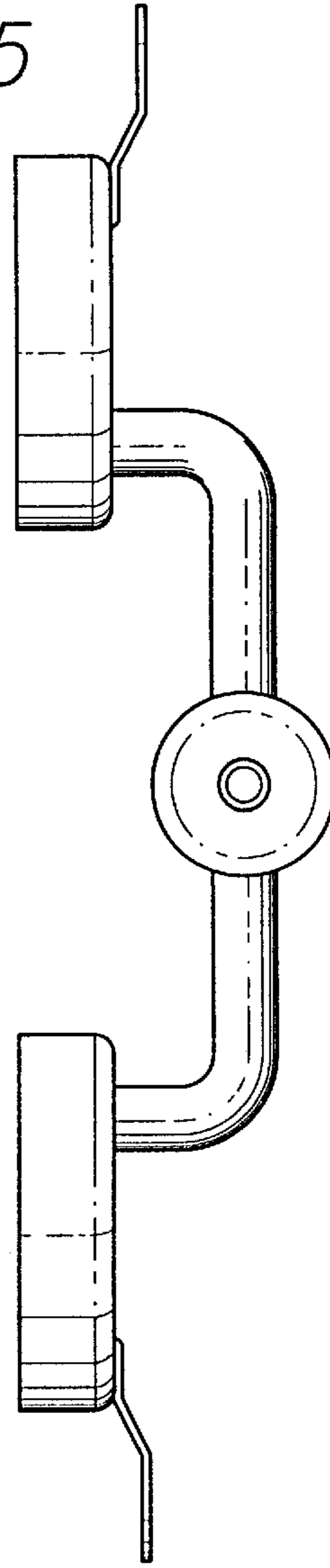


FIG. 6

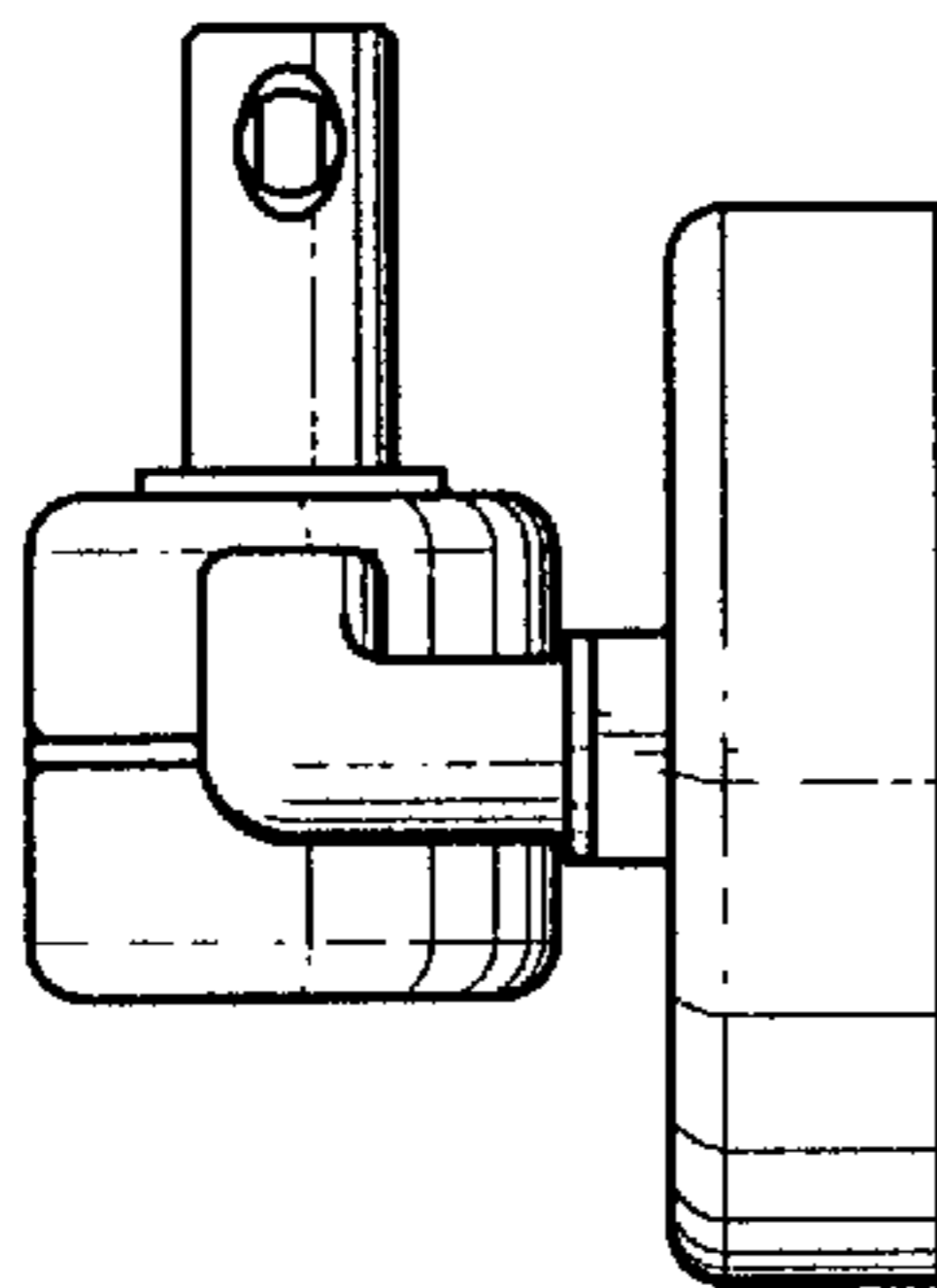
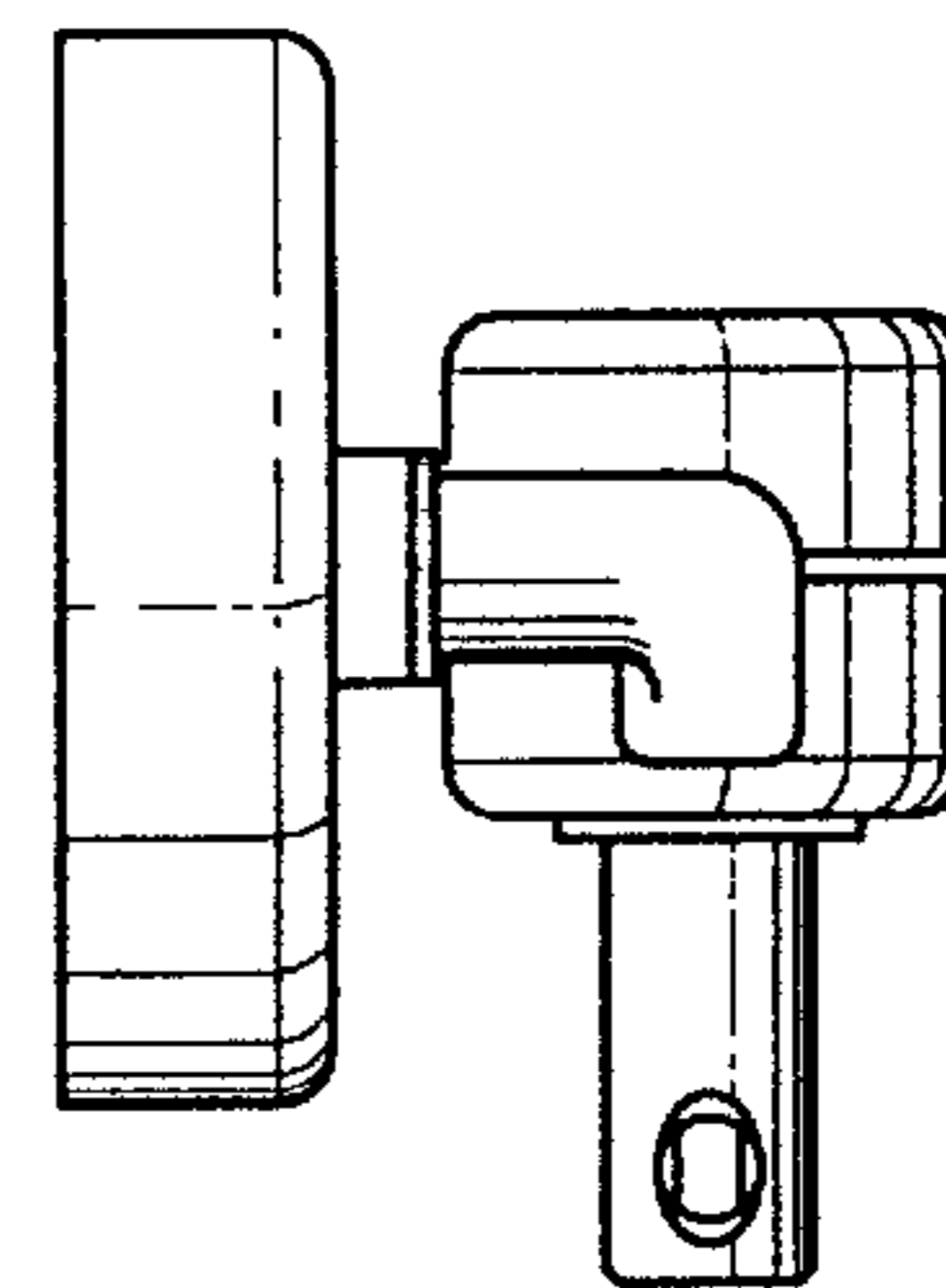


FIG. 7



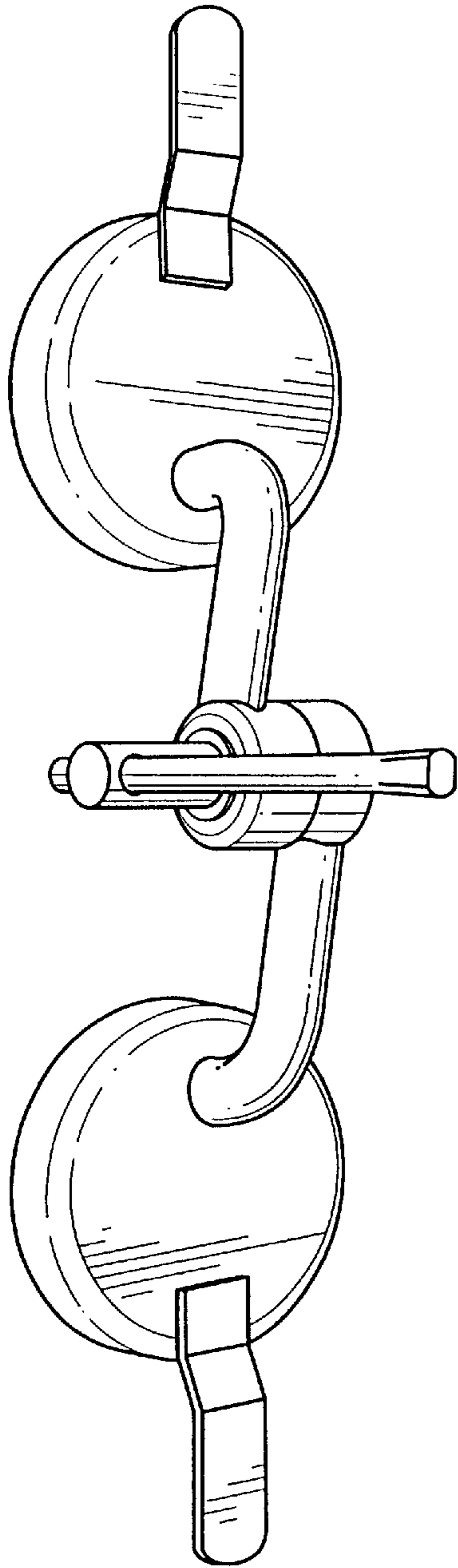


FIG. 8

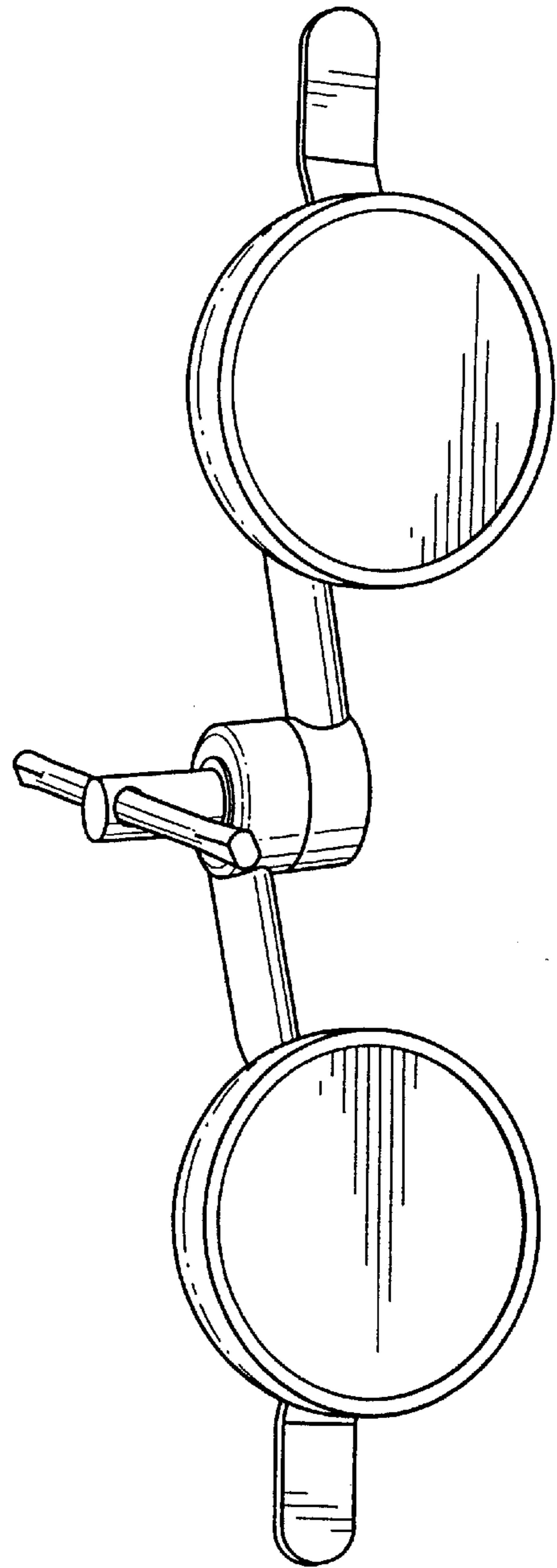


FIG. 9

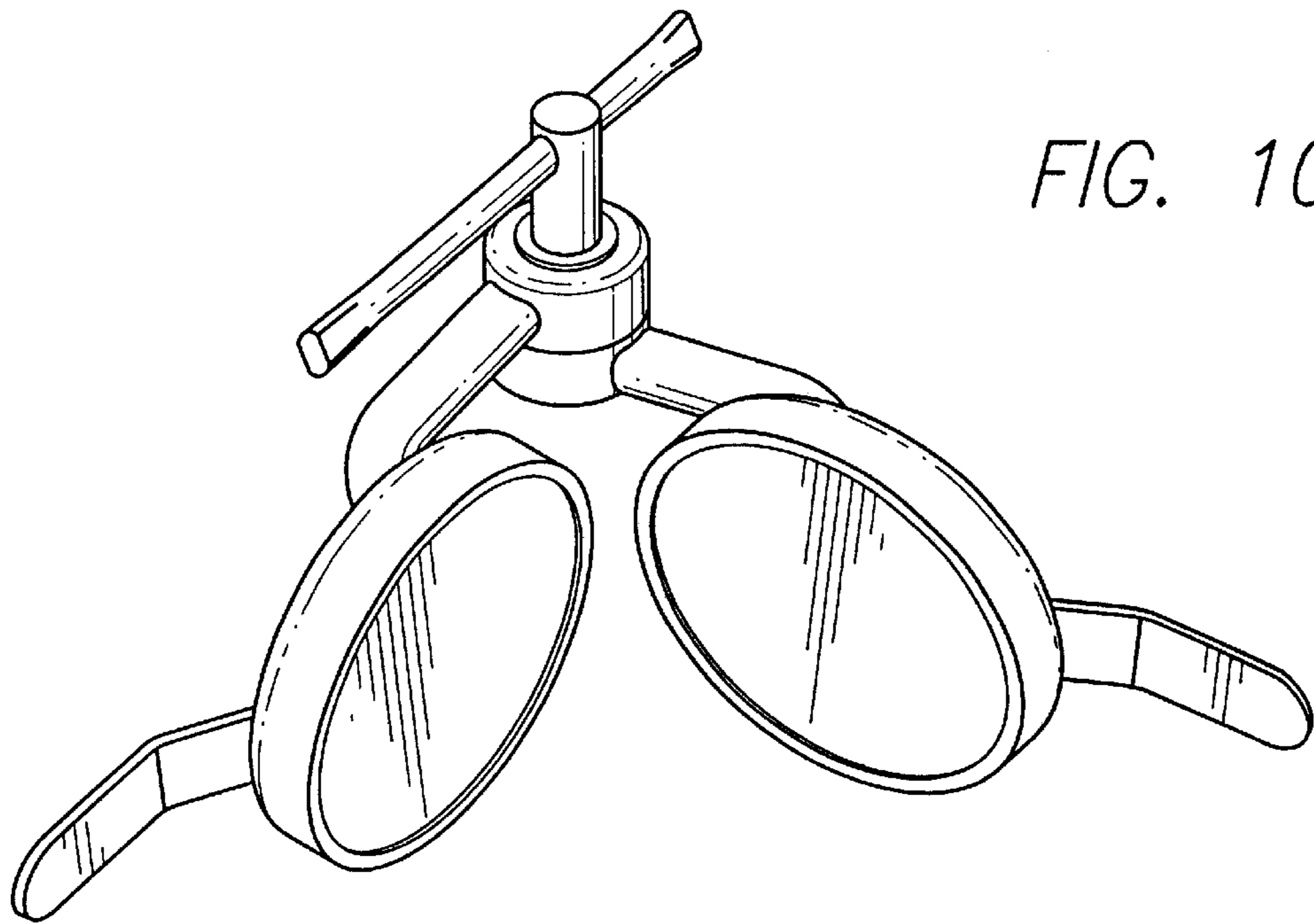


FIG. 10

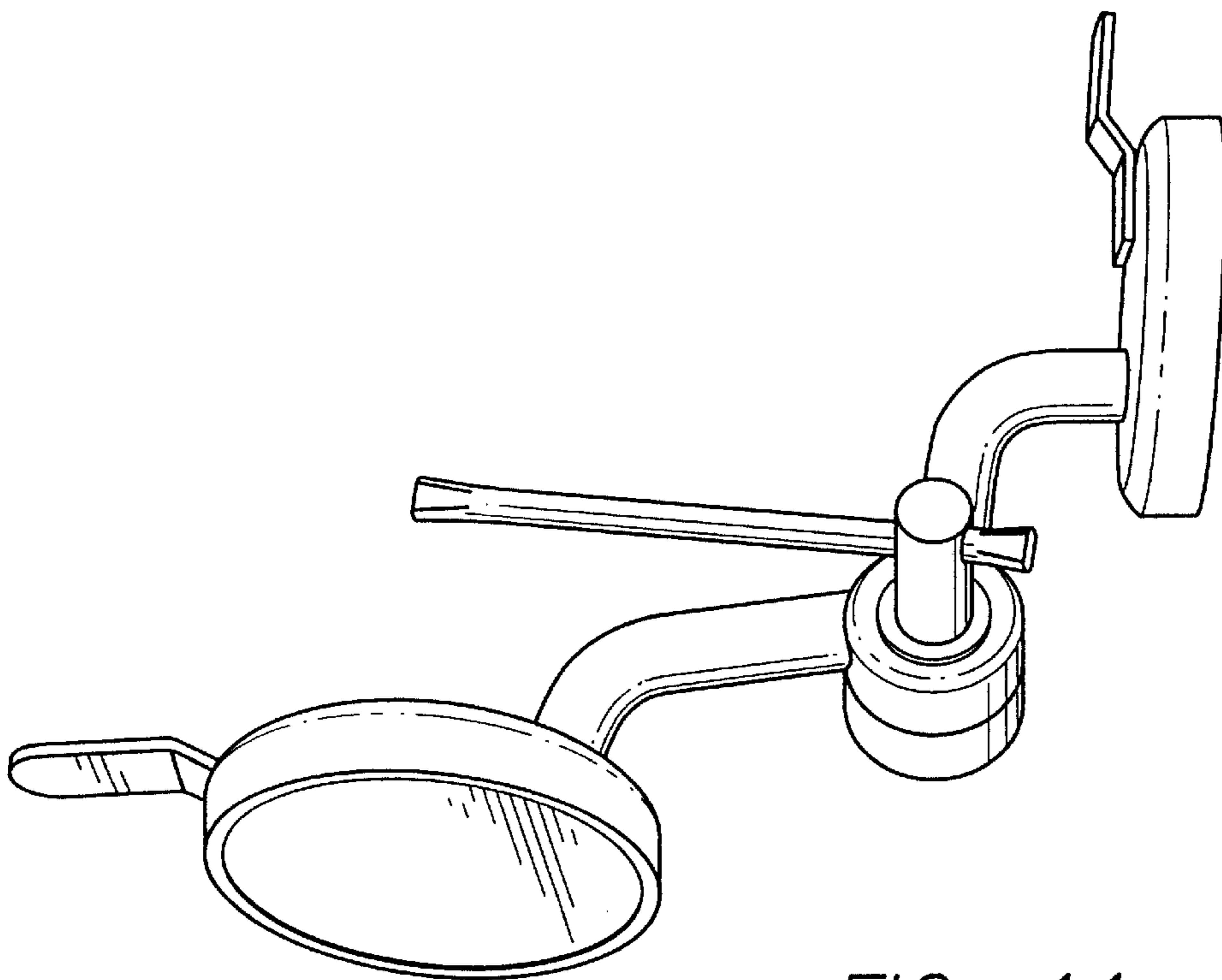


FIG. 11