



US00D480094S

(12) **United States Design Patent**
Fisher et al.

(10) **Patent No.:** **US D480,094 S**

(45) **Date of Patent:** **** Sep. 30, 2003**

(54) **COMPOST SPREADER AND TOP DRESSING APPARATUS**

5,037,266 A * 8/1991 Jurgensmeyer 414/528
5,085,372 A * 2/1992 Martin 239/675
5,501,404 A * 3/1996 Meyer et al. 239/676

(75) Inventors: **Stephen Z. Fisher**, Ronks, PA (US);
Norman M. Stauffer, New Holland, PA (US)

* cited by examiner

Primary Examiner—Mitchell Siegel

(73) Assignee: **Millcreek Manufacturing Co.**, Leola, PA (US)

(74) *Attorney, Agent, or Firm*—Miller Law Group, PLLC

(**) Term: **14 Years**

(57) **CLAIM**

The ornamental design for a compost spreader and top dressing apparatus, as shown and described.

(21) Appl. No.: **29/172,771**

DESCRIPTION

(22) Filed: **Dec. 17, 2002**

(51) **LOC (7) Cl.** **15-03**

(52) **U.S. Cl.** **D15/27**

(58) **Field of Search** D15/10, 13, 28,
D15/27; 239/681, 682, 683, 670, 673, 675,
651, 656, 661, 666; 414/528, 523

FIG. 1 is a left side elevational view of a compost spreader and top dressing apparatus showing our new design;

FIG. 2 is a front elevational view thereof, the alternating lining of the floor of the apparatus indicating an elastomeric surface;

FIG. 3 is a rear elevational view thereof, the alternating lining of the floor of the apparatus indicating an elastomeric surface;

FIG. 4 is a right side elevational view thereof;

FIG. 5 is a top plan view thereof, the alternating lining of the floor of the apparatus indicating an elastomeric surface; and,

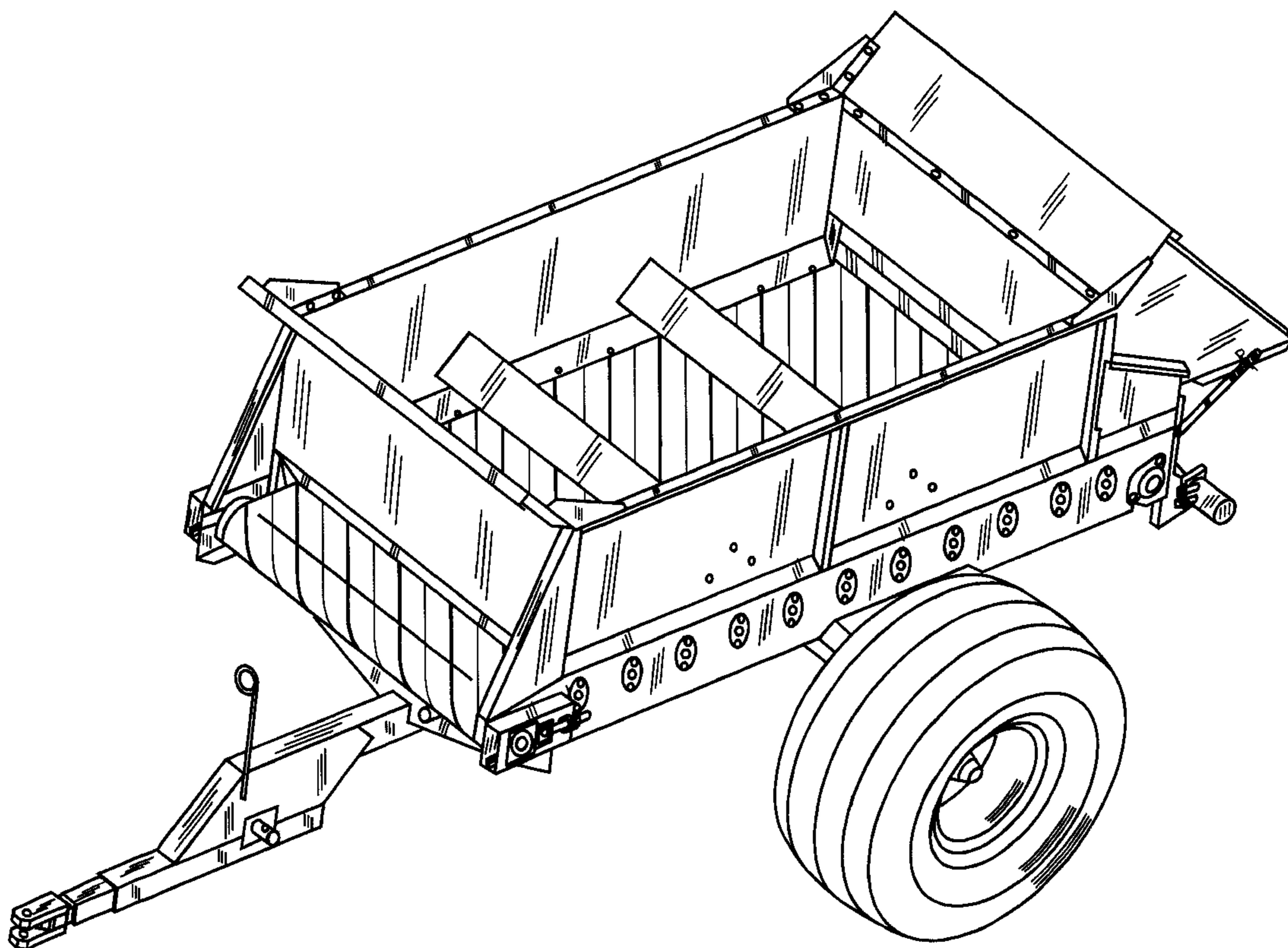
FIG. 6 is a left, front perspective view thereof, the alternating lining of the floor of the apparatus indicating an elastomeric surface.

(56) **References Cited**

U.S. PATENT DOCUMENTS

2,619,355 A * 11/1952 Trees 239/656
4,350,303 A * 9/1982 van der Lely 239/673
D284,382 S * 6/1986 Black et al. D15/28
4,634,056 A * 1/1987 Precure 239/661
D296,789 S * 7/1988 Larsson D15/13
4,804,145 A * 2/1989 Seymour et al. 239/666

1 Claim, 6 Drawing Sheets



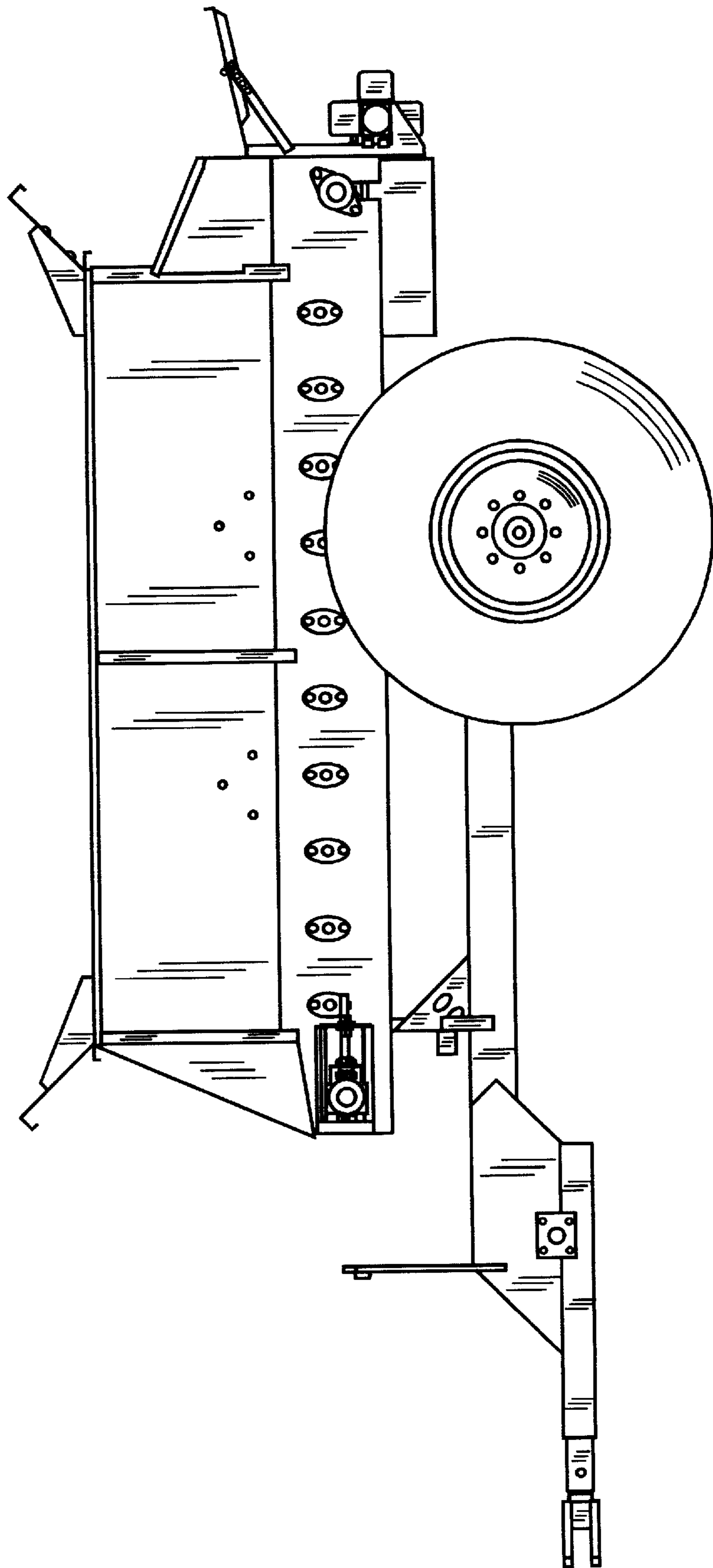


Fig. 1

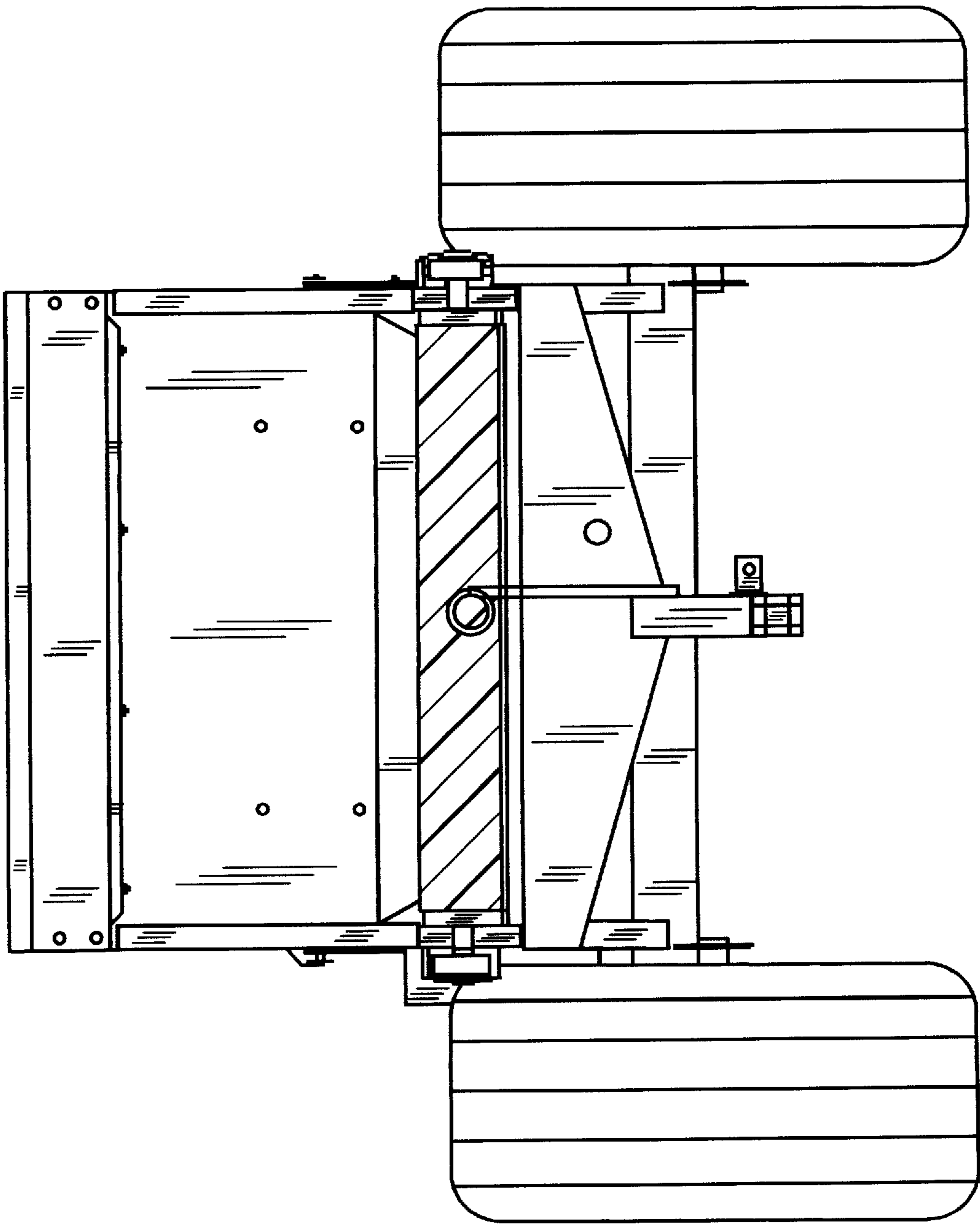


Fig. 2

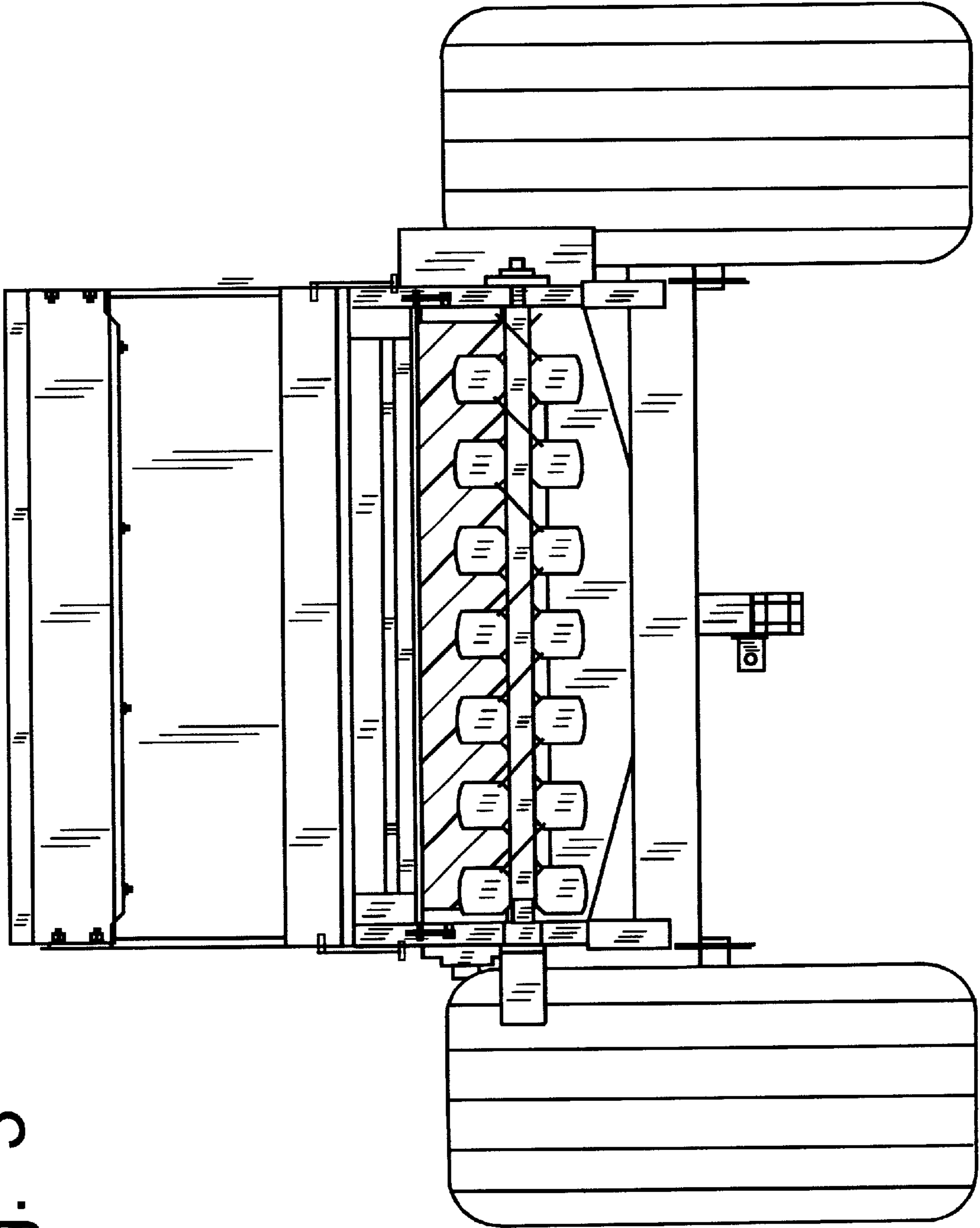
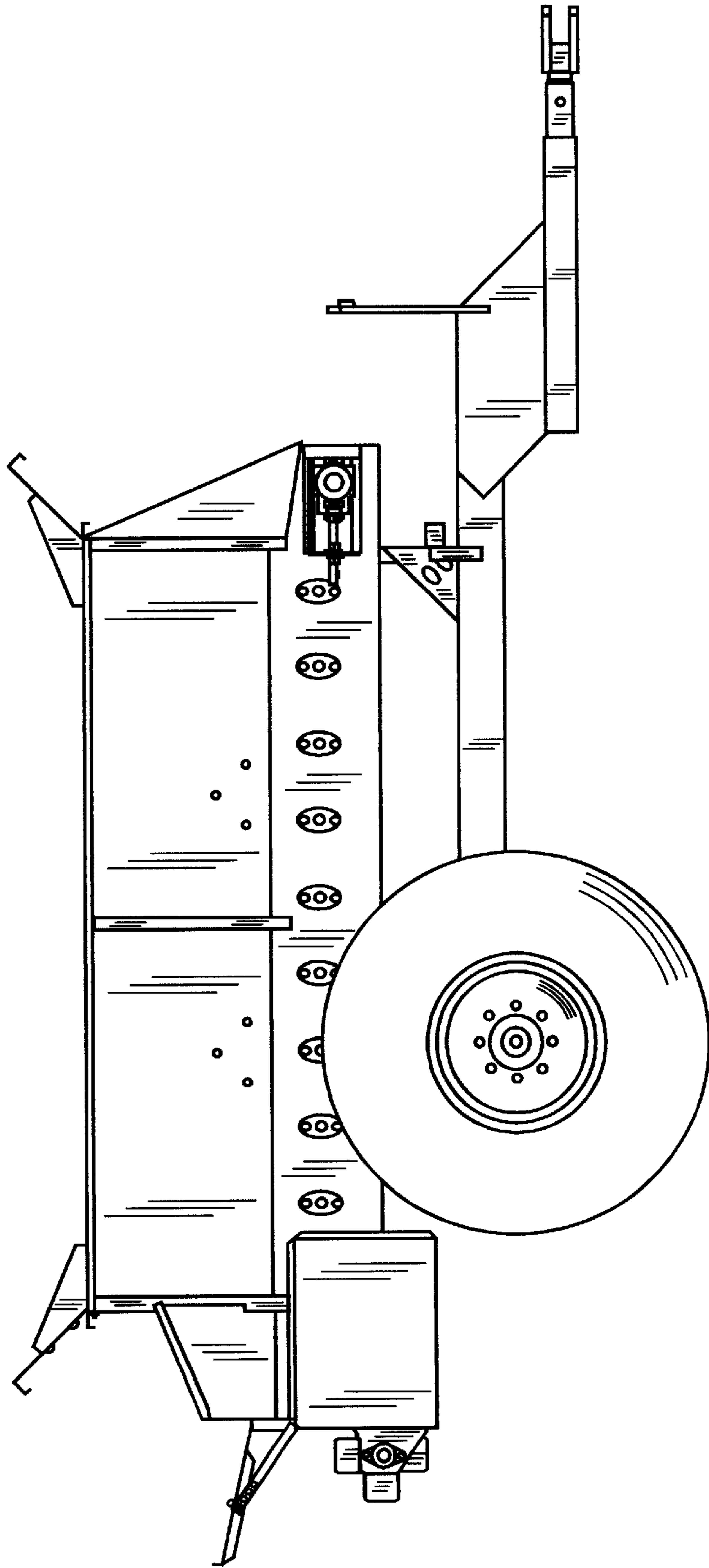


Fig. 3

Fig. 4



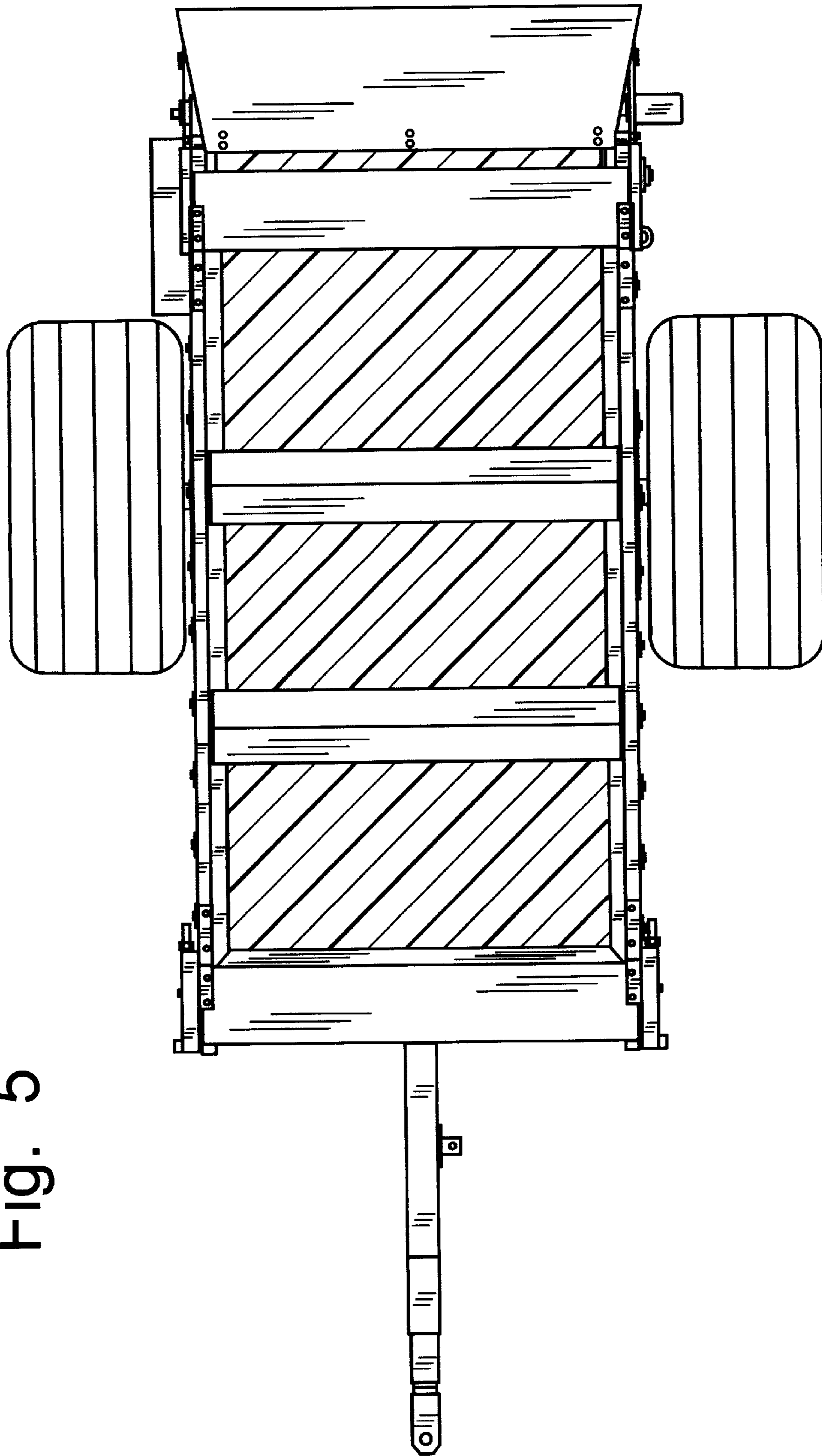


Fig. 5

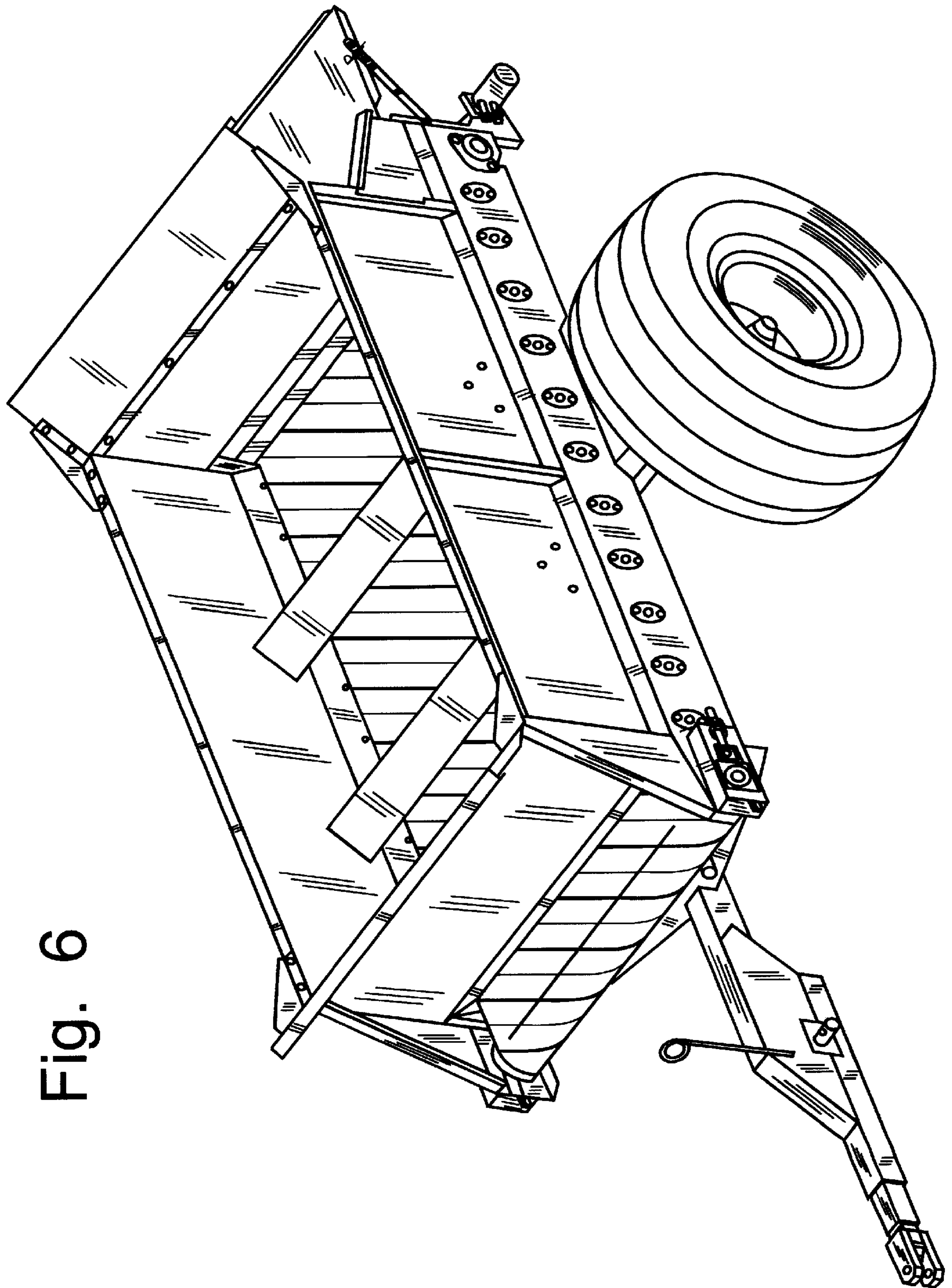


Fig. 6