



US00D480093S

(12) **United States Design Patent**  
**Attolini**

(10) **Patent No.:** **US D480,093 S**

(45) **Date of Patent:** **\*\* Sep. 30, 2003**

(54) **COMBINED PORTABLE COMPRESSOR  
UNIT AND BATTERY**

D470,865 S \* 2/2003 Wang ..... D15/9

\* cited by examiner

(75) Inventor: **Lorenzo Attolini**, Parma (IT)

*Primary Examiner*—Ralf Seifert

(73) Assignee: **PRE Holding, Inc.**, Midlothian, VA  
(US)

(74) *Attorney, Agent, or Firm*—McGuireWoods LLP

(\*\*) Term: **14 Years**

(57) **CLAIM**

I claim the ornamental design for a combined portable compressor unit and battery, as shown and described.

(21) Appl. No.: **29/170,375**

**DESCRIPTION**

(22) Filed: **Nov. 5, 2002**

(51) **LOC (7) Cl.** ..... **15-02**

(52) **U.S. Cl.** ..... **D15/9**

(58) **Field of Search** ..... D15/7-9.1; 417/410.4,  
417/359, 415, 410.3, 534, 215, 222.1, 269;  
D23/324, 354, 163, 363; 418/259

FIG. 1 is a front elevation view of the combined portable compressor unit and battery in accordance with an embodiment of the present invention;  
FIG. 2 is a rear elevation view thereof;  
FIG. 3 is a left side elevation view thereof;  
FIG. 4 is a right side elevation view thereof;  
FIG. 5 is a top plan view thereof;  
FIG. 6 is a bottom plan view thereof;  
FIG. 7 is a right-front perspective view thereof; and,  
FIG. 8 is a left-front perspective view thereof.

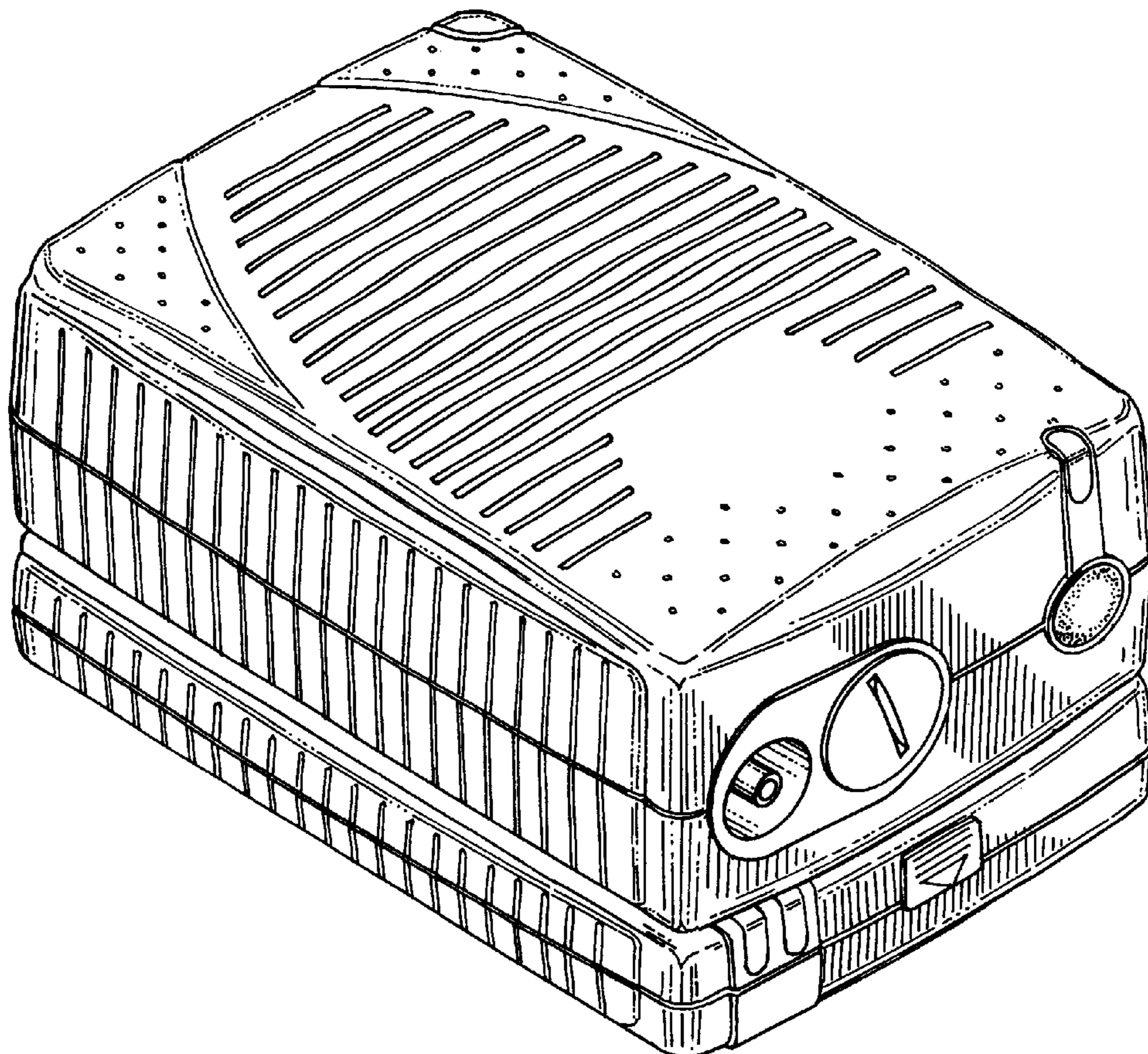
(56) **References Cited**

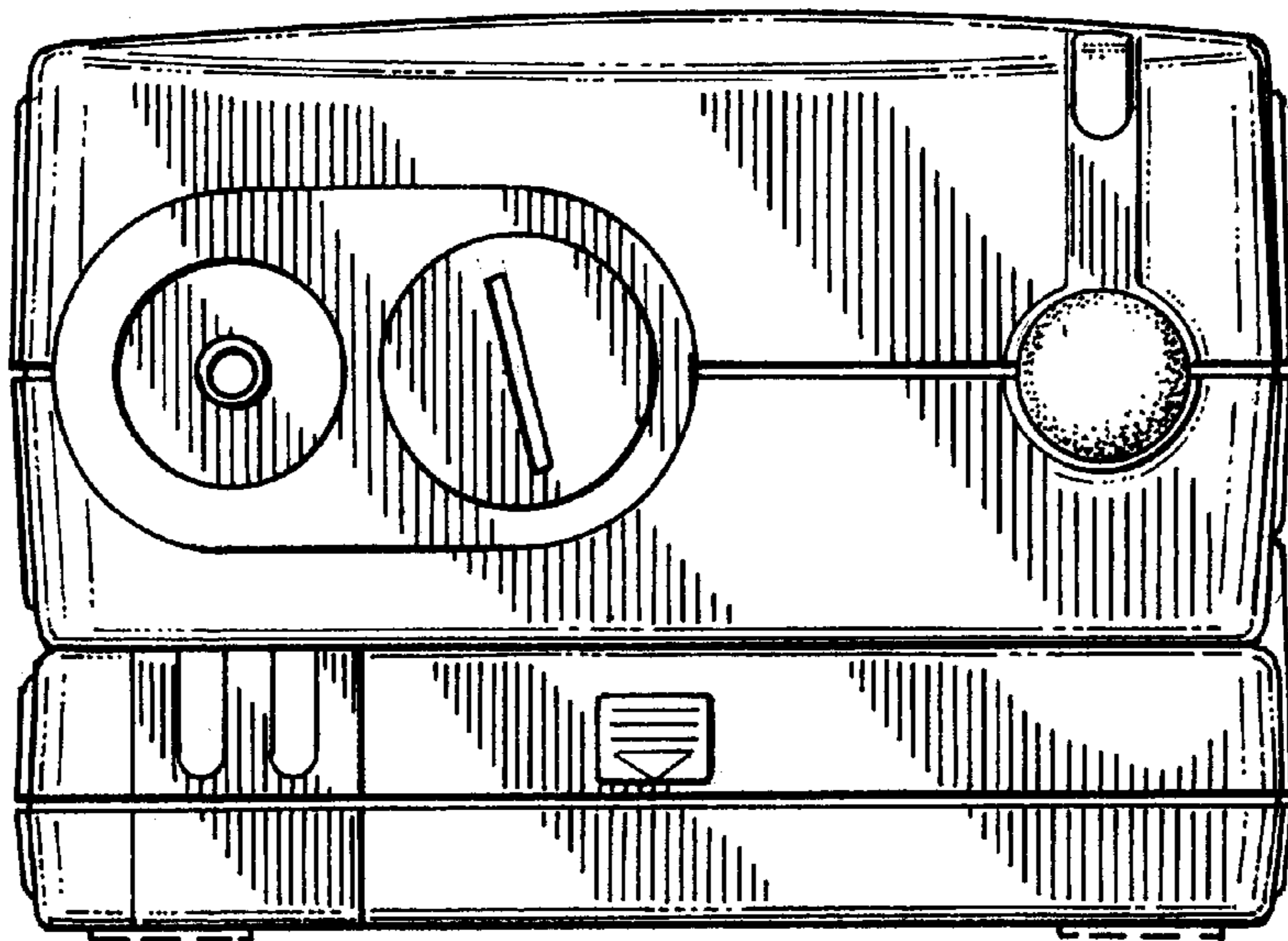
**U.S. PATENT DOCUMENTS**

D339,356 S	*	9/1993	Tsai	.....	D15/8
D395,051 S	*	6/1998	Bonzer	.....	D15/9
D398,011 S	*	9/1998	Wang	.....	D15/9
D403,330 S	*	12/1998	Williams	.....	D15/9
D409,627 S	*	5/1999	Wang	.....	D15/9

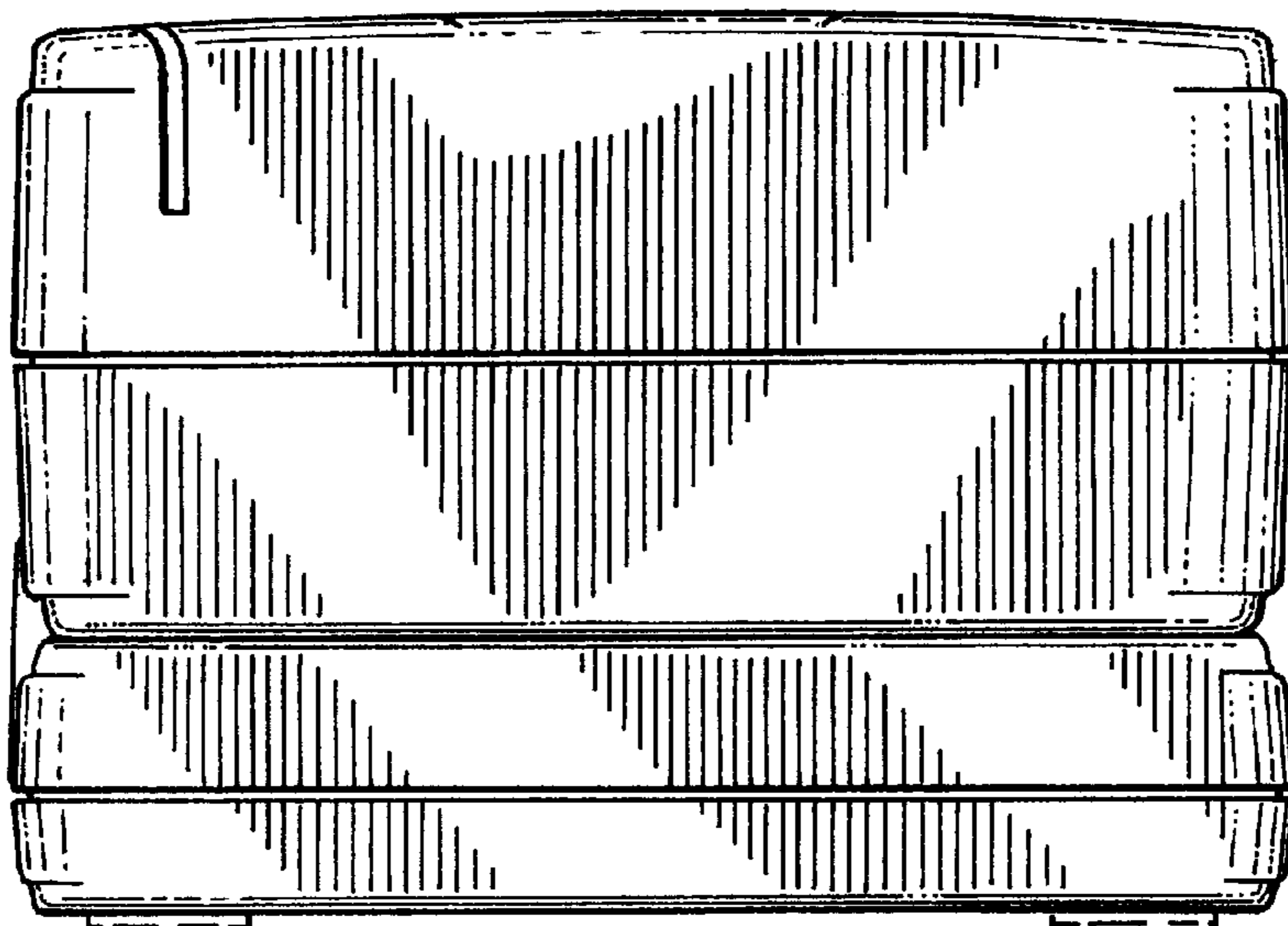
The portions of these drawings shown in broken lines are for illustrative purposes only and form no part of the claimed design.

**1 Claim, 5 Drawing Sheets**

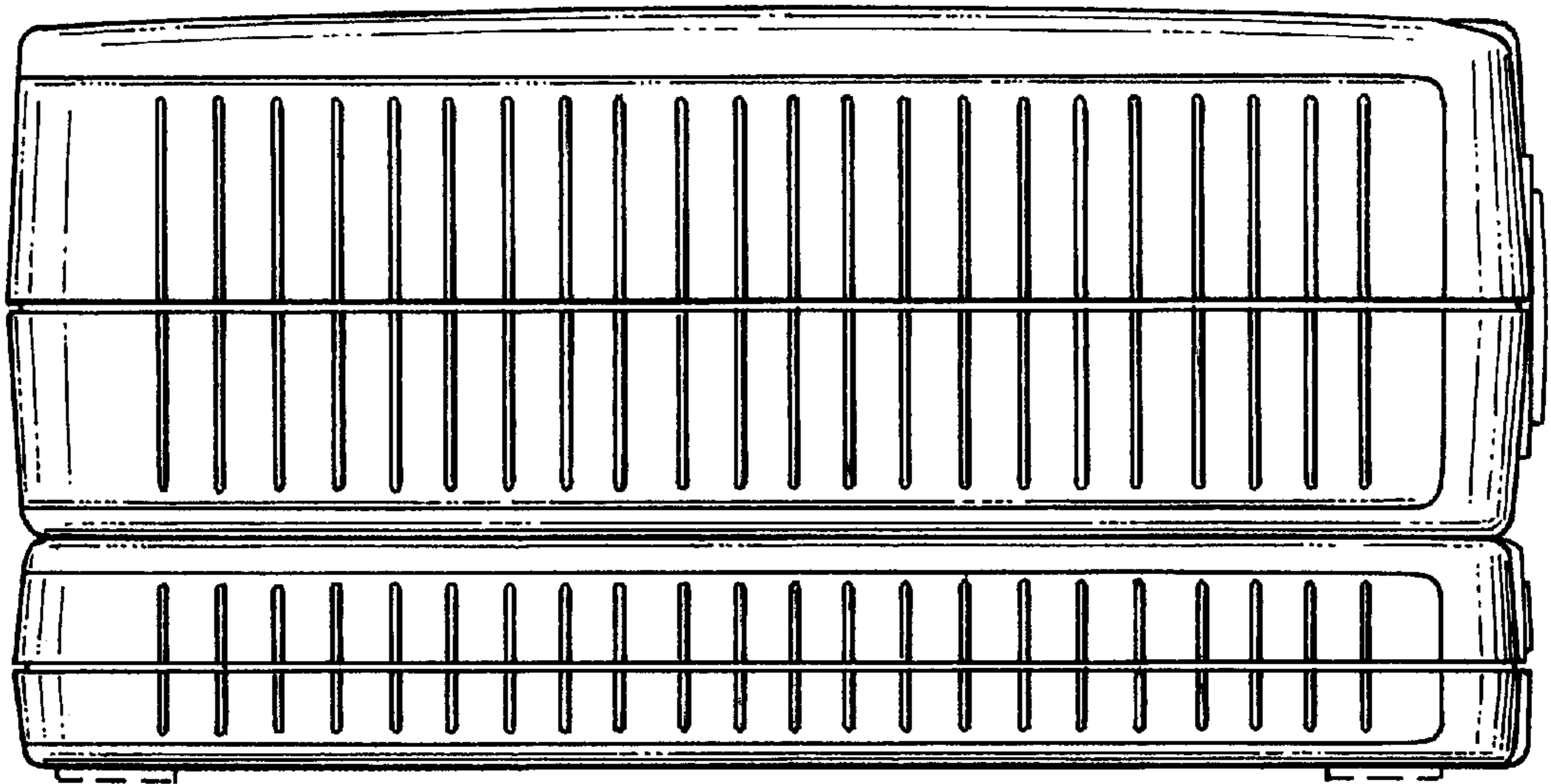




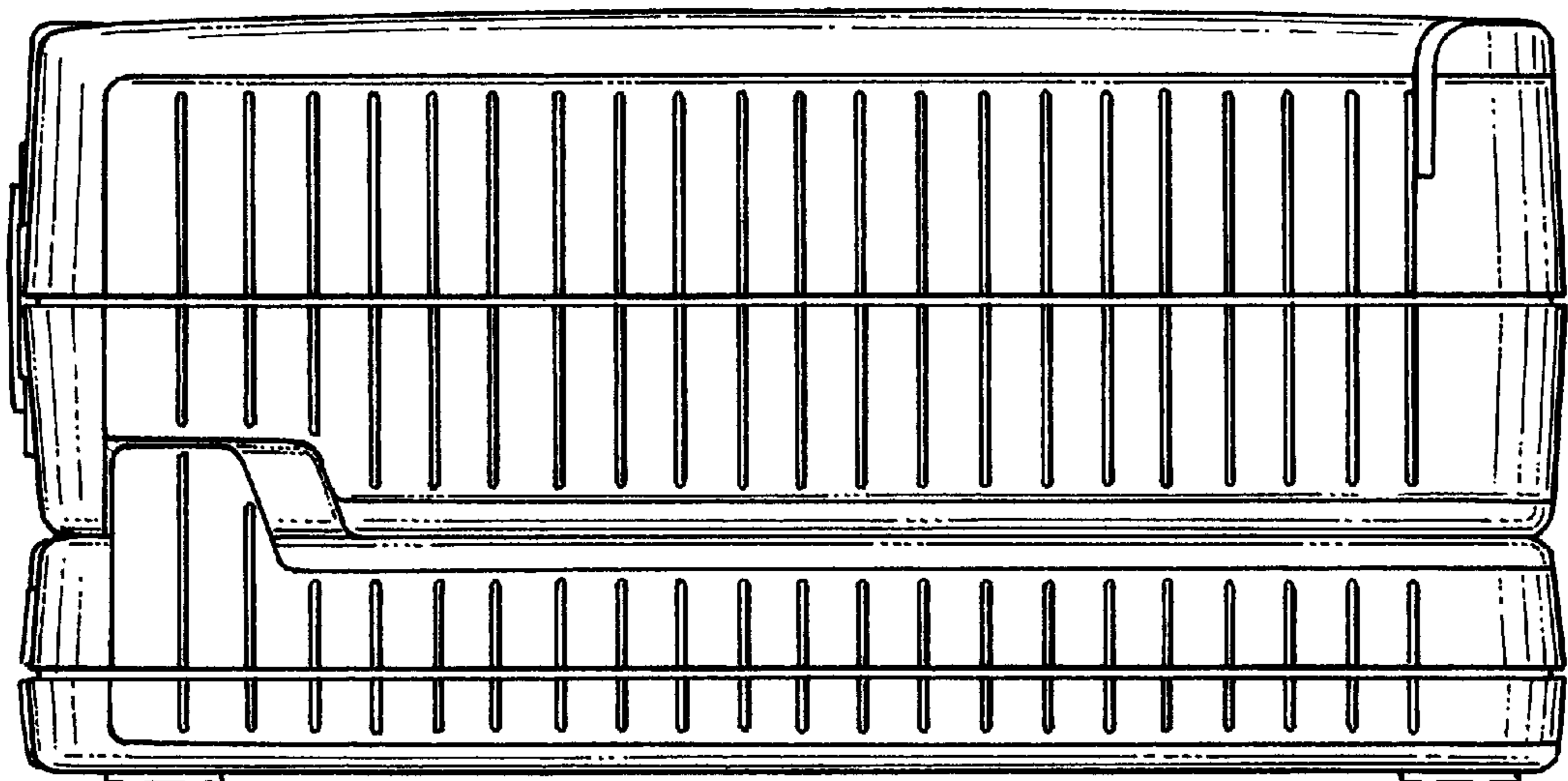
*Fig. 1*



*Fig. 2*

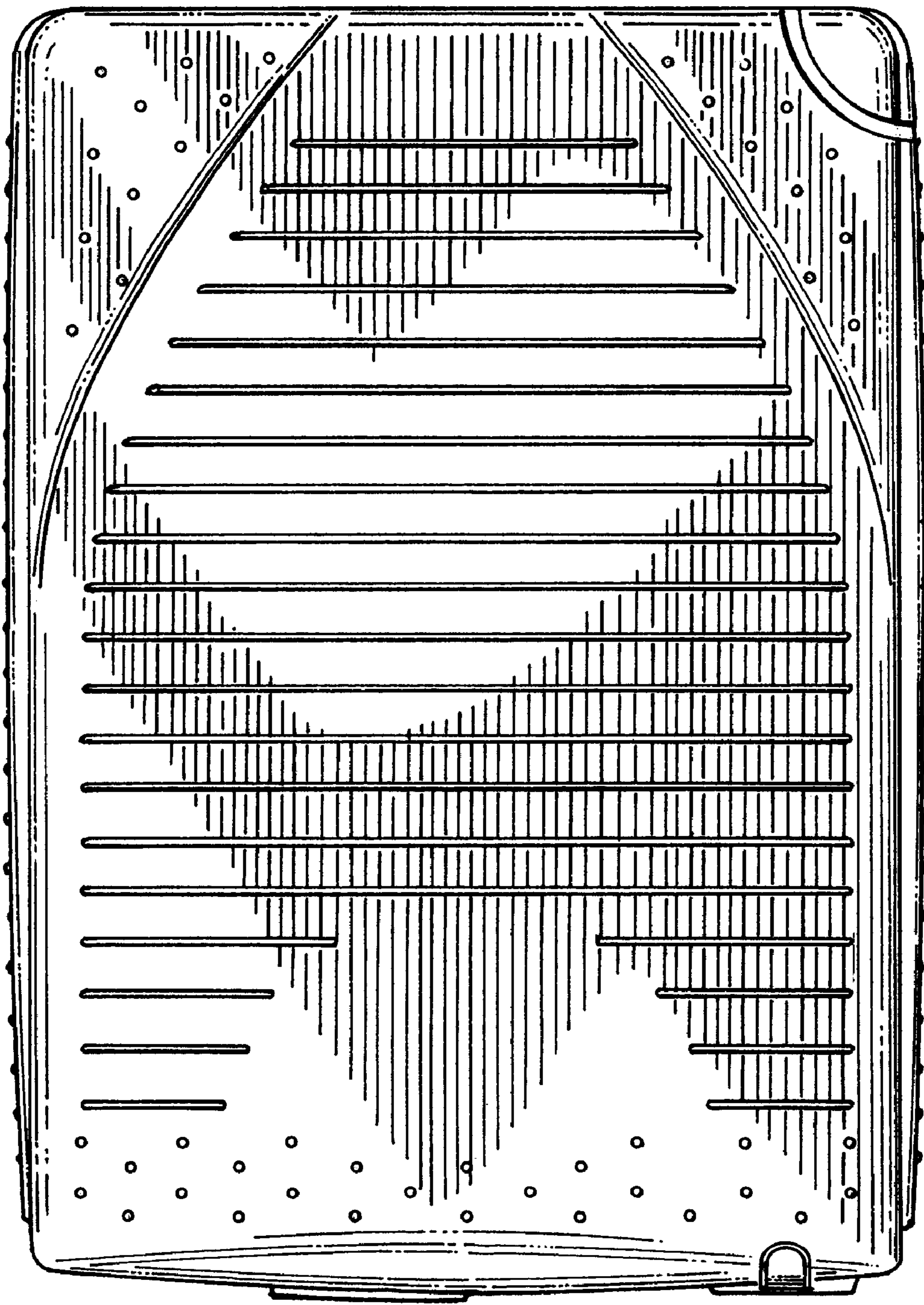


*Fig. 3*

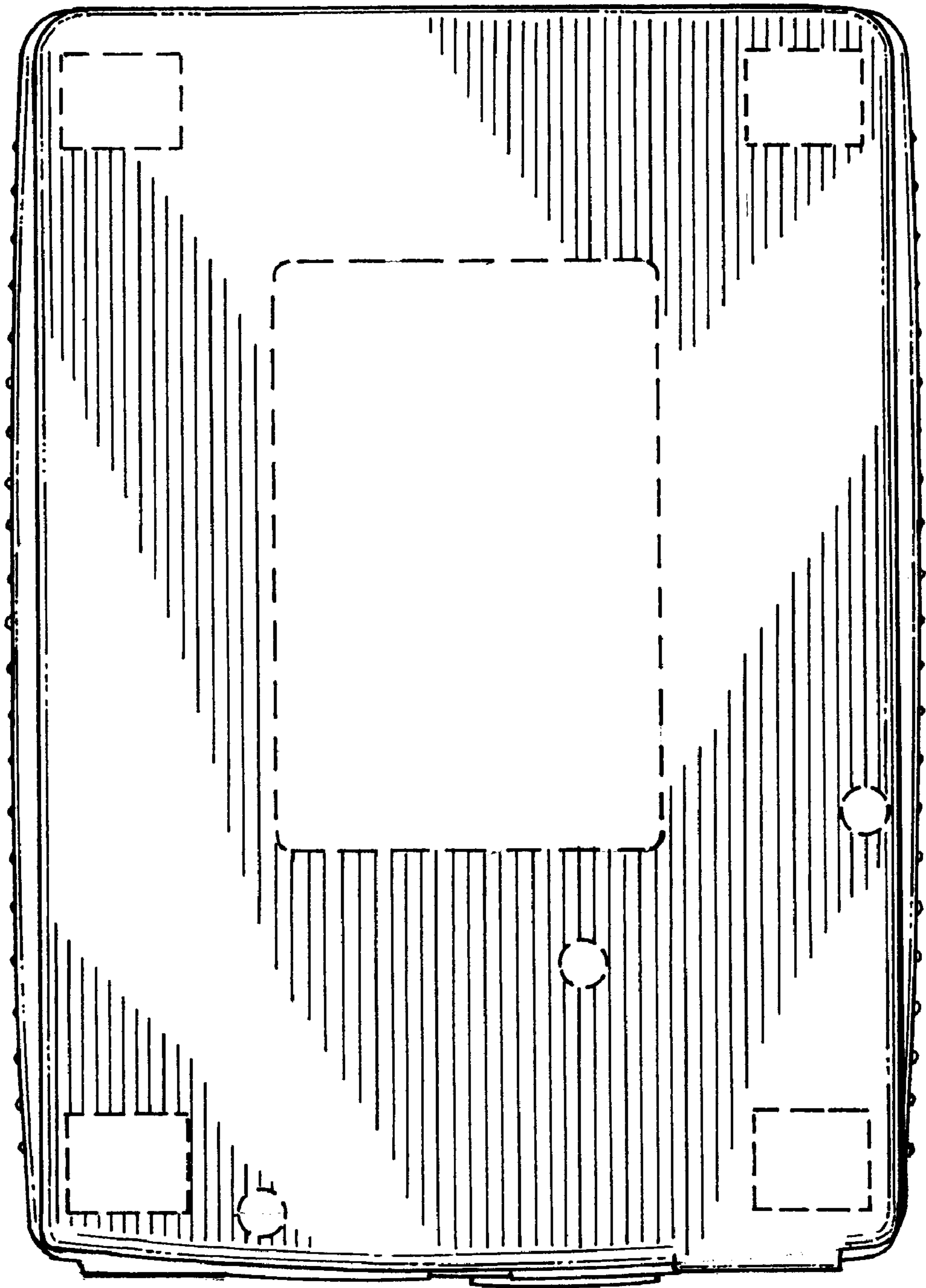


*Fig. 4*

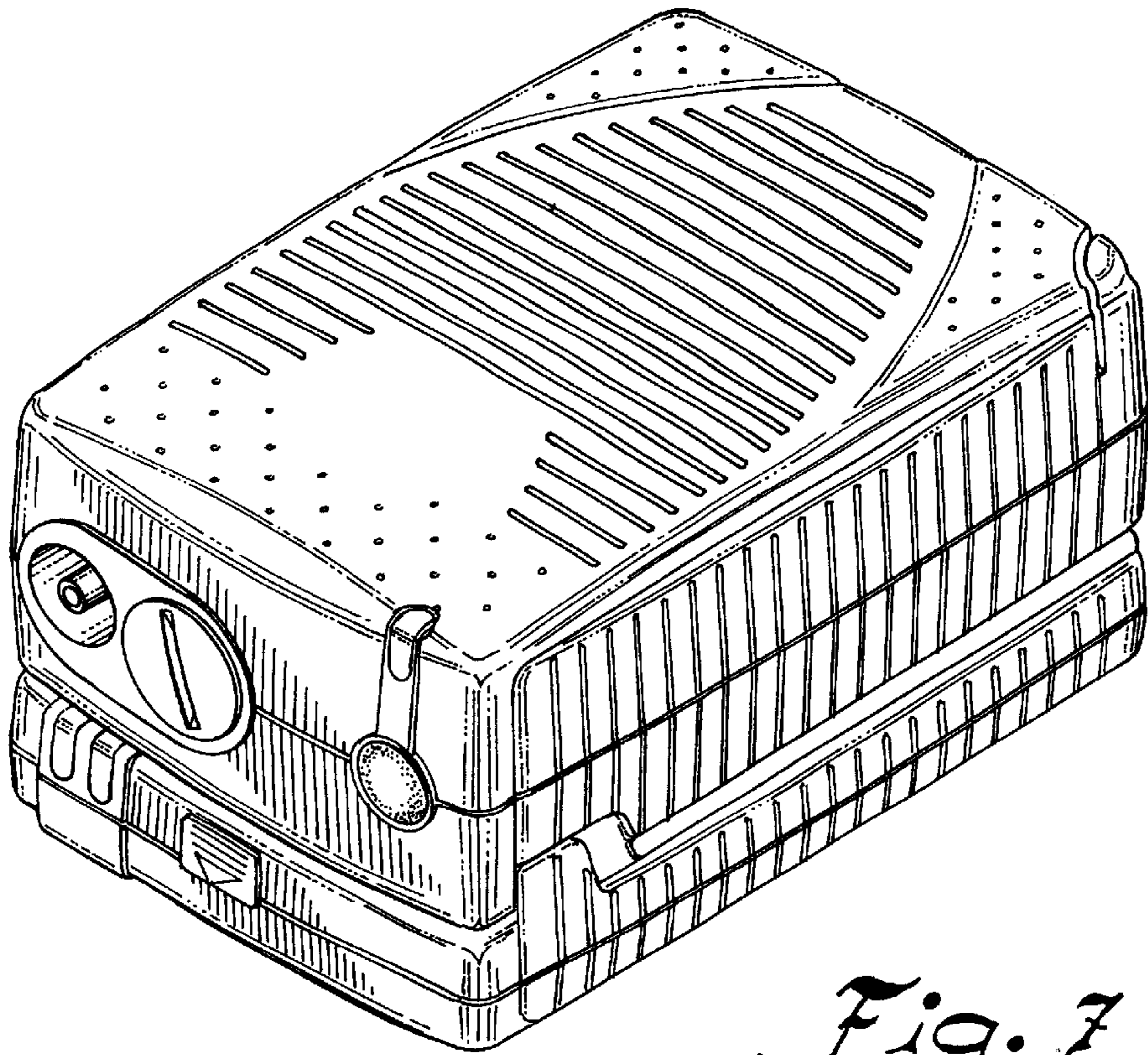




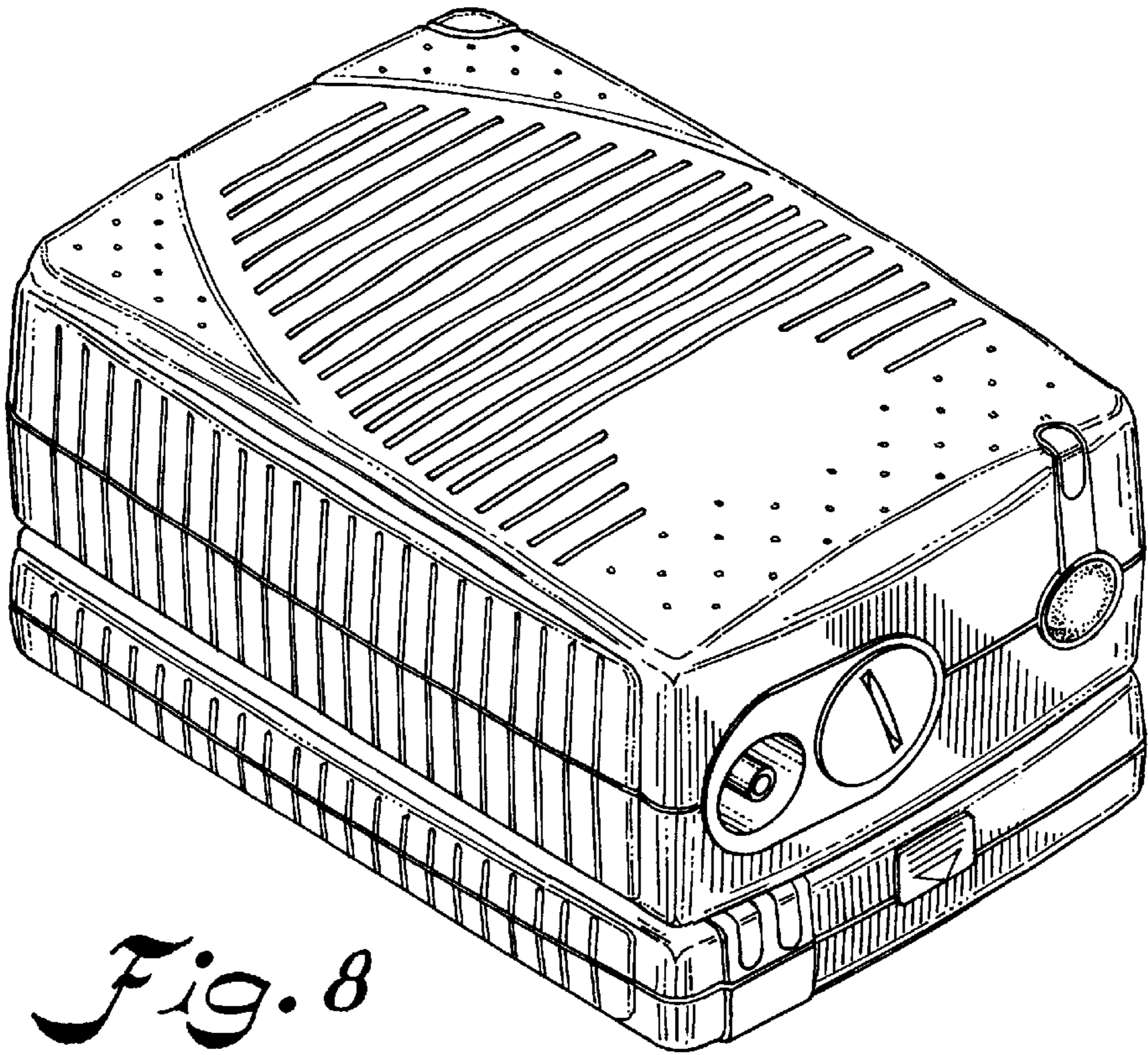
*Fig. 5*



*Fig. 6*



*Fig. 7*



*Fig. 8*