



US00D480091S

(12) **United States Design Patent**
Myszka et al.

(10) **Patent No.: US D480,091 S**

(45) **Date of Patent: ** *Sep. 30, 2003**

(54) **DEVICE FOR LOCKING A MEDIA DISC TO A RETAINING HUB**

(75) Inventors: **Kevin E. Myszka**, Kent, OH (US);
James M. Byrne, Massillon, OH (US)

(73) Assignee: **Nexpak Corporation**, North Canton, OH (US)

(*) Notice: This patent is subject to a terminal disclaimer.

(**) Term: **14 Years**

(21) Appl. No.: **29/157,508**

(22) Filed: **Mar. 19, 2002**

Related U.S. Application Data

(62) Division of application No. 29/136,042, filed on Jan. 24, 2001.

(51) **LOC (7) Cl.** **14-99**

(52) **U.S. Cl.** **D14/483**

(58) **Field of Search** D14/474-484;
346/134-137, 146; 360/131-137; 369/290,
272, 280, 289, 291, 292, 270

(56) **References Cited**

U.S. PATENT DOCUMENTS

D221,437 S * 8/1971 Dearling D14/483

D259,093 S * 5/1981 Iovino D14/483
4,705,279 A * 11/1987 Mizukami et al. 346/137
4,944,982 A * 7/1990 Kikuchi 346/135.1
5,138,606 A * 8/1992 Nishizawa 369/270
5,323,379 A * 6/1994 Kim 369/270
5,457,676 A * 10/1995 Park 369/270
D385,538 S * 10/1997 Tatenuma D14/483
D438,544 S * 3/2001 Pearce et al. D14/483
6,292,461 B1 * 9/2001 Kikuchi et al. 369/290

* cited by examiner

Primary Examiner—Prabhakar Deshmukh
(74) *Attorney, Agent, or Firm*—Sand & Sebolt

(57) **CLAIM**

The ornamental design for a device for locking a media disc to a retaining hub, as shown and described.

DESCRIPTION

FIG. 1 is a perspective view of the device for locking a media disc to a retaining hub showing our new design.

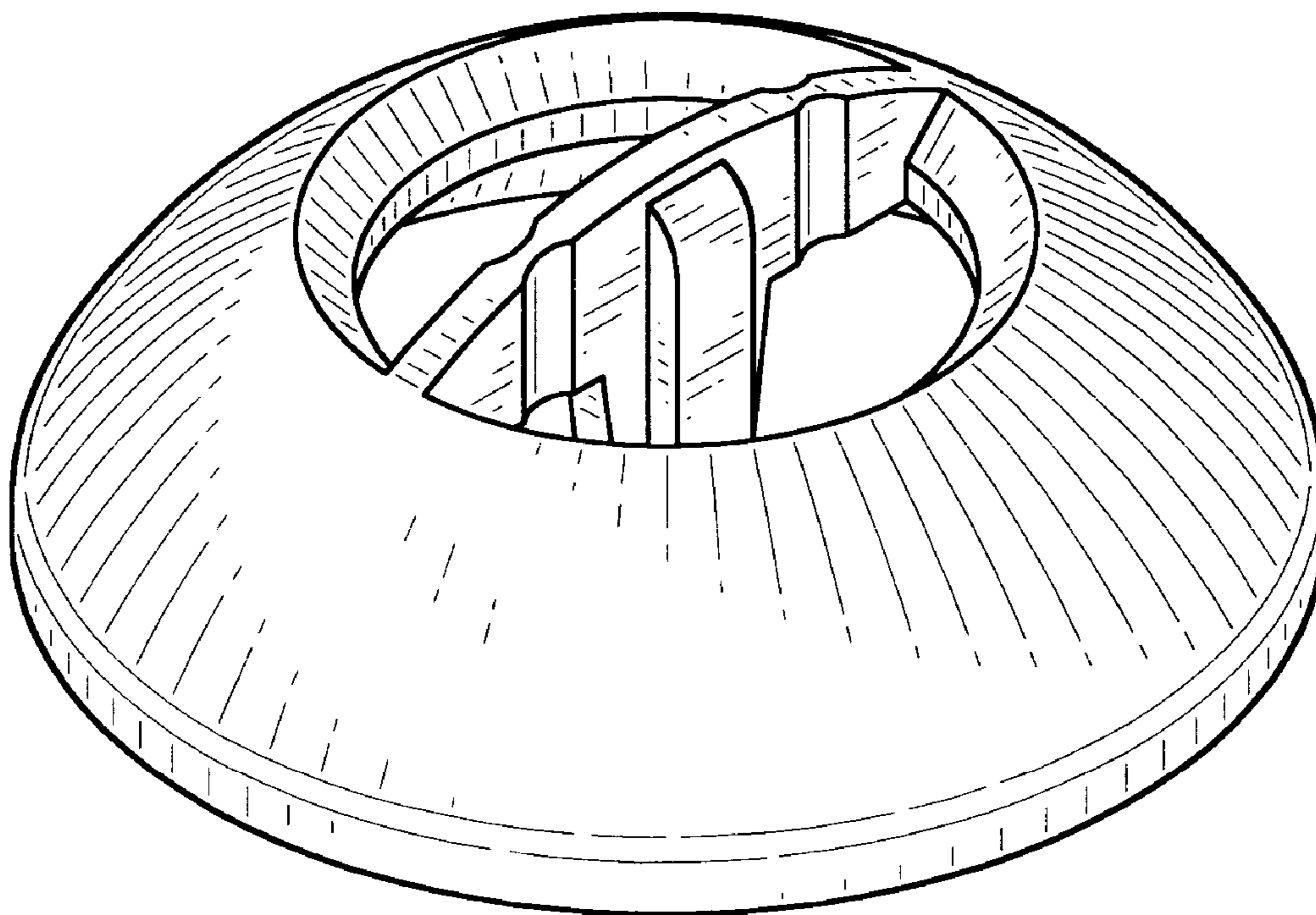
FIG. 2 is a top plan view of FIG. 1.

FIG. 3 is a bottom plan view of FIG. 2.

FIG. 4 is a front elevation of FIG. 2; and,

FIG. 5 is a right side elevation of FIG. 2.

1 Claim, 1 Drawing Sheet



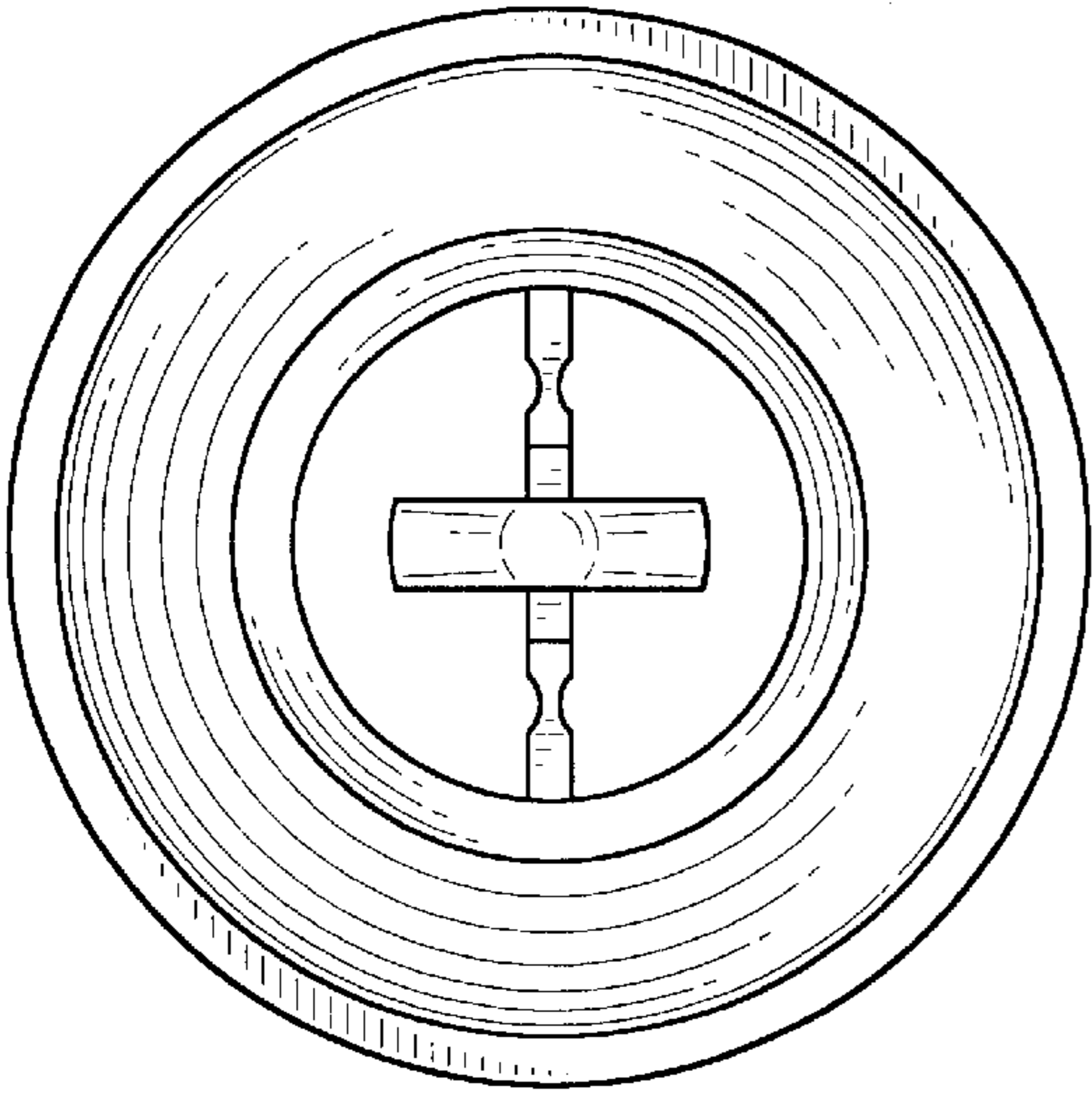


FIG-3

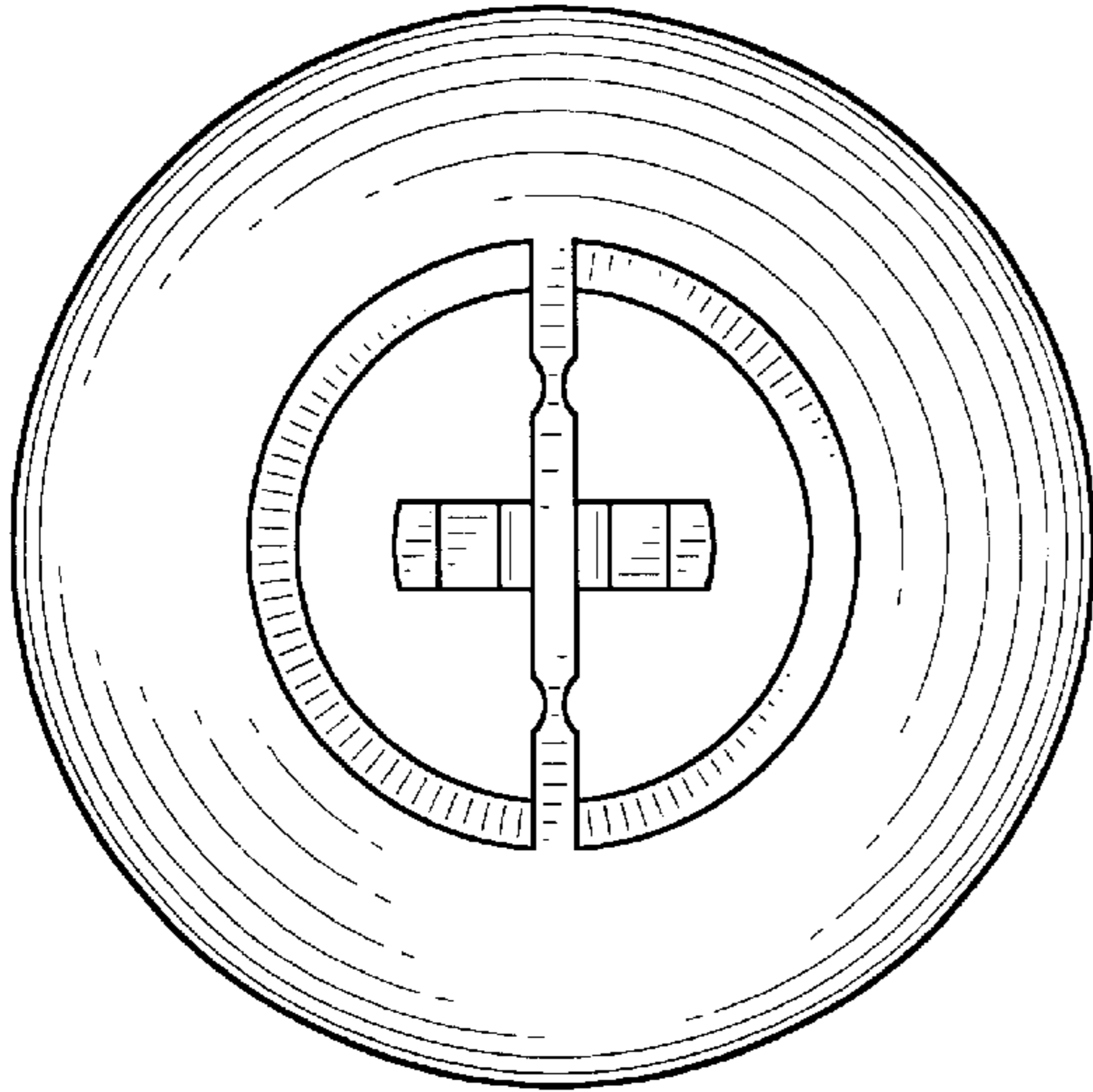


FIG-2

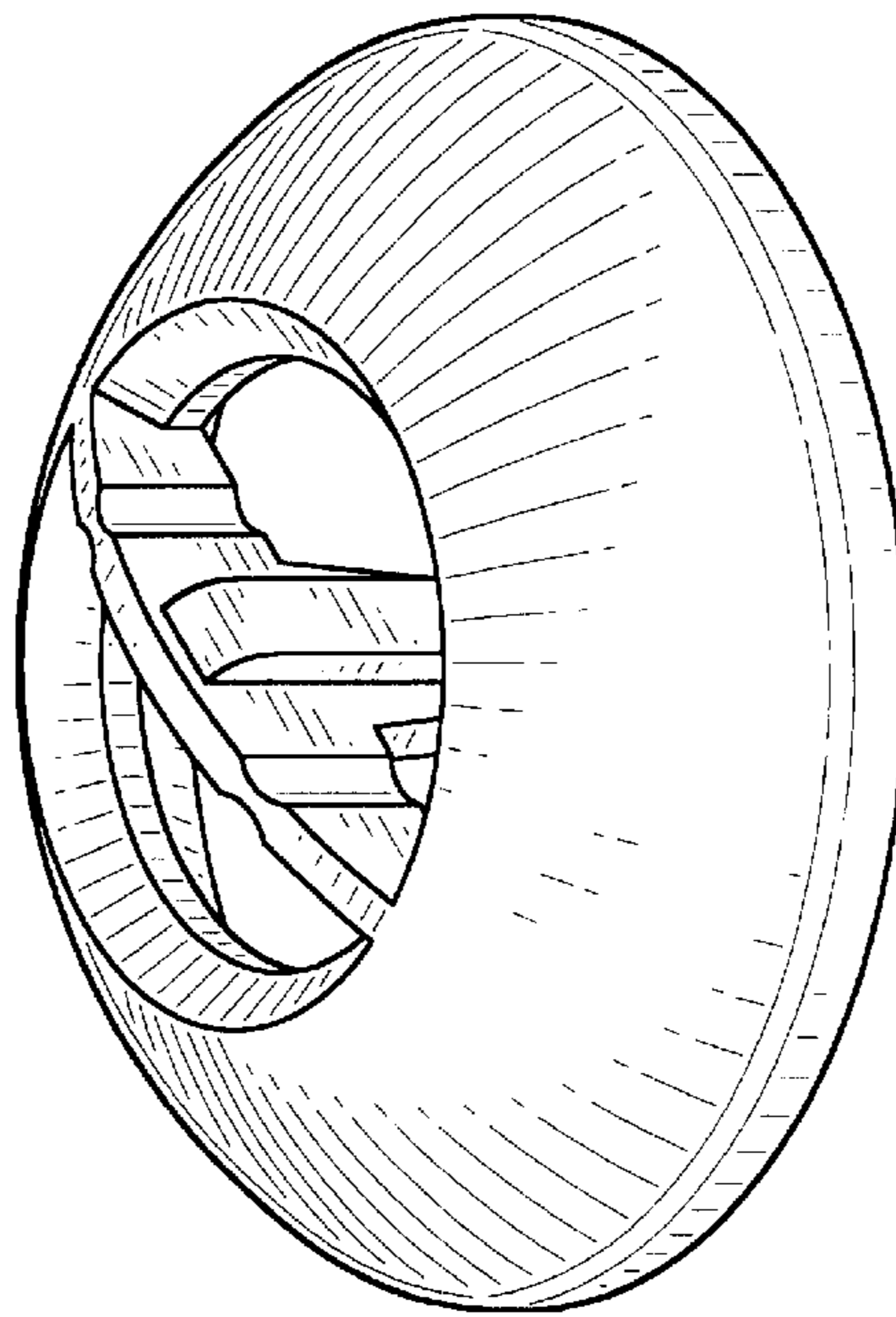


FIG-1

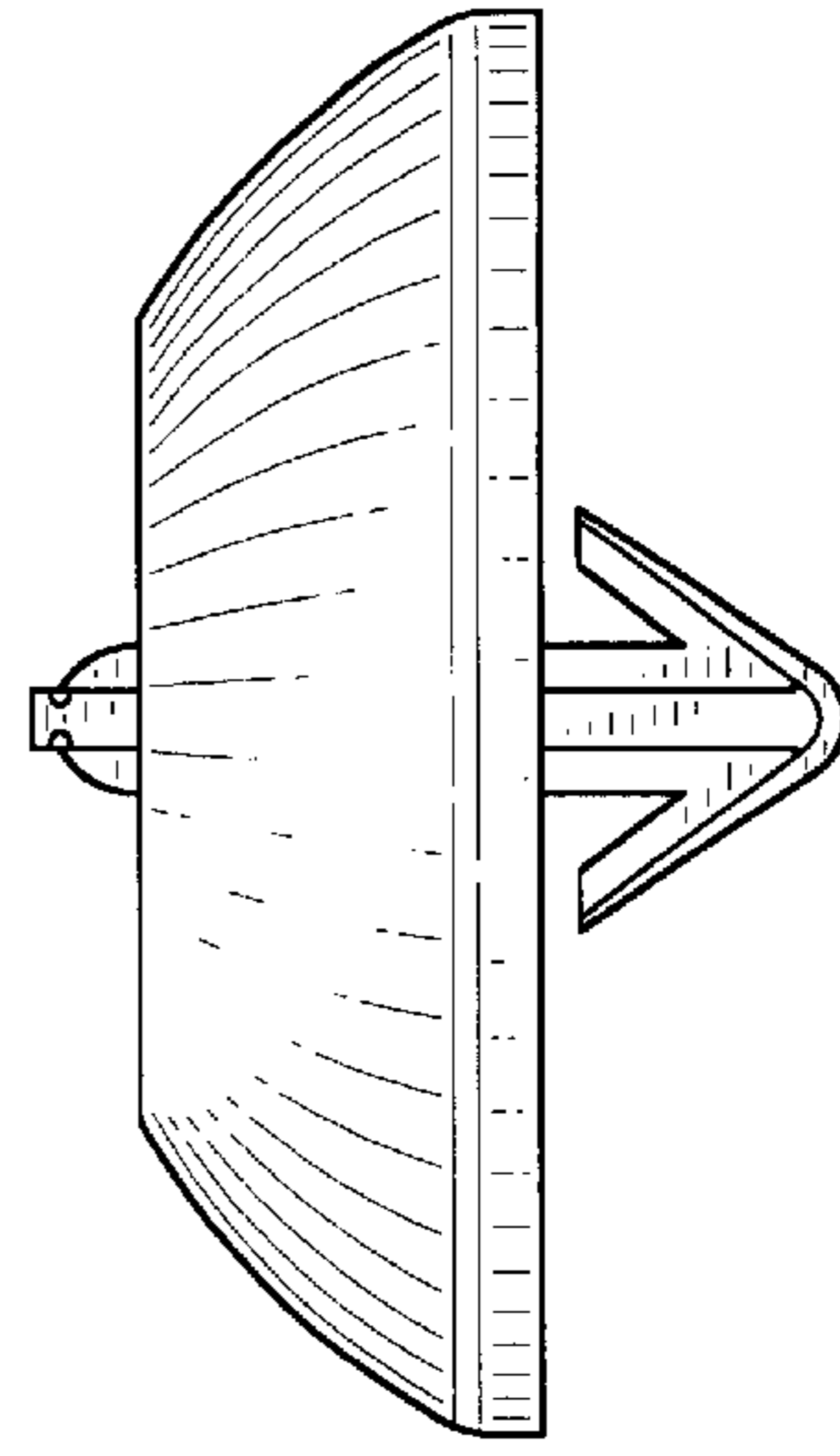


FIG-5

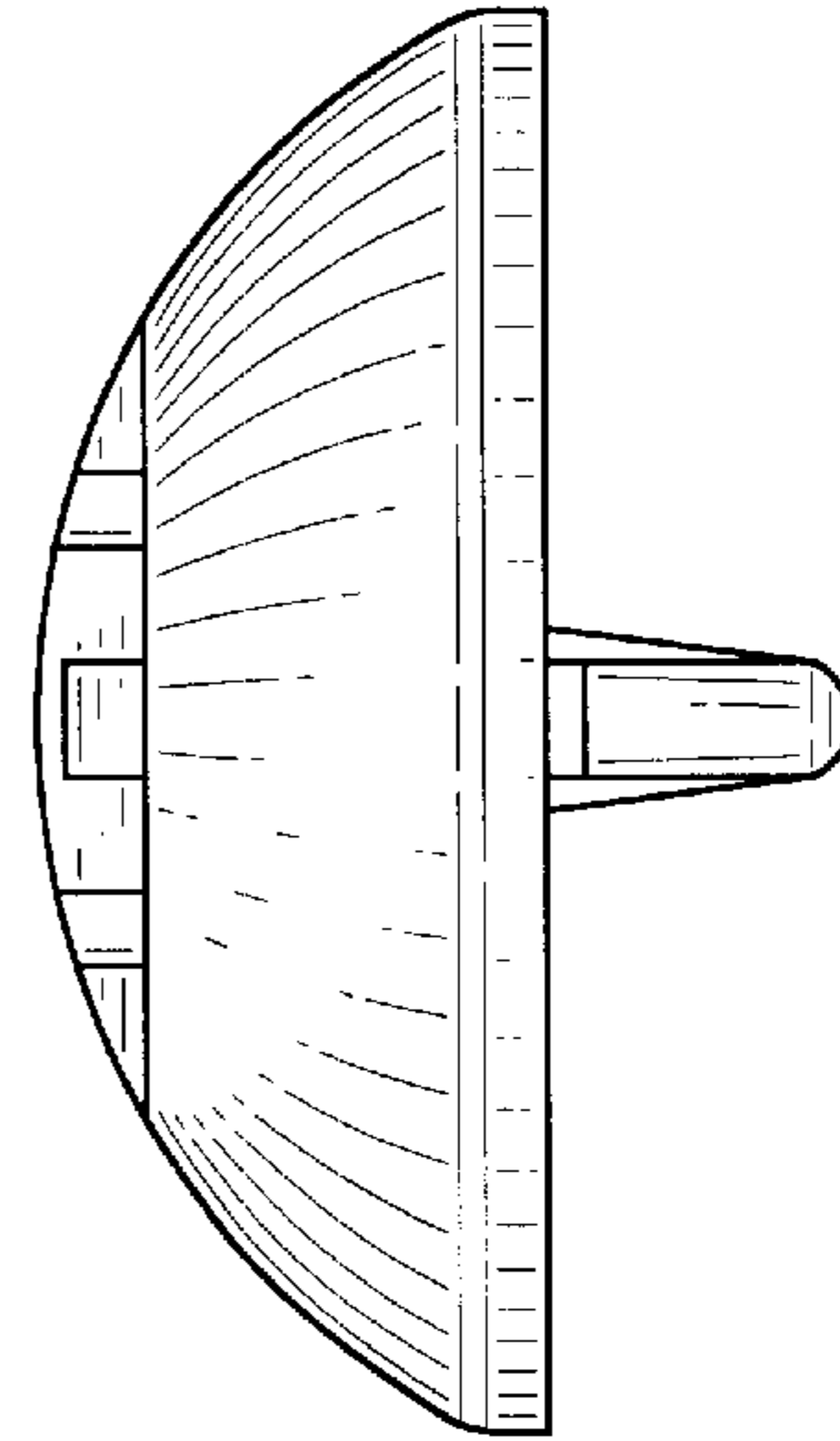


FIG-4