



US00D480088S

(12) **United States Design Patent**  
**Bakker et al.**

(10) **Patent No.:** **US D480,088 S**

(45) **Date of Patent:** **\*\* Sep. 30, 2003**

(54) **LAPTOP HOLDER**

(75) Inventors: **Willem Hendrik Bakker**, Almere  
(NL); **Jan Willem Elkhuisen**,  
Leeuwarden (NL)

(73) Assignee: **Bakker & Elkhuisen Holding B.V.**,  
Almere (NL)

(\*\*) Term: **14 Years**

(21) Appl. No.: **29/139,351**

(22) Filed: **Feb. 23, 2001**

(30) **Foreign Application Priority Data**

Aug. 25, 2000	(BX)	77424-02
Aug. 25, 2000	(BX)	77424-03
Aug. 25, 2000	(BX)	77424-04
Aug. 25, 2000	(BX)	77424-05
Aug. 25, 2000	(BX)	77424-01

(51) **LOC (7) Cl.** ..... **14-02**

(52) **U.S. Cl.** ..... **D14/447**

(58) **Field of Search** ..... D14/447, 451,  
D14/452, 432; D19/91, 92; 248/442.2, 447,  
441.1, 918; D6/474; 361/679-685

(56)

**References Cited**

**U.S. PATENT DOCUMENTS**

D298,493 S	*	11/1988	Hatcher et al.	.....	D6/474
D303,794 S	*	10/1989	Brunner	.....	D14/447
5,337,985 A	*	8/1994	Hale	.....	248/174
D358,144 S	*	5/1995	Masaaki	.....	D14/447
D378,676 S	*	4/1997	Goodman et al.	.....	D14/447
D395,640 S	*	6/1998	Goodman et al.	.....	D14/447
D437,600 S	*	2/2001	Calfee	.....	D14/447

\* cited by examiner

*Primary Examiner*—Kay H. Chin

(74) *Attorney, Agent, or Firm*—Merchant & Gould, P.C.

(57)

**CLAIM**

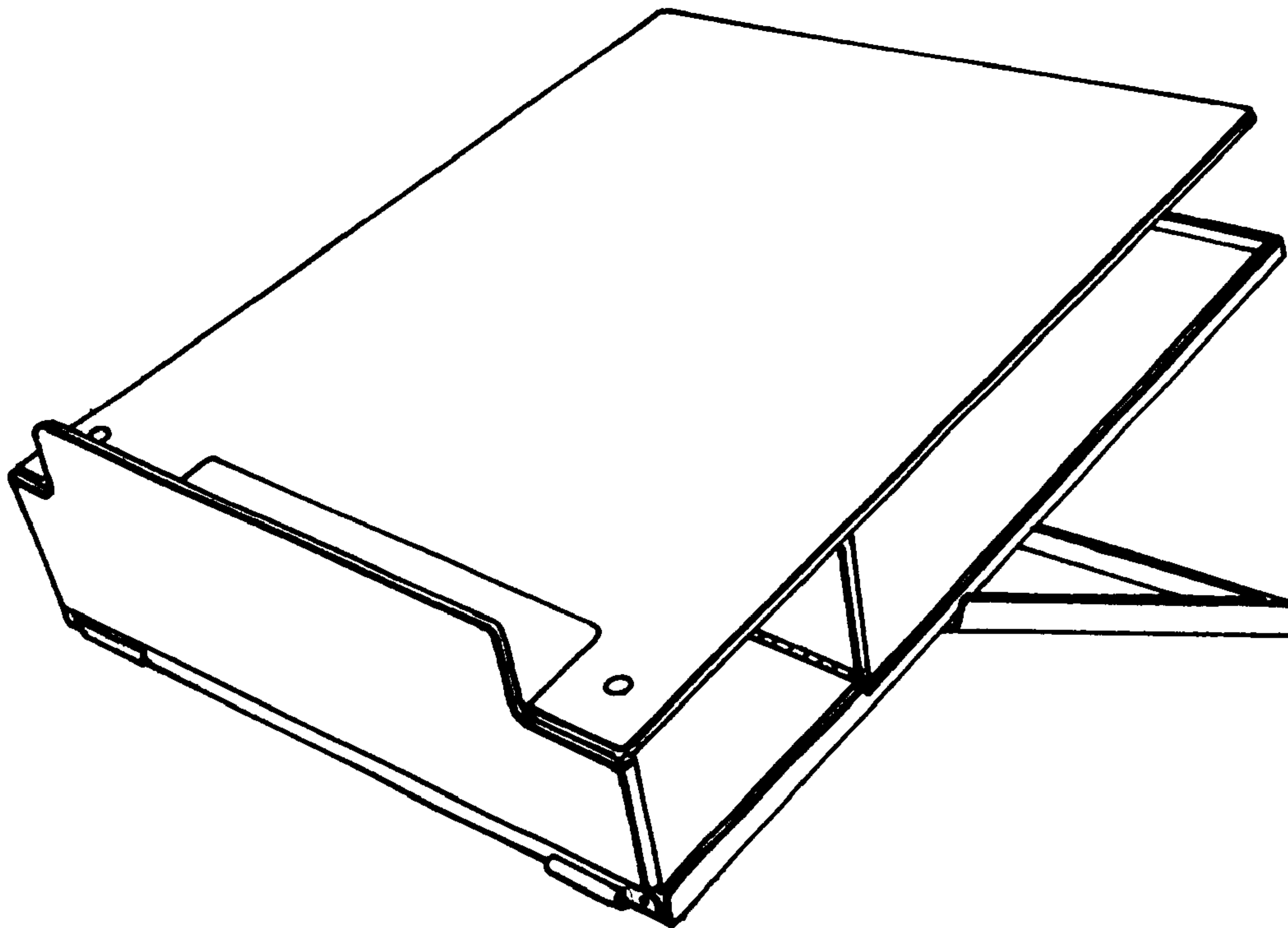
The ornamental design for a laptop holder, as shown and described.

**DESCRIPTION**

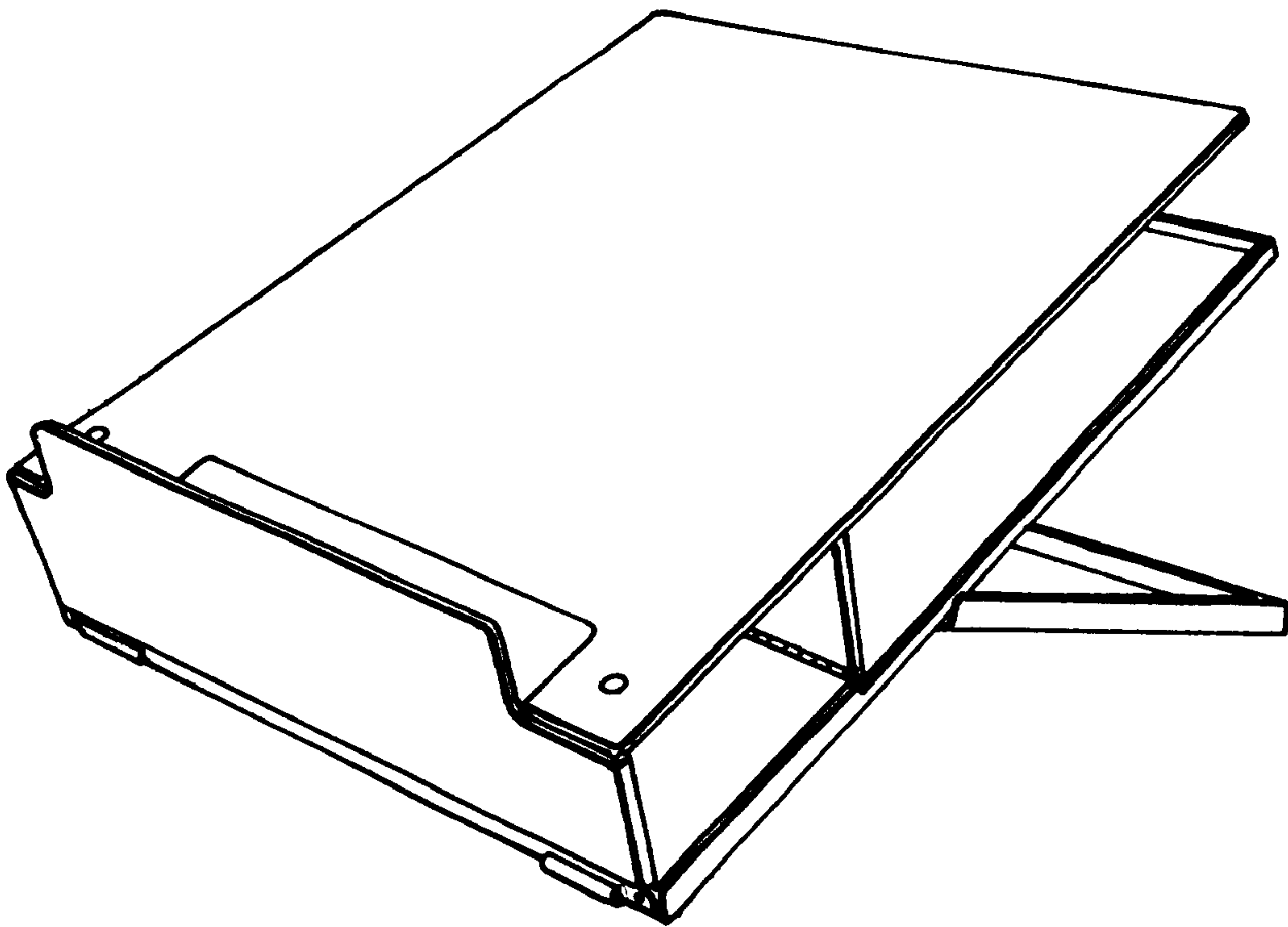
FIG. 1 is a front top left side perspective view of a laptop holder; and,

FIG. 2 is a top rear left side perspective thereof.

**1 Claim, 2 Drawing Sheets**



**FIG. 1**



**FIG. 2**

