



US00D480086S

(12) **United States Design Patent**
Searby et al.

(10) **Patent No.:** **US D480,086 S**

(45) **Date of Patent:** **** Sep. 30, 2003**

(54) **COMPUTER WORKSTATION**

(75) Inventors: **Tom J. Searby**, Greeley, CO (US);
Sean William Tucker, Loveland, CO (US)

(73) Assignee: **Hewlett-Packard Company**, Palo Alto, CA (US)

(**) Term: **14 Years**

(21) Appl. No.: **29/152,667**

(22) Filed: **Dec. 21, 2001**

(51) **LOC (7) Cl.** **14-02**

(52) **U.S. Cl.** **D14/444**

(58) **Field of Search** D14/361-363,
D14/348, 356, 368, 441-446; D13/162,
184, 199; 312/223.1-223.3; 360/99.01-99.12;
361/690-696; 369/34.01, 36.01

(56) **References Cited**

U.S. PATENT DOCUMENTS

D309,448 S	*	7/1990	Aderman et al.	D14/368
D316,546 S	*	4/1991	Pedinielli et al.	D14/242
D350,333 S	*	9/1994	Sharp	D14/355
D400,198 S	*	10/1998	Fu	D14/444

* cited by examiner

Primary Examiner—Freda Nunn

(57) **CLAIM**

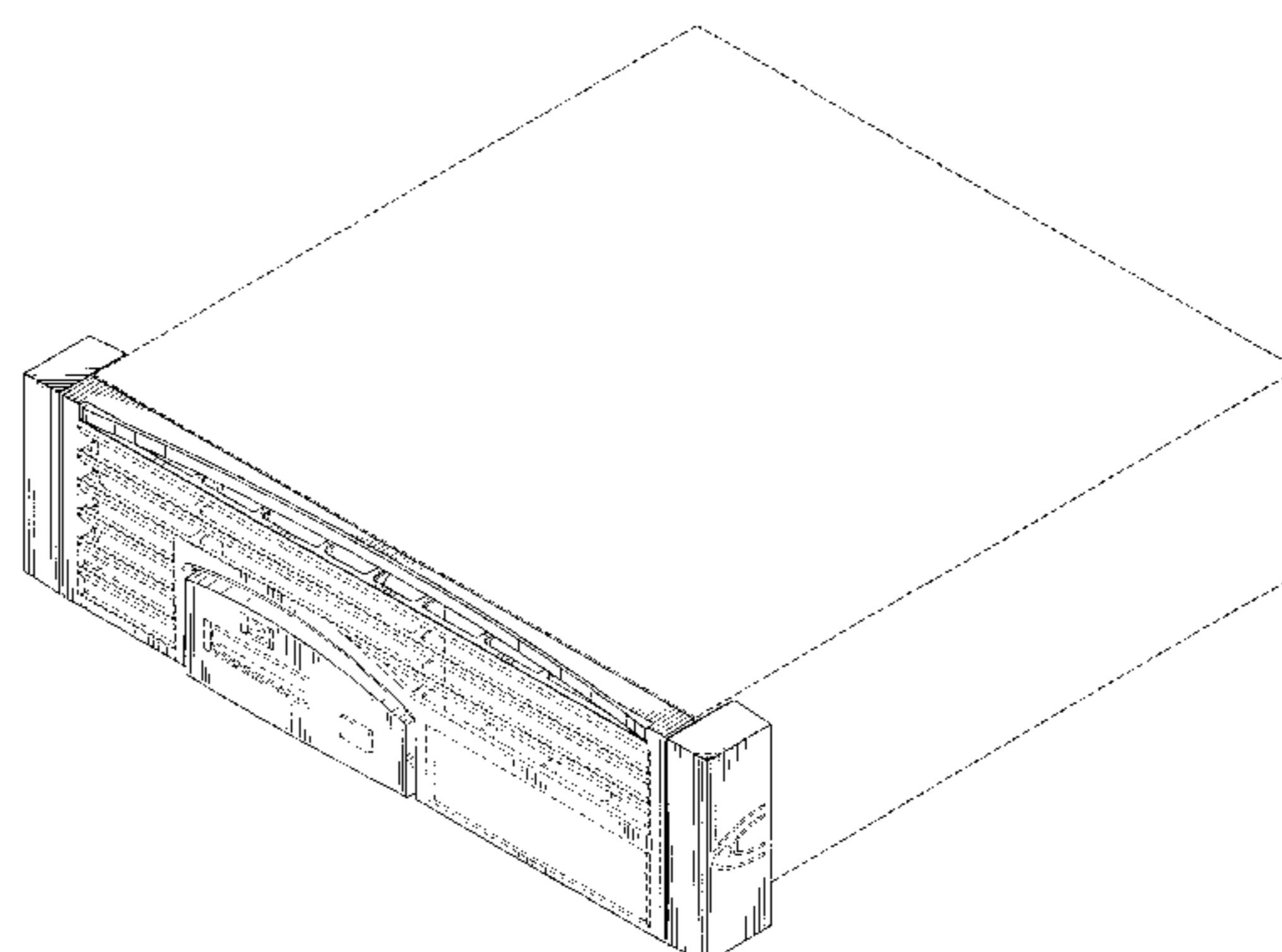
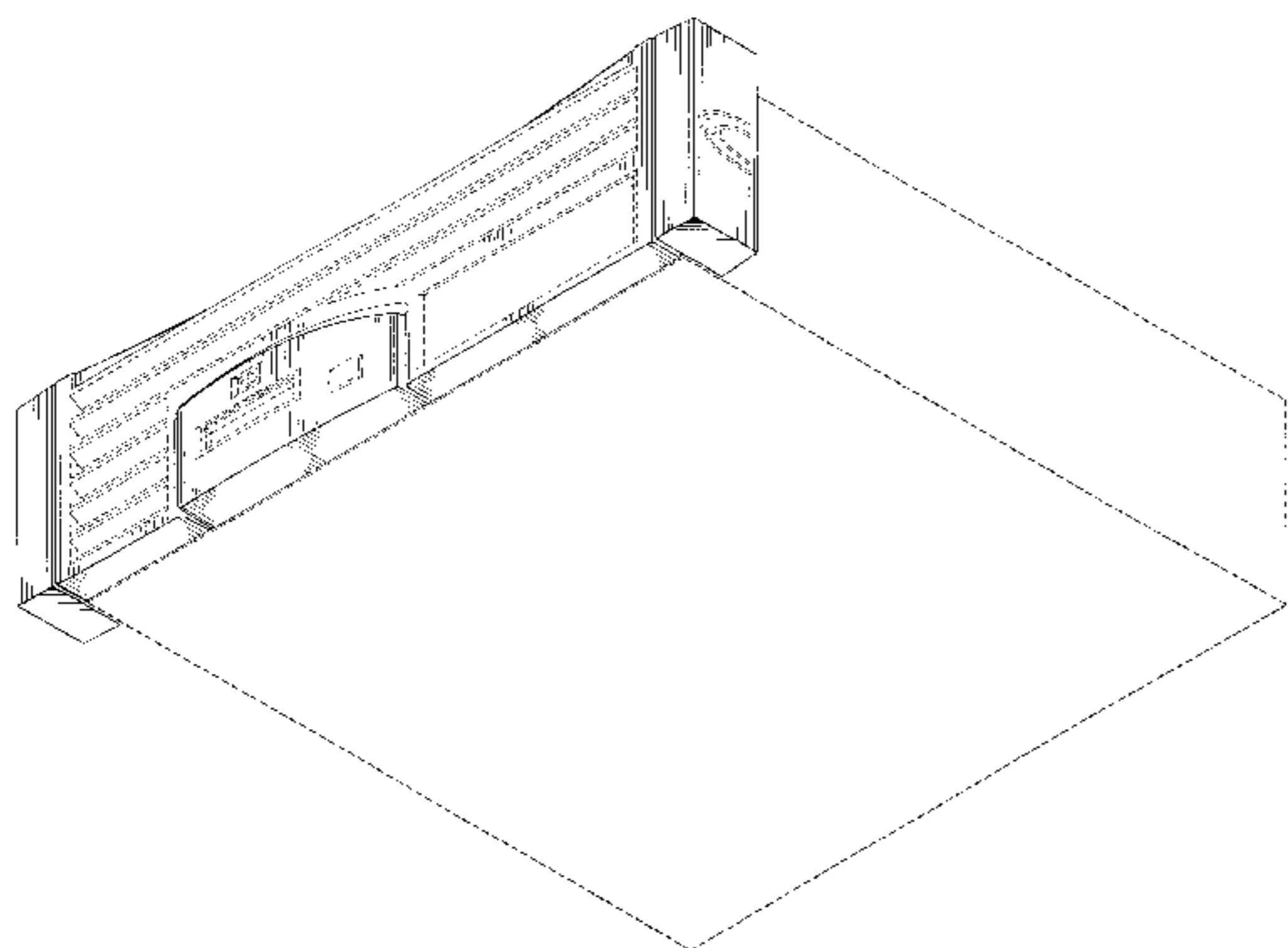
The ornamental design for a computer workstation, as shown and described.

DESCRIPTION

FIG. 1 is an isometric view showing the front, left and top sides of a computer workstation;
FIG. 2 is an elevation view showing the front thereof;
FIG. 3 is an elevation view showing the left side thereof;
FIG. 4 is an elevation view showing the back thereof;
FIG. 5 is a elevation view showing the right side thereof;
FIG. 6 is a top plan view thereof;
FIG. 7 is a bottom plan view thereof; and,
FIG. 8 is an isometric view showing the front, bottom and left sides thereof.

It should be understood that the descriptions used herein for describing orientation (e.g., front, back, top, bottom, right, and left) are merely for reference, and the design may be disposed in any manner and still be within the scope of the present invention. It should also be understood that the elements shown in phantom lines herein are for illustrative purposes only (e.g., to illustrate the environment in which the design may be implemented) and form no part of the claimed design, and the elements shown in uniformly dashed lines illustrate optional elements which may be included in various alternative embodiments of the design.

1 Claim, 5 Drawing Sheets



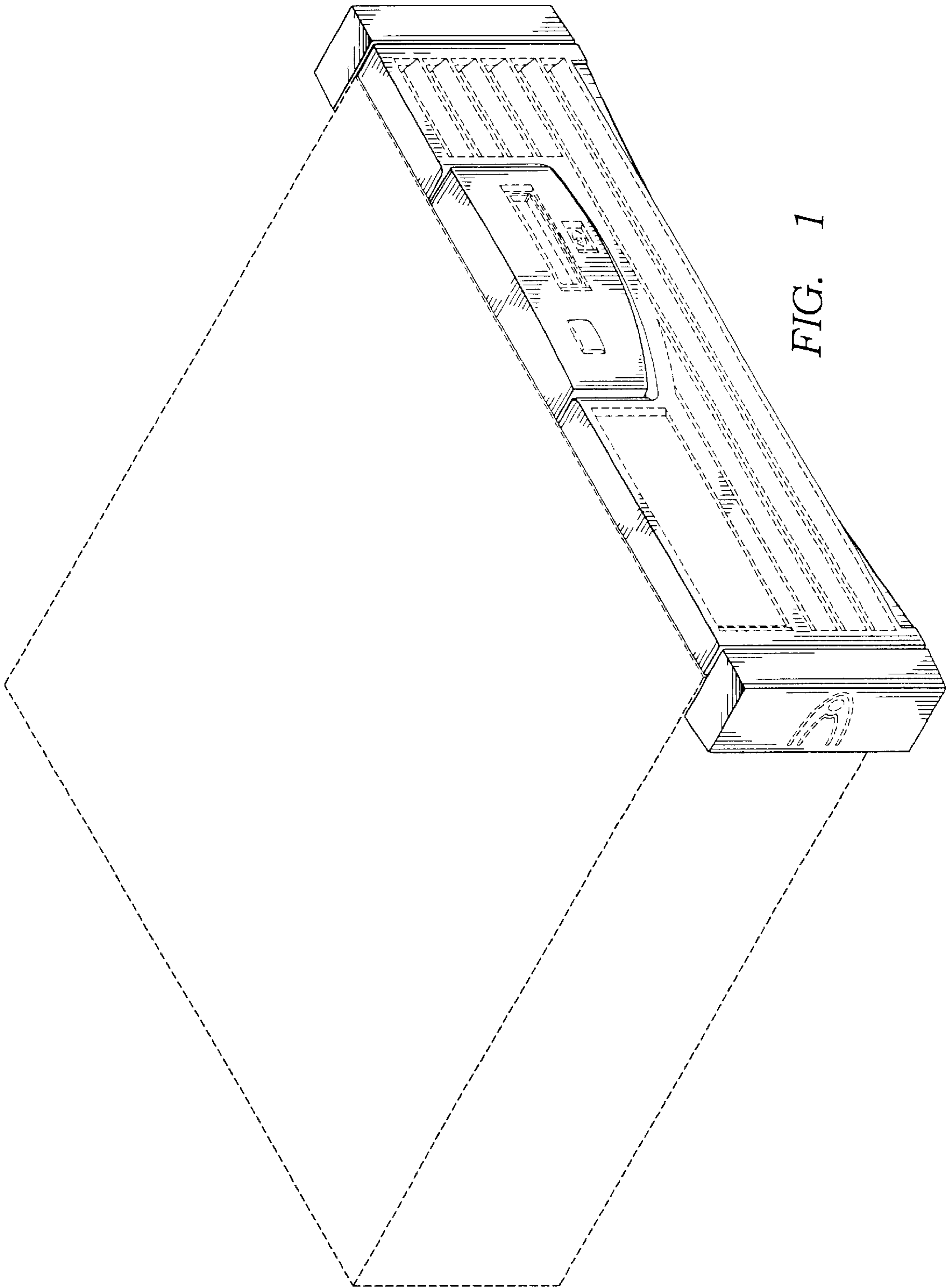


FIG. 1

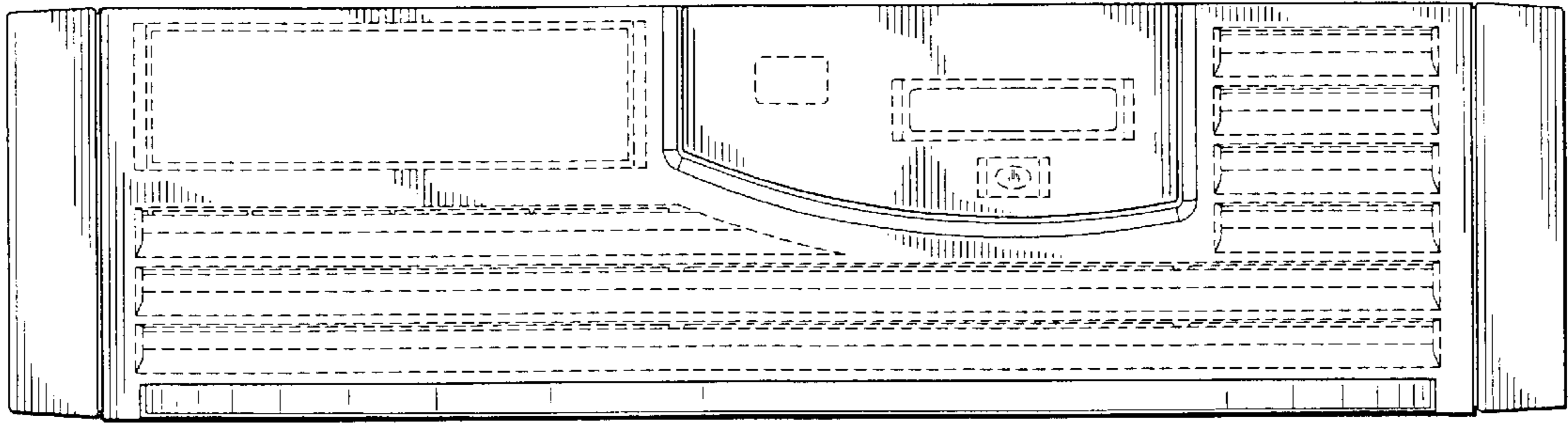


FIG. 2

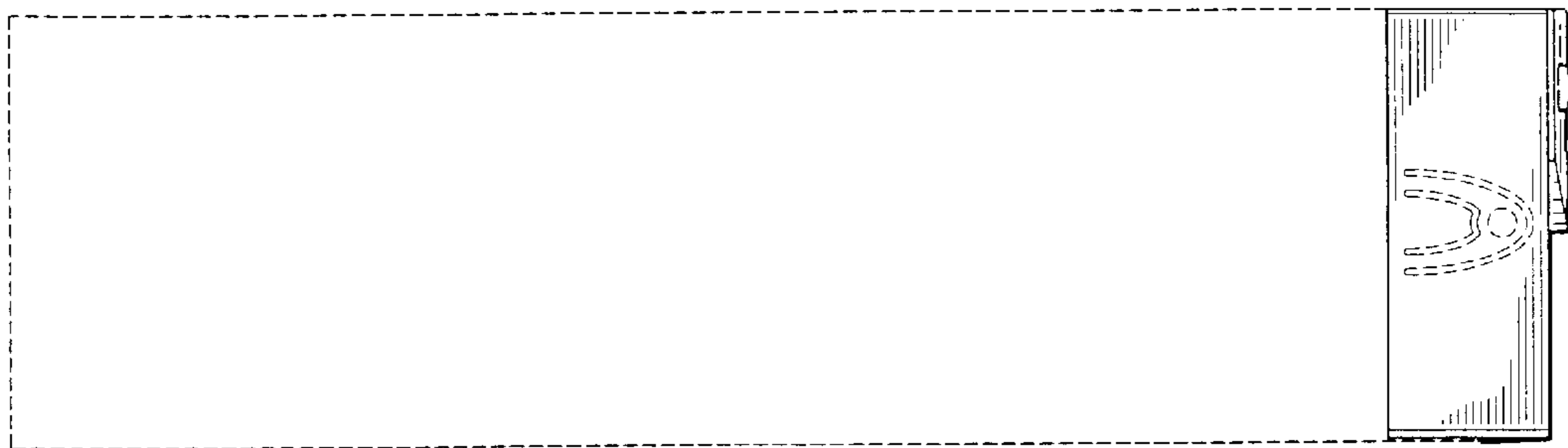


FIG. 3

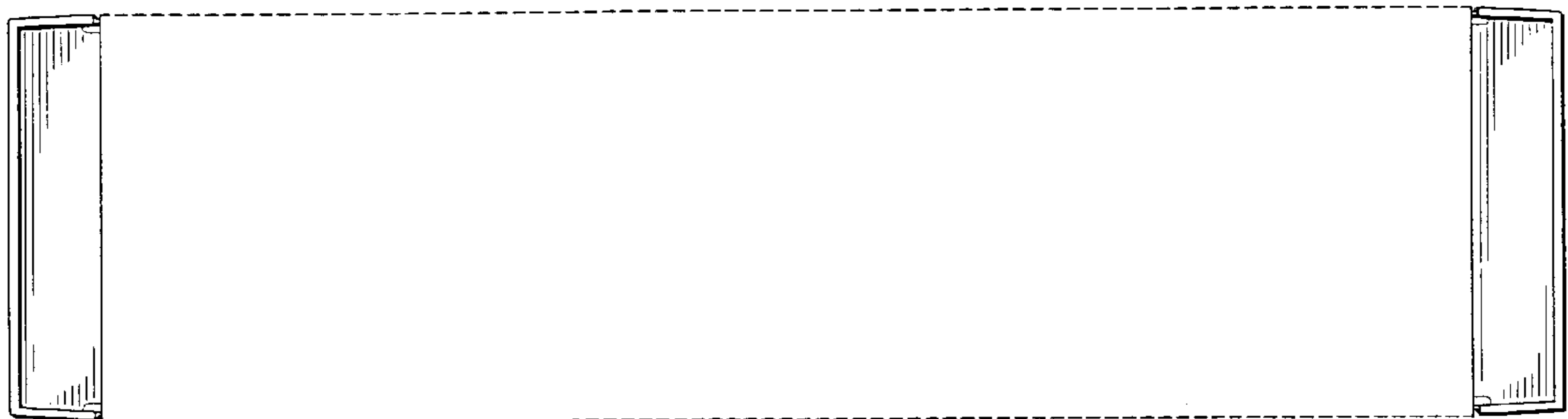


FIG. 4

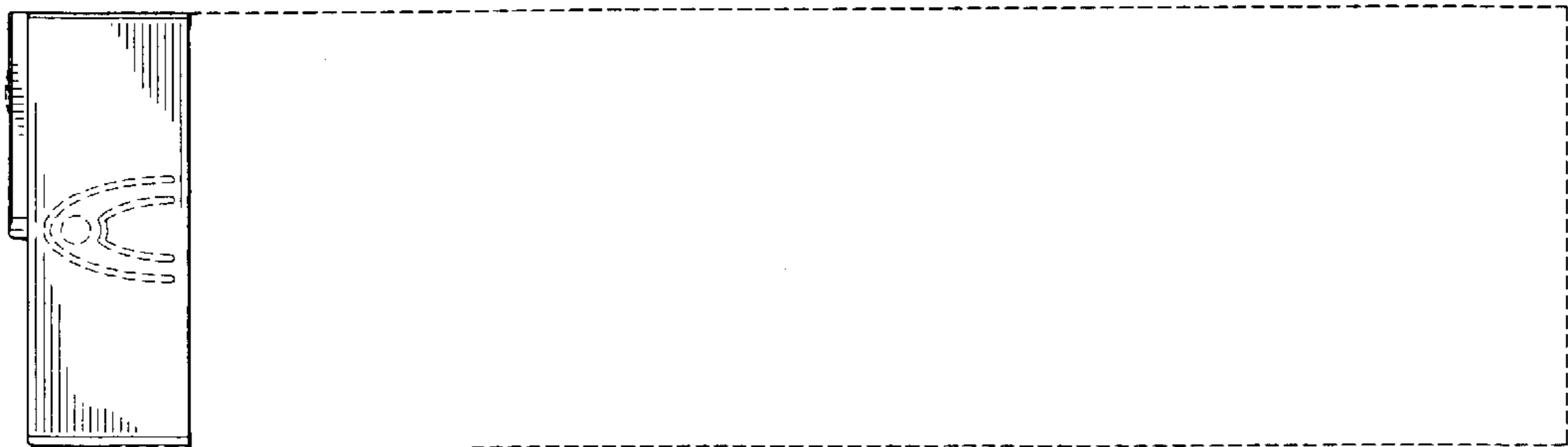


FIG. 5

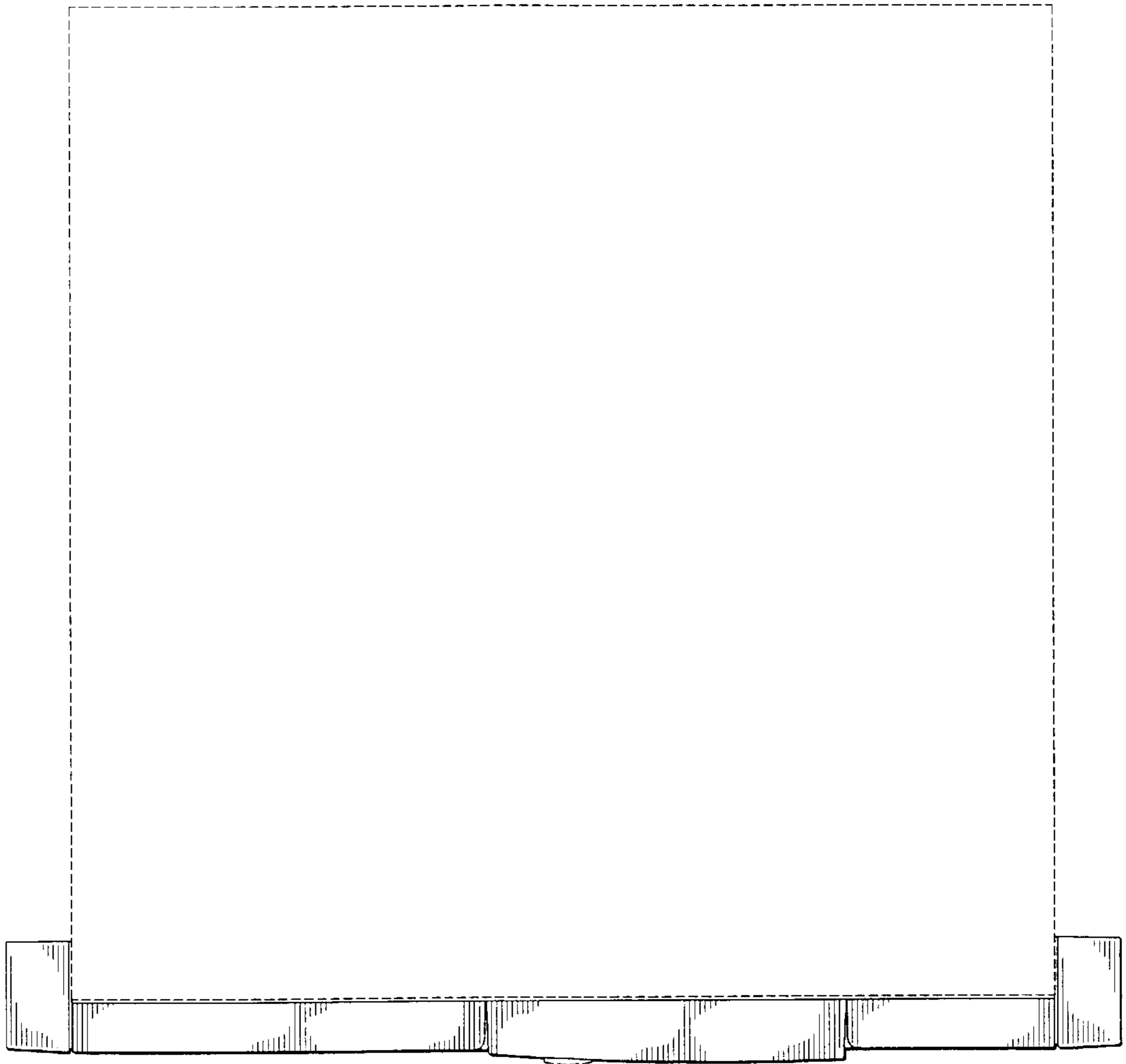


FIG. 6

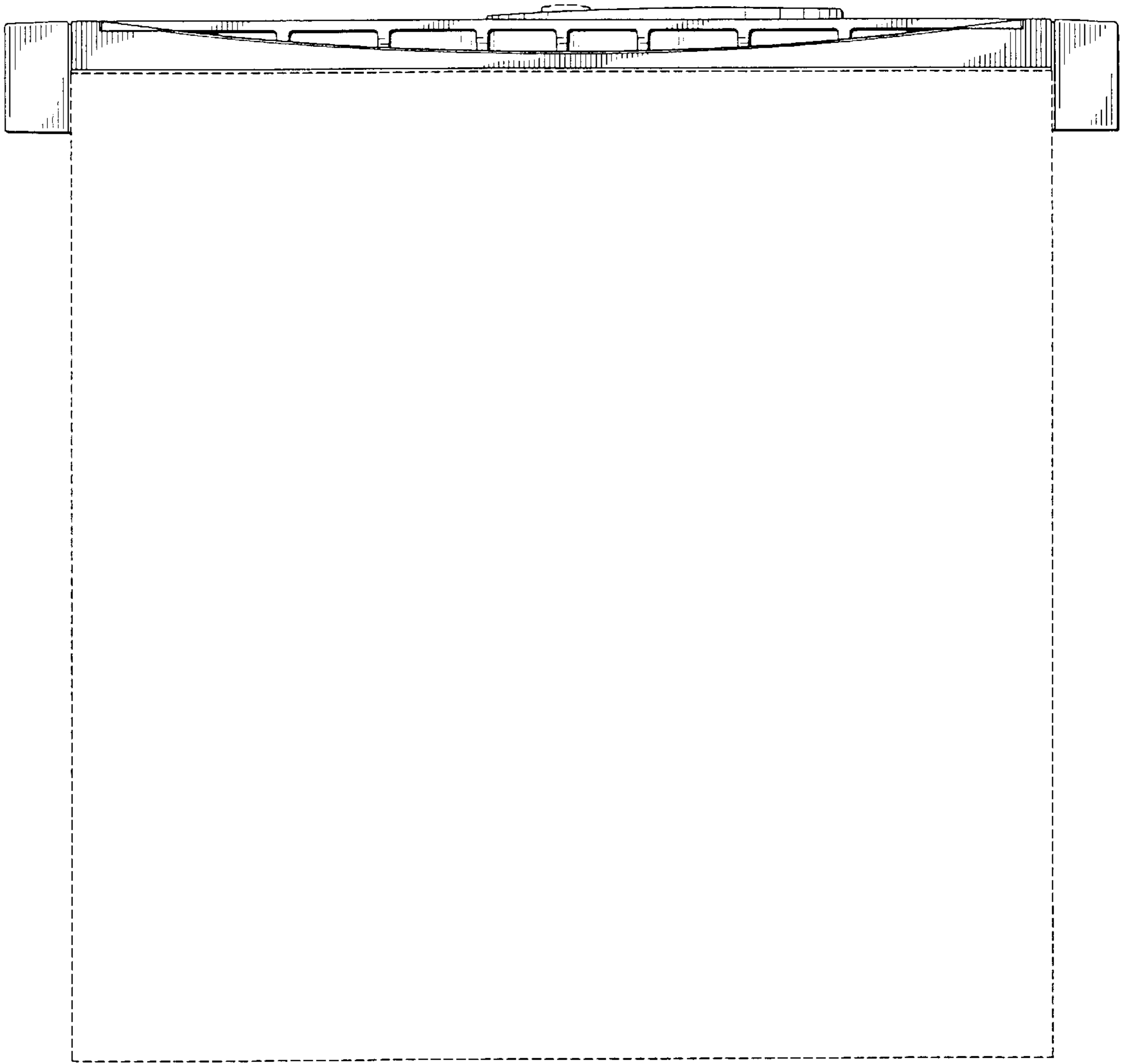


FIG. 7

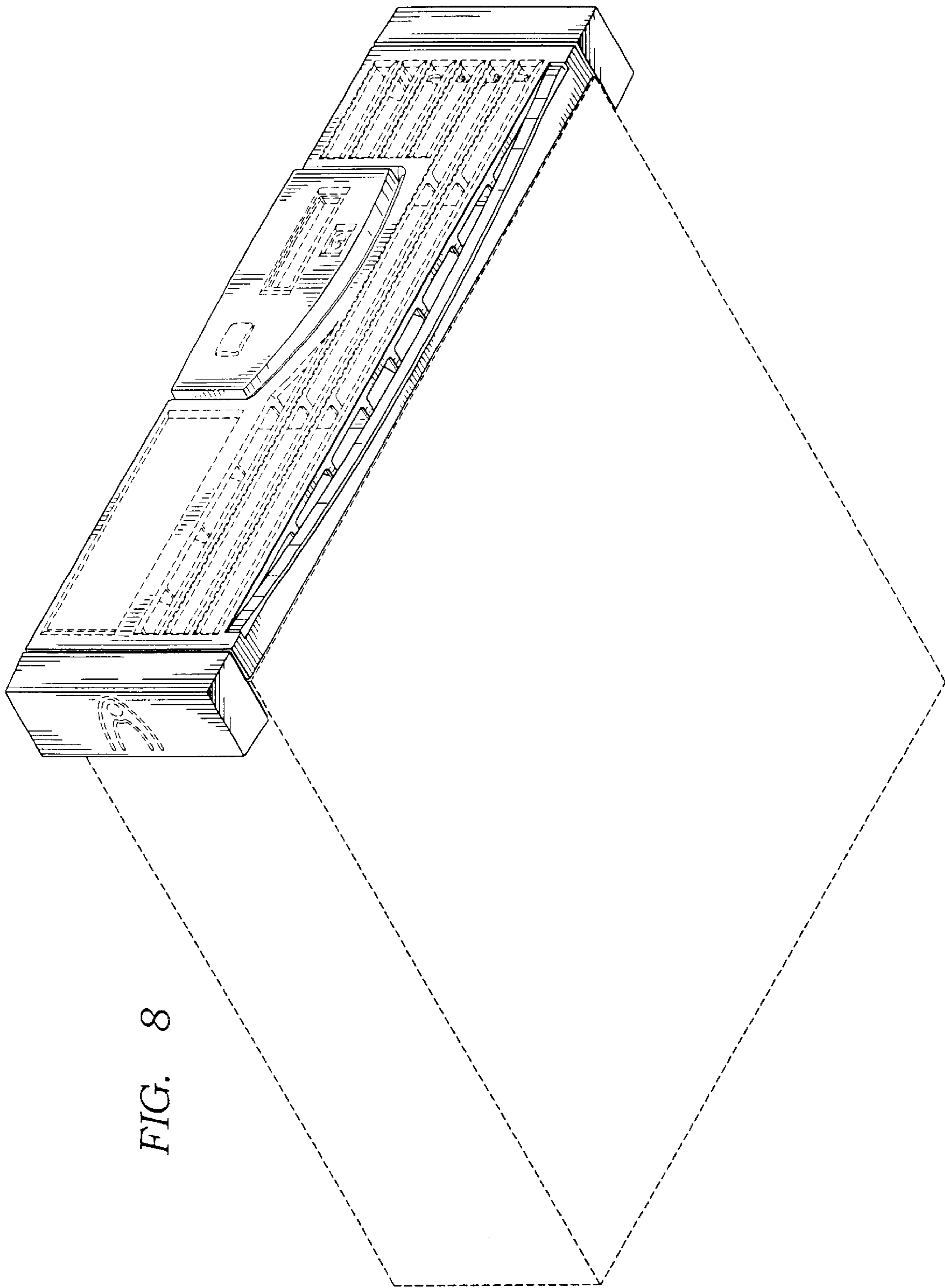


FIG. 8