



US00D480085S

(12) **United States Design Patent**
Khovaylo et al.

(10) **Patent No.:** **US D480,085 S**

(45) **Date of Patent:** **** Sep. 30, 2003**

(54) **OPTICAL SCANNER**

(75) Inventors: **Modest Khovaylo**, Fort Collins, CO (US); **Allen Zadeh**, Brooklyn, NY (US)

(73) Assignee: **Hewlett-Packard Development Company, L.P.**, Houston, TX (US)

(**) Term: **14 Years**

(21) Appl. No.: **29/173,270**

(22) Filed: **Dec. 23, 2002**

Related U.S. Application Data

(63) Continuation of application No. 29/151,300, filed on Dec. 7, 2001, now abandoned.

(51) **LOC (7) Cl.** **14-02**

(52) **U.S. Cl.** **D14/425**

(58) **Field of Search** D14/424, 425, D14/453, 464; D18/36, 37, 39; 250/556; 235/470, 476, 483, 441; 355/64, 65, 75

(56) **References Cited**

U.S. PATENT DOCUMENTS

- D303,660 S * 9/1989 Yamagiwa et al. D14/425
- D391,930 S * 3/1998 Cheng-Yung D14/425
- D433,415 S * 11/2000 Itakura D14/425

OTHER PUBLICATIONS

Declaration of Lisa Coen and attachment (15 pages).

* cited by examiner

Primary Examiner—Freda Nunn

(57) **CLAIM**

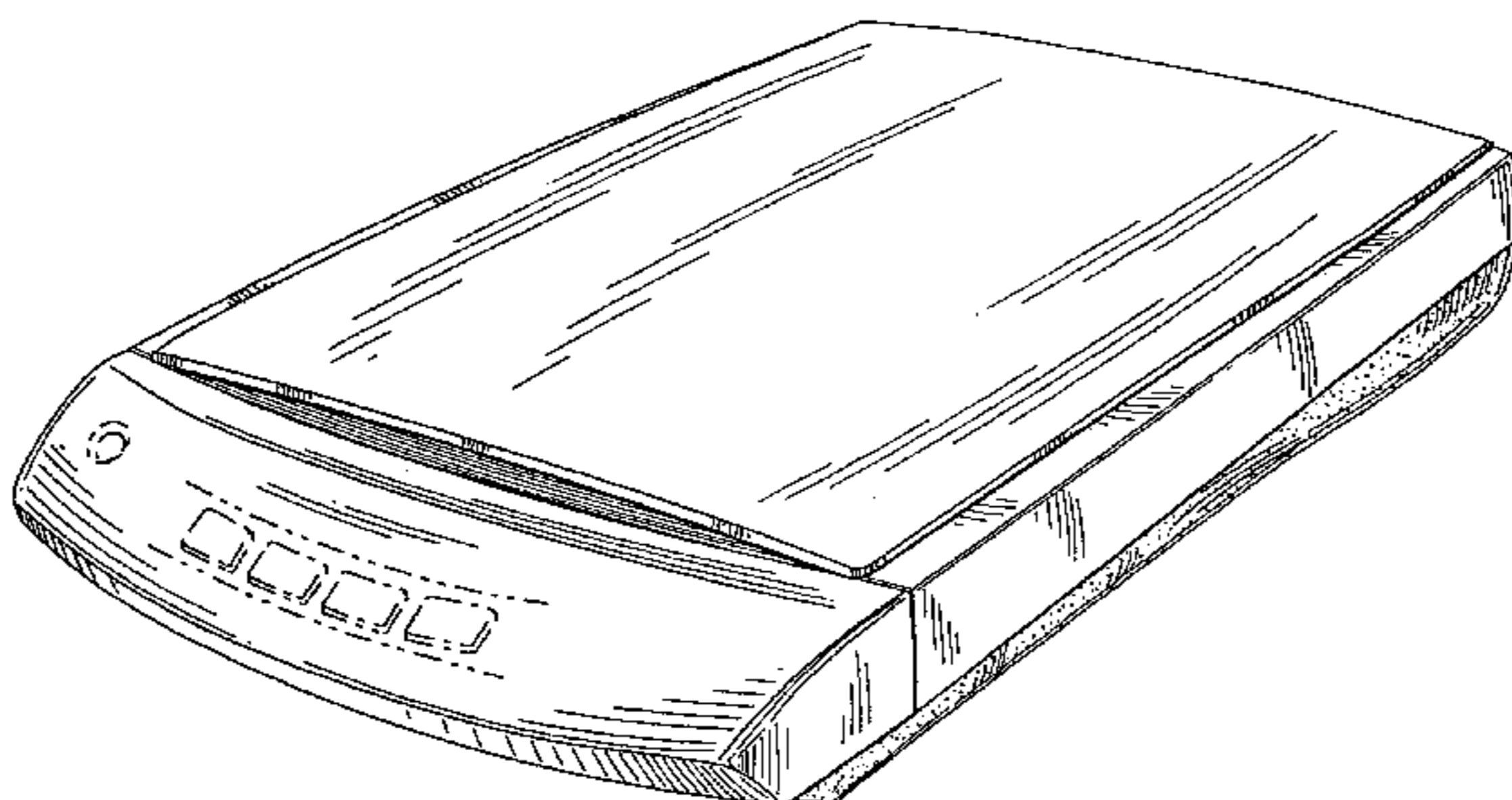
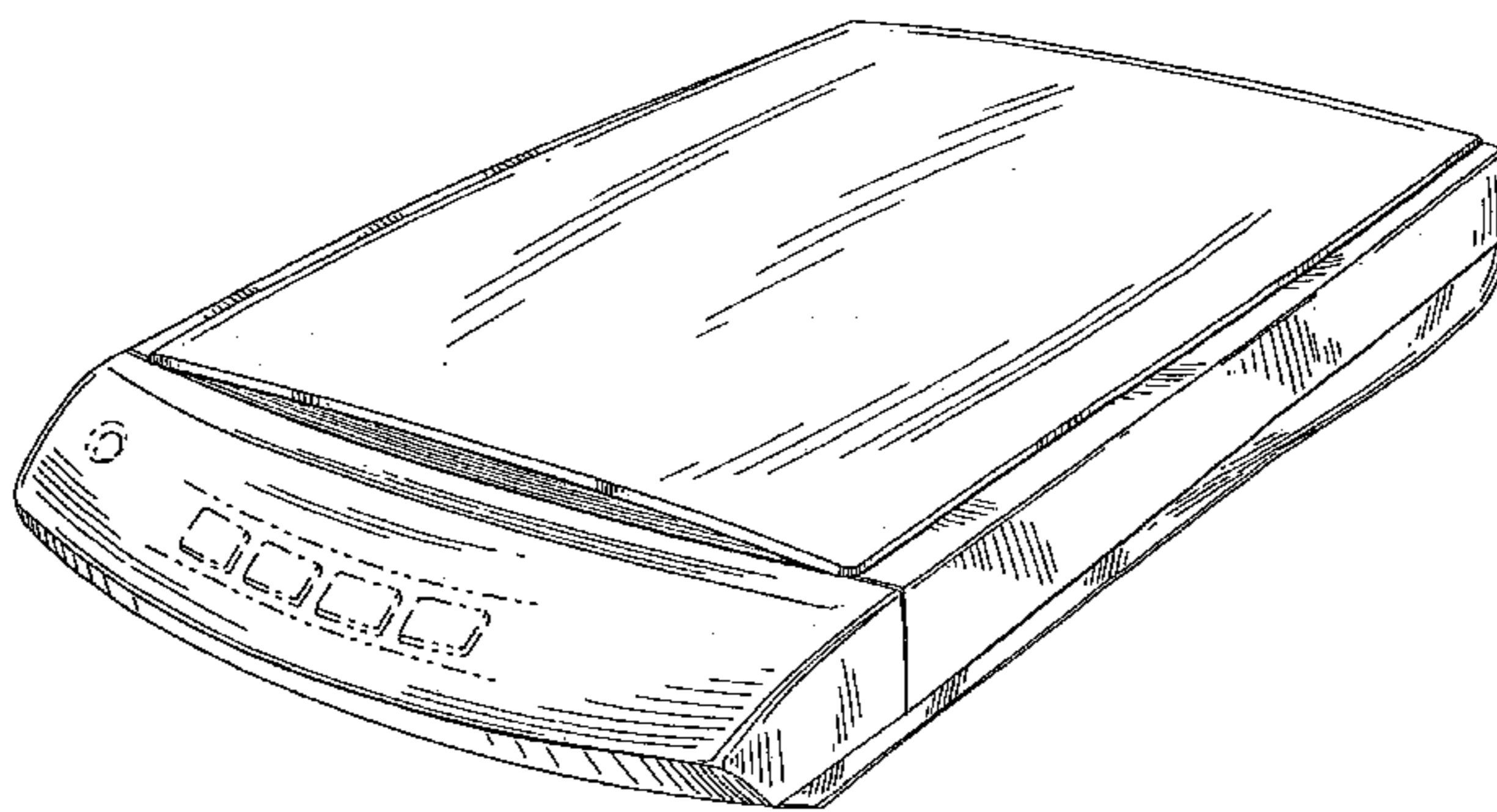
The ornamental design for an optical scanner, as shown and described.

DESCRIPTION

FIG. 1 is a top plan view of an optical scanner; FIG. 2 is a bottom plan view thereof; FIG. 3 is a right side elevation view thereof; FIG. 4 is a left side elevation view thereof; FIG. 5 is a front elevation view thereof; FIG. 6 is a rear elevation view thereof; FIG. 7 is a top right perspective view thereof; FIG. 8 is a bottom right perspective view thereof; FIG. 9 is a top plan view of a second embodiment of an optical scanner thereof; FIG. 10 is a bottom plan view of the second embodiment; FIG. 11 is a right side elevation view of the second embodiment; FIG. 12 is a left side elevation view of the second embodiment; FIG. 13 is a front elevation view of the second embodiment; FIG. 14 is a rear elevation view of the second embodiment; FIG. 15 is a top right perspective view of the second embodiment; and, FIG. 16 is a bottom right perspective view of the second embodiment.

In FIGS. 10–16 the areas including stipple shading have a different contrasting color as compared to the areas that do not include stipple shading. Features shown in dashed lines in the drawing figures form no part of the claimed design of the particular embodiment shown in the subject drawing figures.

1 Claim, 12 Drawing Sheets



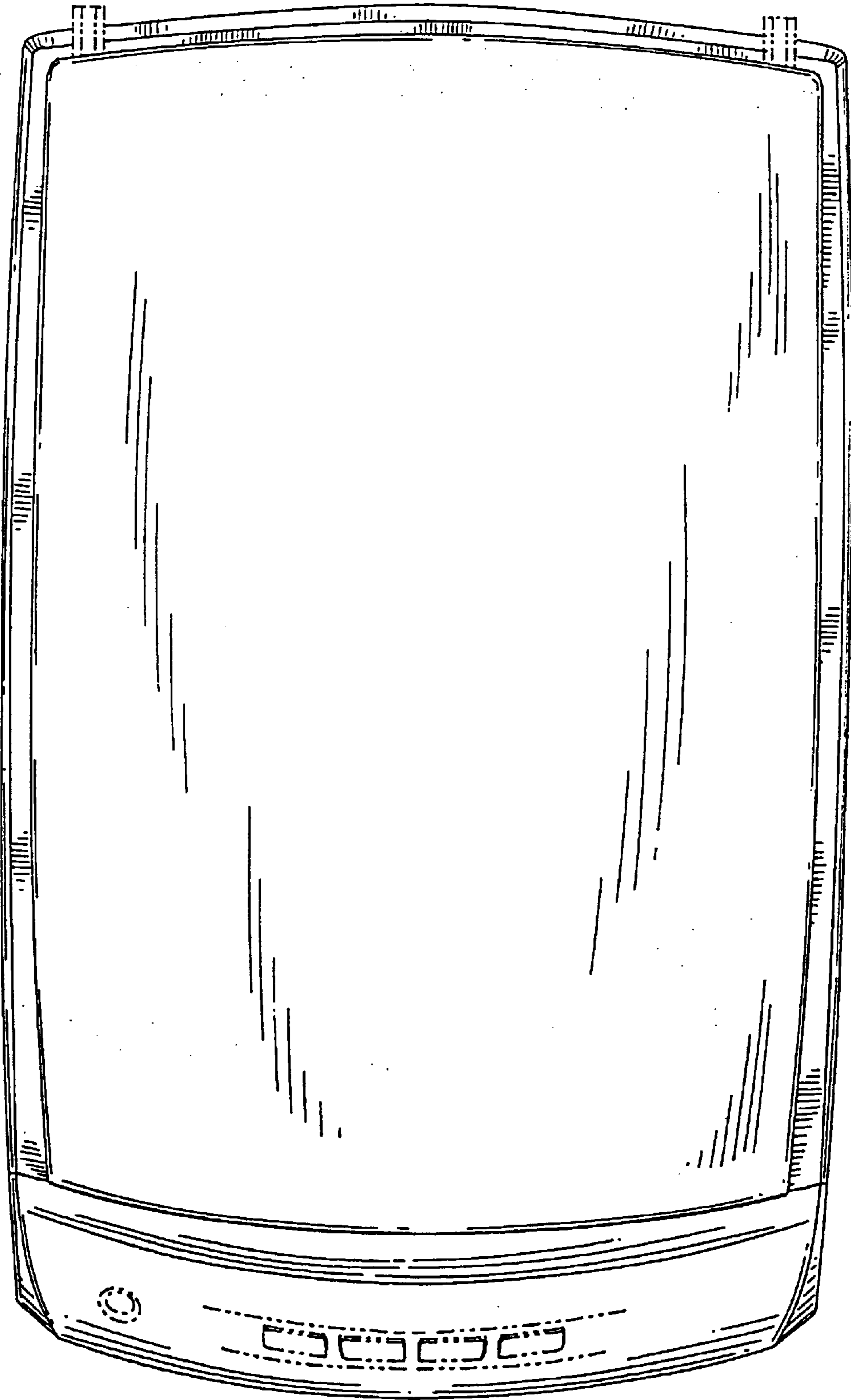


FIG. 1

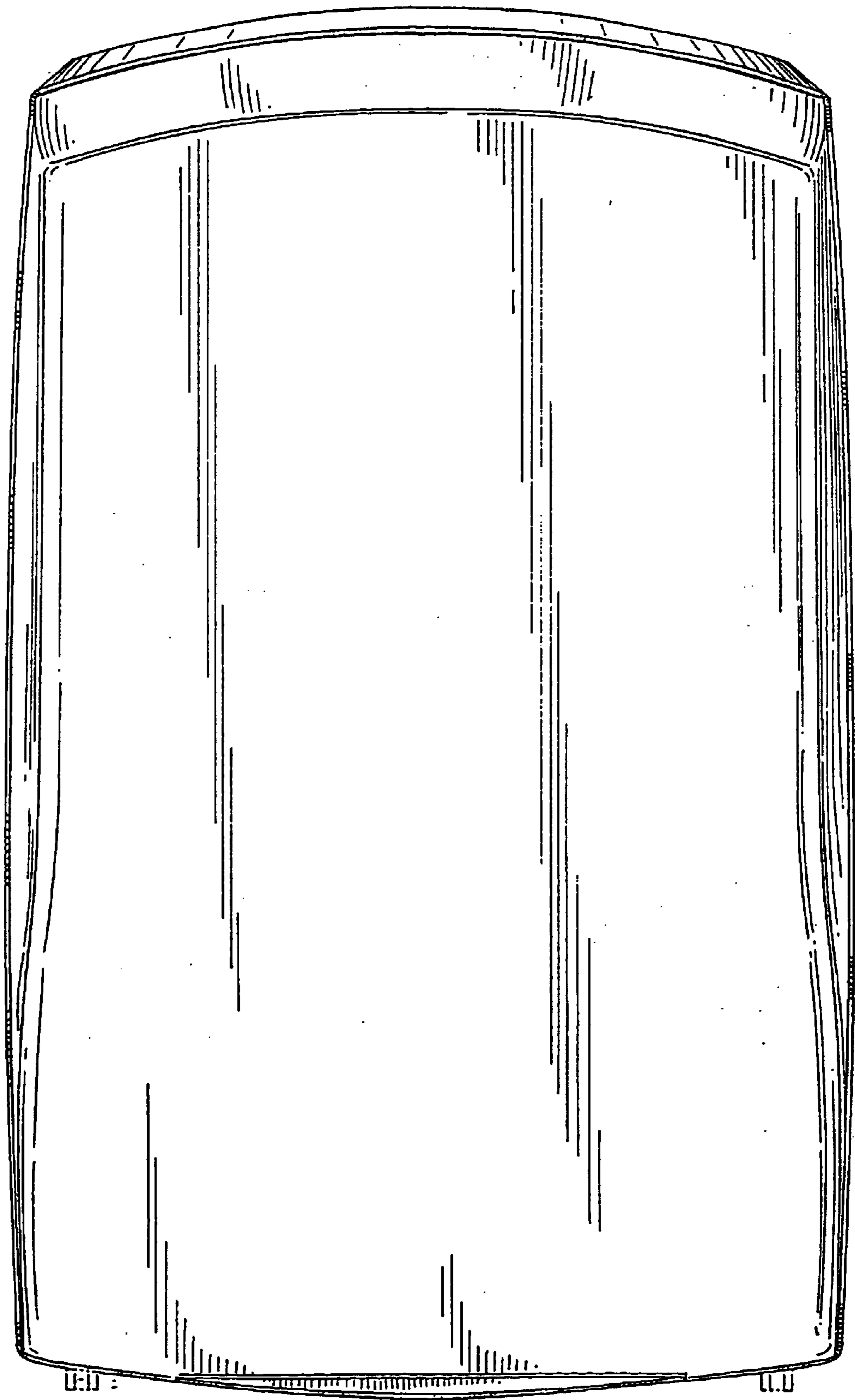


FIG. 2

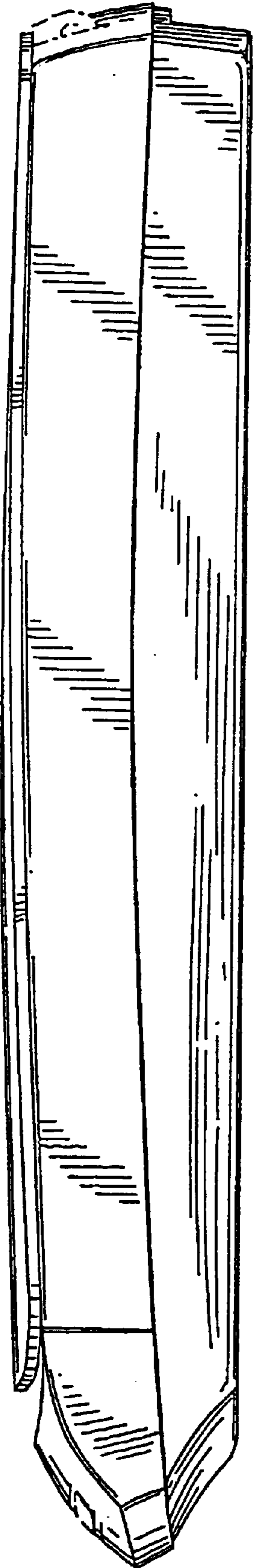


FIG. 3

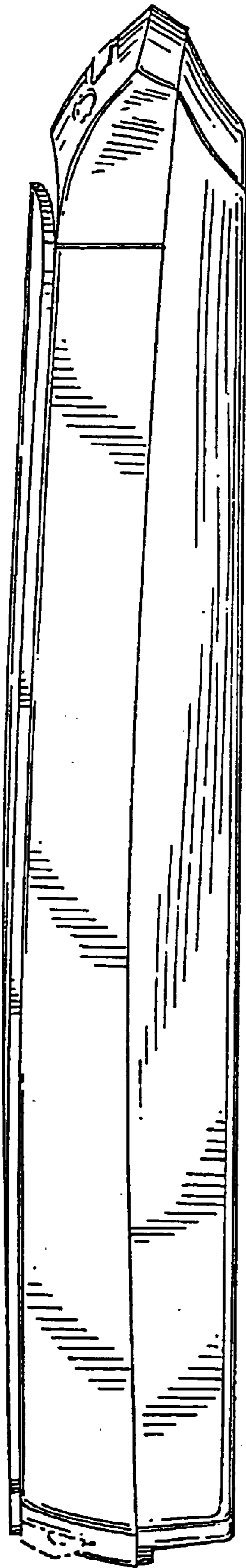


FIG. 4

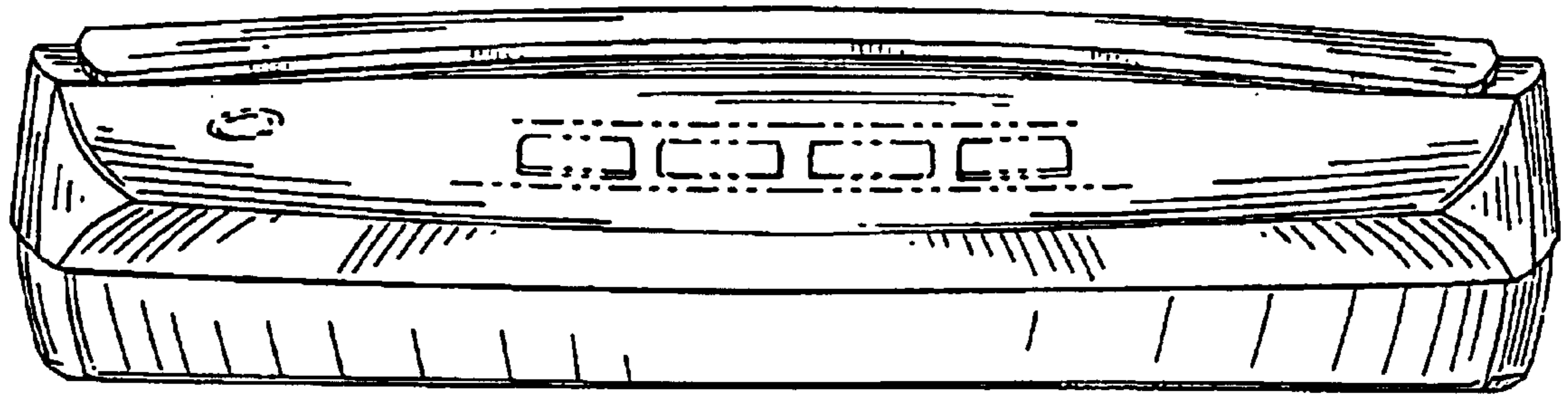


FIG. 5

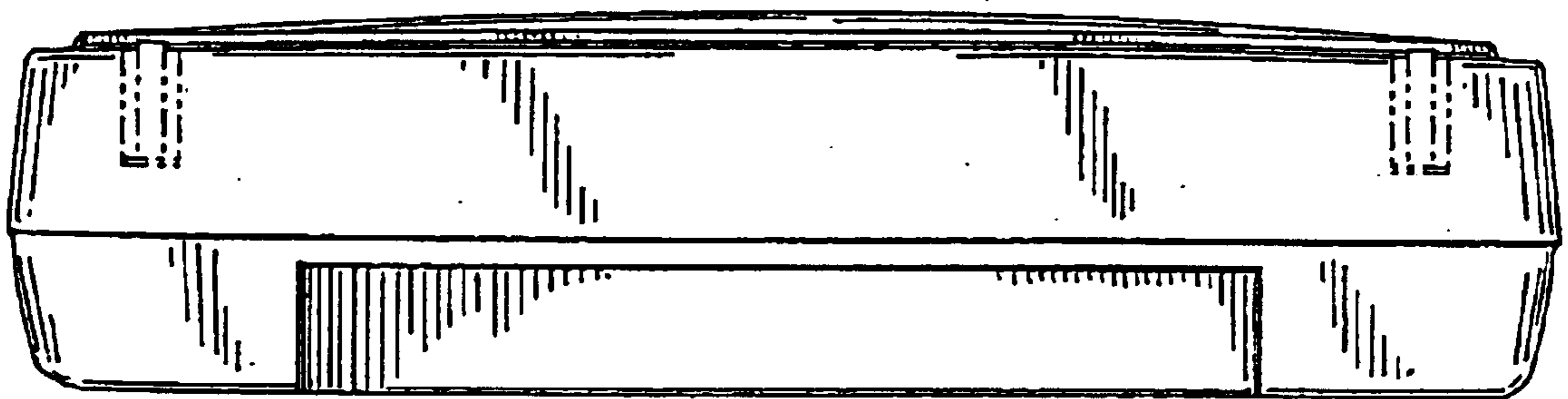


FIG. 6

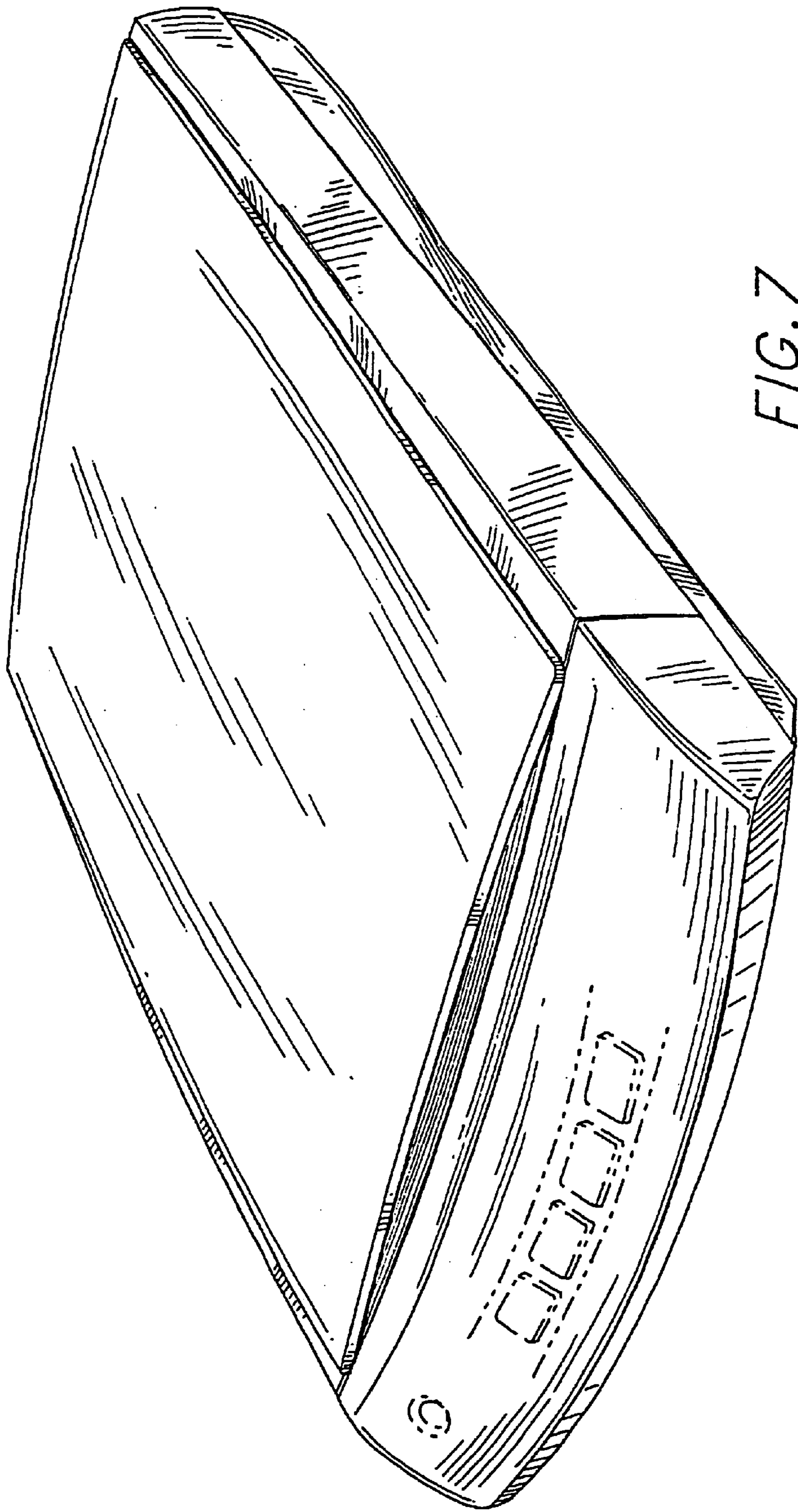


FIG. 7

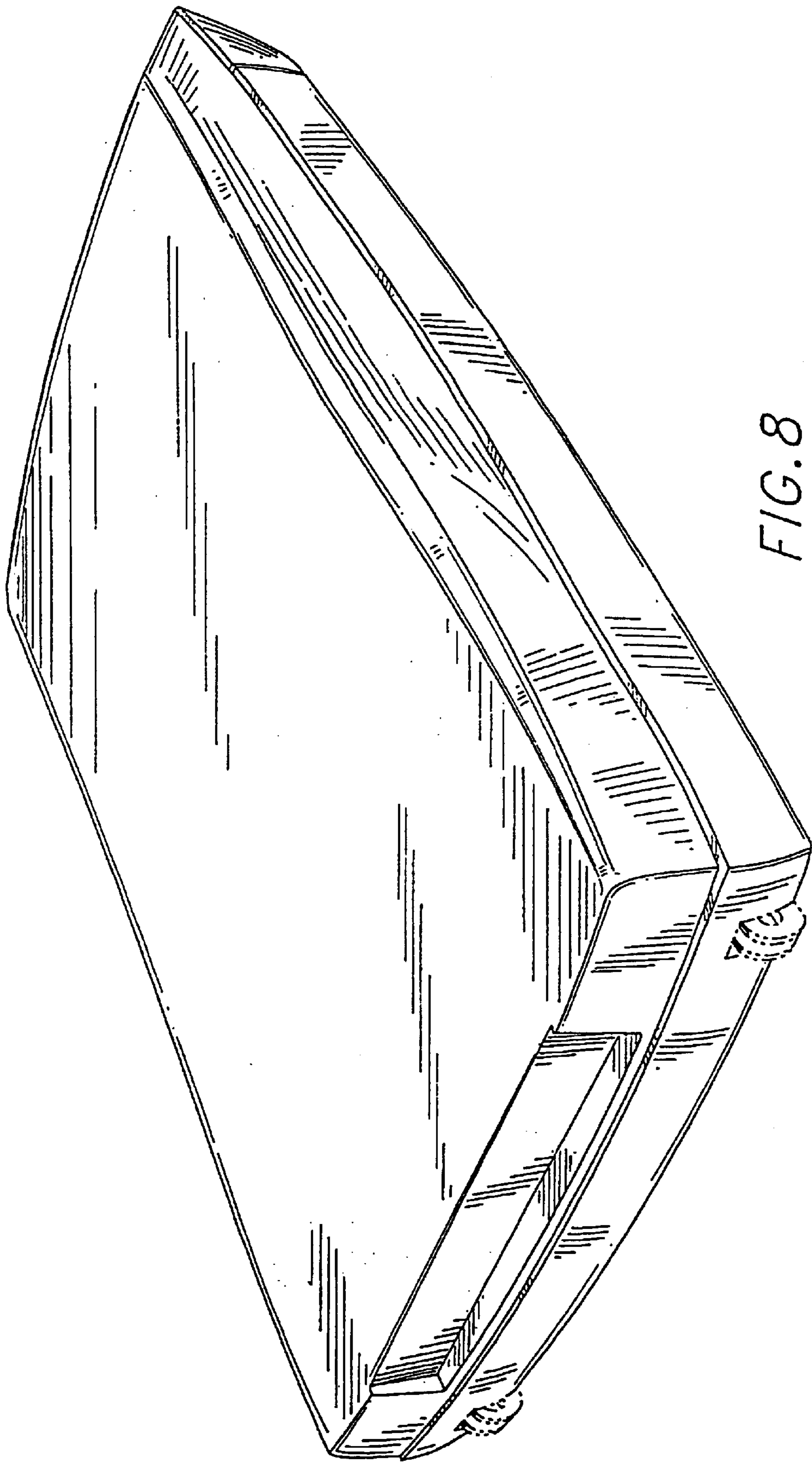


FIG. 8

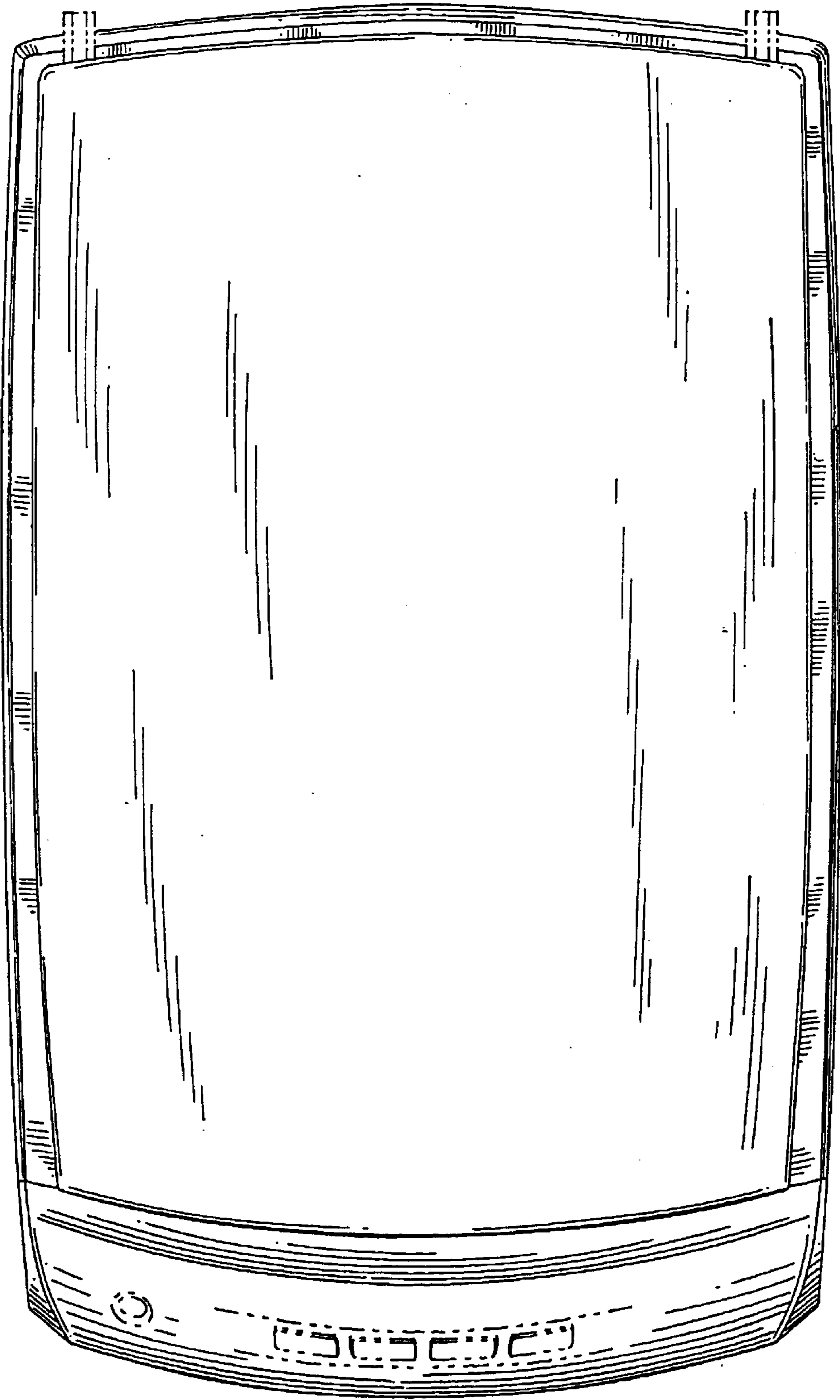


FIG. 9

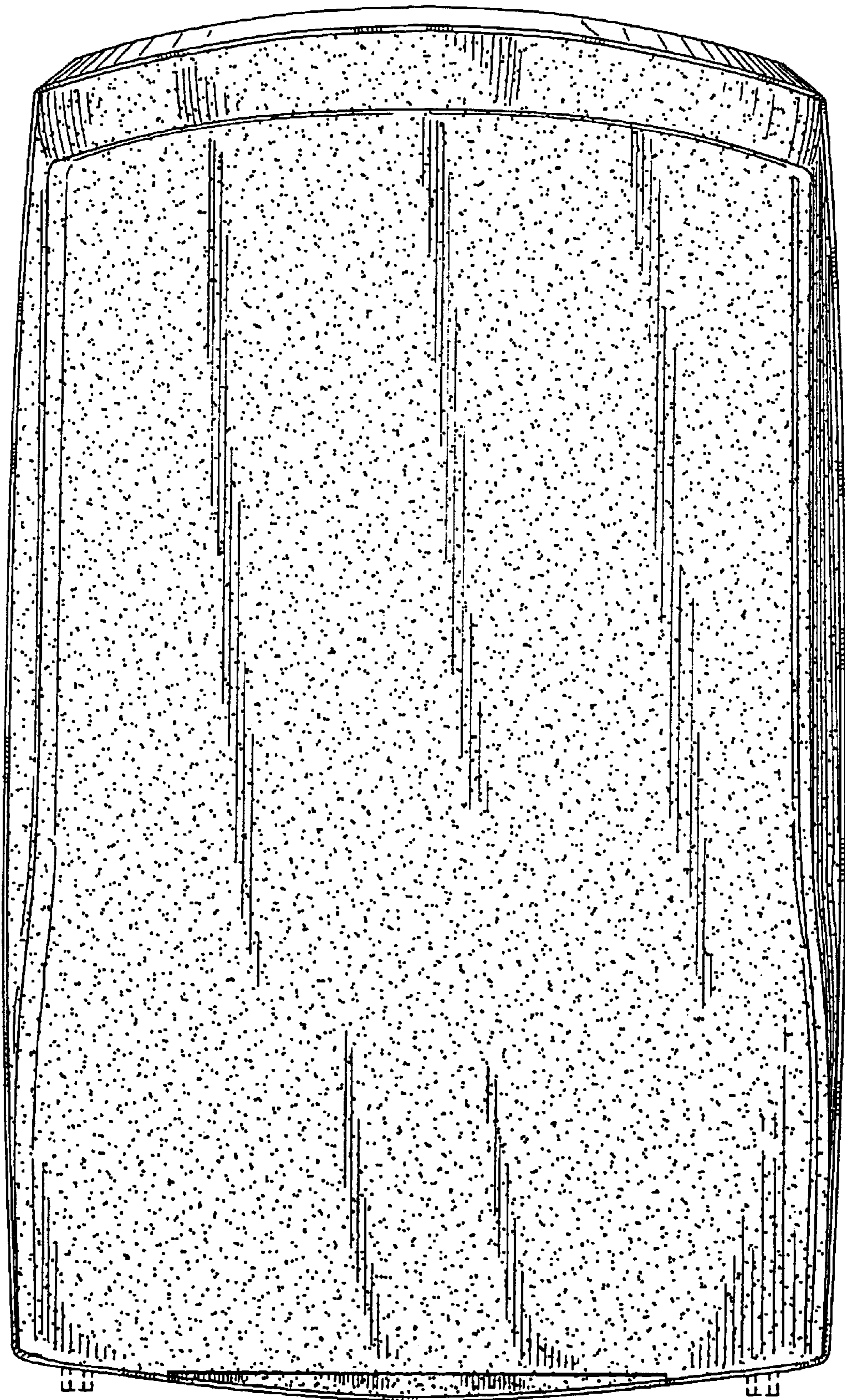


FIG. 10

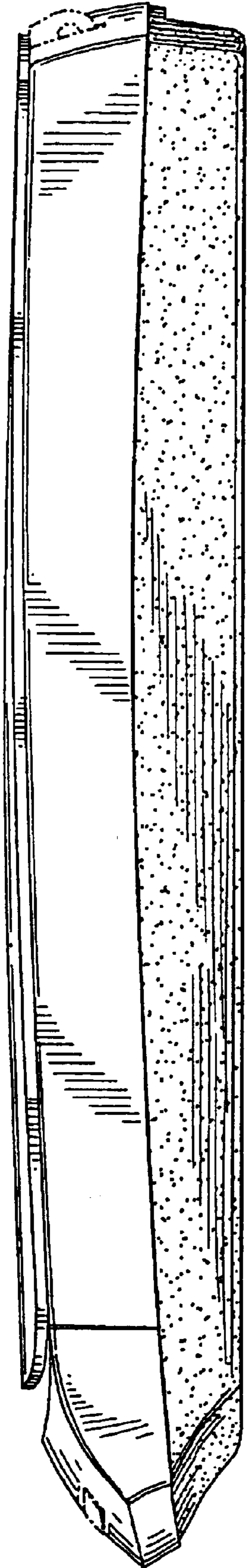


FIG. 11



FIG. 12

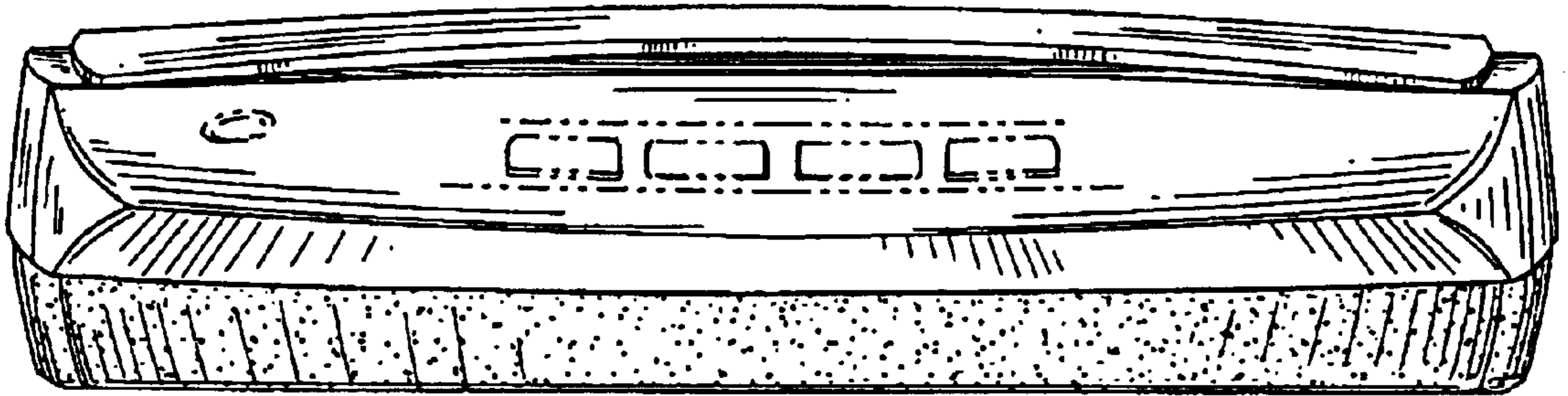


FIG. 13

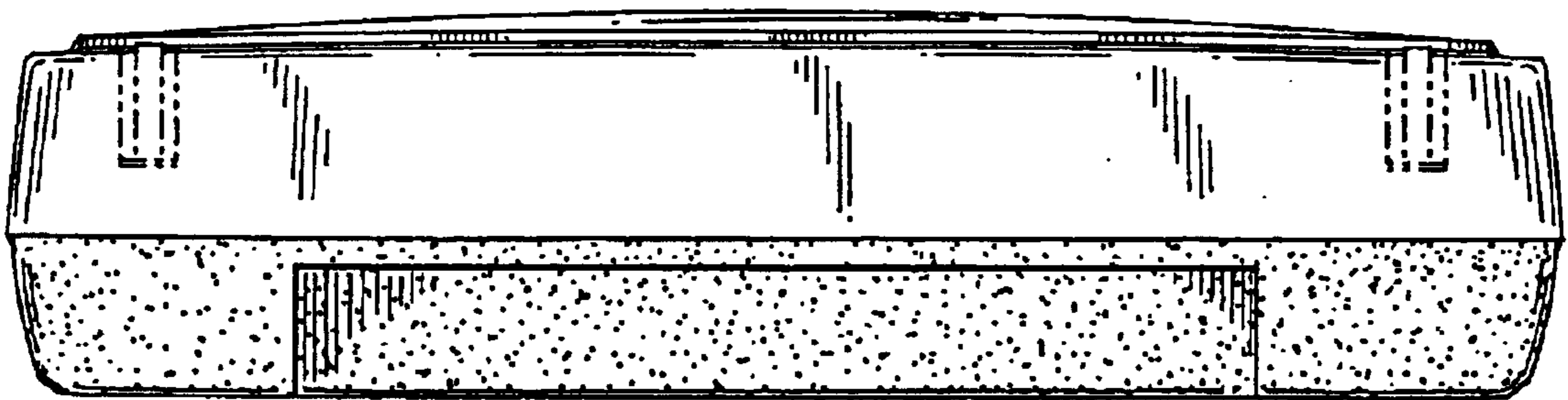


FIG. 14

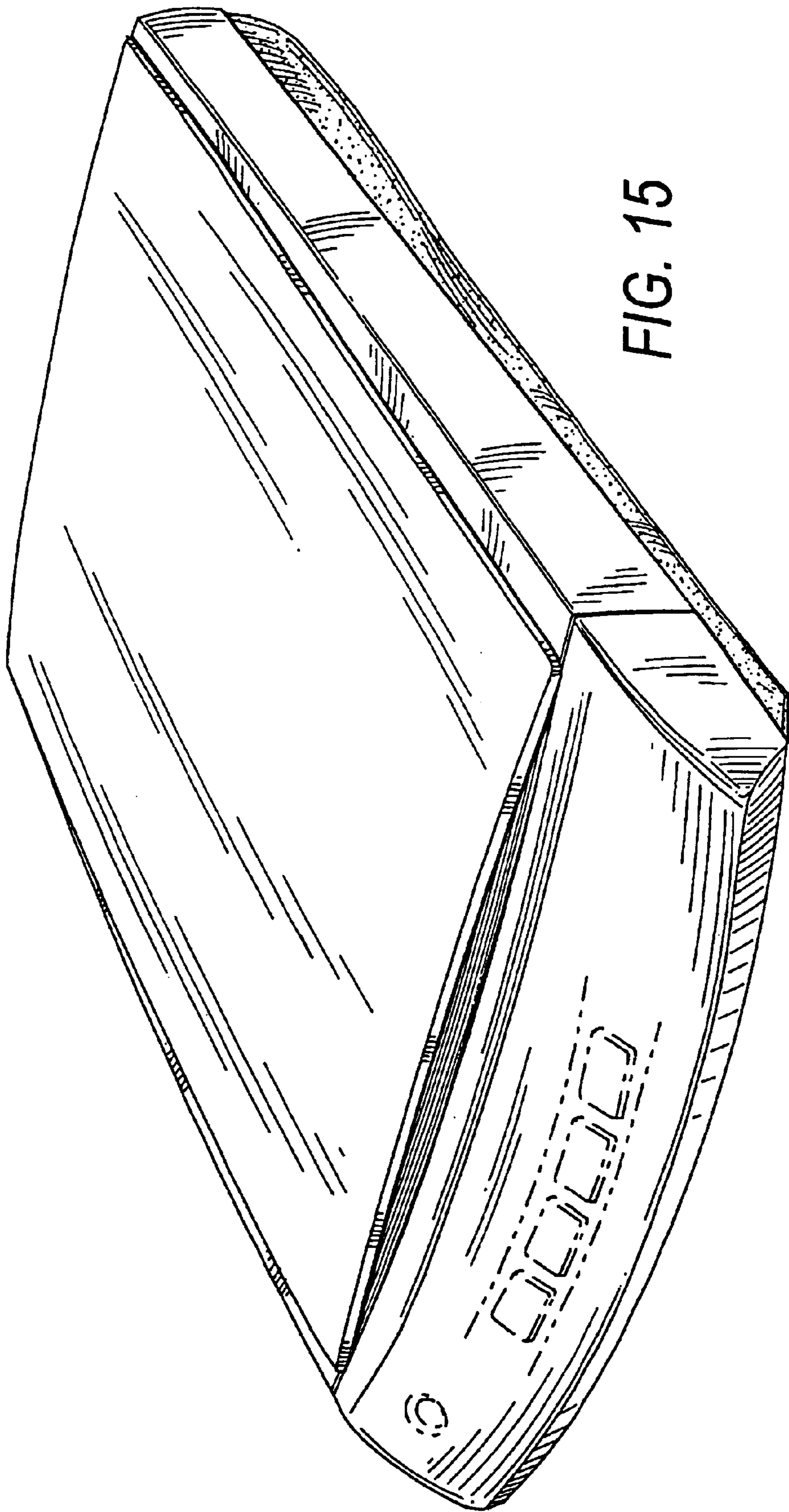


FIG. 15

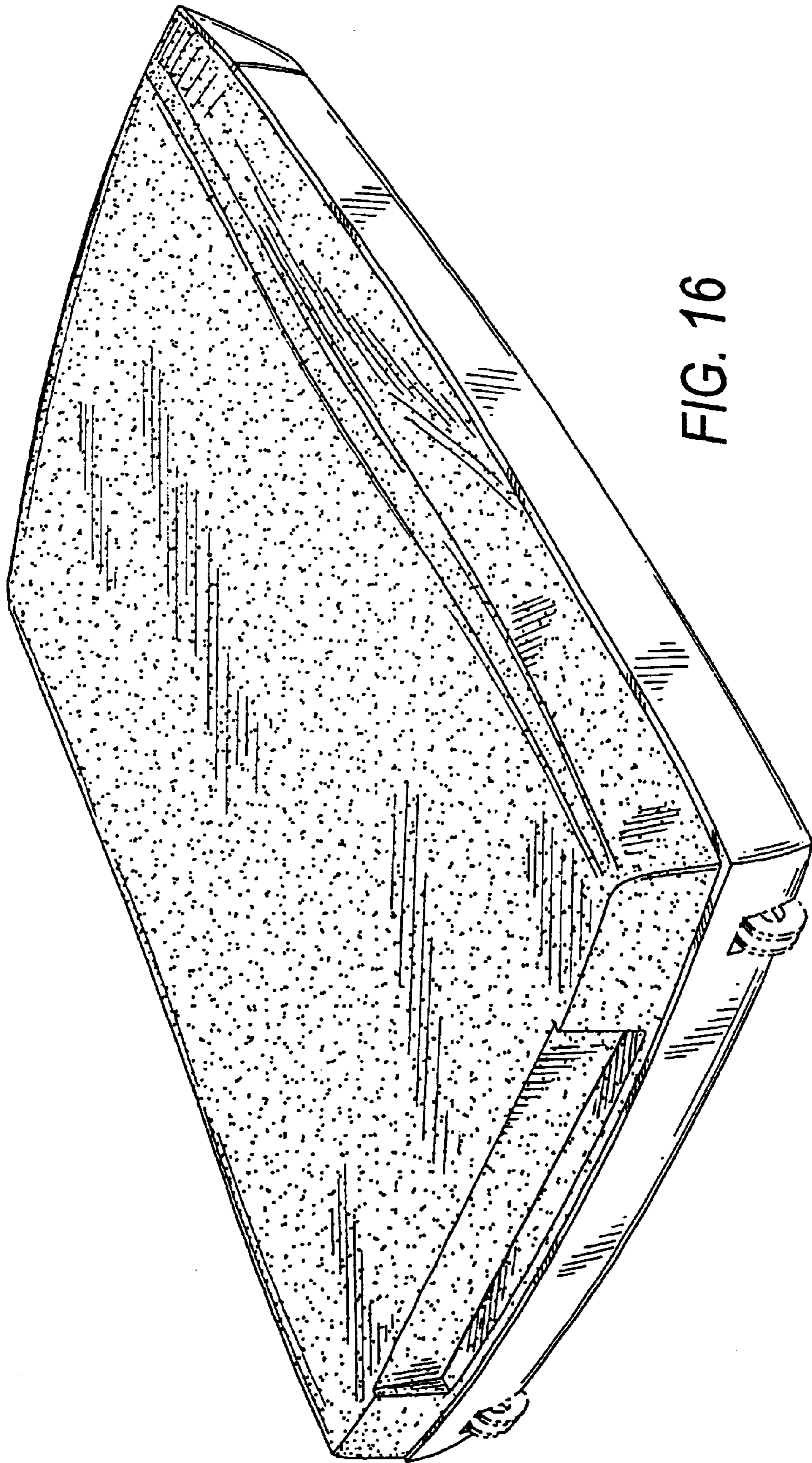


FIG. 16