



US00D480084S

(12) **United States Design Patent**
Borsboom et al.

(10) **Patent No.:** **US D480,084 S**

(45) **Date of Patent:** **** Sep. 30, 2003**

(54) **LCD DISPLAY**

(76) Inventors: **Antonious M. Borsboom**, 100 Tras Street #17-01 Amara Corporate Tower, Singapore (SG), 079; **Edwin Lord Beck**, 100 Tras Street #17-01 Amara Corporate Tower, Singapore (SG), 079; **Zheng Tang**, 100 Tras Street #17-01 Amara Corporate Tower, Singapore (SG), 079; **Lawrence Kok Chian Leong**, 100 Tras Street #17-01 Amara Corporate Tower, Singapore (SG), 079; **Daniel Tiong Hai Toh**, 100 Tras Street #17-01 Amara Corporate Tower, Singapore (SG), 079; **Brian Liong Ein Ling**, 100 Tras Street #17-01 Amara Corporate Tower, Singapore (SG), 079; **Kam Wayne Young**, 100 Tras Street #17-01 Amara Corporate Tower, Singapore (SG), 079; **Kok Keong Goh**, 100 Tras Street #17-01 Amara Corporate Tower, Singapore (SG), 079; **Yann Mabile**, 100 Tras Street #17-01 Amara Corporate Tower, Singapore (SG), 079; **Shi-Kuan Chen**, Rm E-1, 13F, 168 Tun Hua N. Rd., Taipei (TW); **Markus Wierzoch**, Rm E-1, 13F, 168 Tun Hua N. Rd., Taipei (TW); **Jason Ching-Hsin Yang**, Rm E-1, 13F, 168 Tun Hua N. Rd., Taipei (TW)

(**) Term: **14 Years**

(21) Appl. No.: **29/160,614**

(22) Filed: **May 14, 2002**

(51) **LOC (7) Cl.** **14-02**

(52) **U.S. Cl.** **D14/374**

(58) **Field of Search** D14/371, 374, D14/375, 376, 125-129, 344; 248/917-924; 345/104, 156, 168, 173; 348/180, 184; 349/1, 2, 11, 62; D10/30-32, 38; D16/202

(56) **References Cited**

U.S. PATENT DOCUMENTS

D376,136 S	*	12/1996	Wilson	D14/374
5,708,458 A	*	1/1998	Vrbanac	345/156
D393,838 S	*	4/1998	Pandolfi	D14/374
D451,116 S	*	11/2001	Kono et al.	D16/202
D453,153 S	*	1/2002	Yu et al.	D14/240

* cited by examiner

Primary Examiner—Freda Nunn

(74) *Attorney, Agent, or Firm*—Merchant & Gould; Tim Tingkang Xia

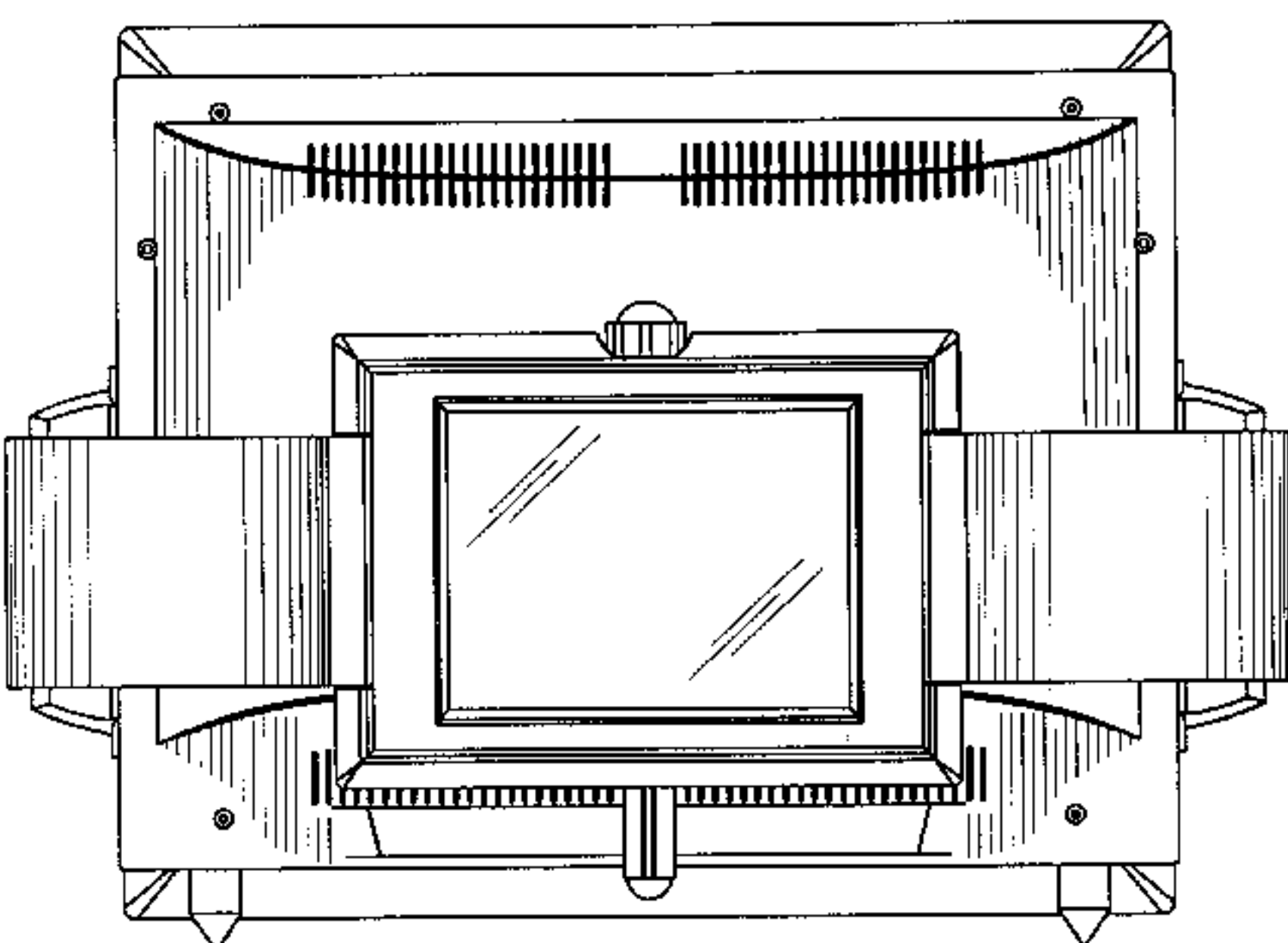
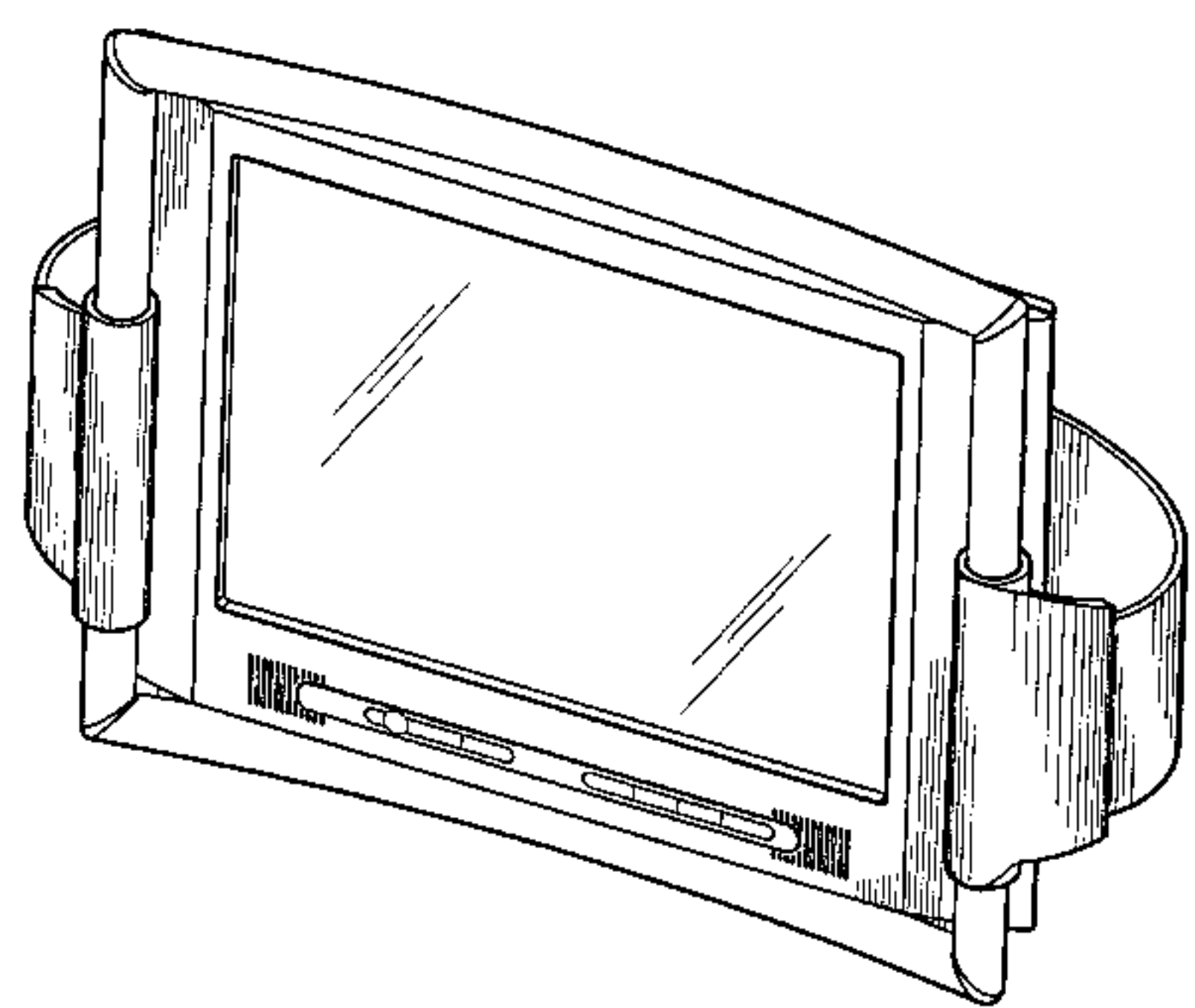
(57) **CLAIM**

The ornamental design for an LCD display, as shown and described.

DESCRIPTION

FIG. 1 is a front perspective view thereof;
FIG. 2 is a right side elevational view thereof;
FIG. 3 is a top plane view thereof;
FIG. 4 is a front elevational view thereof;
FIG. 5 is a bottom plane view thereof;
FIG. 6 is a left side elevational view thereof; and,
FIG. 7 is a rear elevational view thereof.

1 Claim, 7 Drawing Sheets



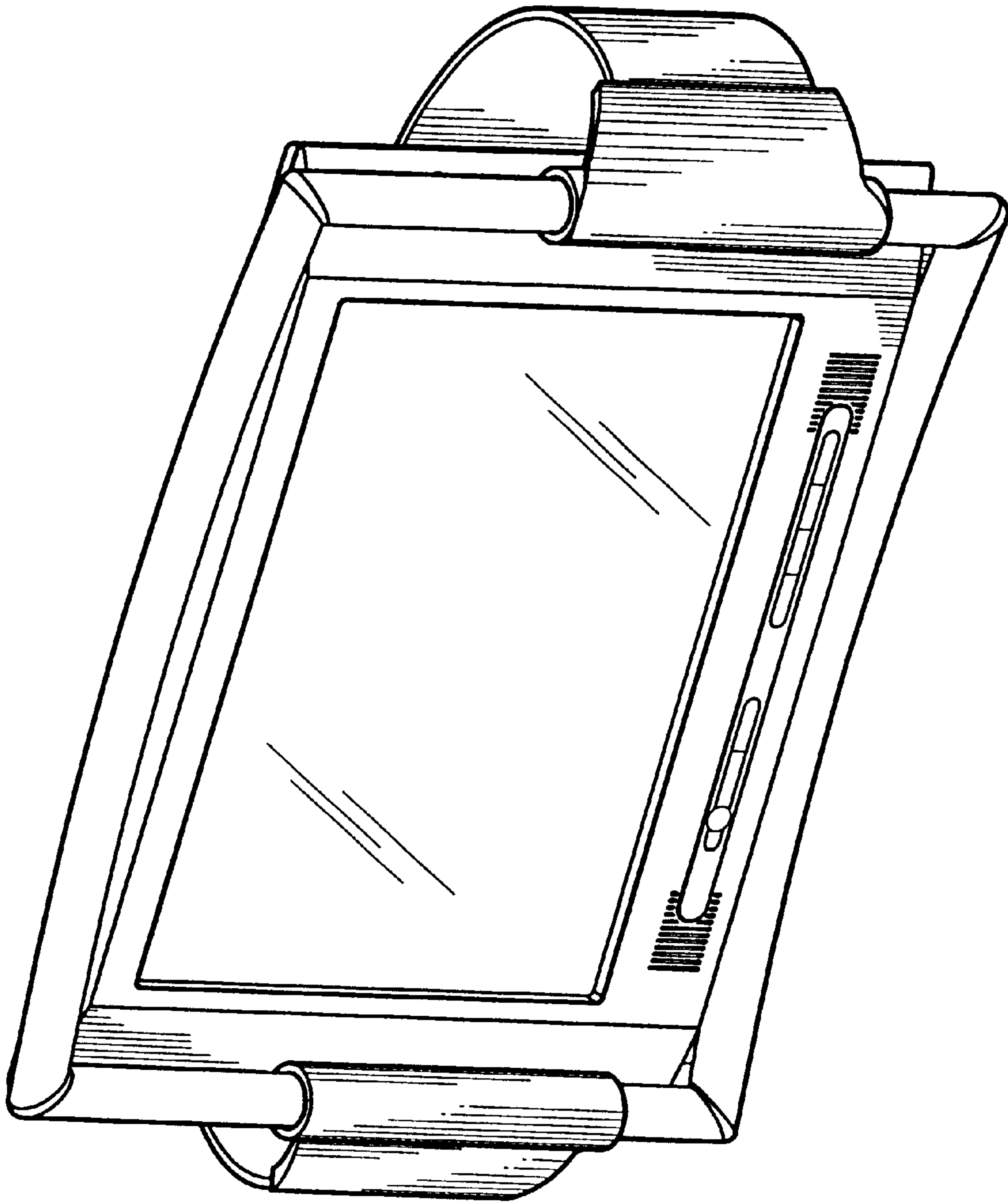


FIG. 1

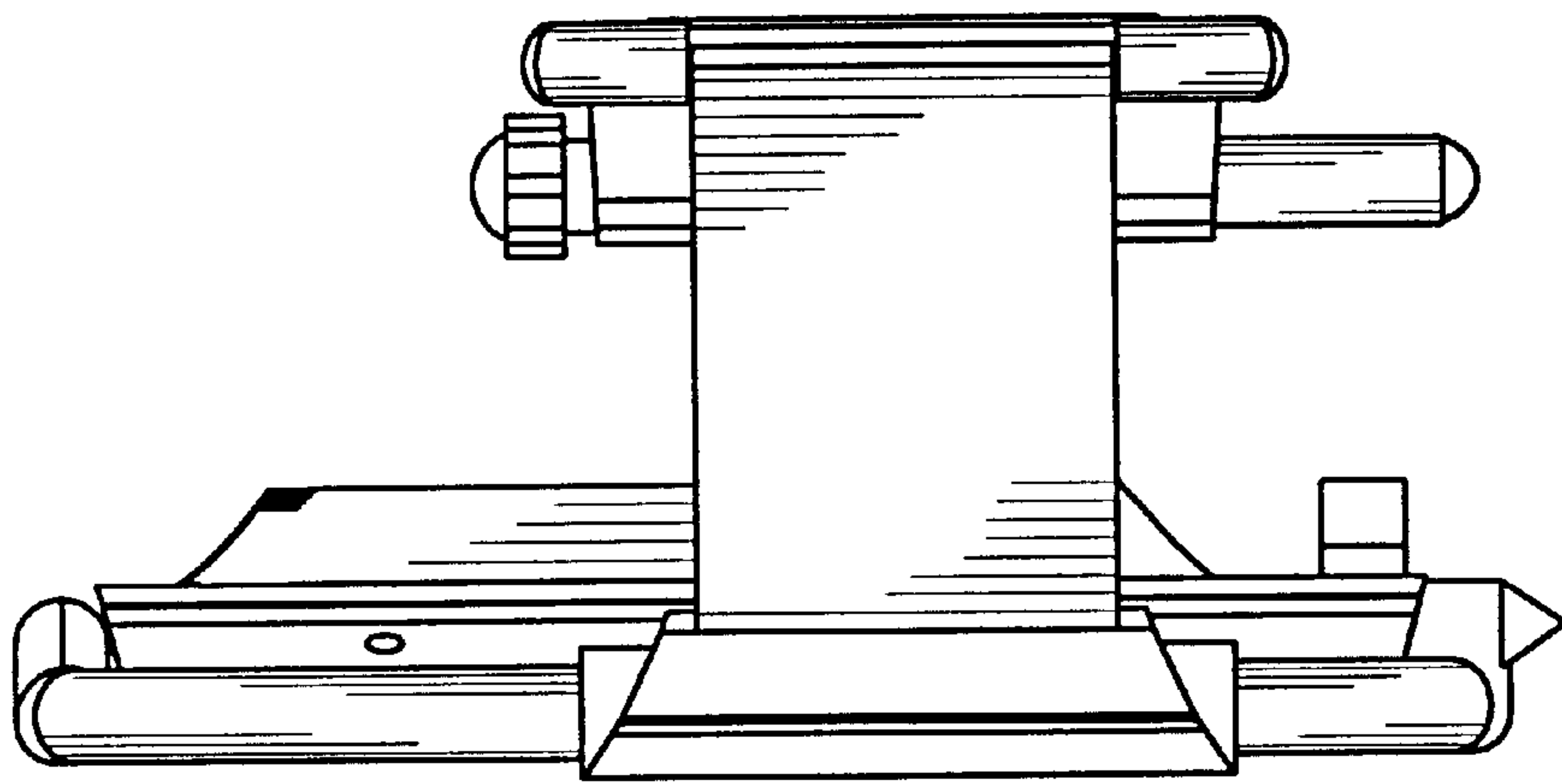


FIG. 2

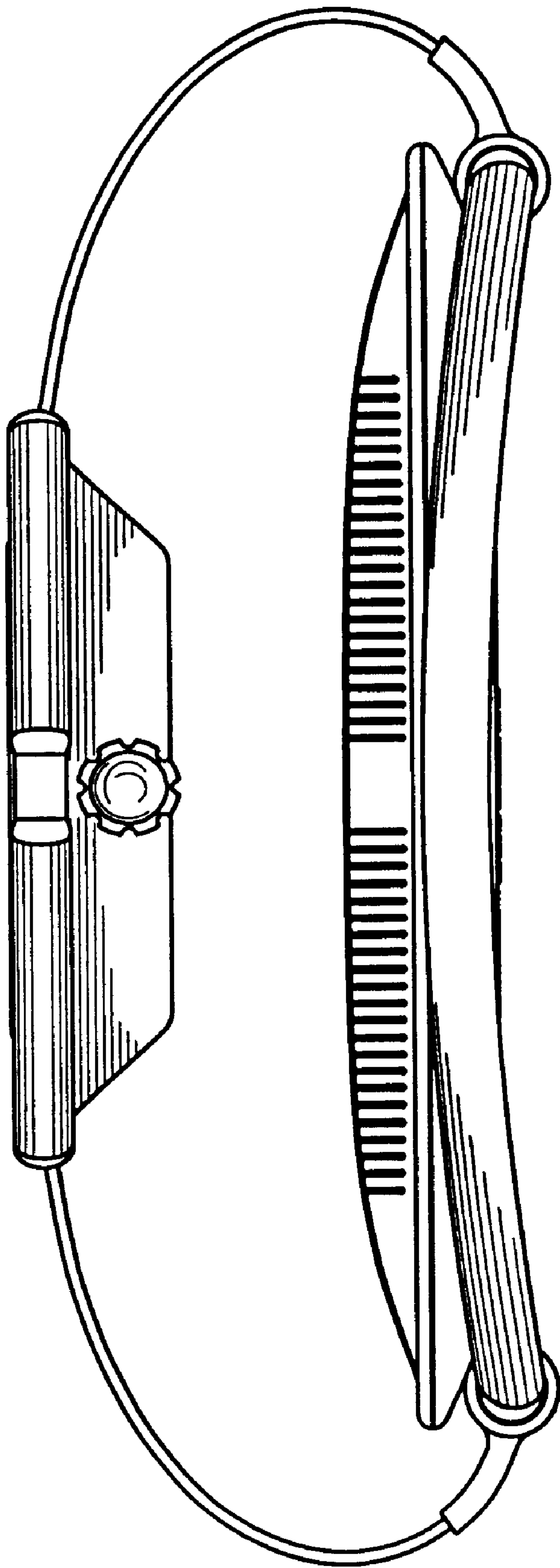


FIG. 3

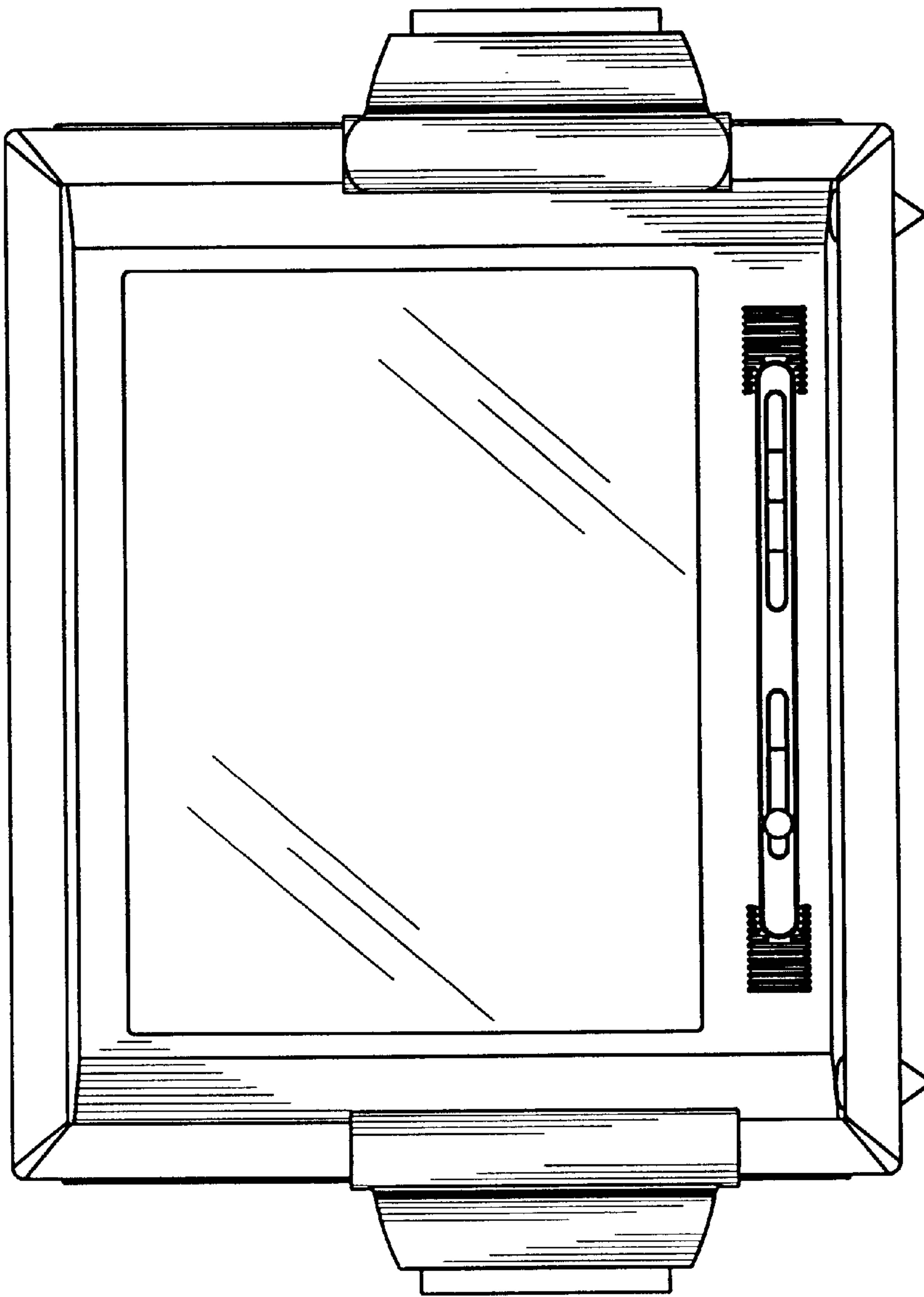


FIG. 4

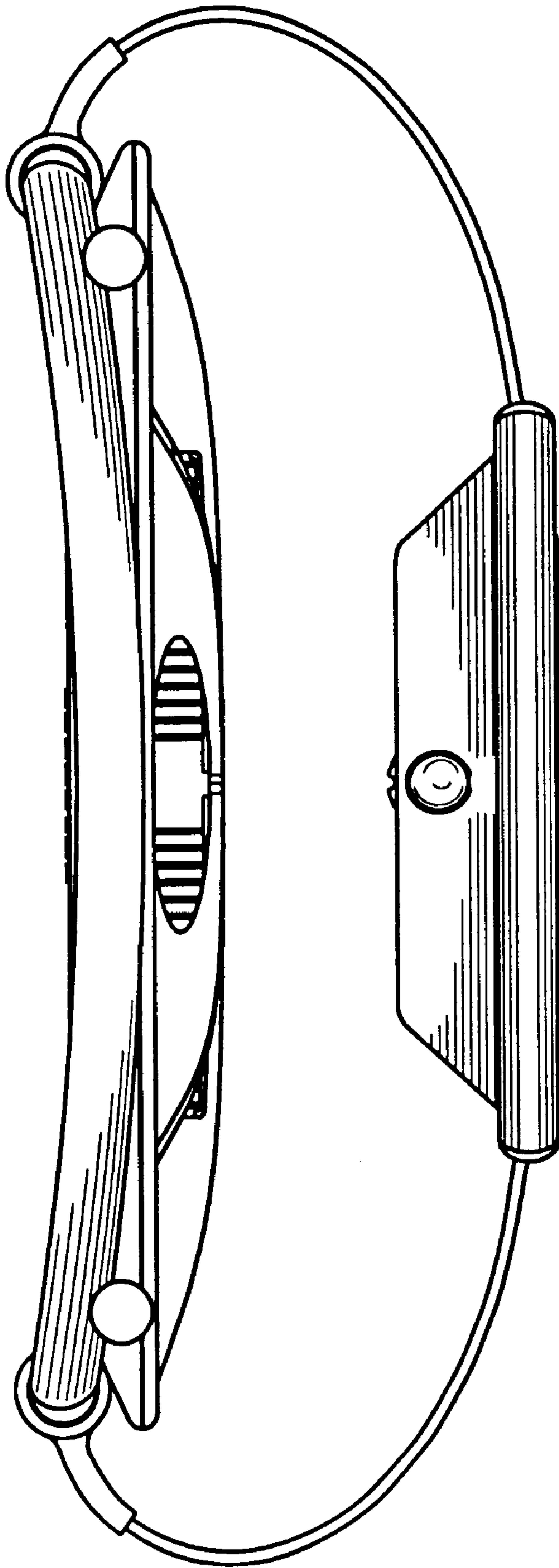


FIG. 5

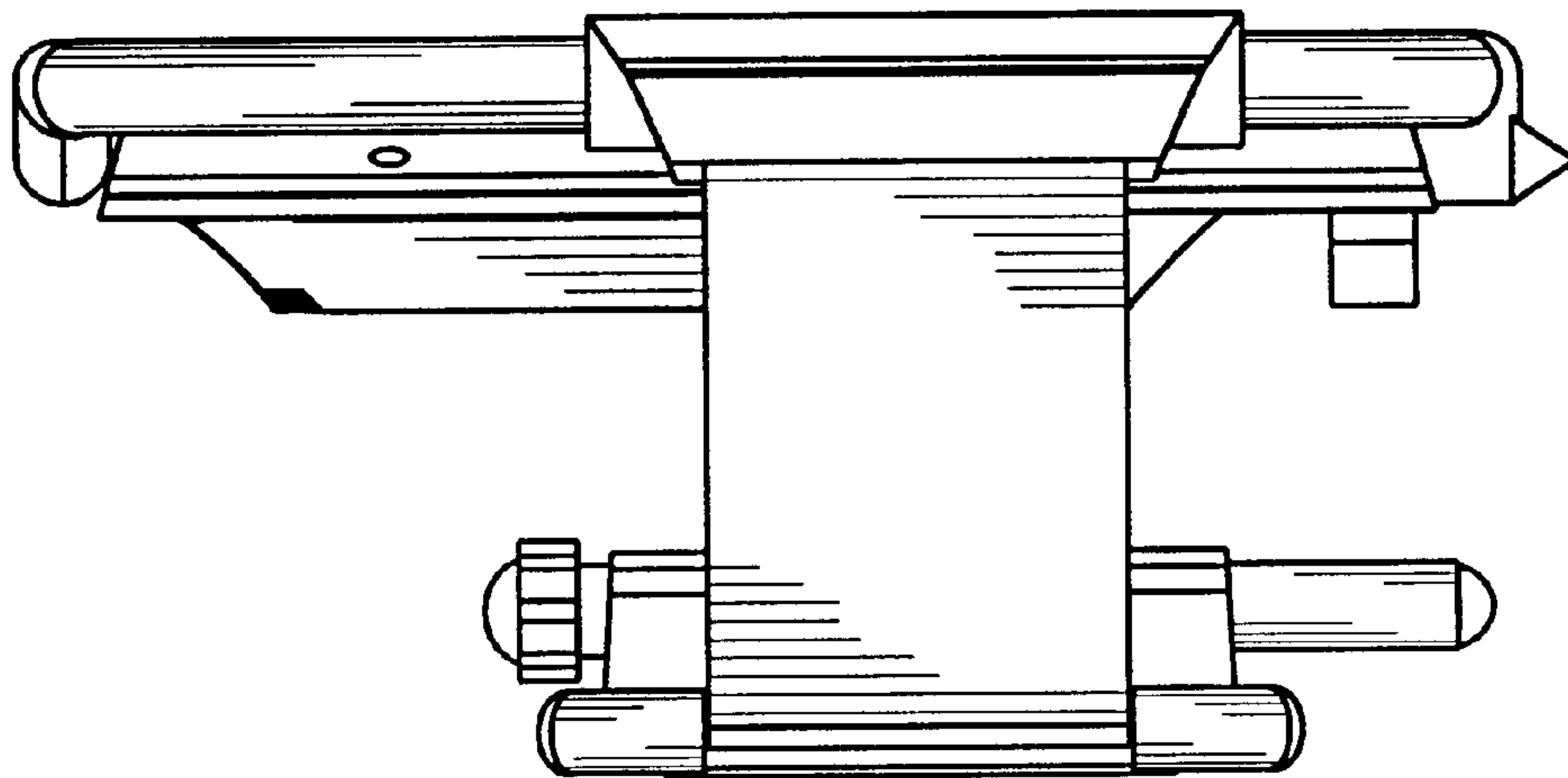


FIG. 6

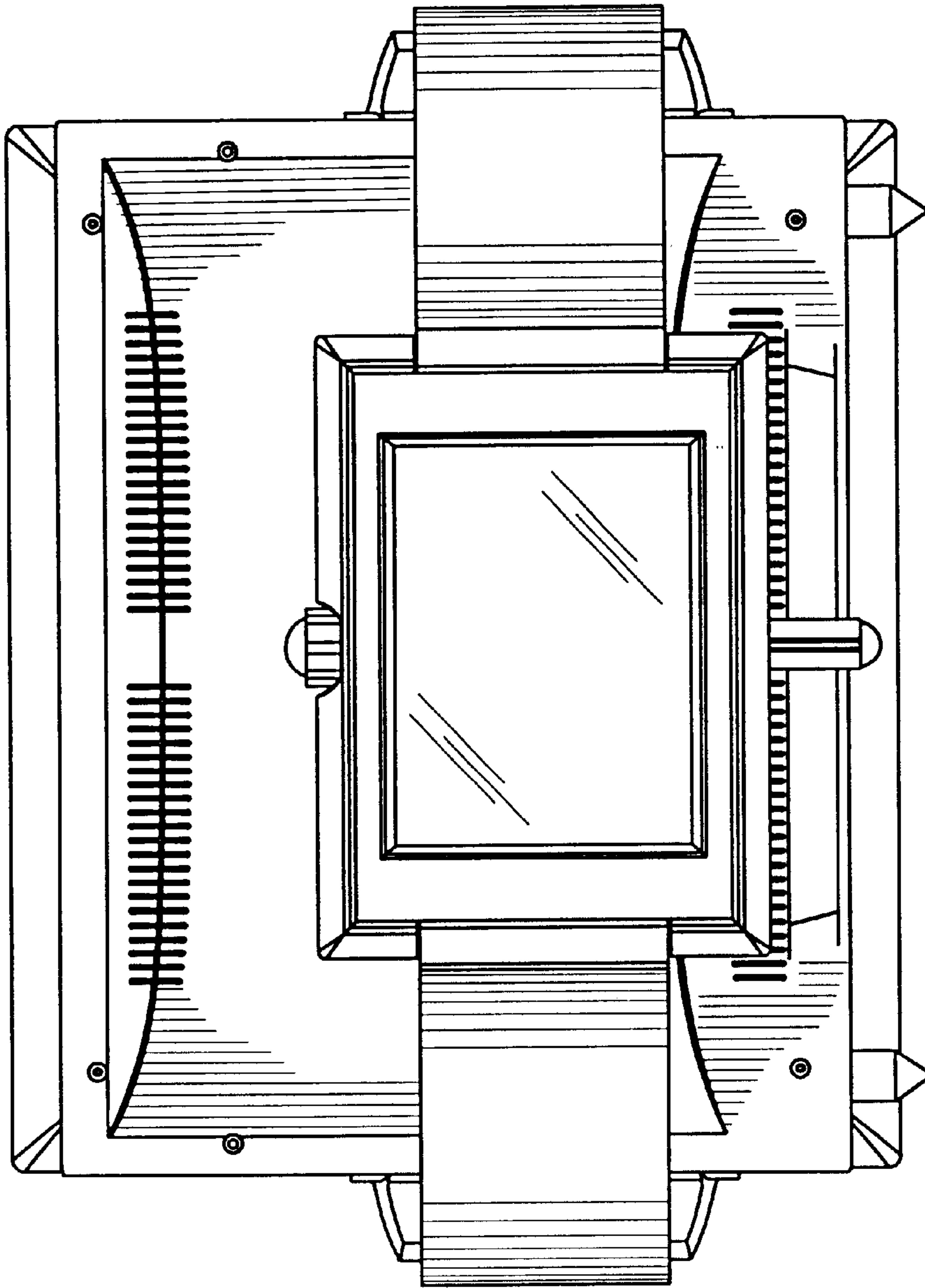


FIG. 7